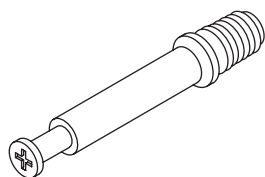
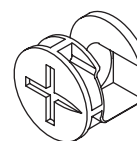


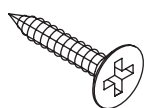
13 xA



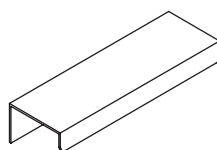
12 xB



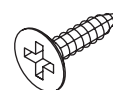
12 xC



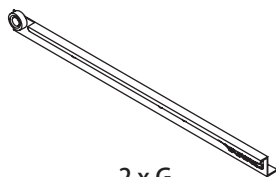
4 x D



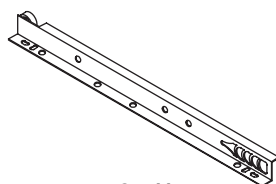
2 x E



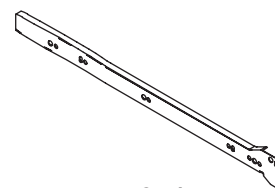
16 xF
Screw



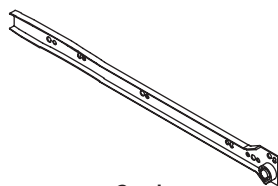
2 x G



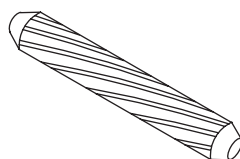
2 x H



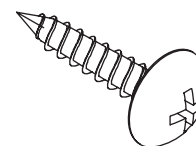
2 x I



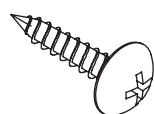
2 x J



8 x K



16 x L



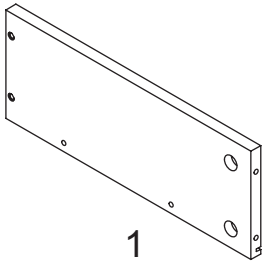
1 x M



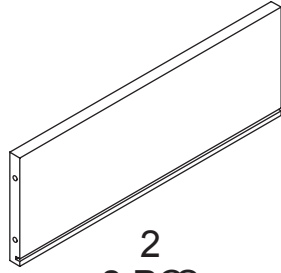
1 x N



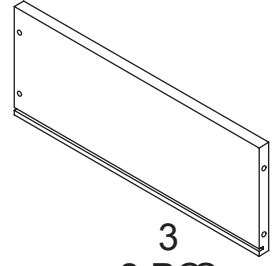
1 x O



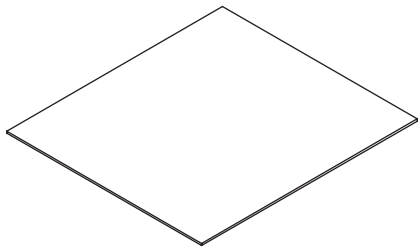
1
2 PCS



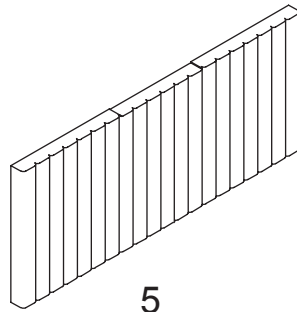
2
2 PCS



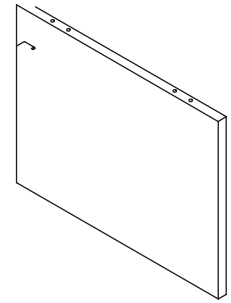
3
2 PCS



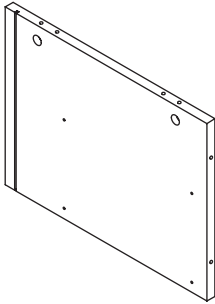
4
2 PCS



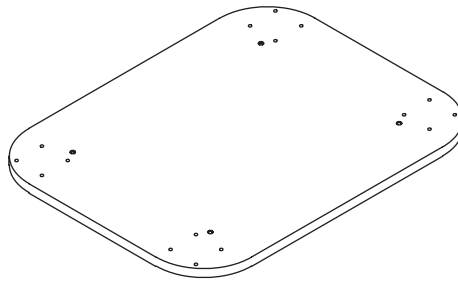
5
2 PCS



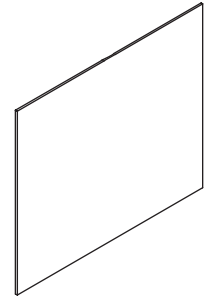
6
1 PC



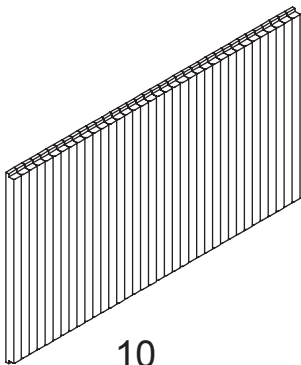
7
1 PC



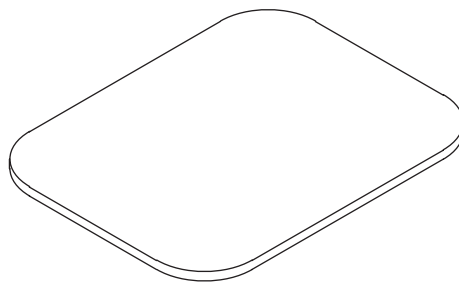
8
1 PC



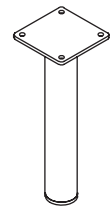
9
1 PC



10
2 PCS

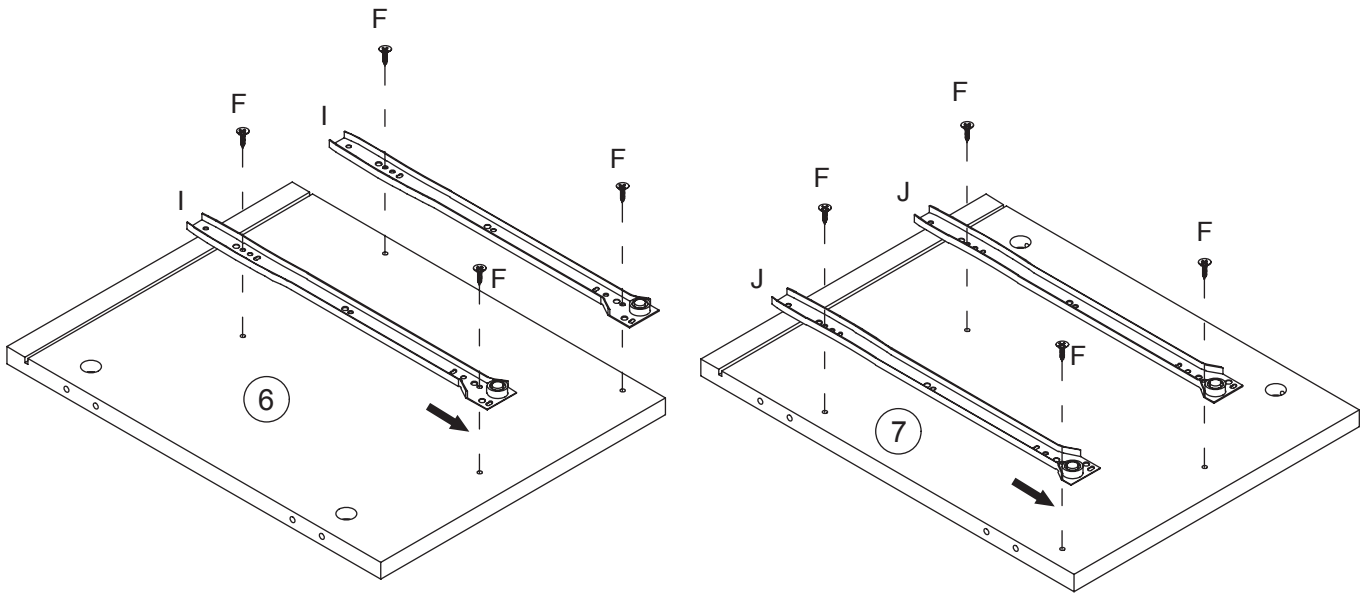


11
1 PC

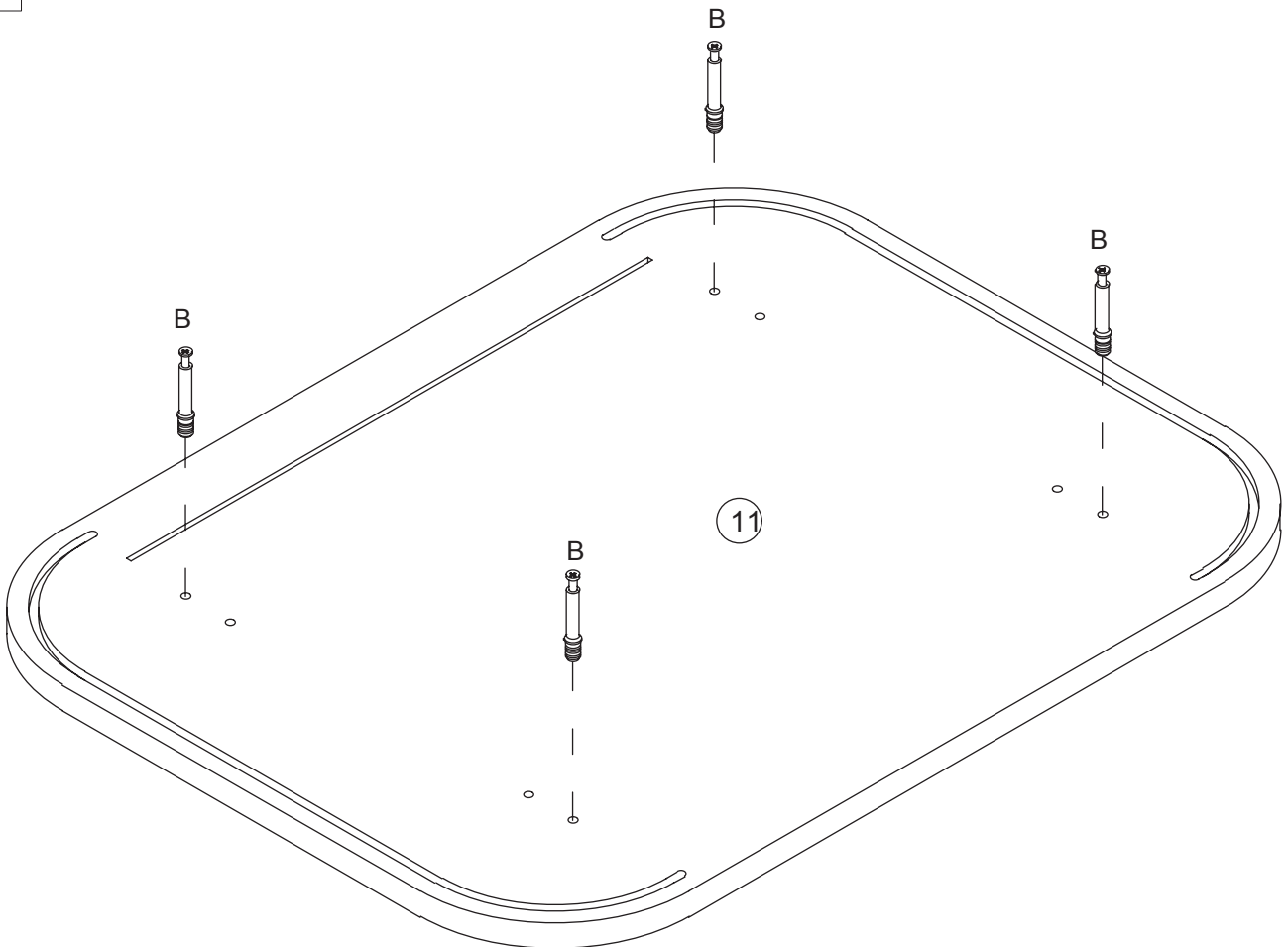


12
4 PCS

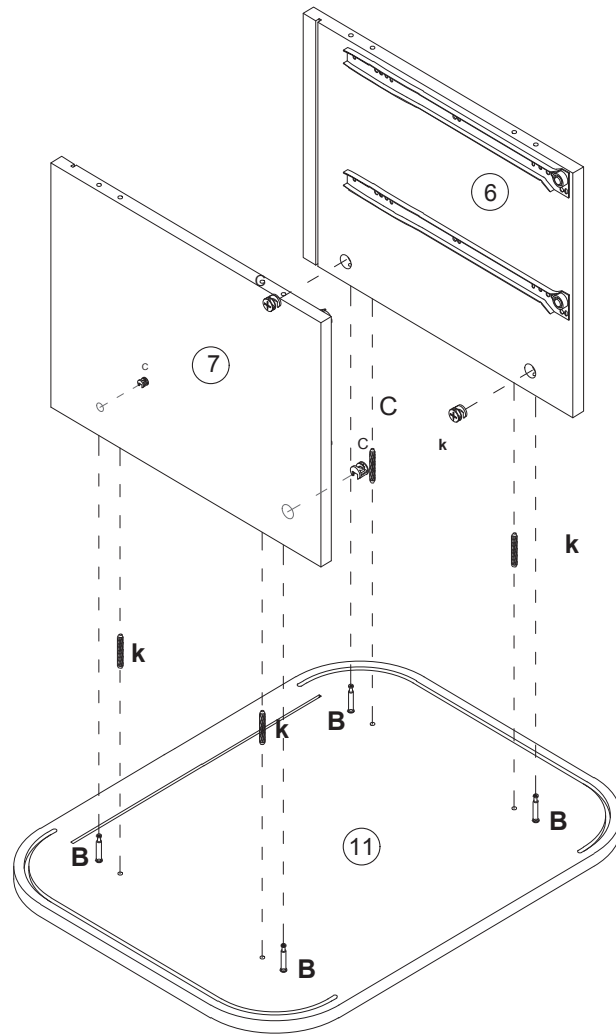
1



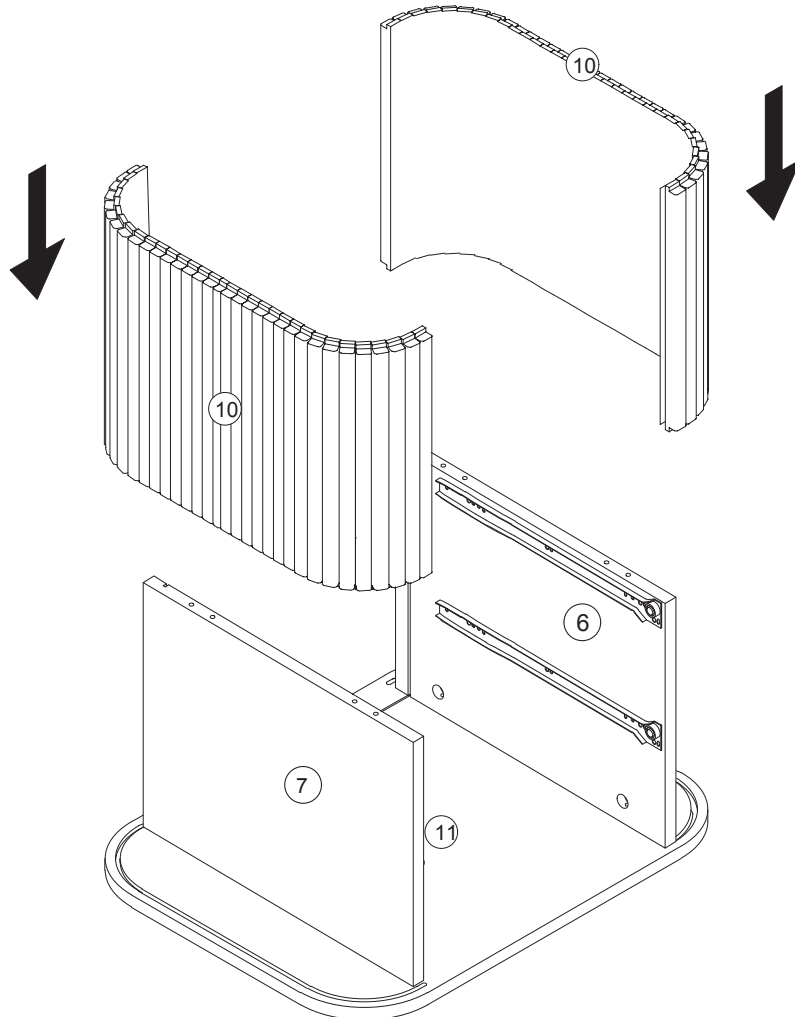
2

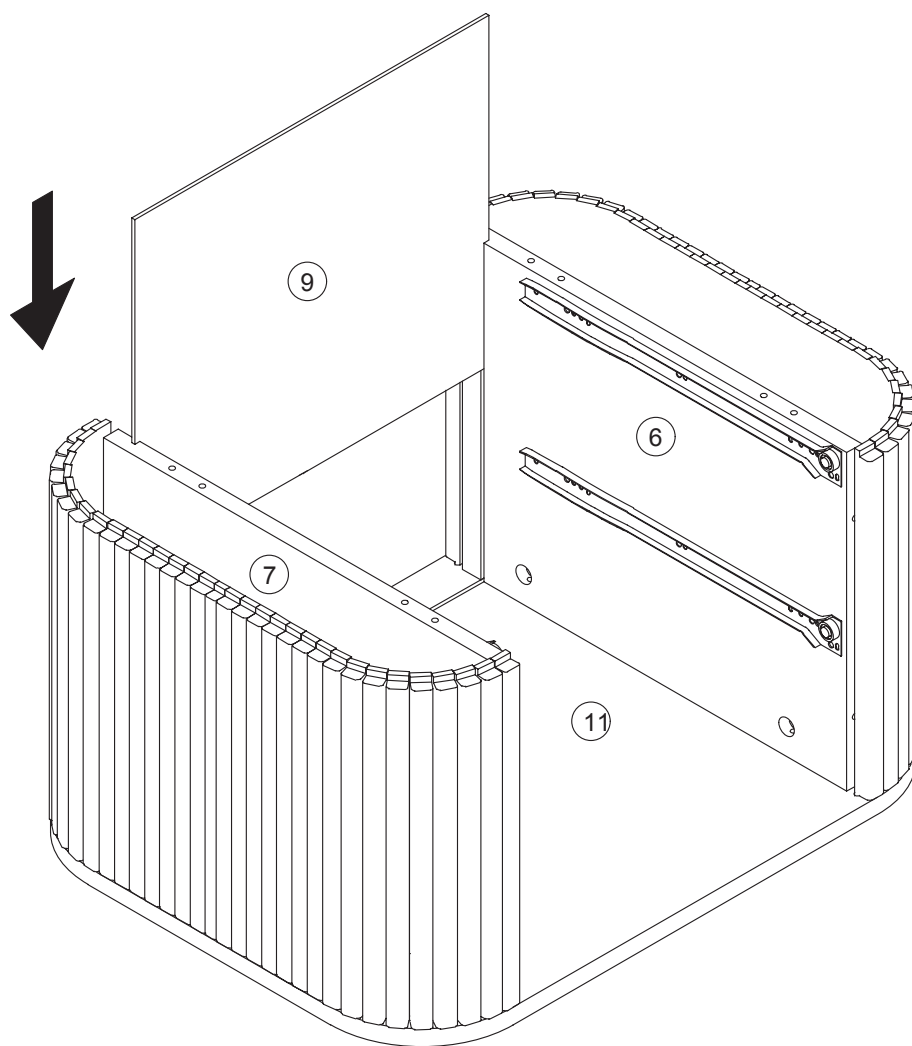


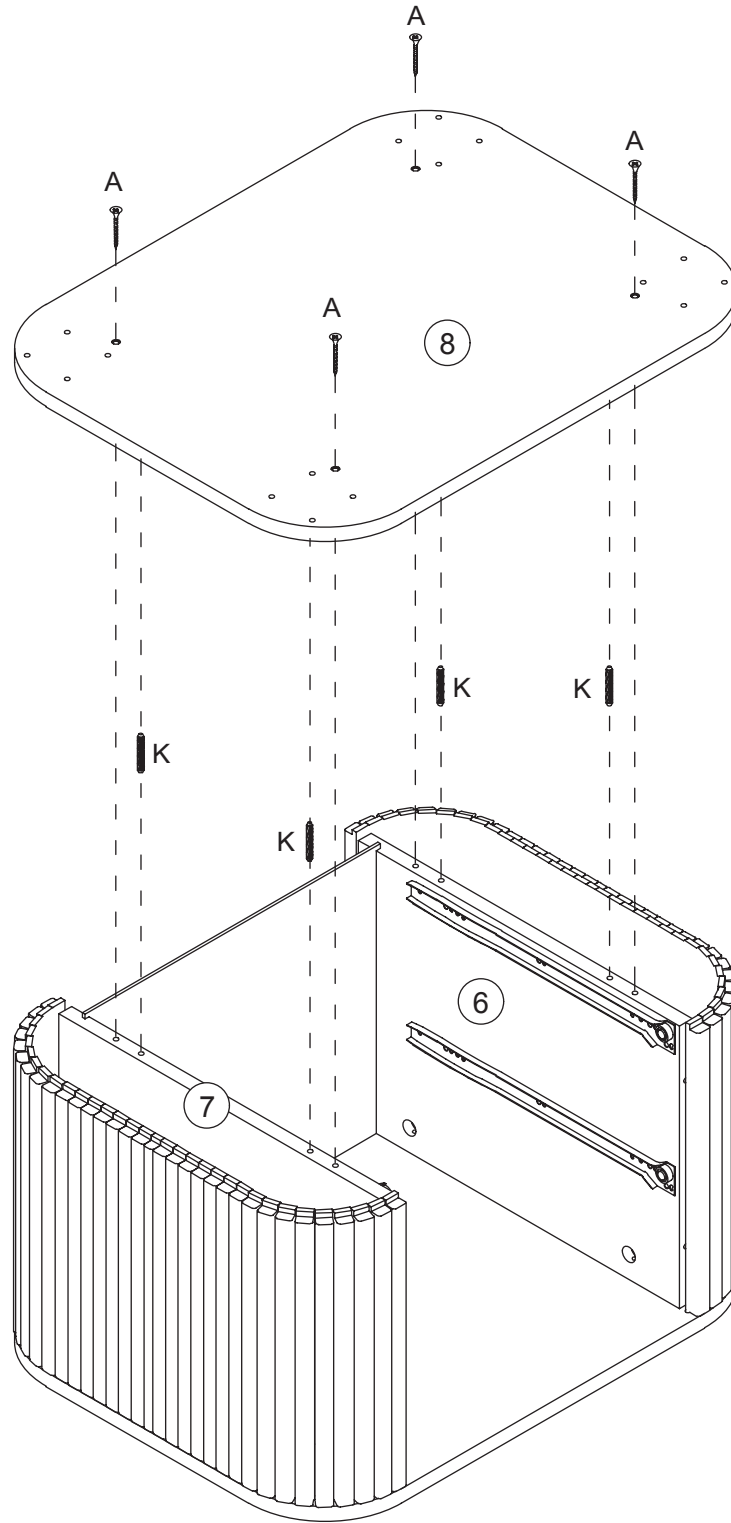
3

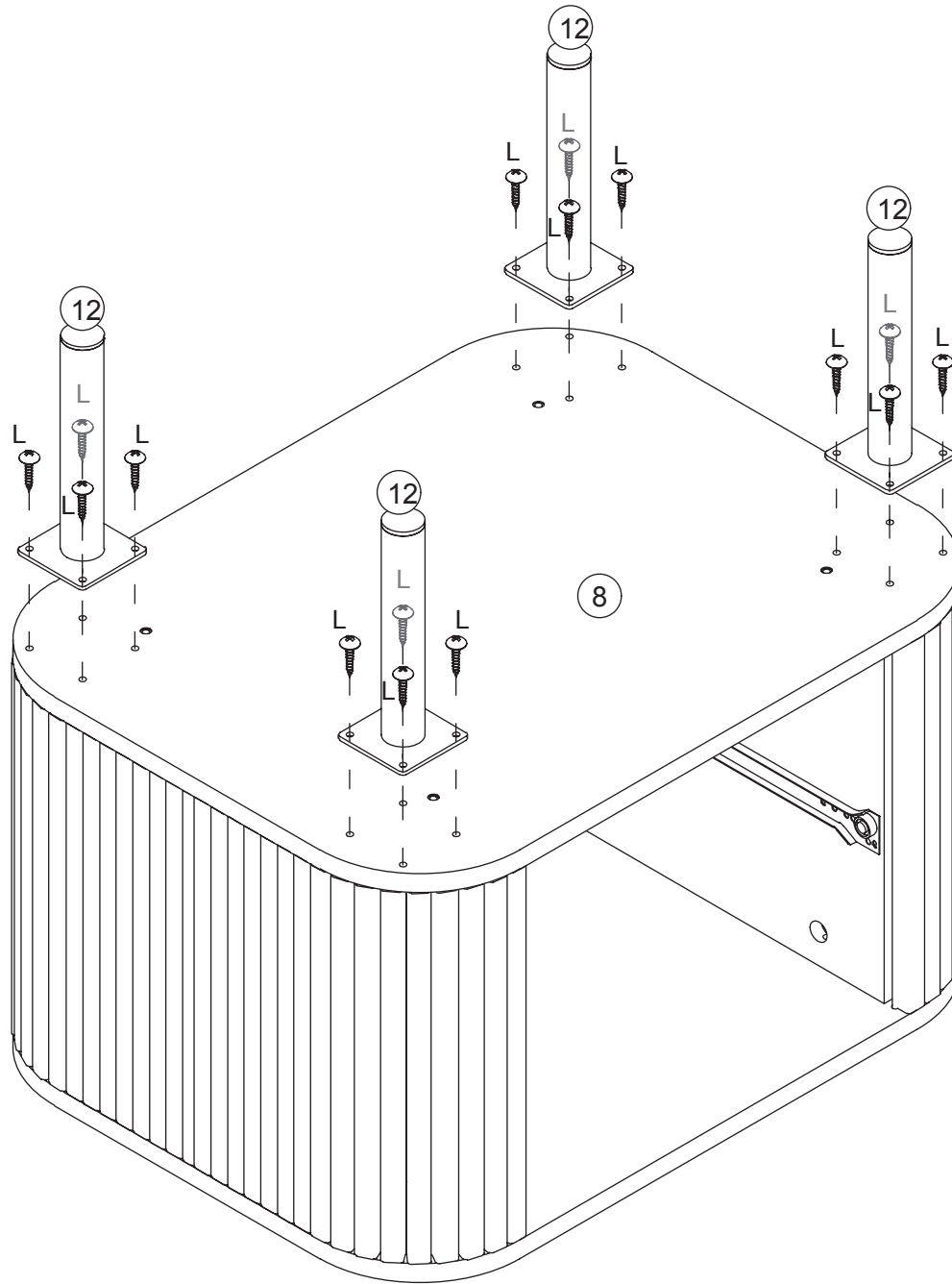


4

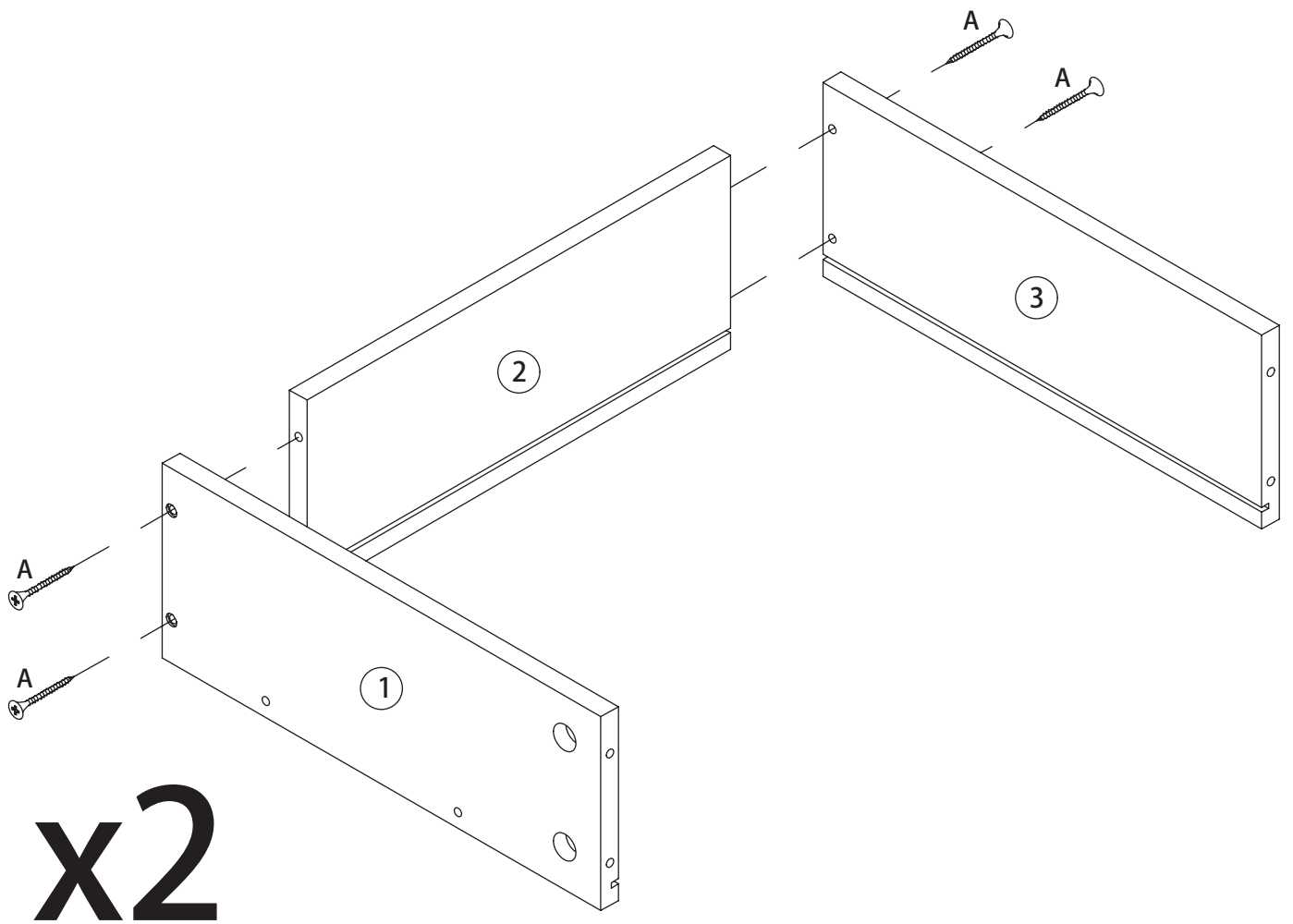




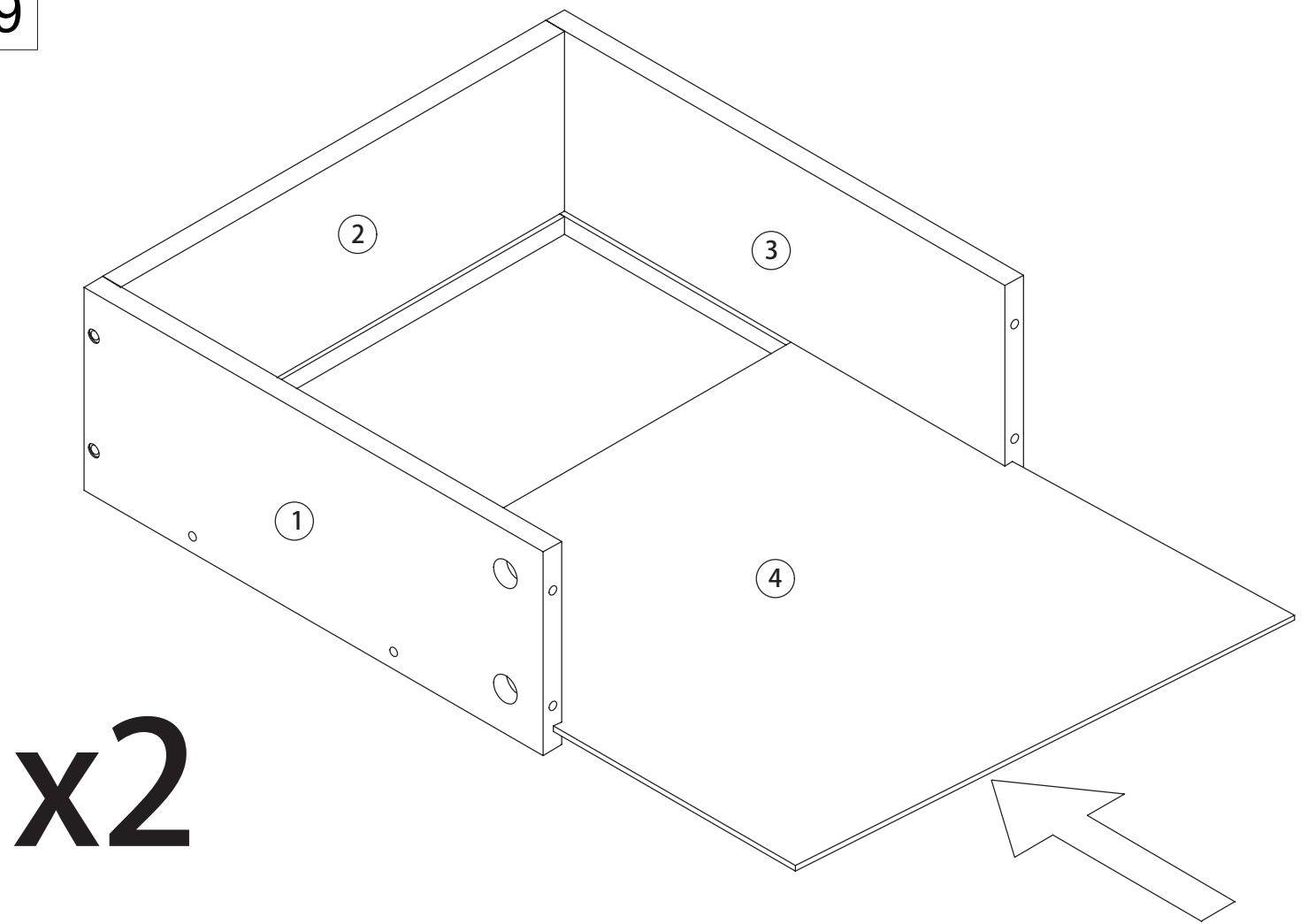




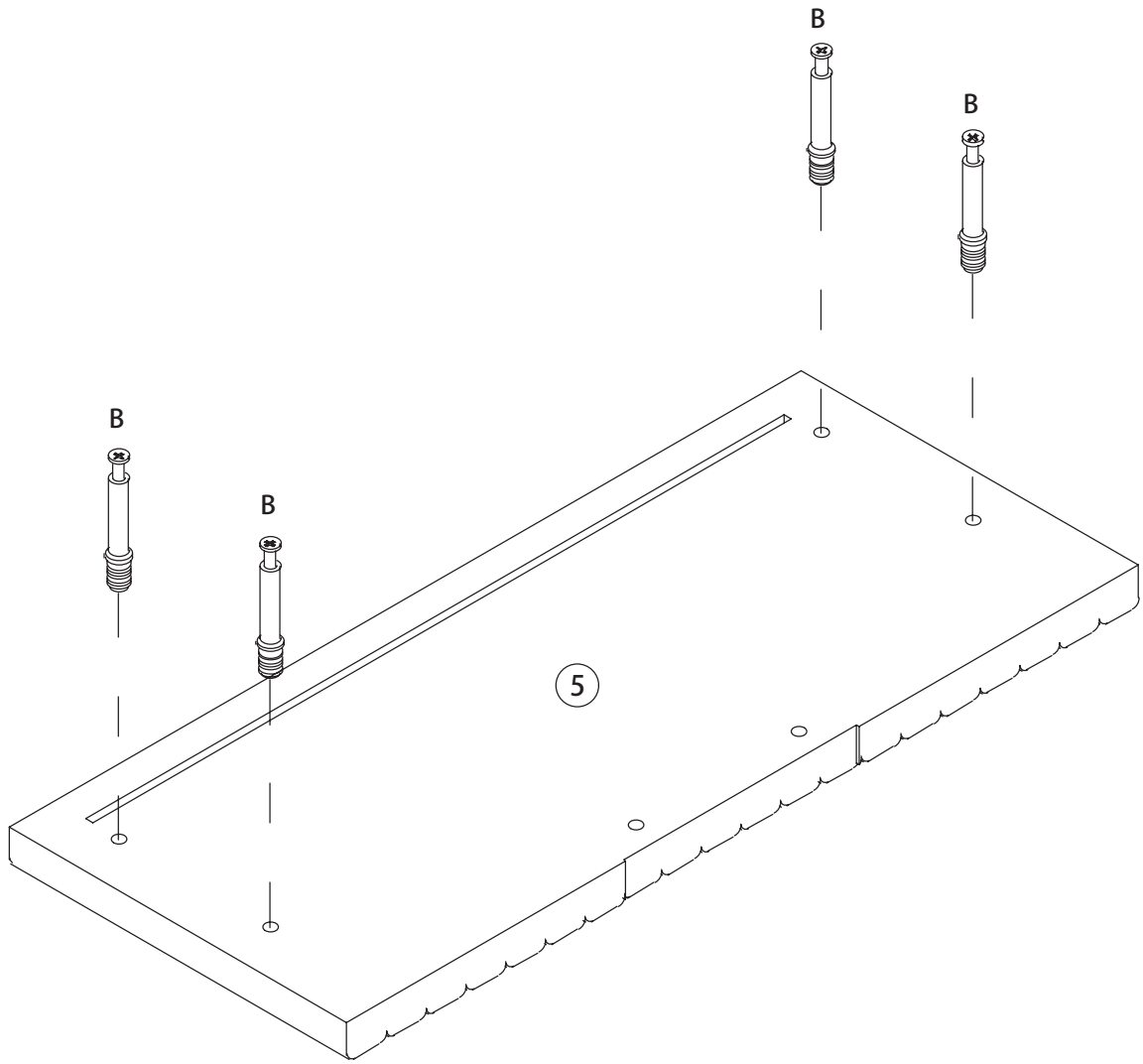
8



9

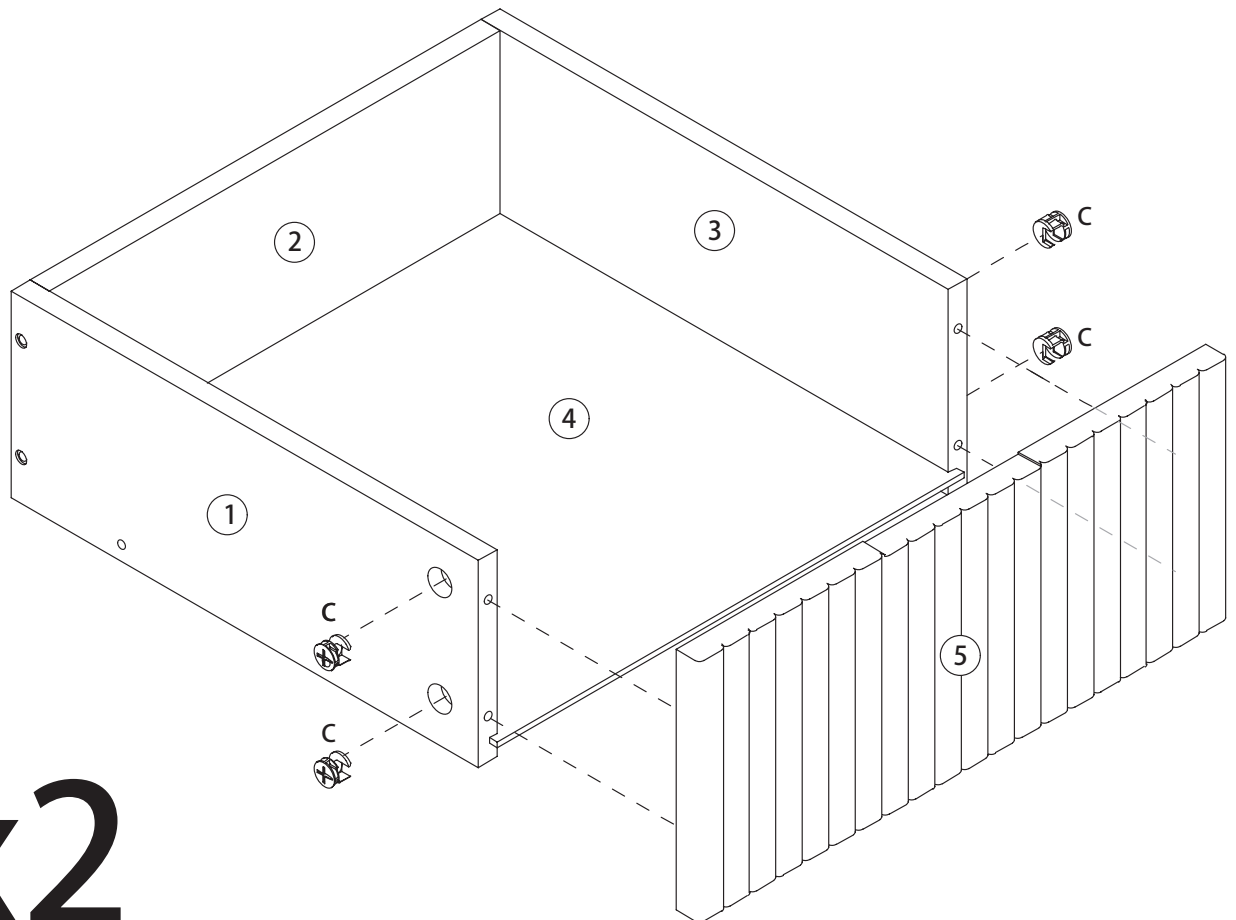


10



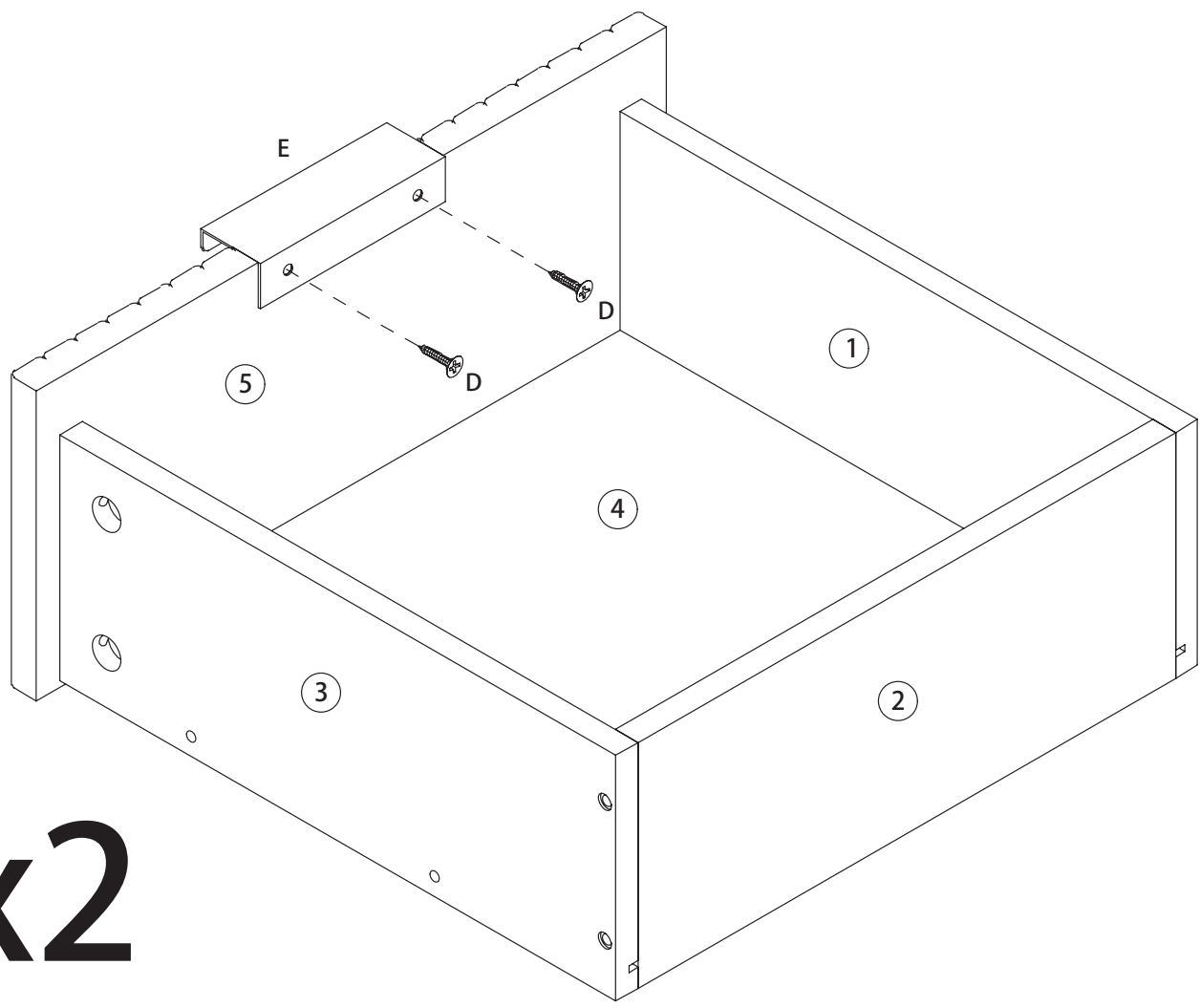
x2

11



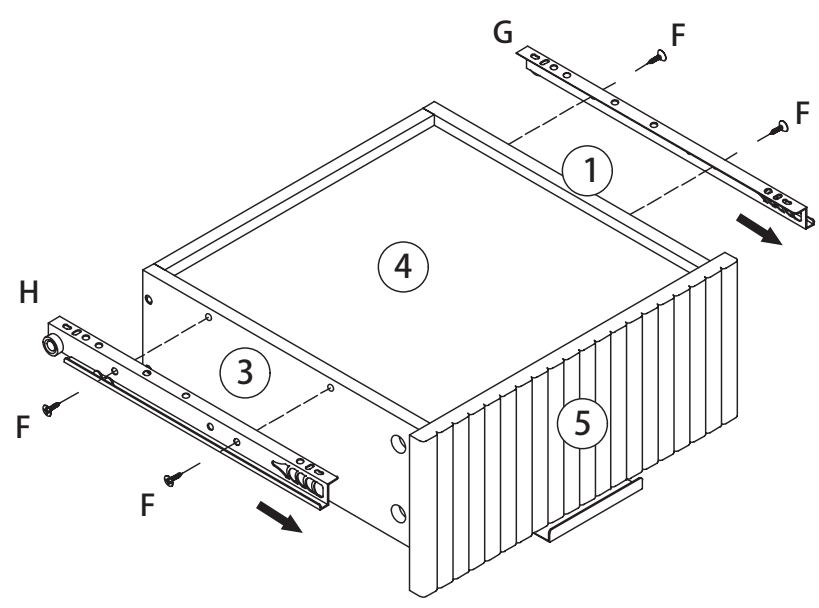
x2

12



x2

13



x2

