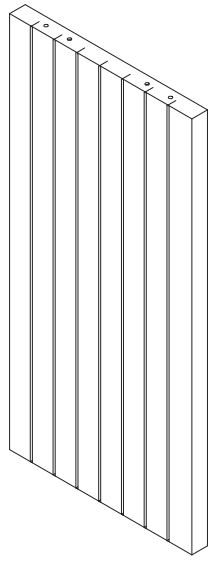
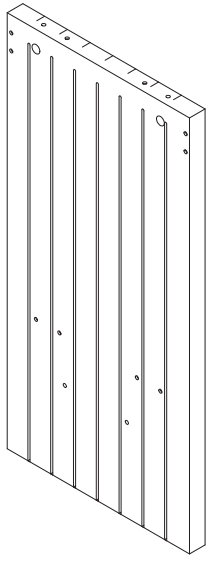


1



x1

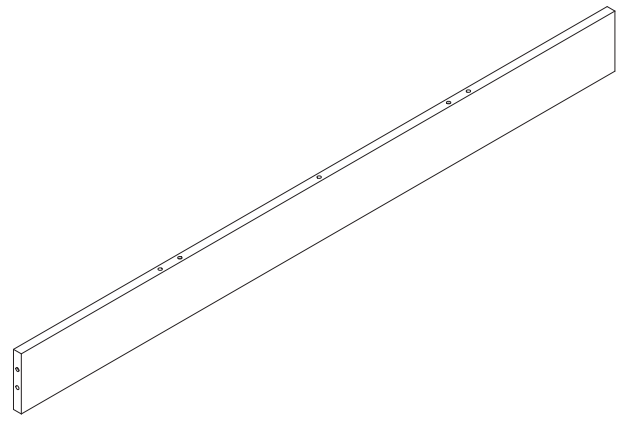
2



x1

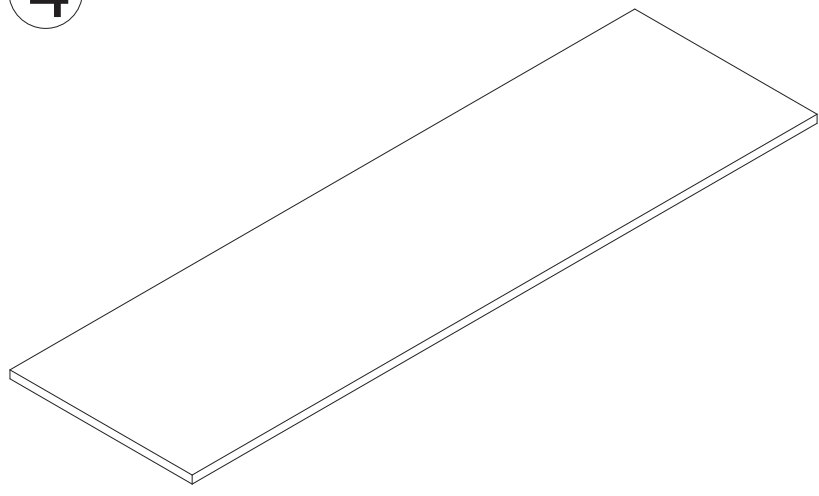
3

260-000003



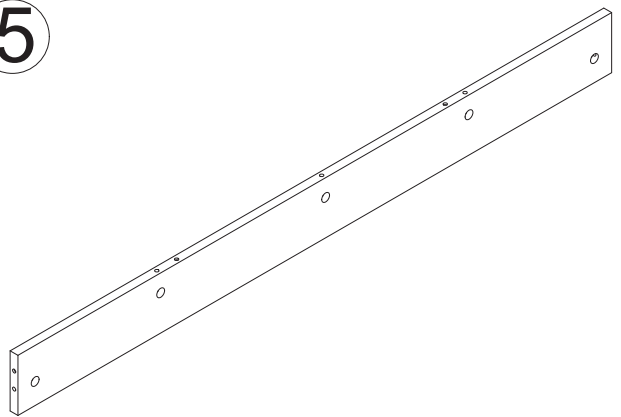
x1

4



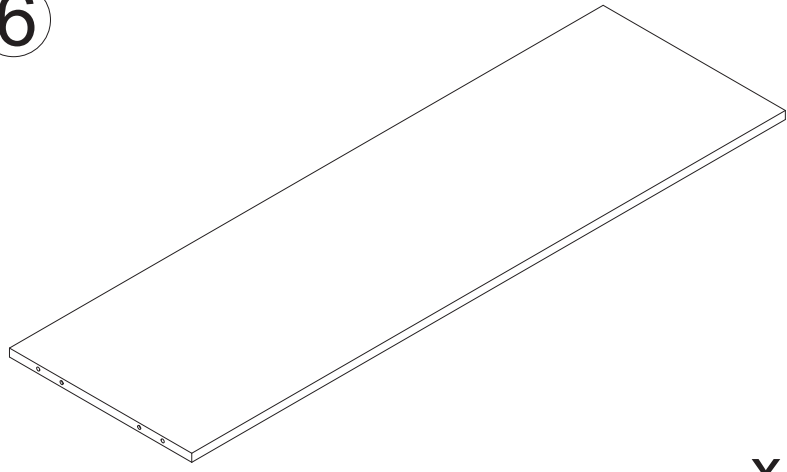
x1

5



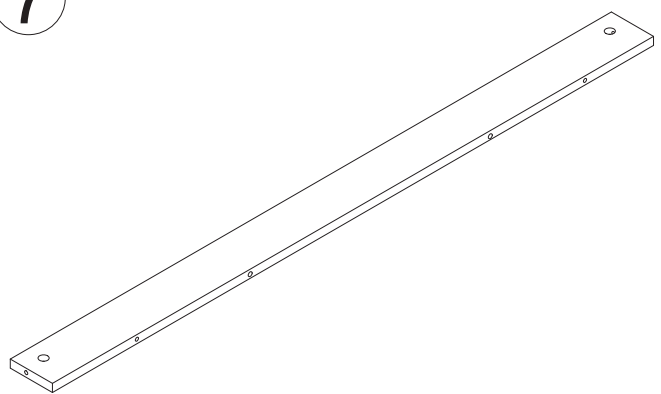
x1

6



x1

7



x2

A



x26

B



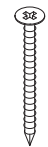
x26

C



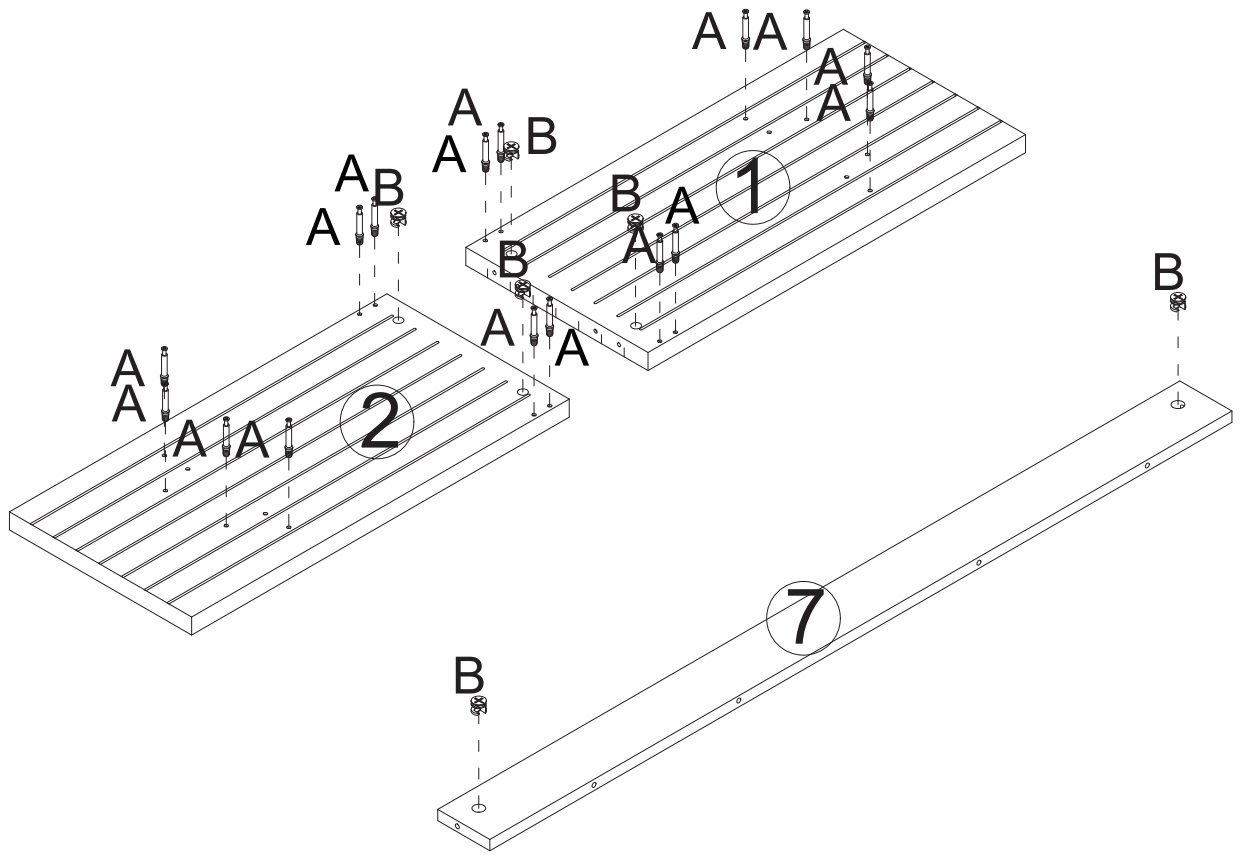
x12

D

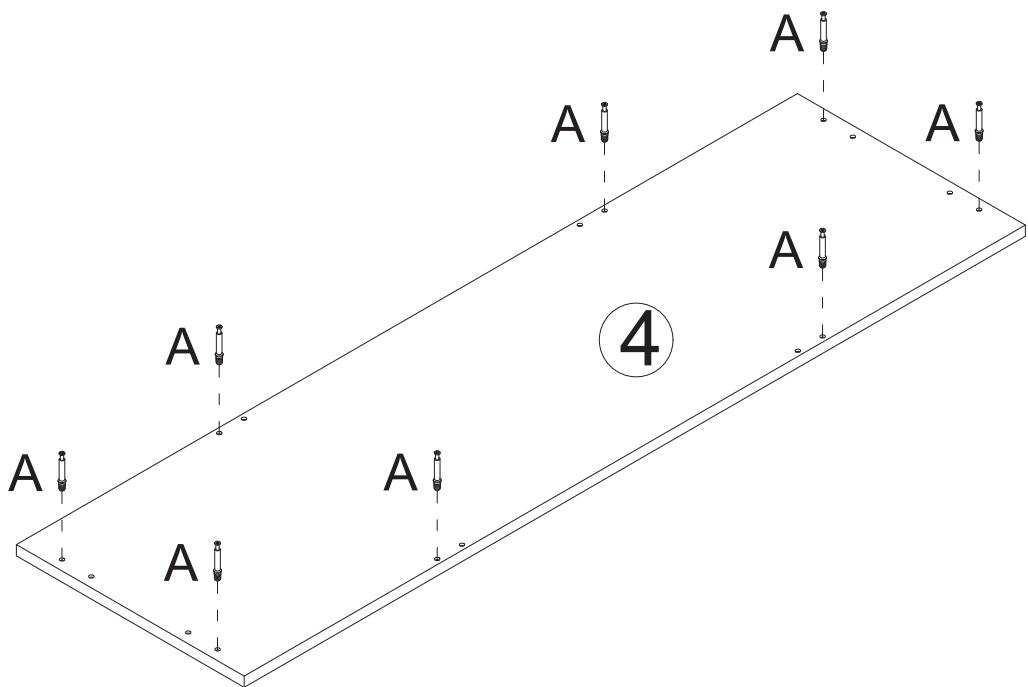


x8

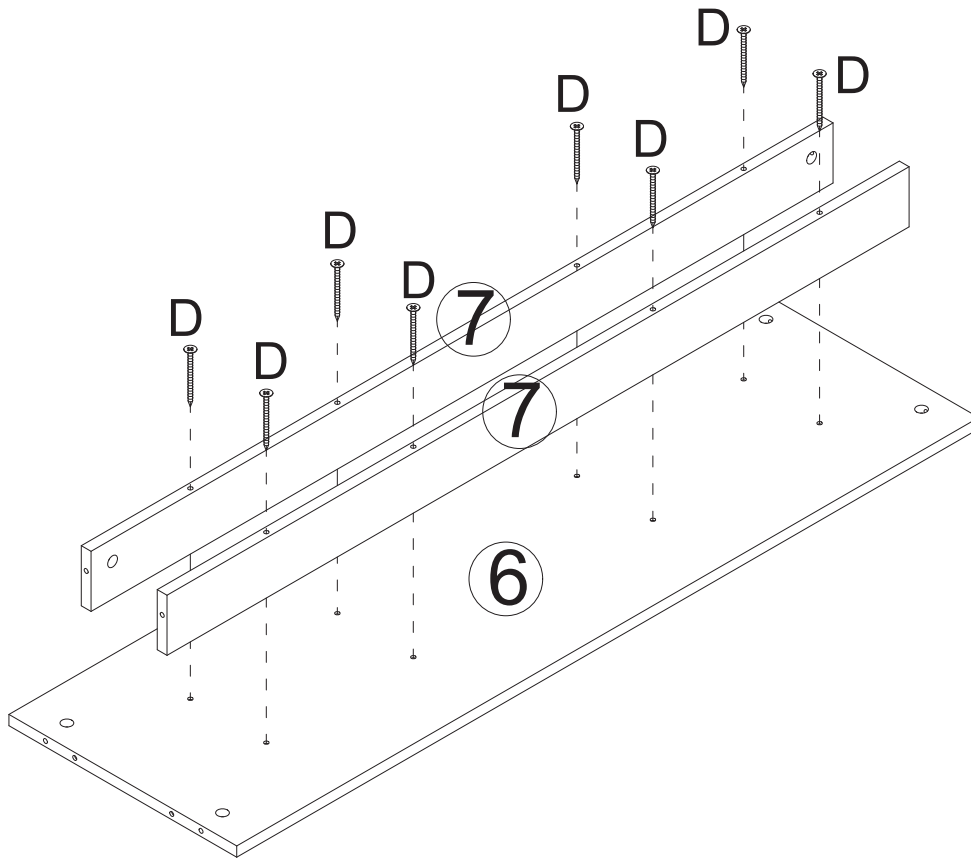
1



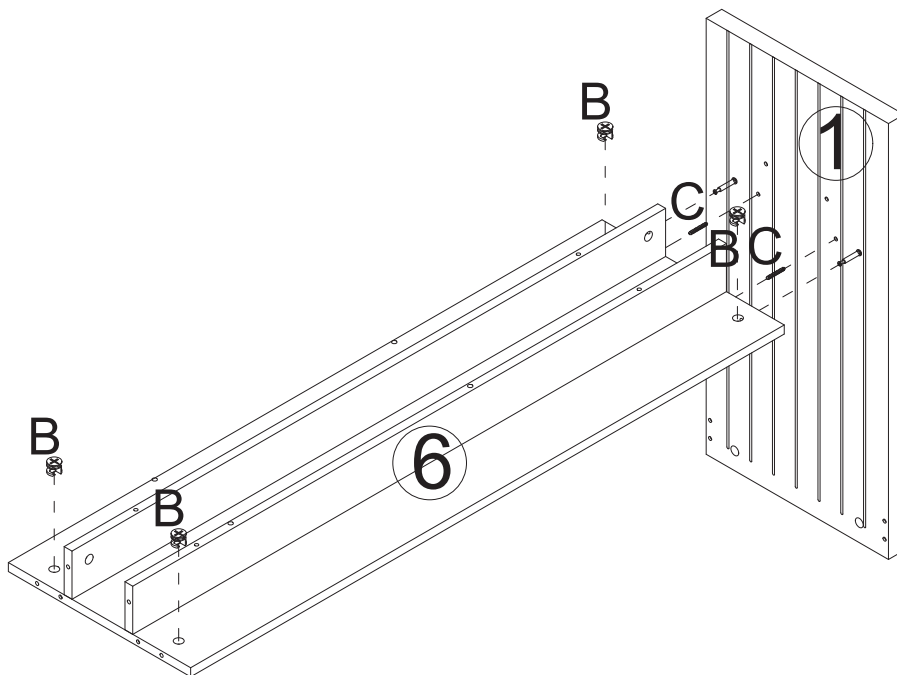
2



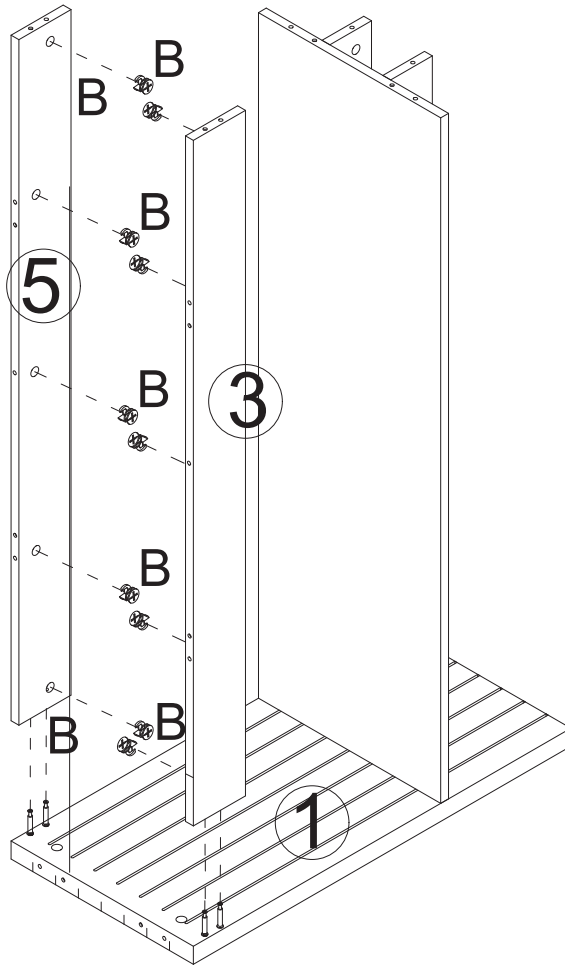
3



4



5



6

