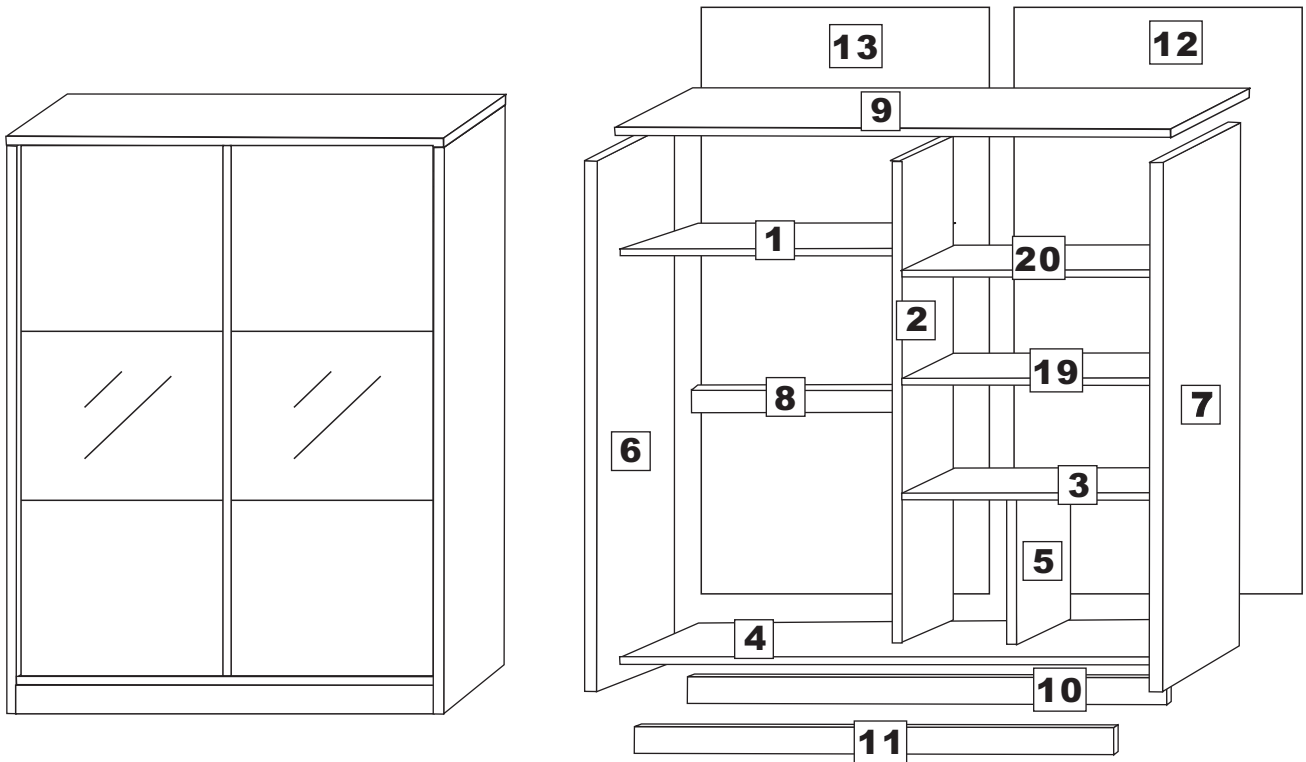




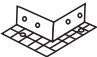
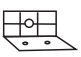


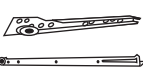
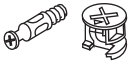


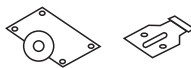

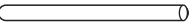



249-000020

ASSEMBLY INSTRUCTIONS

Please Keep For Future Reference

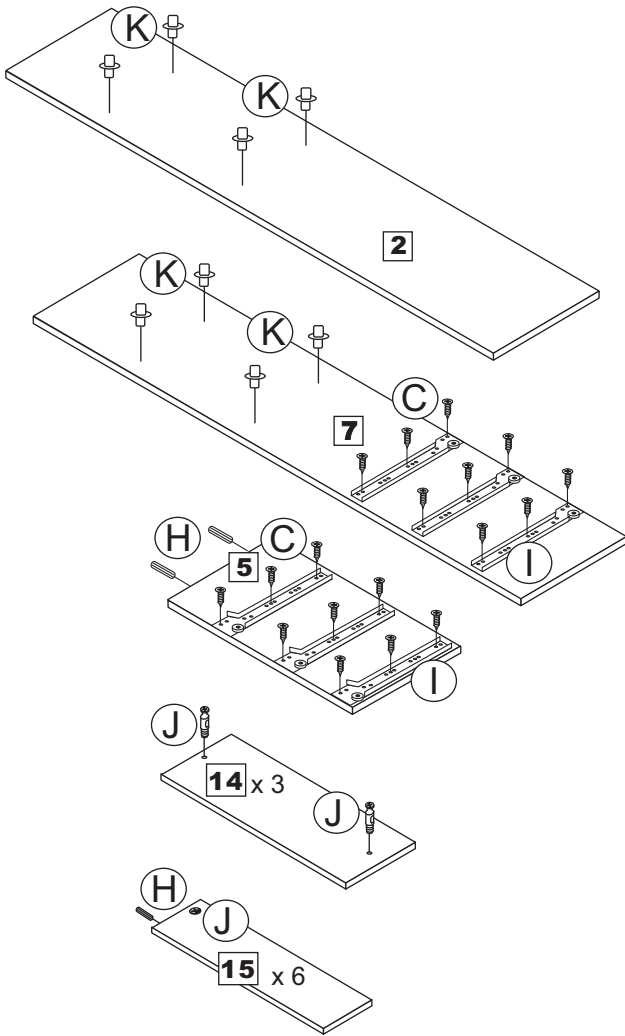


HARDWARE			
(A)  JCBC M6 X 40mm X 28	(B)  M4 X 32mm X 18	(C)  M3.5 X 14mm X 98	(D)  Nail X 90
(E)  Leg X 4	(F)  Leg X 2	(G)  Handle X 3	(H)  Dowel 8 x 25mm X 8
(I)  Drawer Slide 14" X 3 Sets	(J)  Mini Fit X 6 Sets	(K)  Shelf Support X 8	(L)  Sliding Rail X 2
(M)  Sliding Wheel X 4 Sets	(N)  L-Bracket X 2	(O)  Pipe X 2	(P)  Allen Key X 1

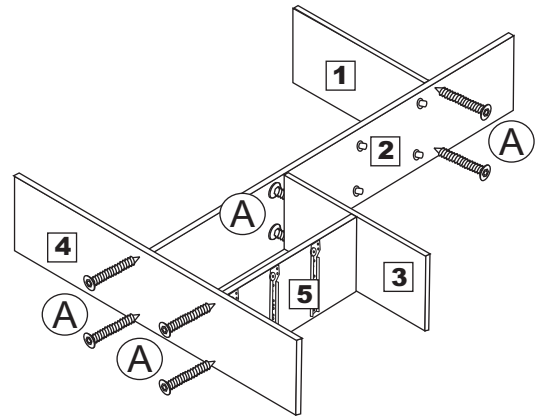
Ruler- Use this ruler to help correctly identify the bolts.



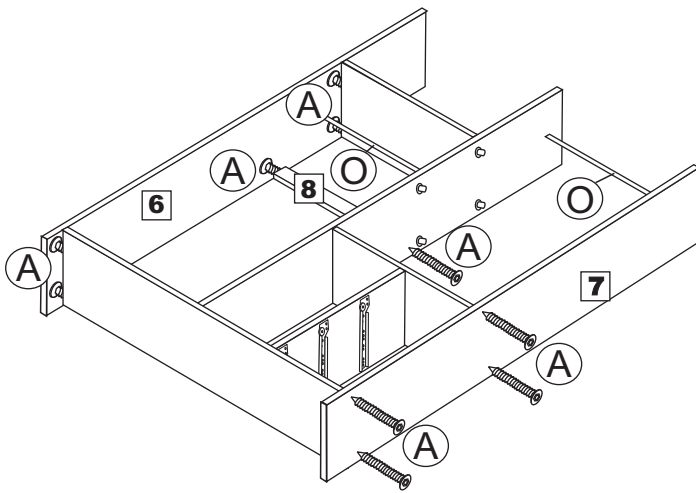
STEP 1



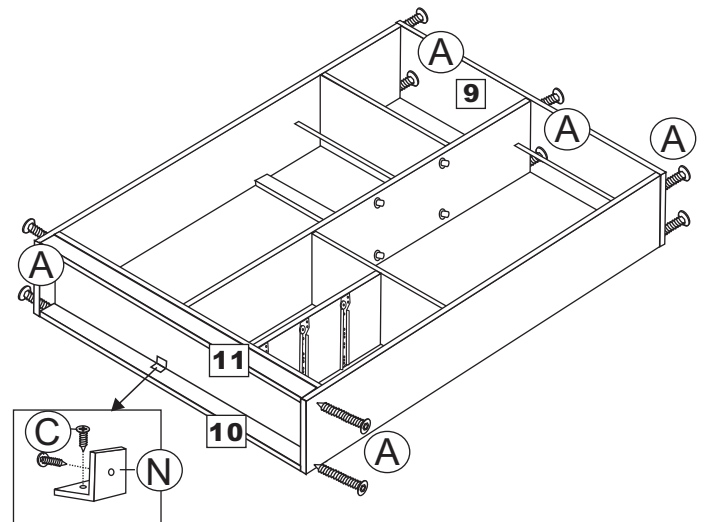
STEP 2



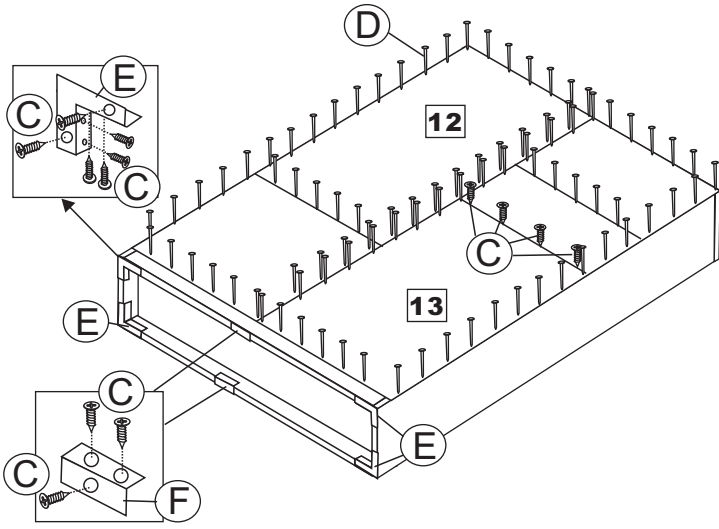
STEP 3



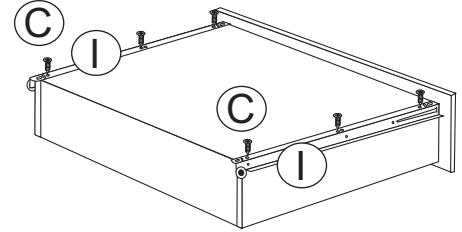
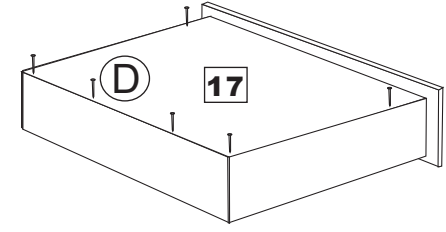
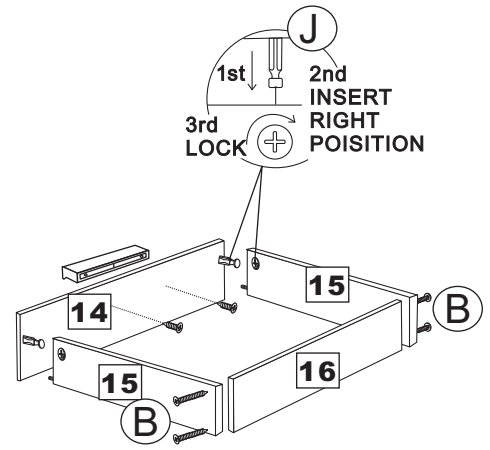
STEP 4



STEP 5

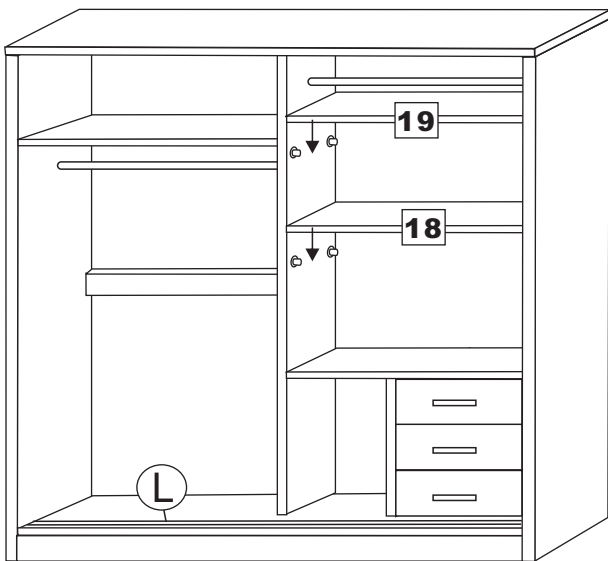


STEP 6



X 3 SETS

STEP 7



STEP 8

