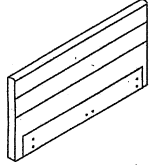
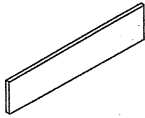
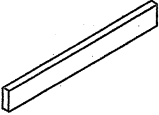


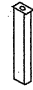

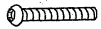





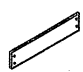








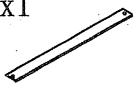



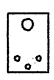

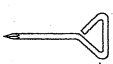
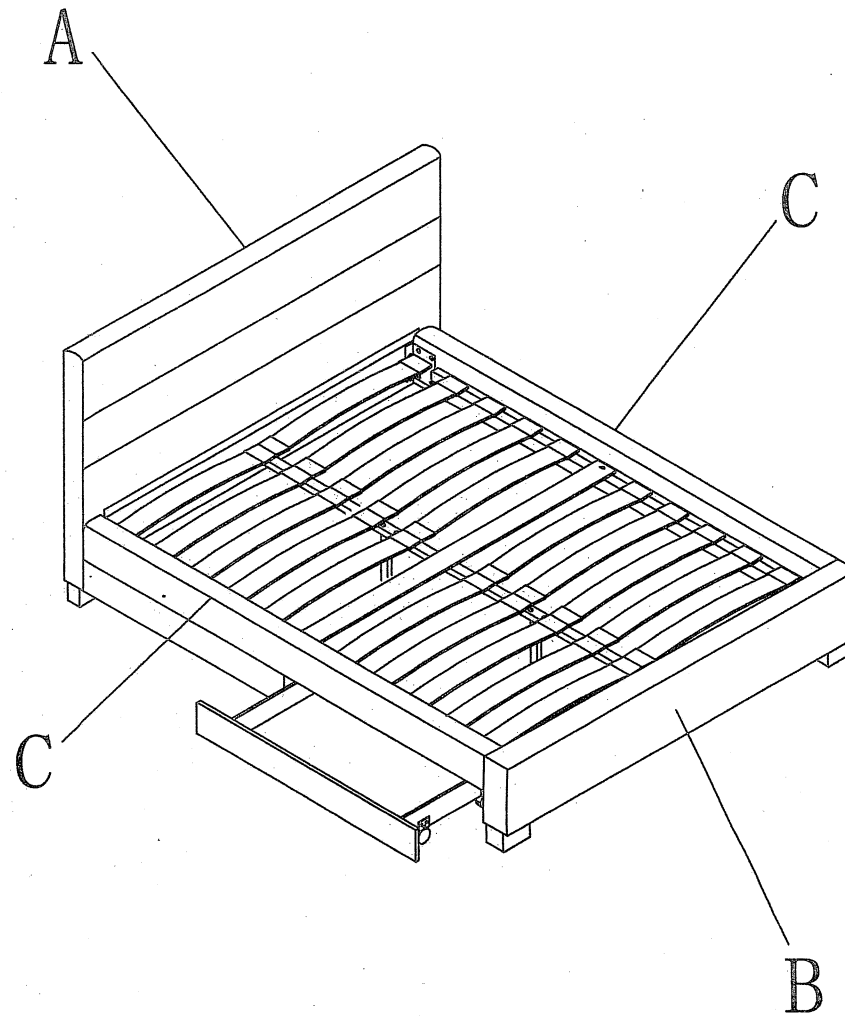
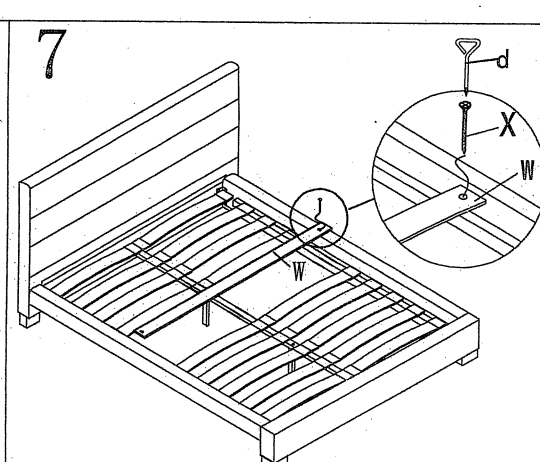
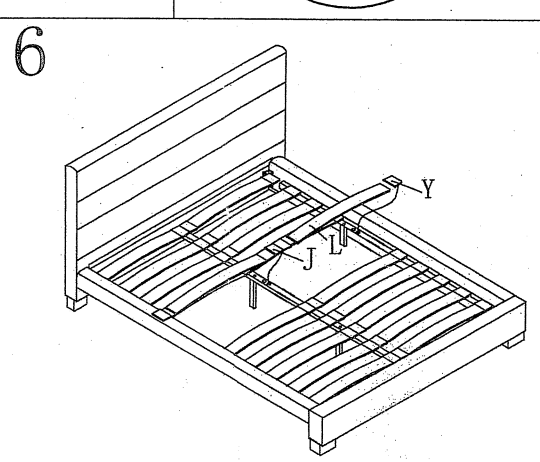
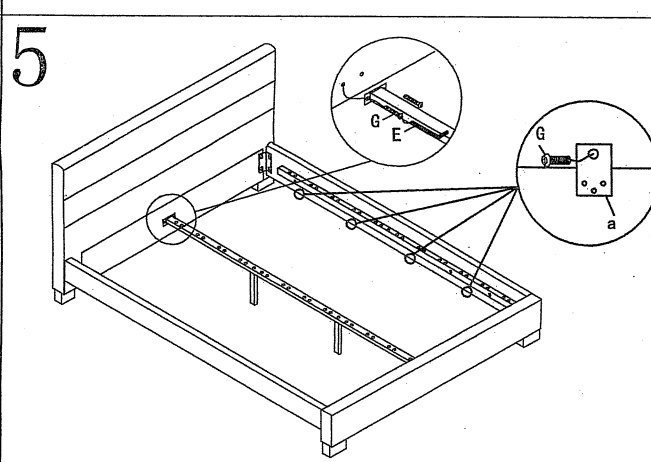
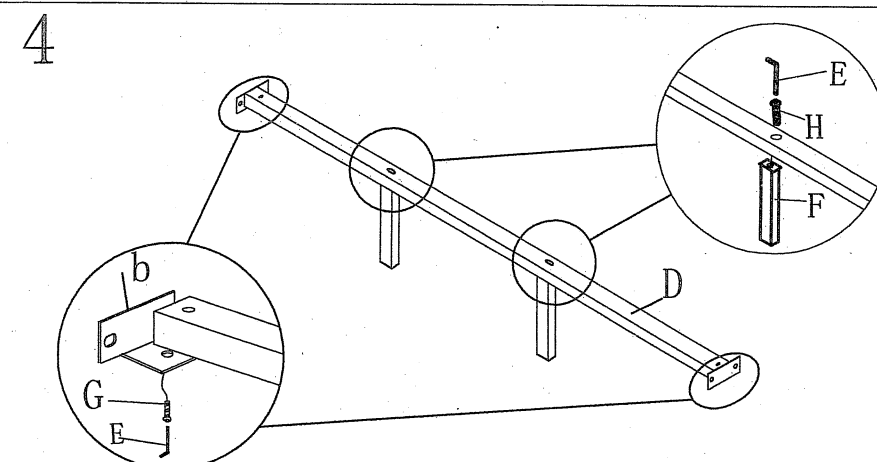
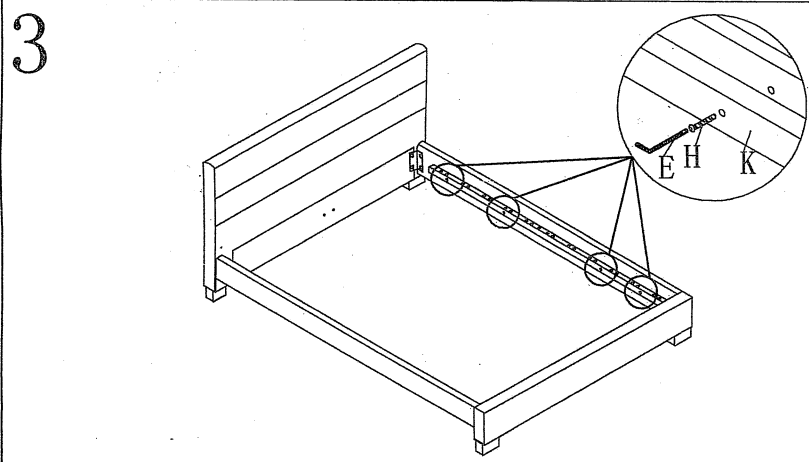
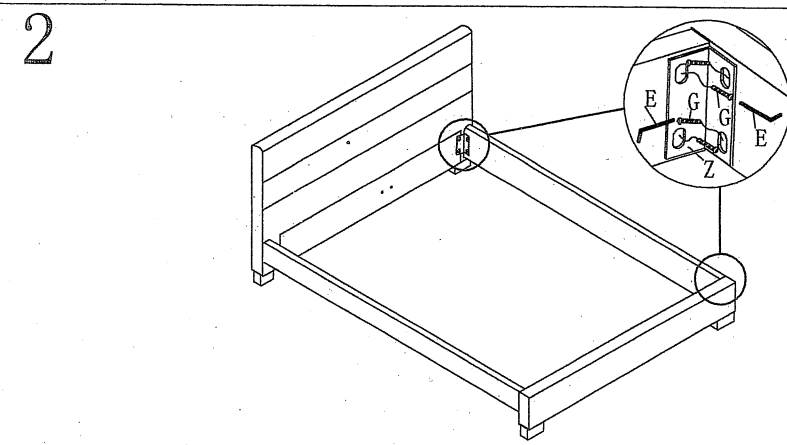
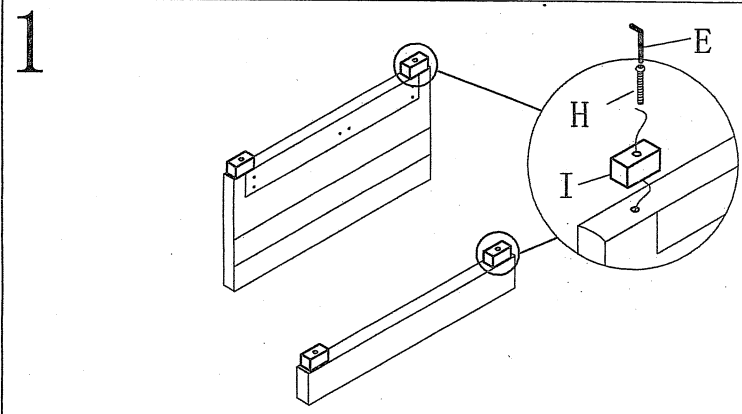
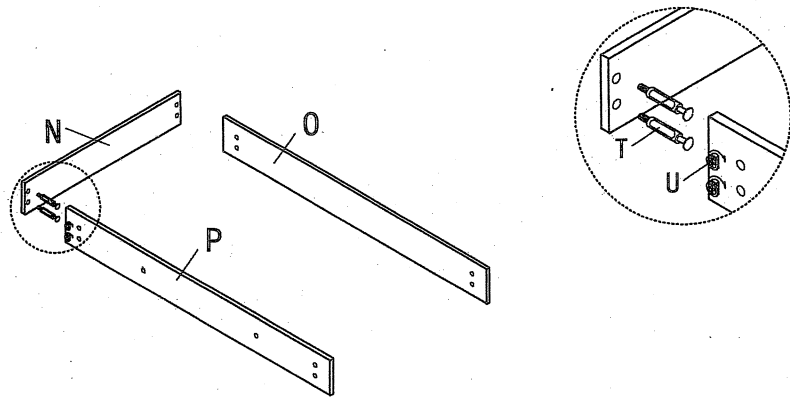


Ax1 		Bx1 	
Cx2 		Dx1 	
Ex1 		Fx2  27cm	
Gx30  (8*20)		Hx14  (8*50)	
Ix4  13.5x4.5cm		Jx11 	
Kx2 	Lx22 	Mx4 	
Nx8 	Ox4 	Px4 	Qx4 
Rx48  (3.5*15)	Sx16 	Tx32 	Ux32 
Vx8  (8*35)	Wx1 	Xx2  (3.5*30)	Yx22 
Zx4 	ax8 	bx2 	dx1 

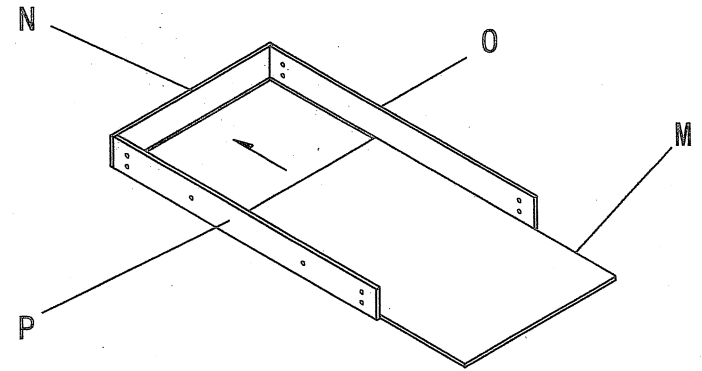




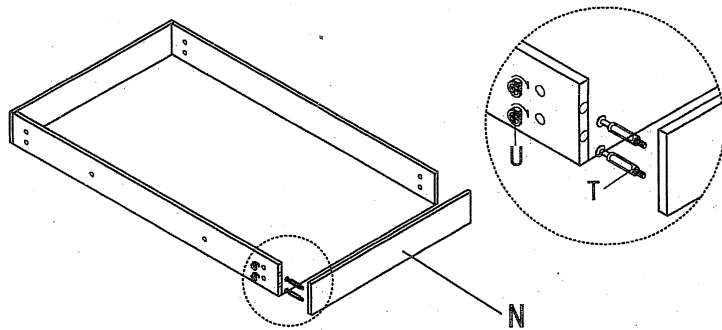
8



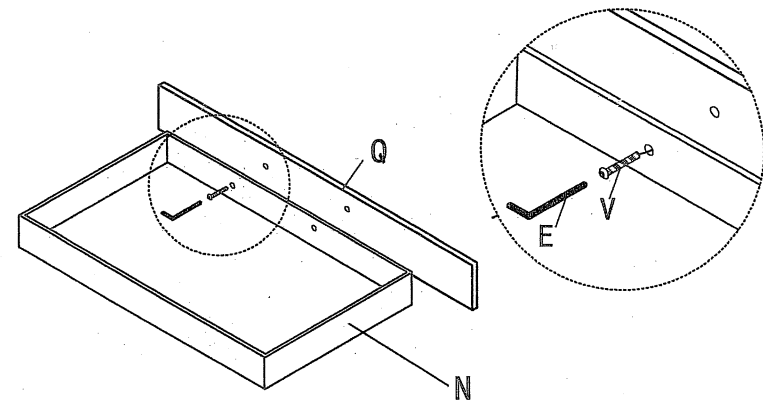
9



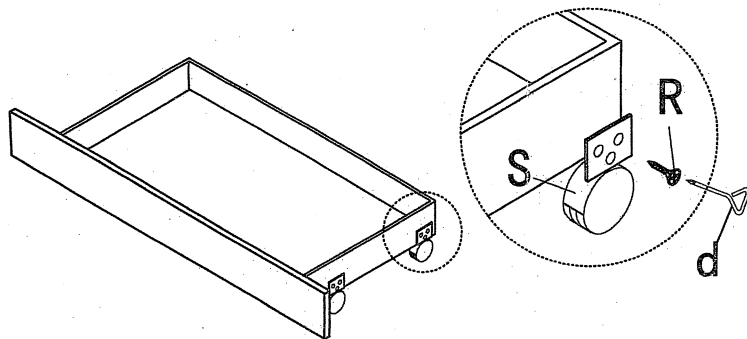
10



11



12



13

