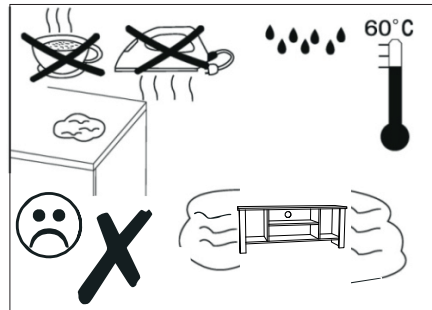
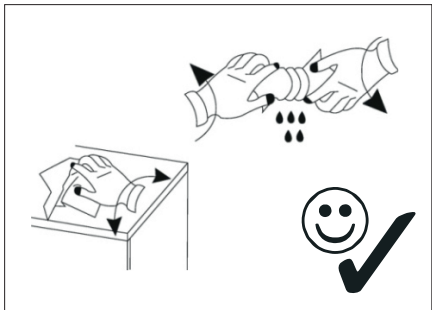
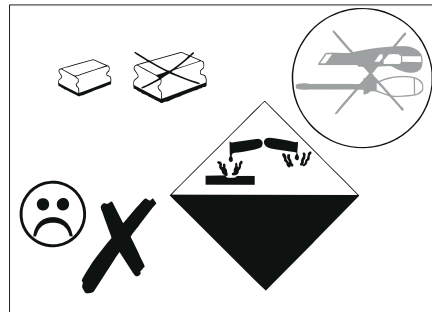
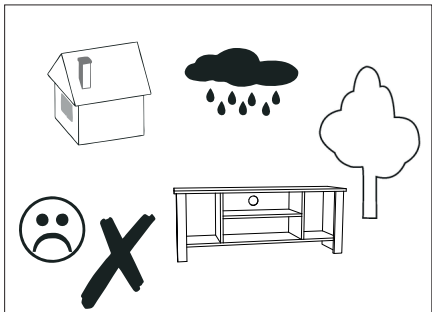
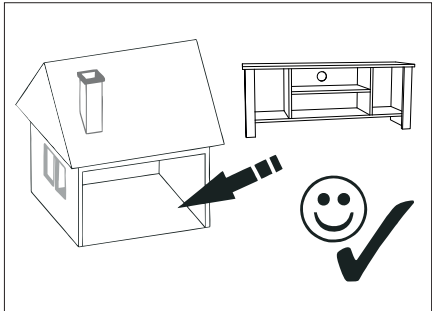
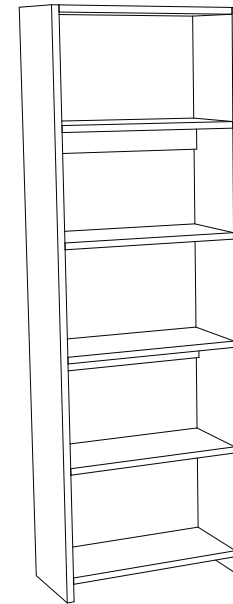
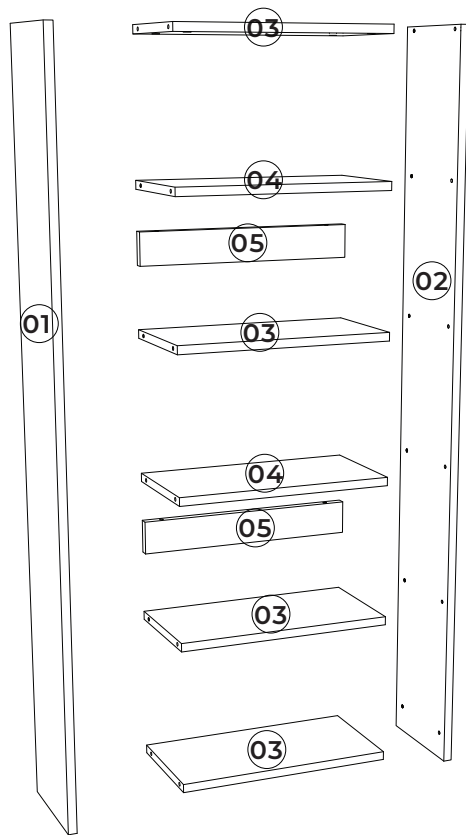


197-000202



## Instruction Manual





|                                                                                     |     |                                                                                     |     |                                                                                     |     |
|-------------------------------------------------------------------------------------|-----|-------------------------------------------------------------------------------------|-----|-------------------------------------------------------------------------------------|-----|
| <b>A01</b>                                                                          | 28x | <b>A02</b>                                                                          | 28x | <b>A10</b>                                                                          | 28x |
|  |     |  |     |  |     |
| *14 mm                                                                              |     | *5x45 mm                                                                            |     |                                                                                     |     |



Important information  
Read carefully.  
Keep this information for further reference.

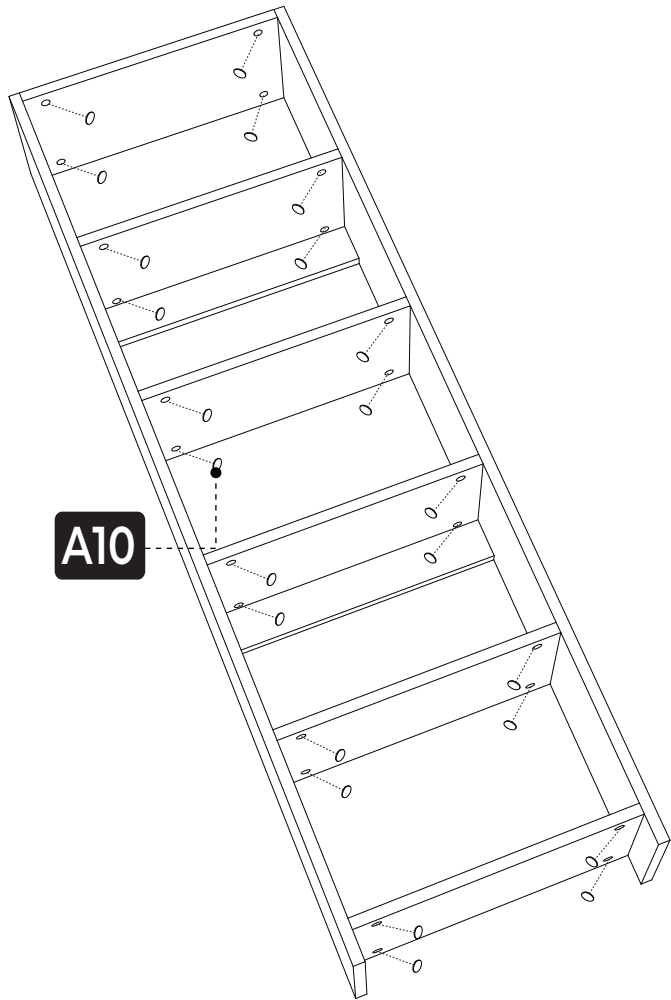
**GB WARNING**

Serious or fatal crushing injuries can occur from furniture tip-over. To prevent this furniture from tipping over it must be permanently fixed to the wall.

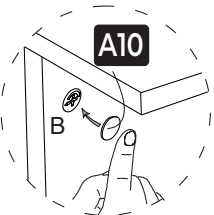
Fixing devices for the wall are not included since different wall materials require different types of fixing devices. Use fixing devices suitable for the walls in your home. For advice on suitable fixing systems, contact your local specialized dealer.

5.

3X

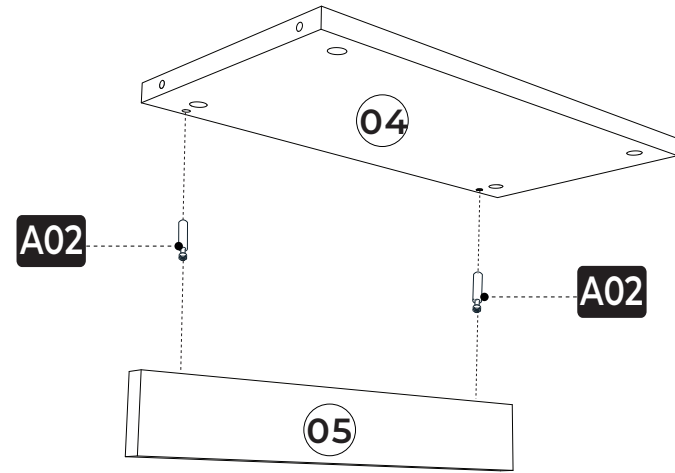


A10



1.

6X



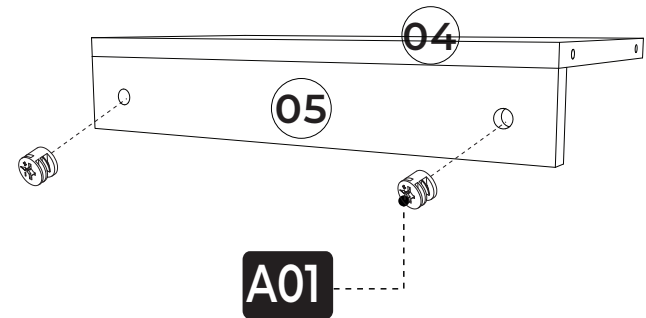
A02

A02

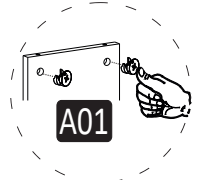
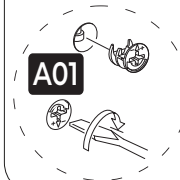


2.

6X

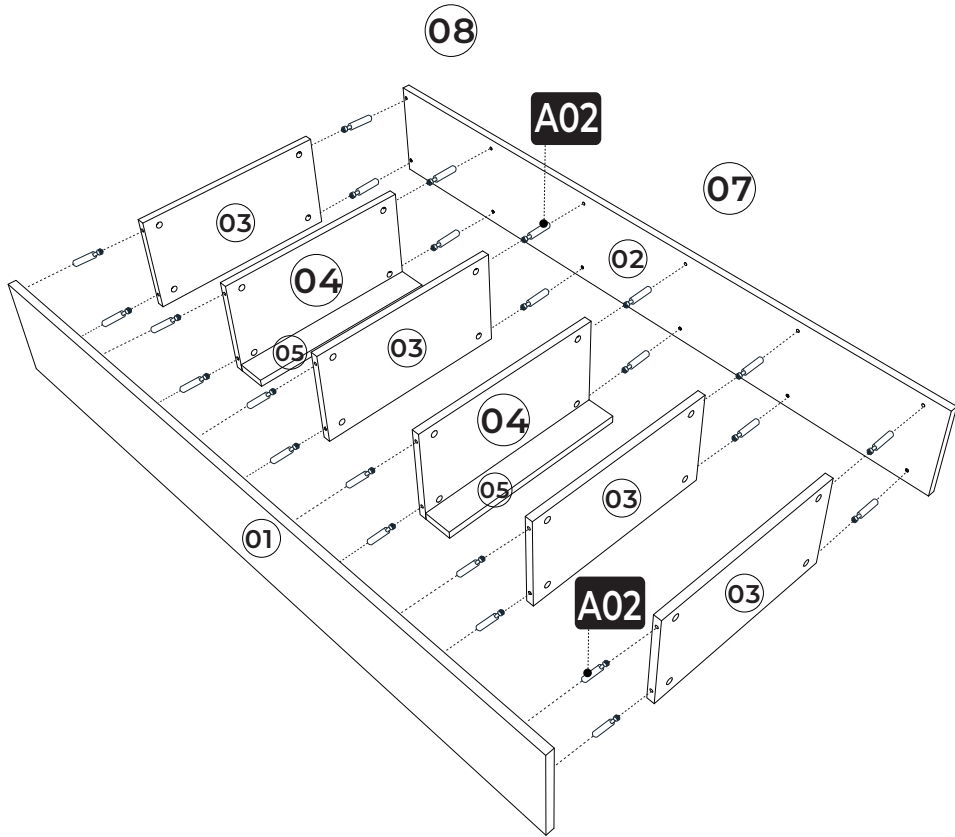


A01



3.

3X



4.

3X

