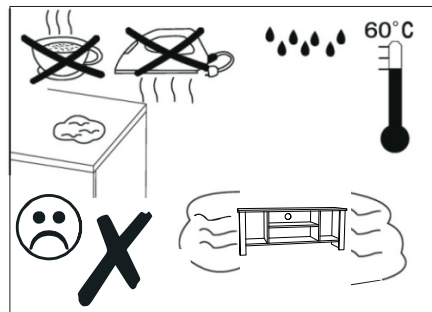
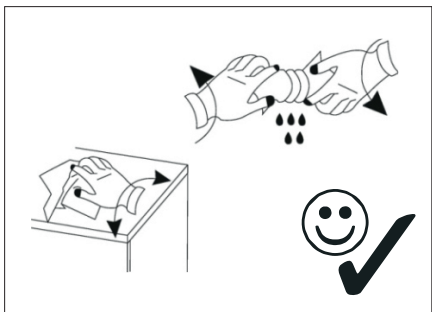
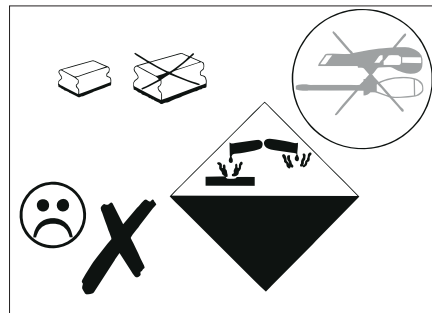
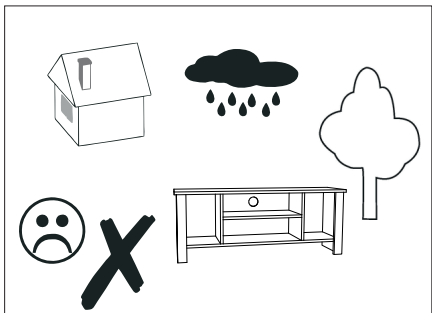
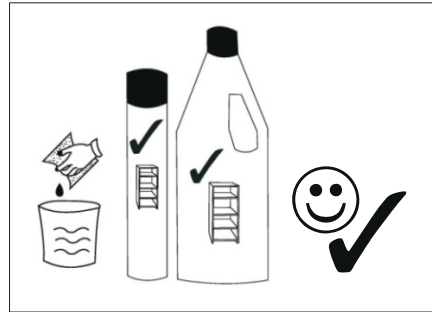
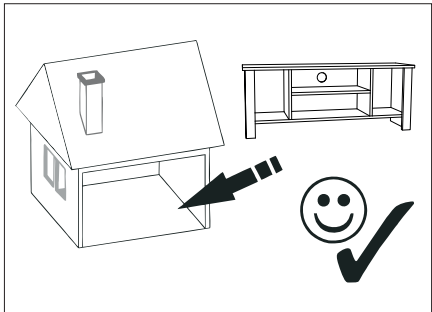
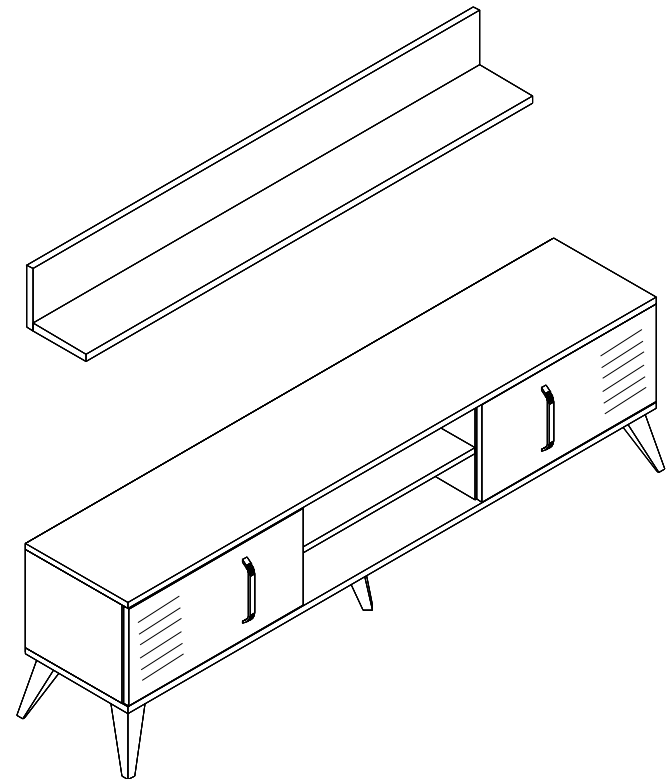
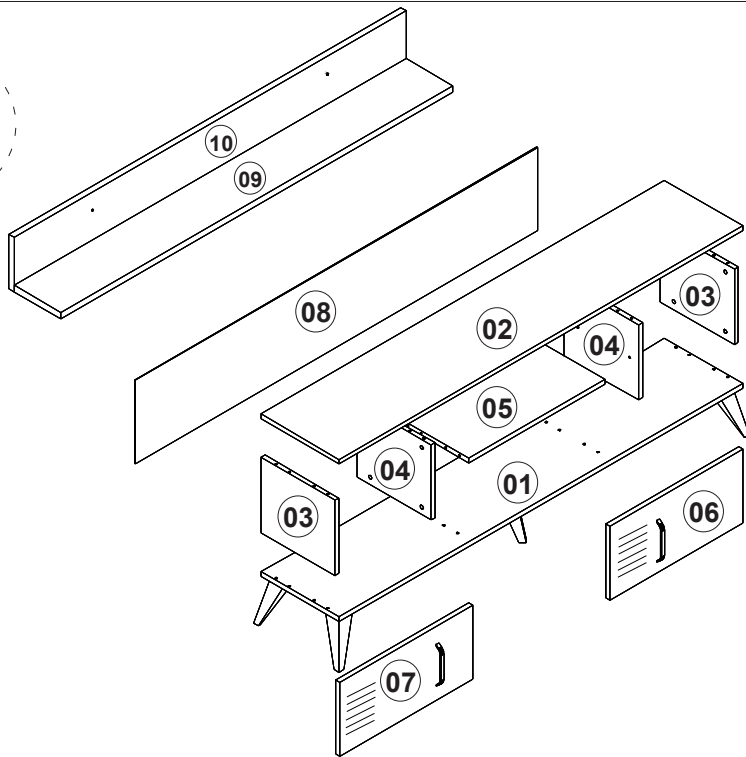


197-000173



Instruction Manual





| | | | |
|-------------------------------------|------------------------------------|-----------------------------------|-----------------------------------|
| A01 24x *14 mm | A02 24x *5x45 mm | A03 27x *8x30 mm | A04 24x *14 mm |
| A10 16x *3.5x18 mm | A12 4x | A13 4x | A14 15x *4x25 mm |
| A15 5x | A16 4x *3.5x50 mm | A17 2x *5x70 mm | A18 2x |
| A19 2x | A20 2x | A28 12x | A41 4x |



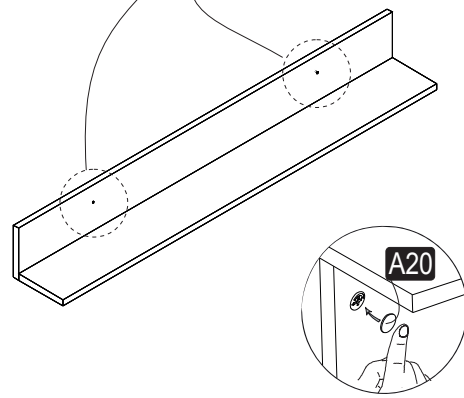
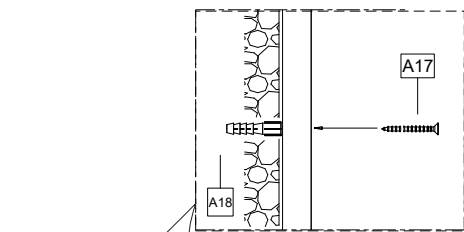
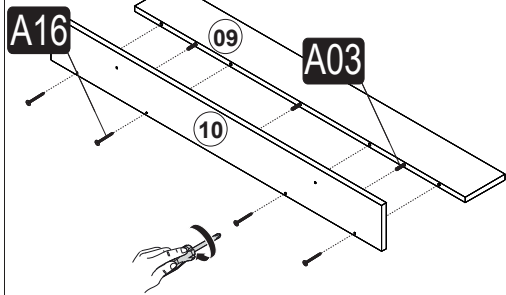
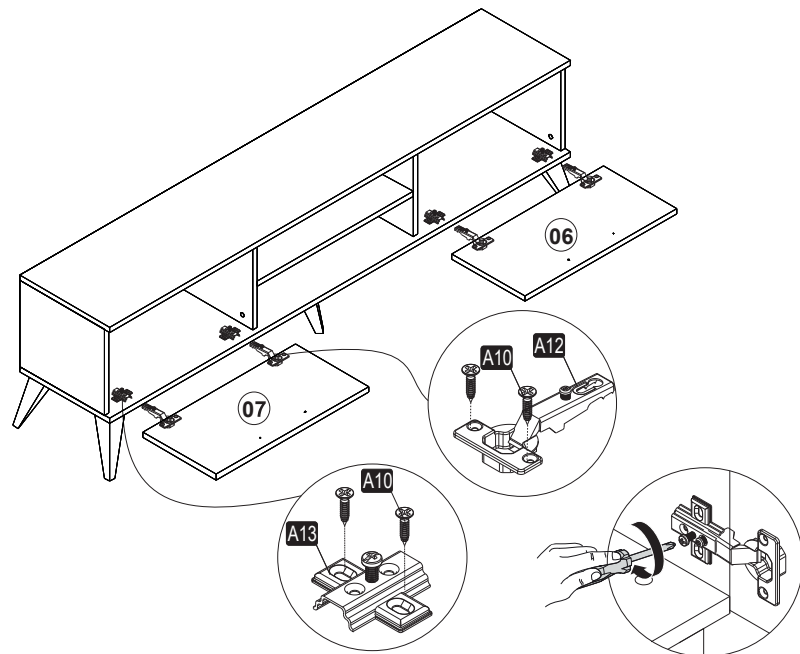
Important information
Read carefully.
Keep this information for further reference.

(GB) WARNING

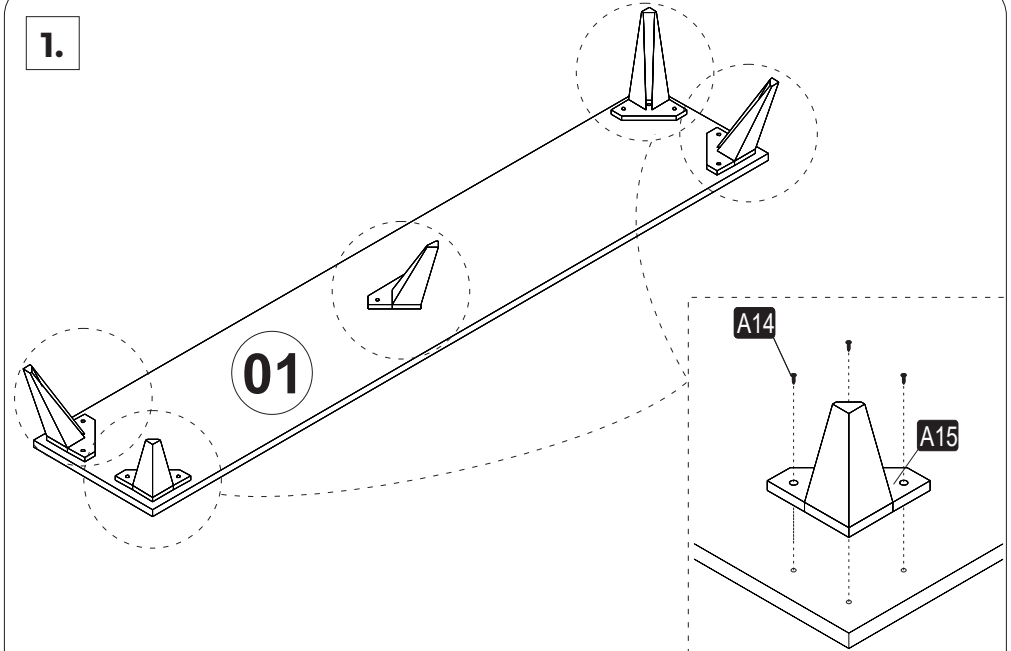
Serious or fatal crushing injuries can occur from furniture tip-over. To prevent this furniture from tipping over it must be permanently fixed to the wall.

Fixing devices for the wall are not included since different wall materials require different types of fixing devices. Use fixing devices suitable for the walls in your home. For advice on suitable fixing systems, contact your local specialized dealer.

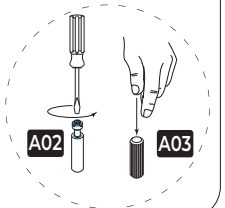
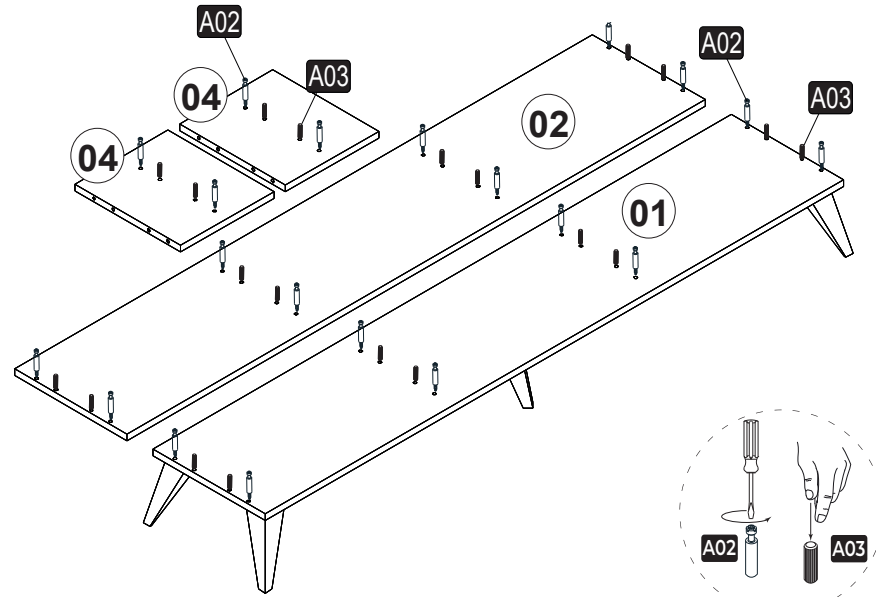
8.



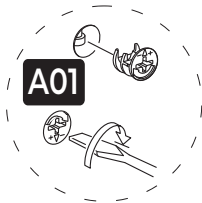
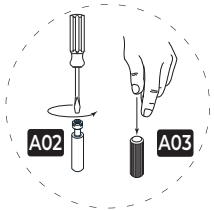
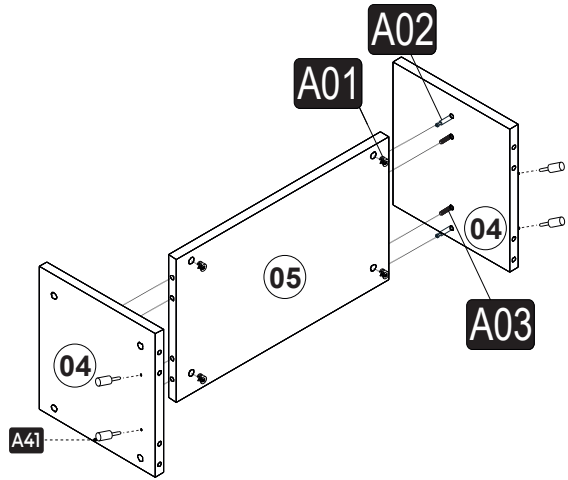
1.



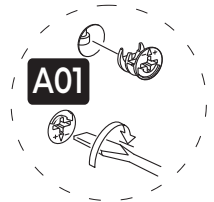
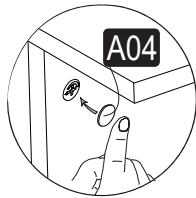
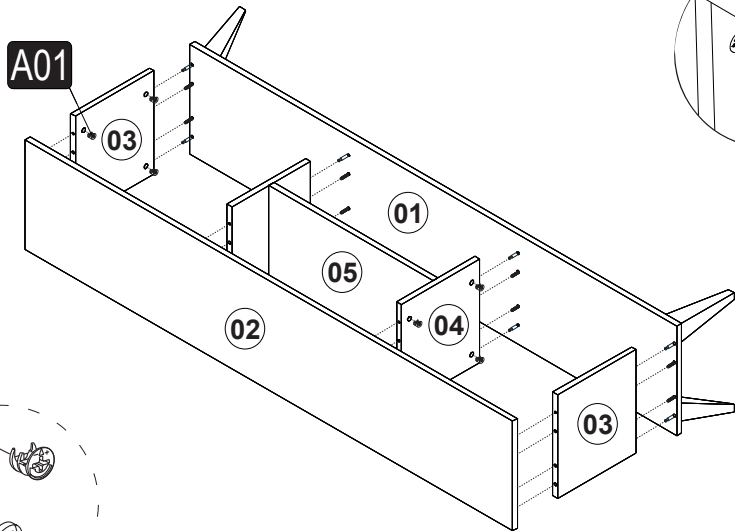
2.



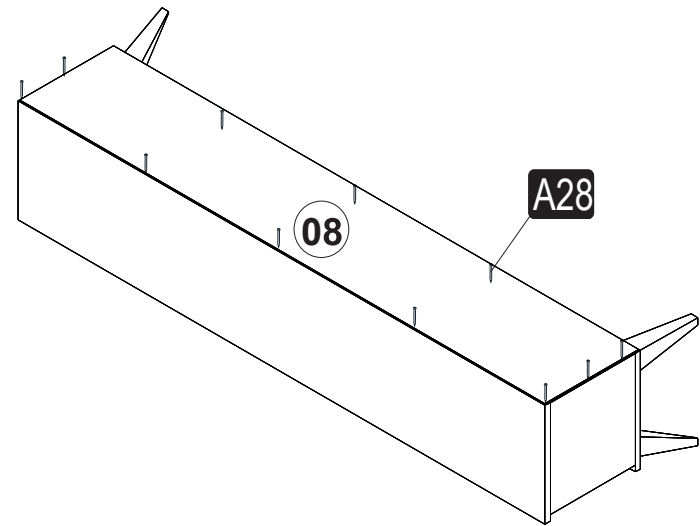
3.



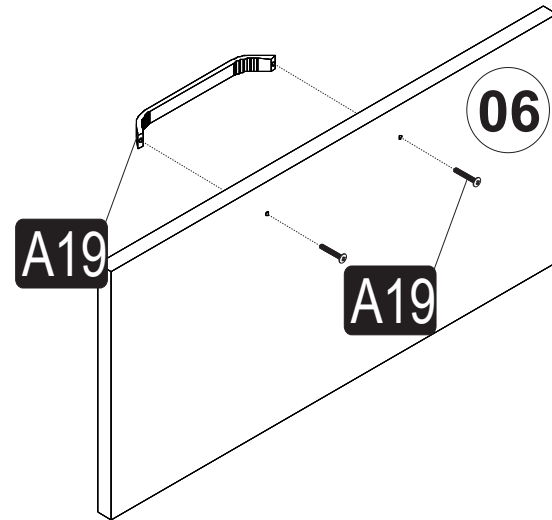
4.



6.



8.



2x