
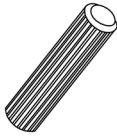


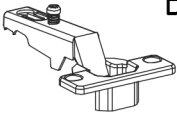

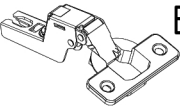
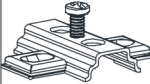
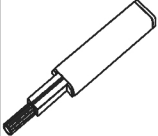
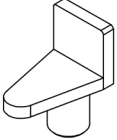

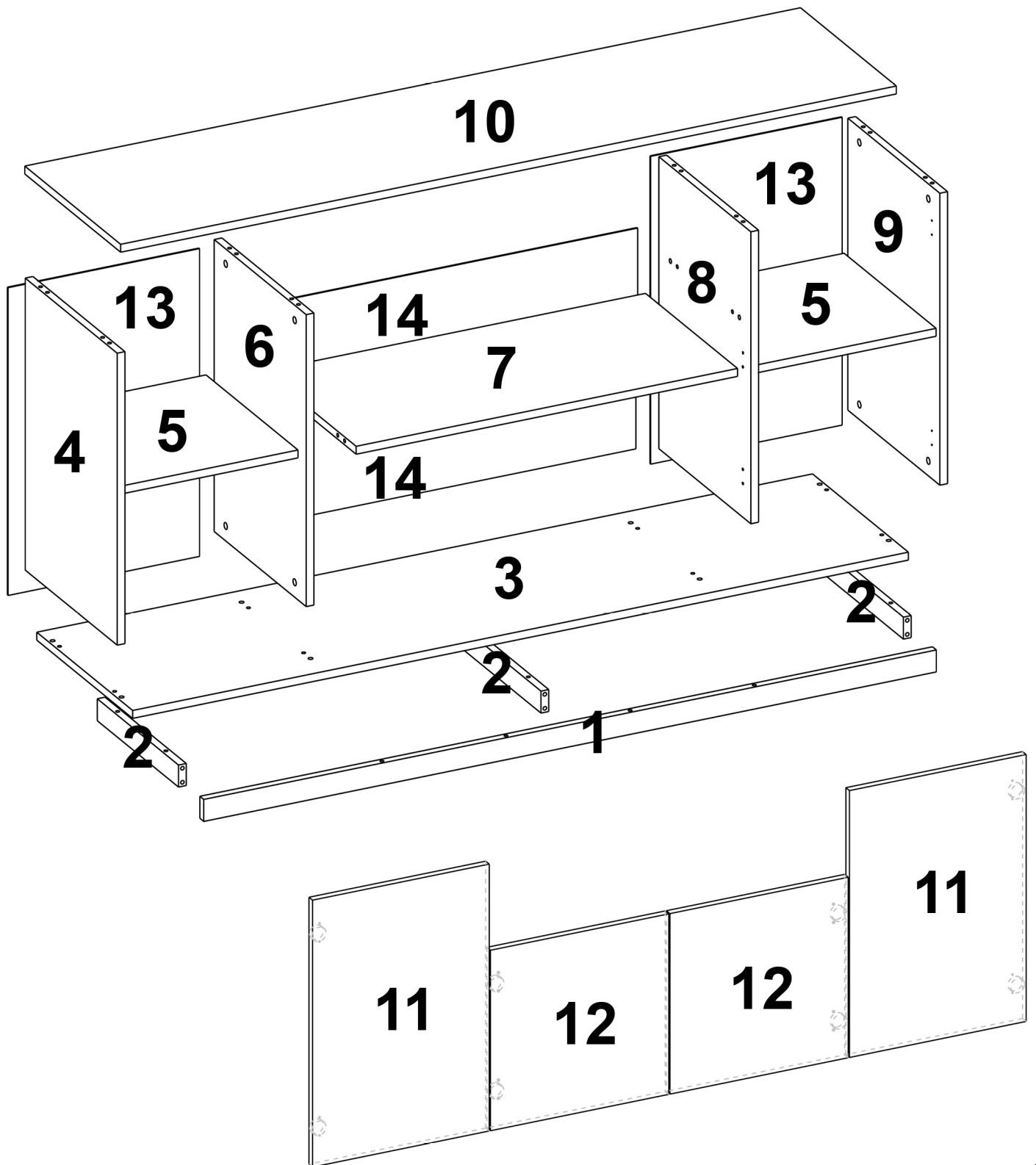
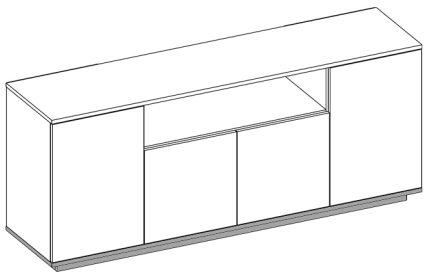
 B0501 x20	 B0502 x20	 B0503 x26	 B0504 x20	 B0301 x40
 B0101 x4	 B0318 x55	 B0102 x4	 B0105 x8	 B1403 x4
 B0509 x8	 B0304 x10			



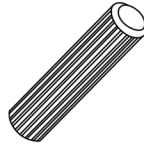


B0502

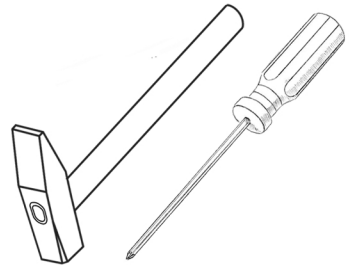


x10

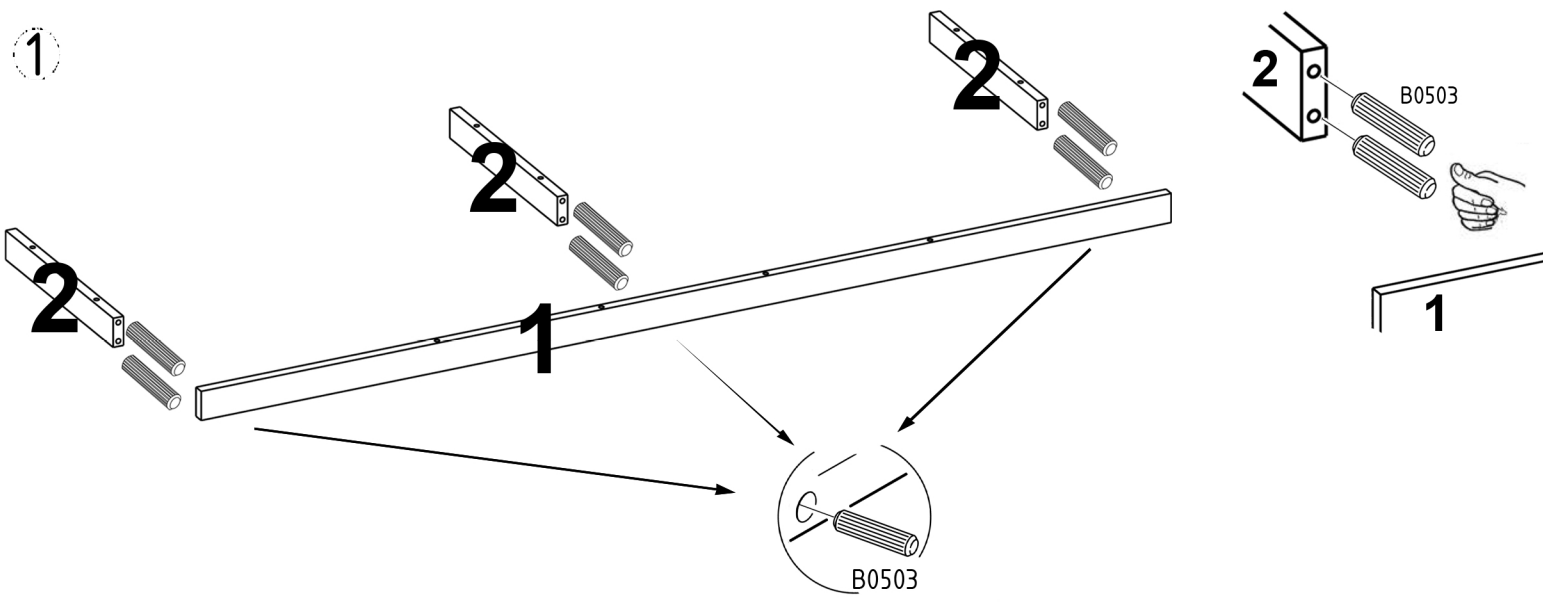
B0503



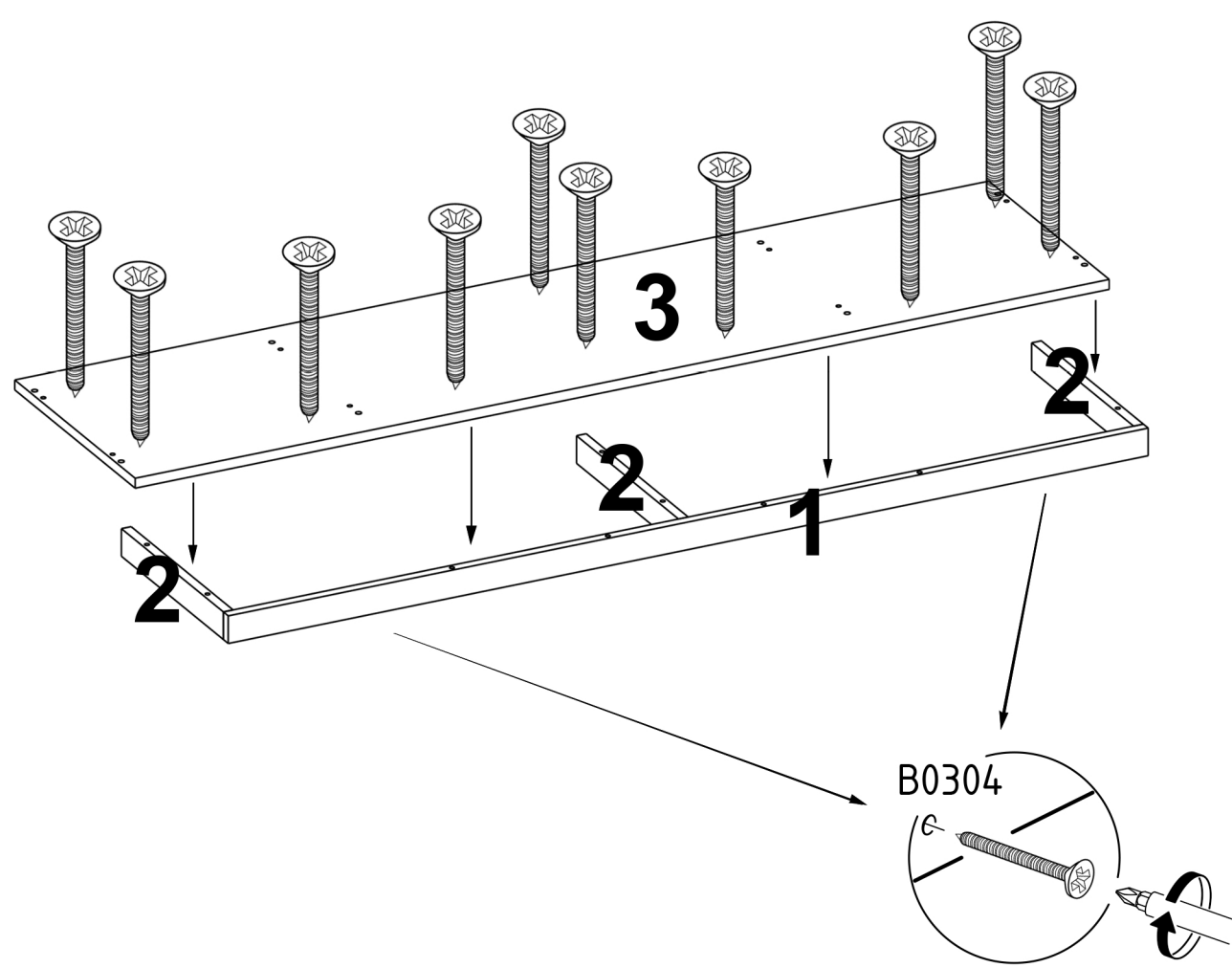
x6



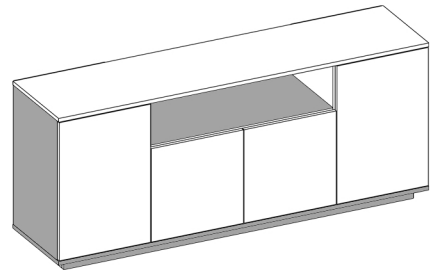
1



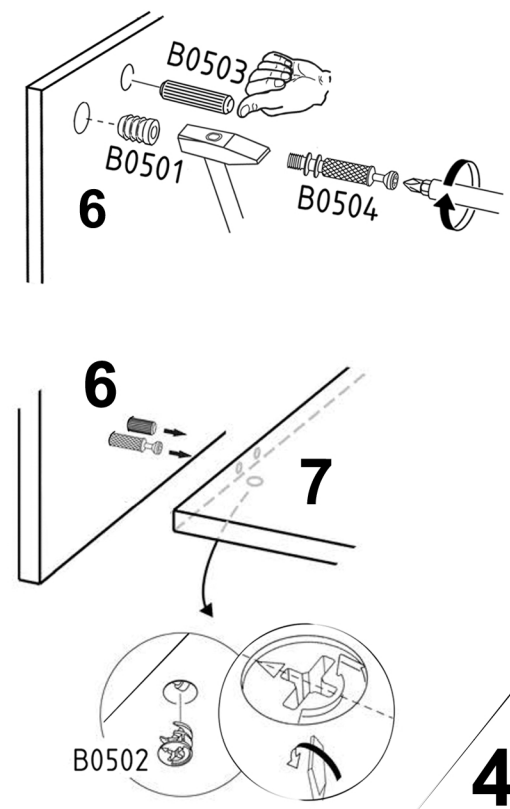
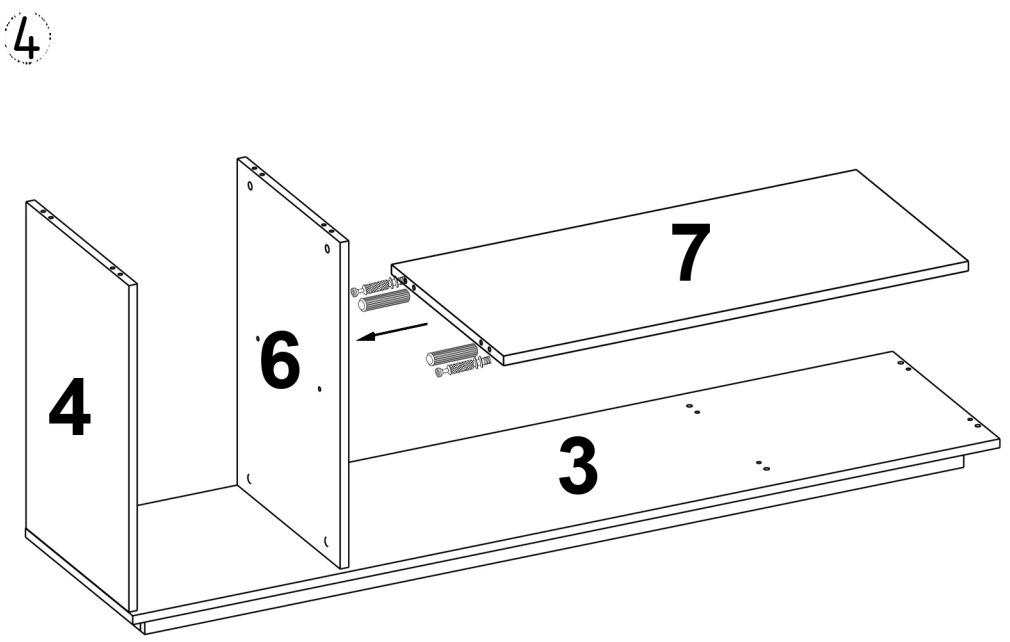
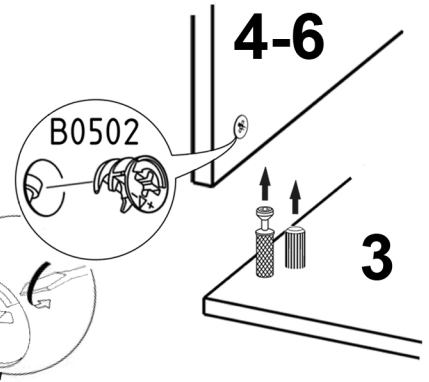
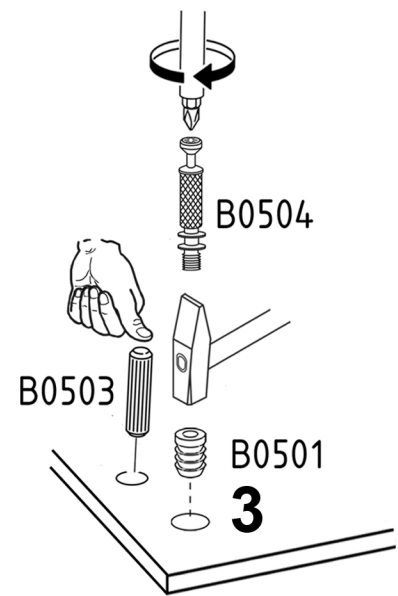
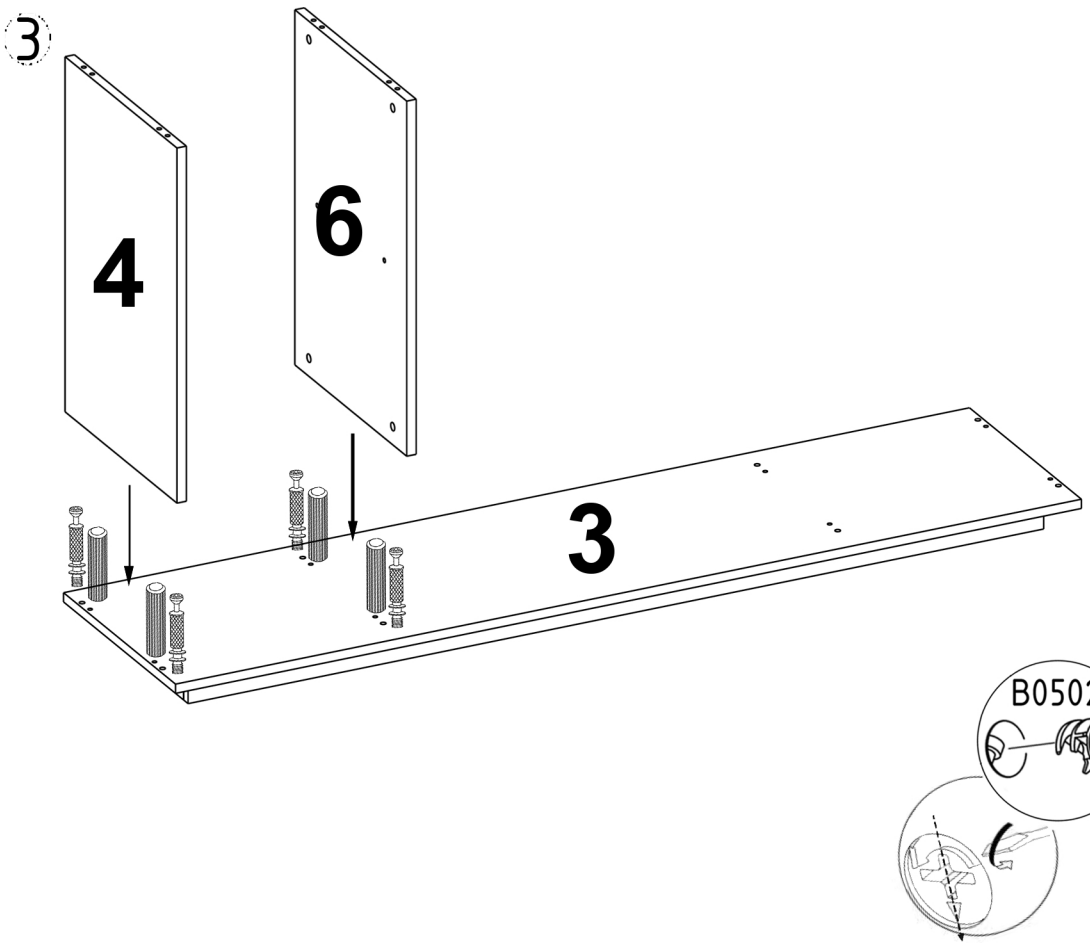
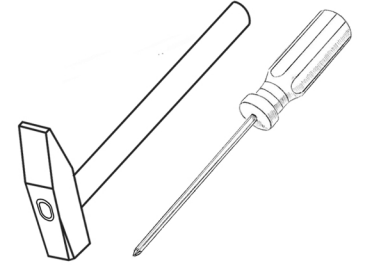
2

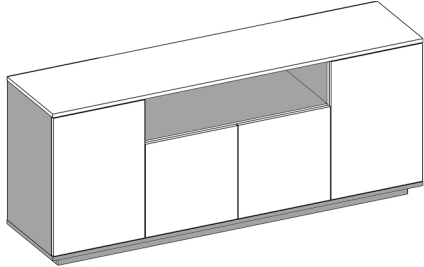


3



- B0502 x6
- B0503 x6
- B0504 x6
- B0501 x6



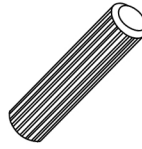


B0502

B0503

B0504

B0501

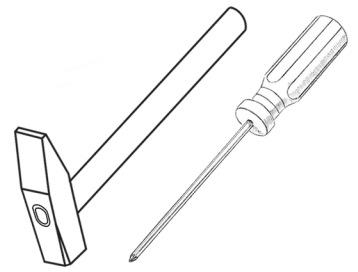


x6

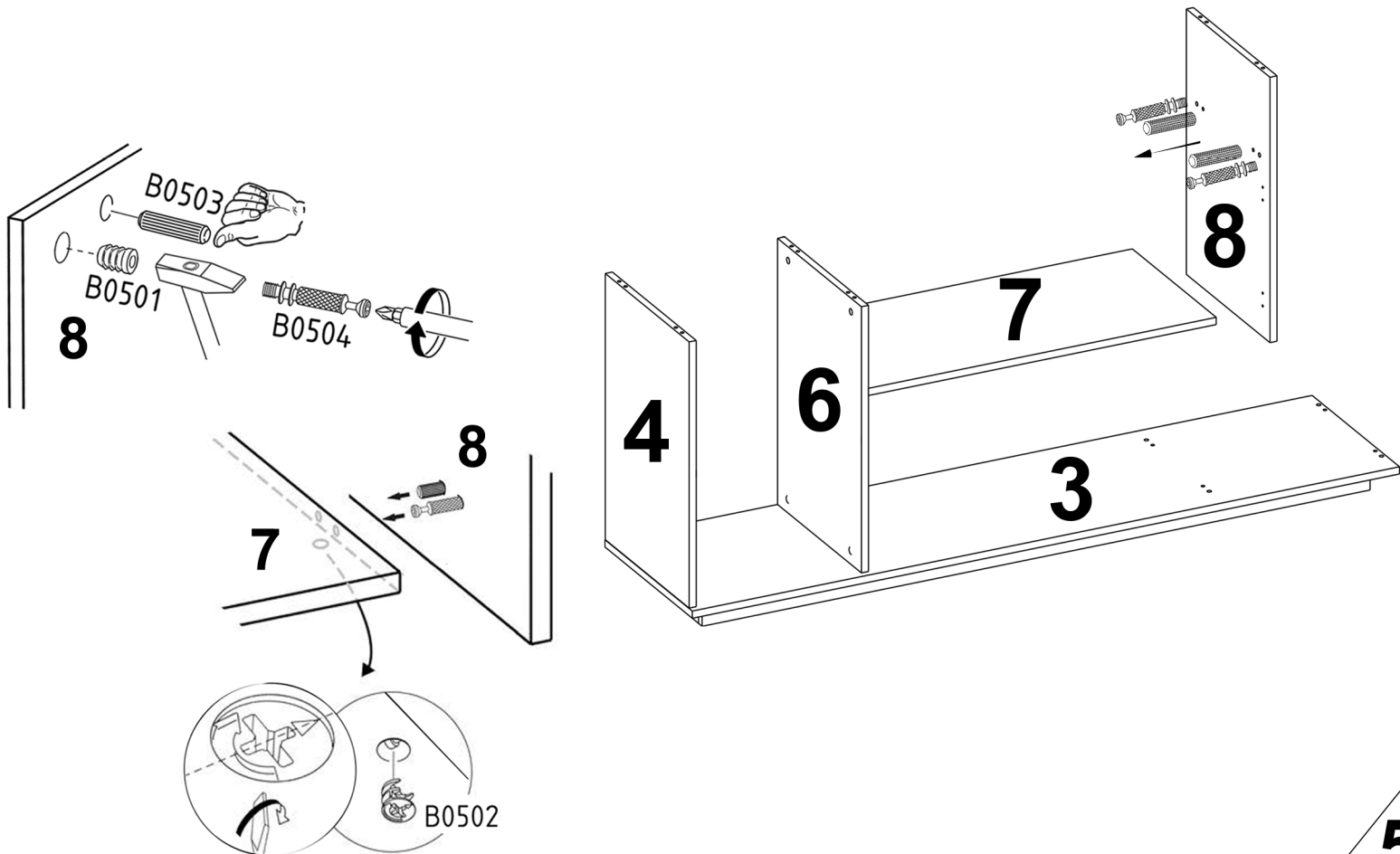
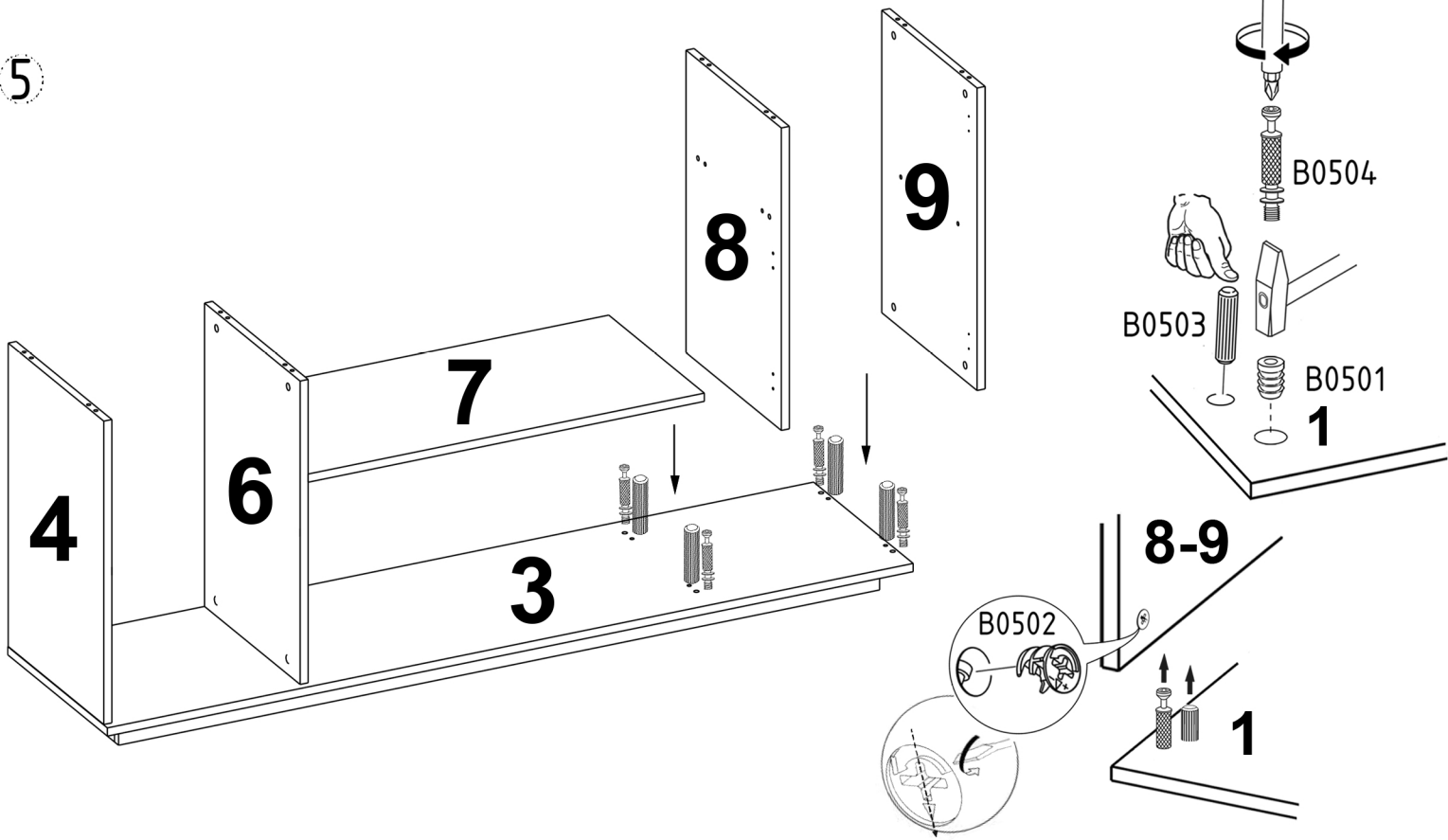
x6

x6

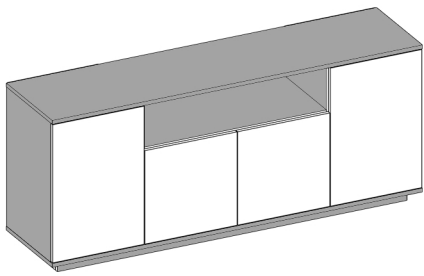
x6



5



5



B0502

B0503

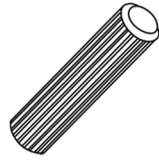
B0504

B0501

B0509



x8



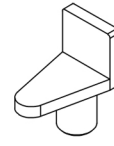
x8



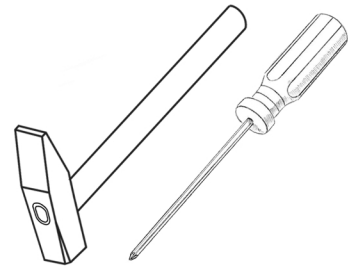
x8



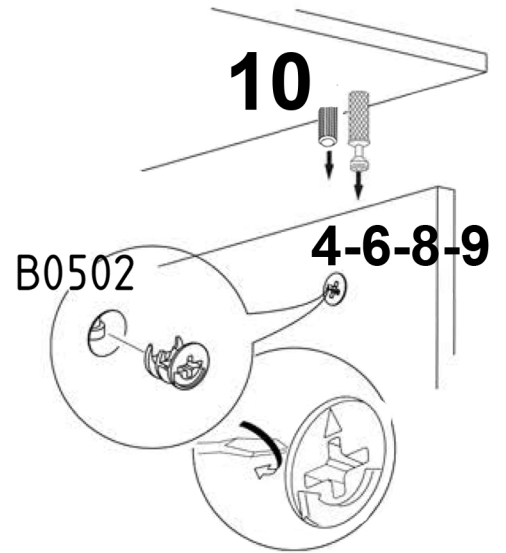
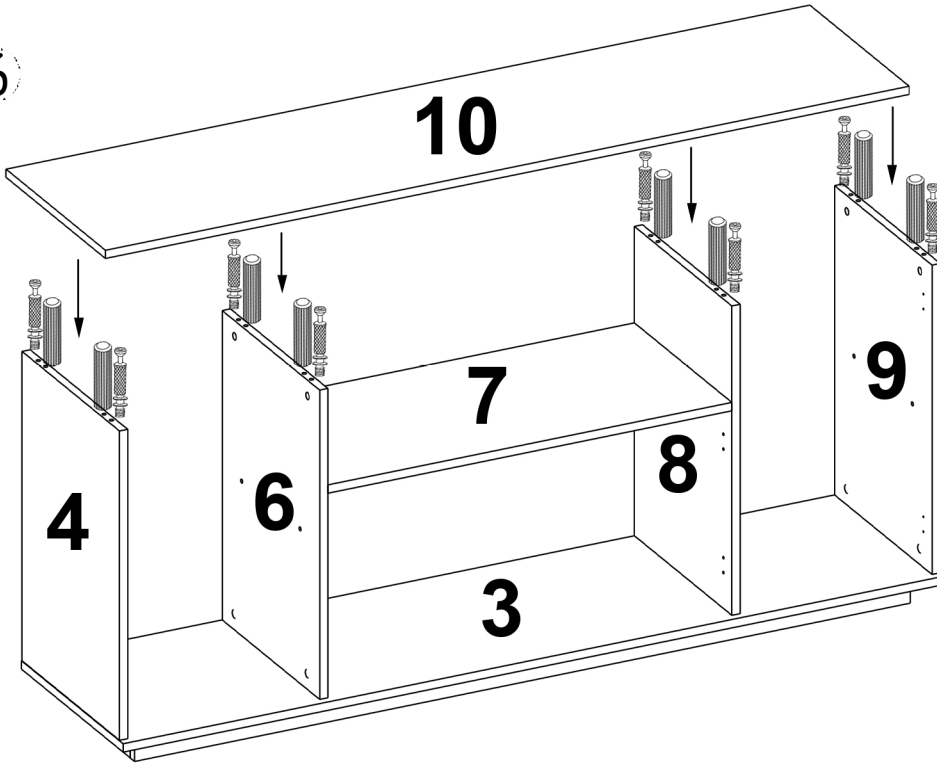
x8



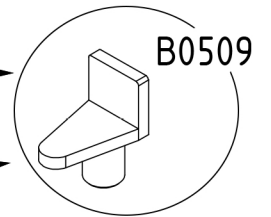
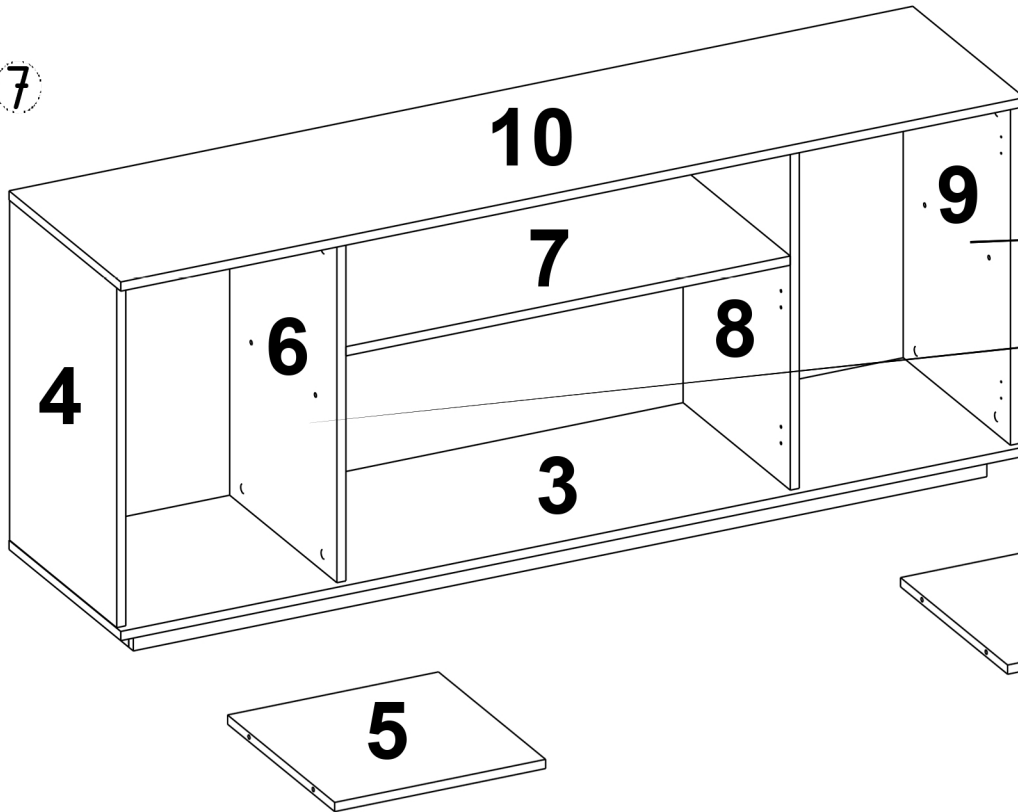
x8

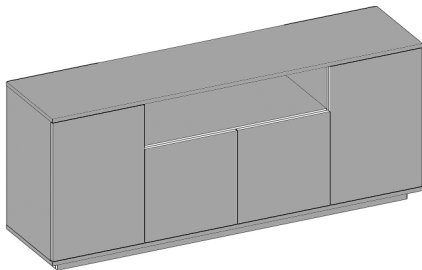


6



7



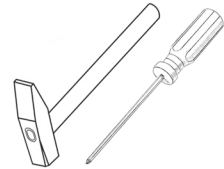
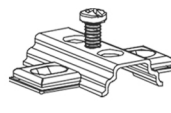
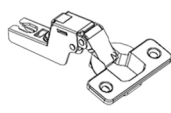
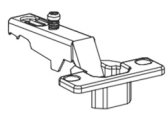


B0101

B0103

B0105

B0301



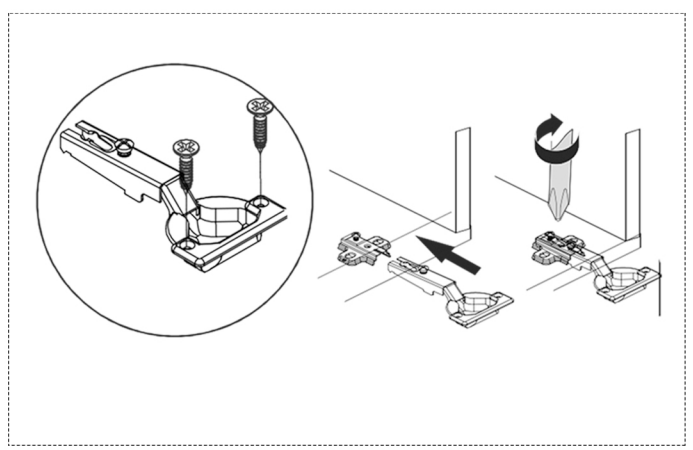
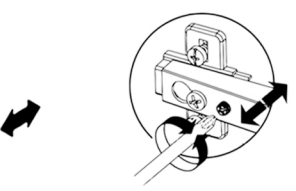
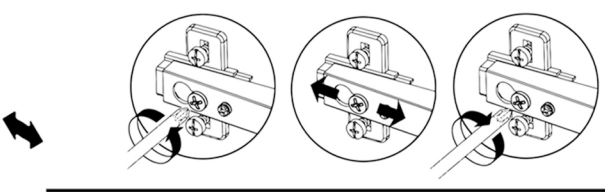
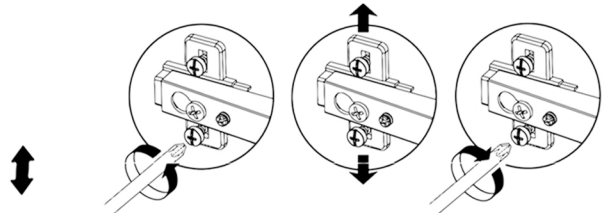
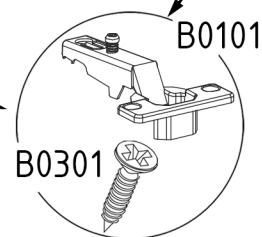
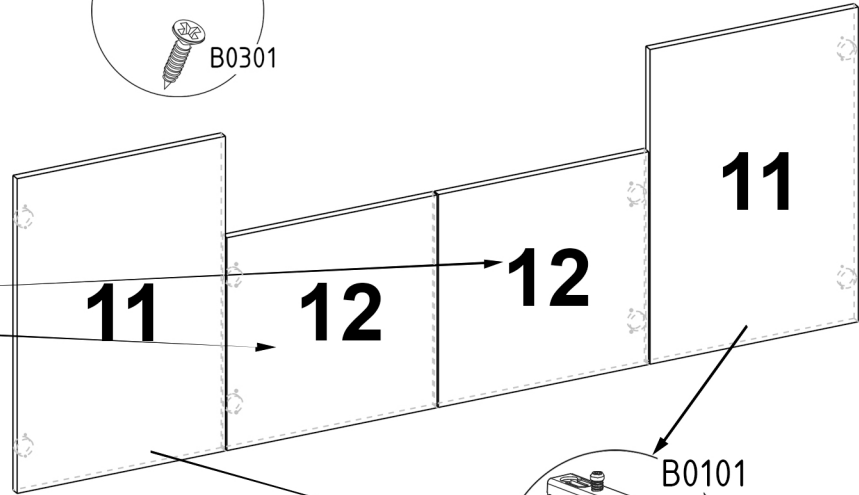
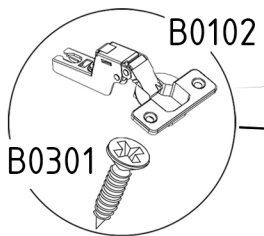
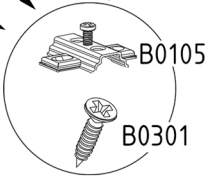
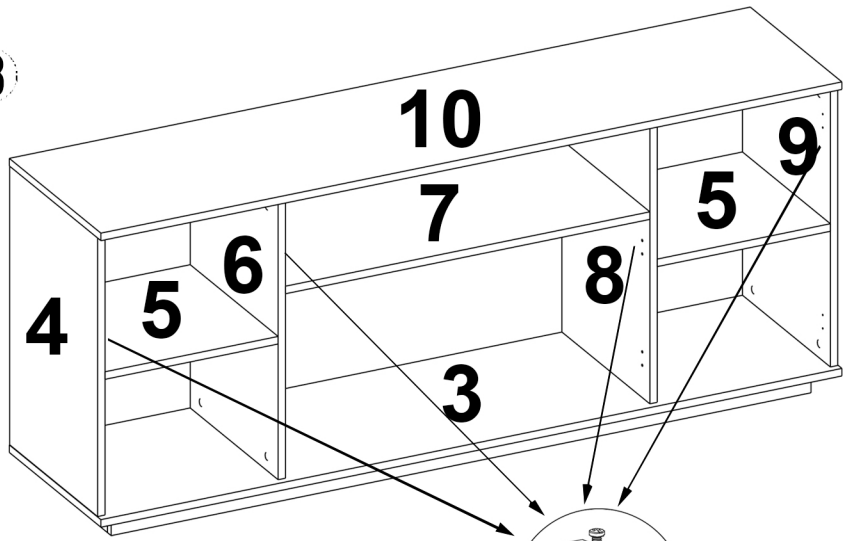
x4

x4

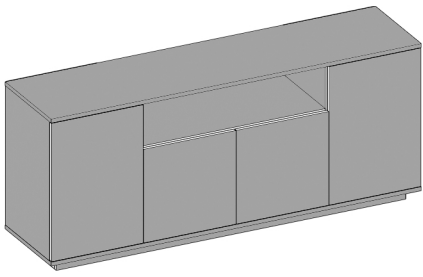
x8

x32

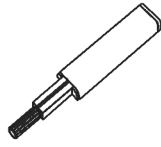
8



6



B1403



x4

B0301

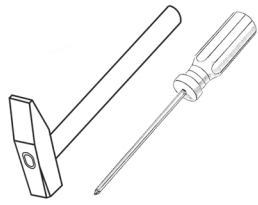


x8

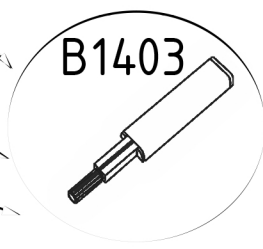
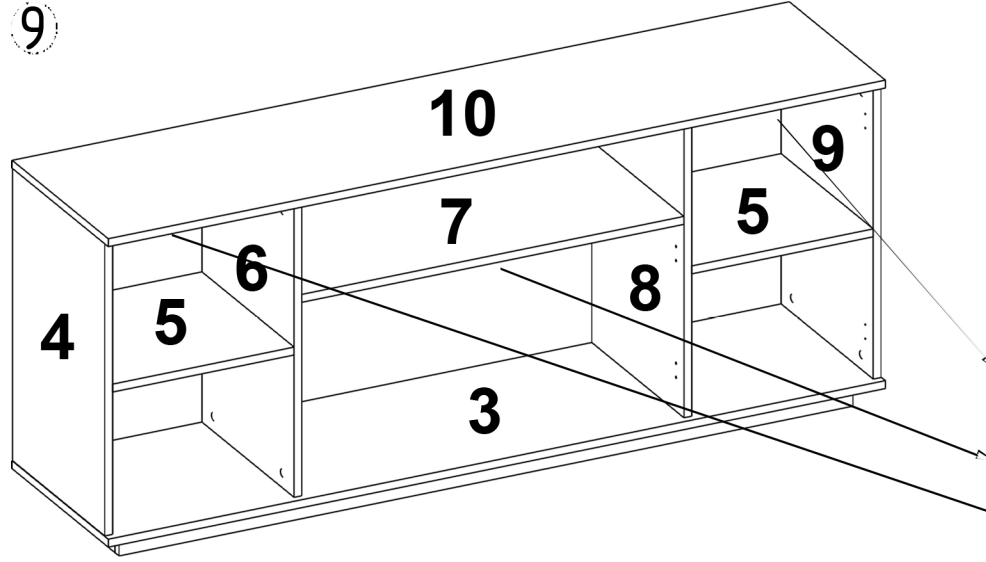
B0318



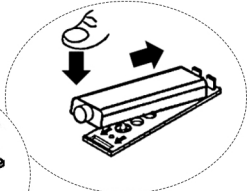
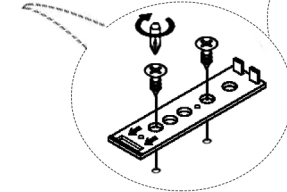
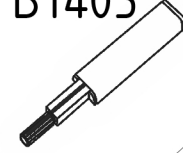
x55



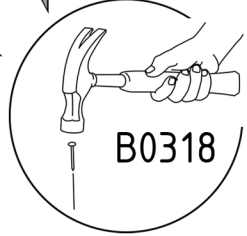
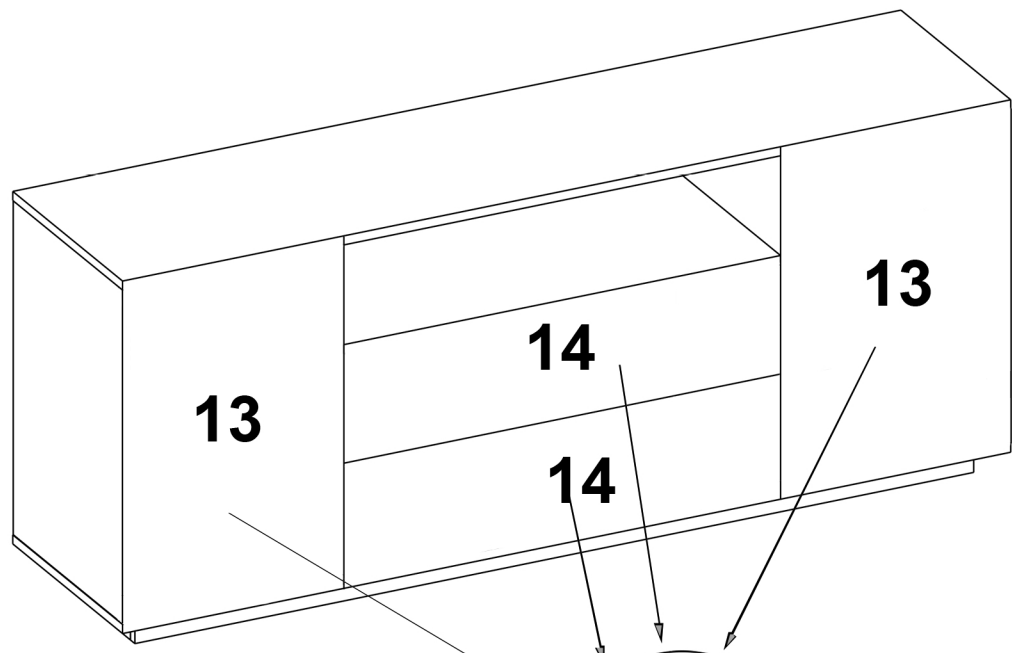
9



B1403



10



B0318