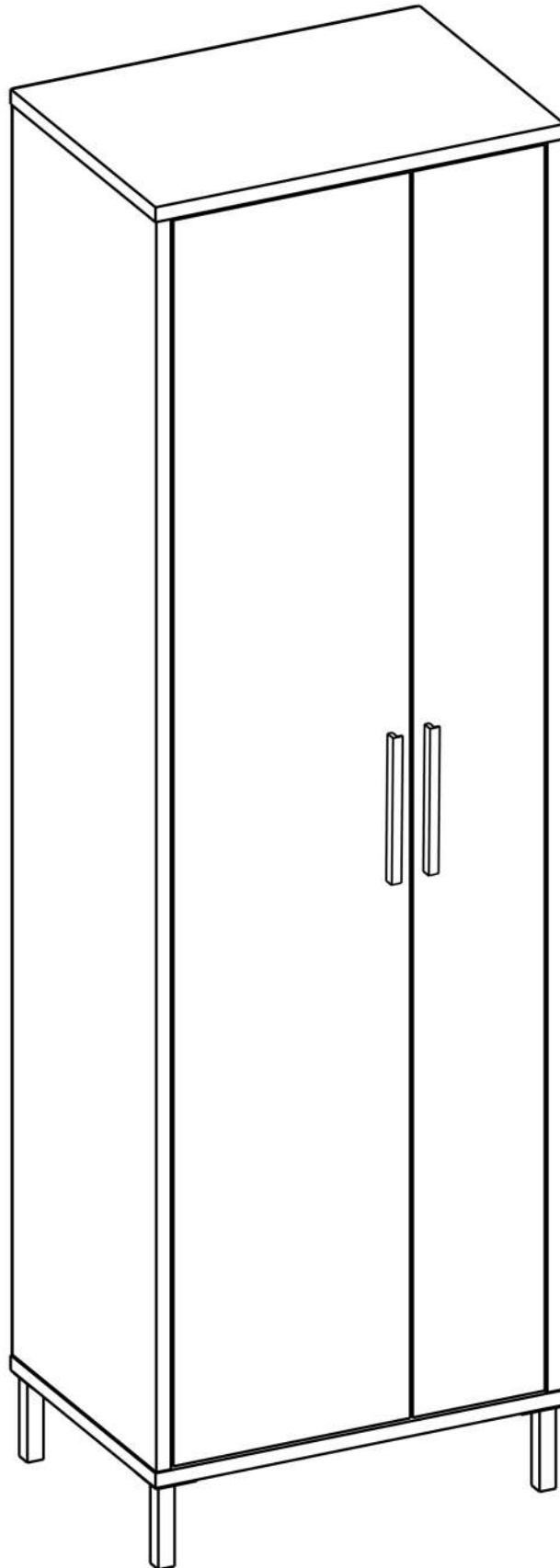





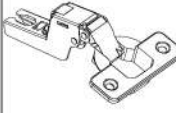


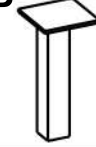





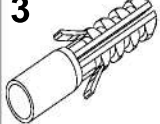
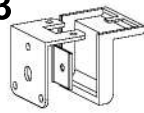
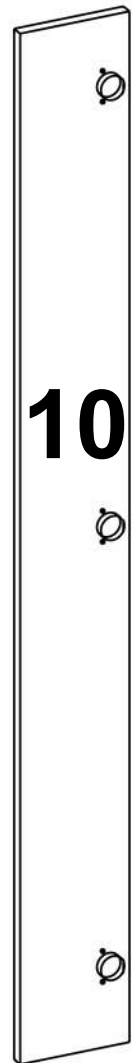
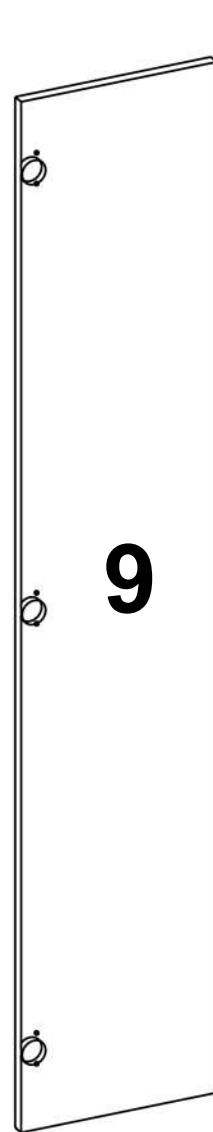
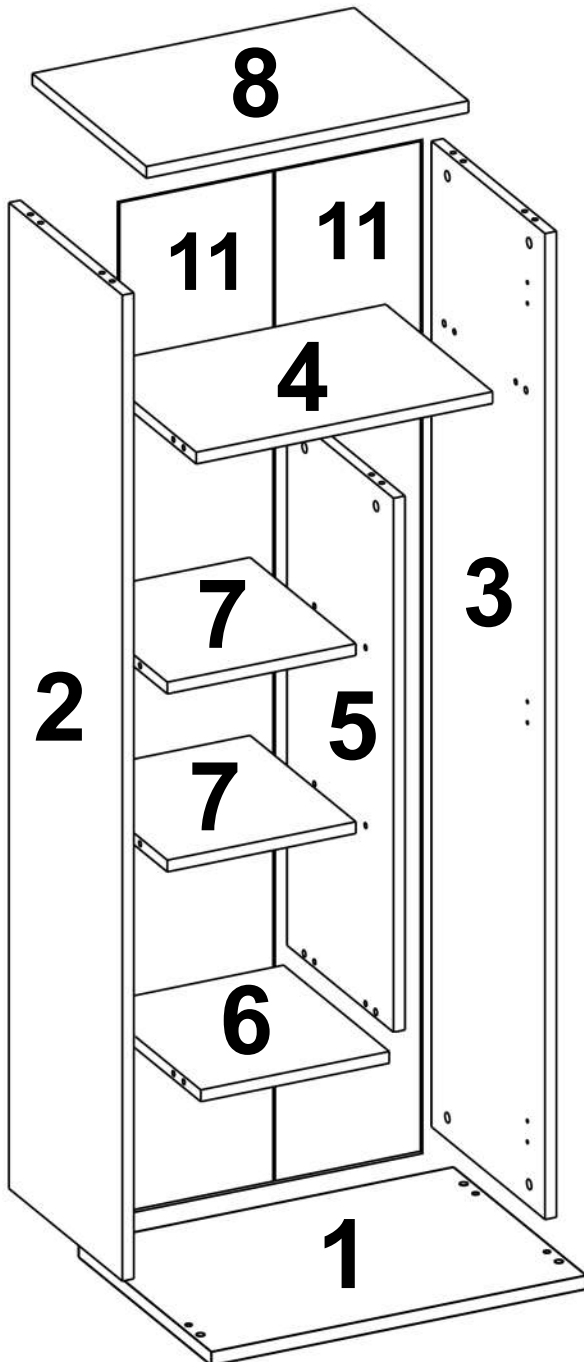


176-000128

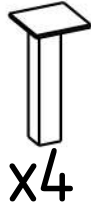


<b>1</b>  B0501 x19	<b>1</b>  B0502 x19	<b>1</b>  B0503 x19	<b>1</b>  B0504 x19	<b>2</b>  B0301 x39
<b>3</b>  B0103 x6	<b>3</b>  B0105 x6	<b>1</b>  B0509 x8	<b>P</b>  D0154 x4	<b>2</b>  B1702 x4
<b>2</b>  B0307 x4	<b>P</b>  B0201 x2	<b>2</b>  B0318 x28	<b>2</b>  B0306 x1	<b>3</b>  B0317 x1
<b>3</b>  B1303 x1				





D0154



x4

B0502



x2

B0503



x2

B0504



x2

B0501

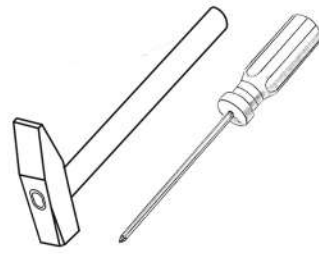


x2

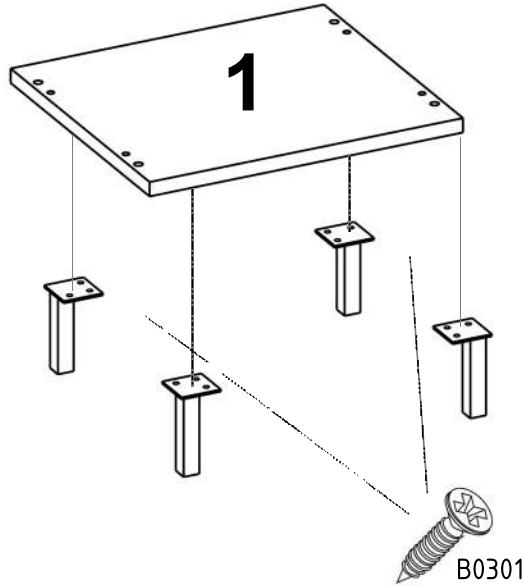
B0301



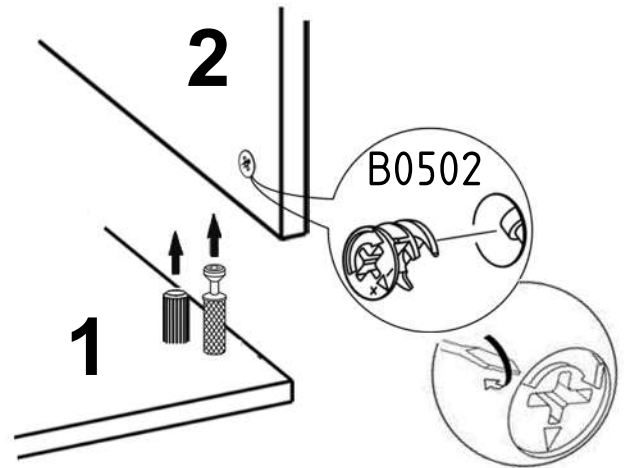
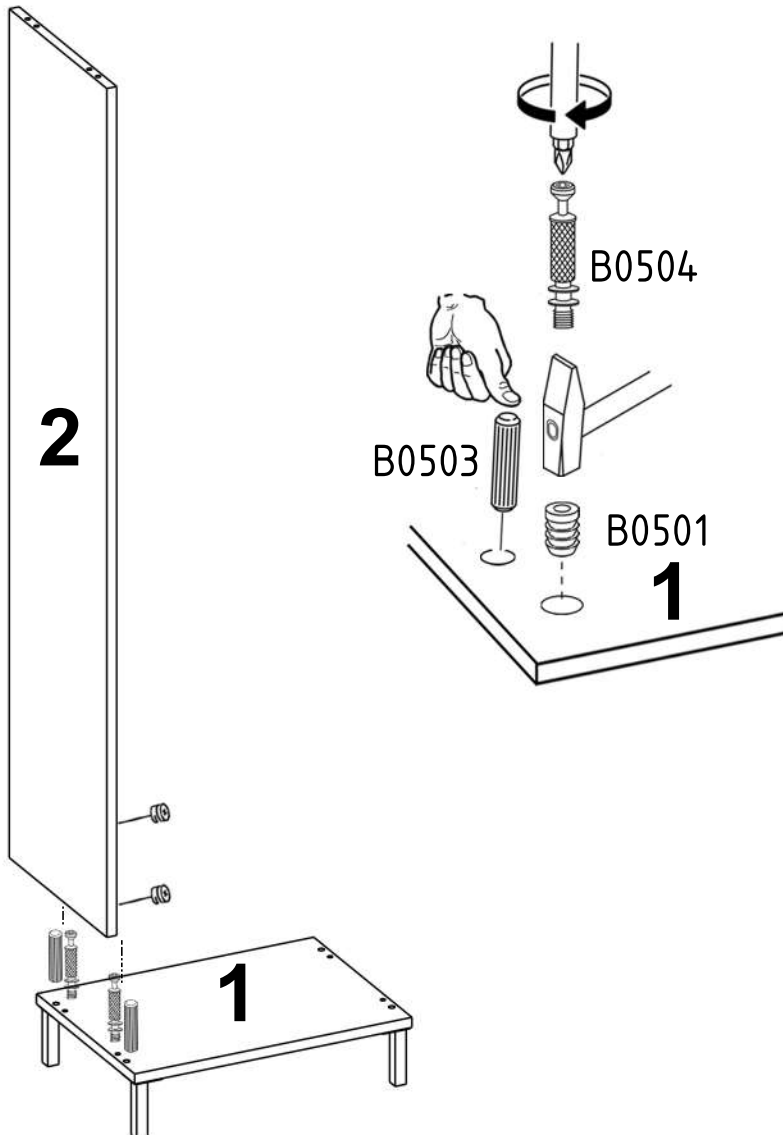
x12



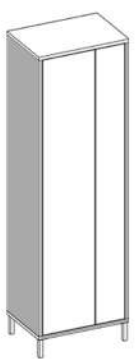
1



2



3



B0502



x6

B0503



x6

B0504

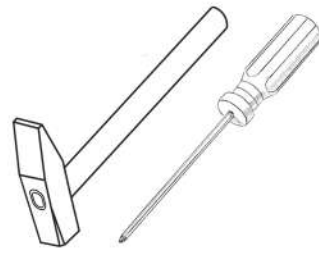


x6

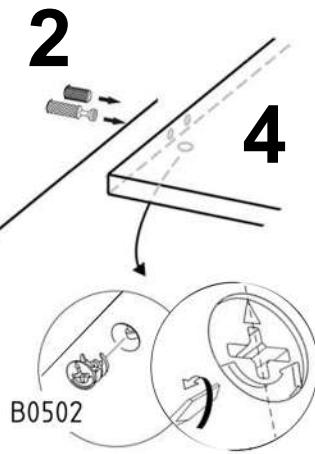
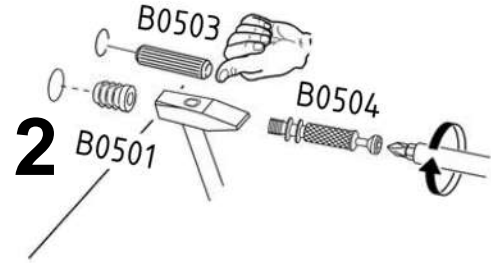
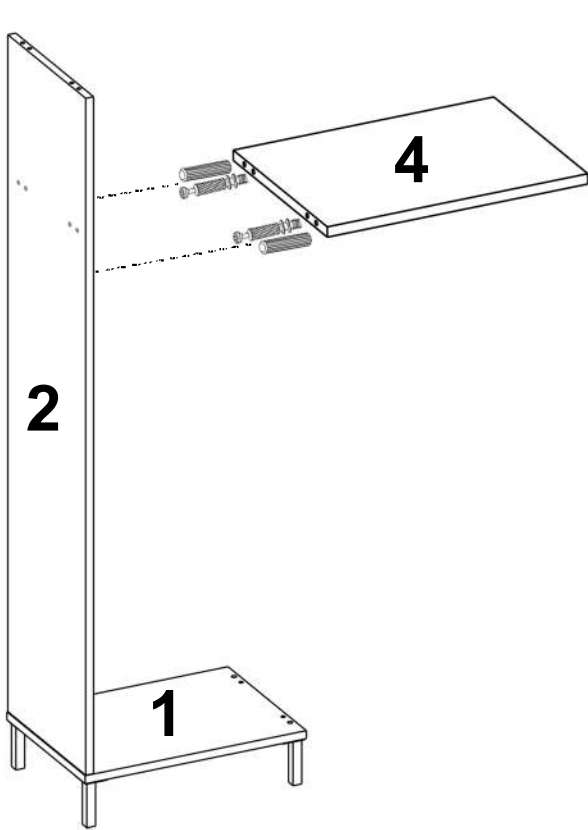
B0501



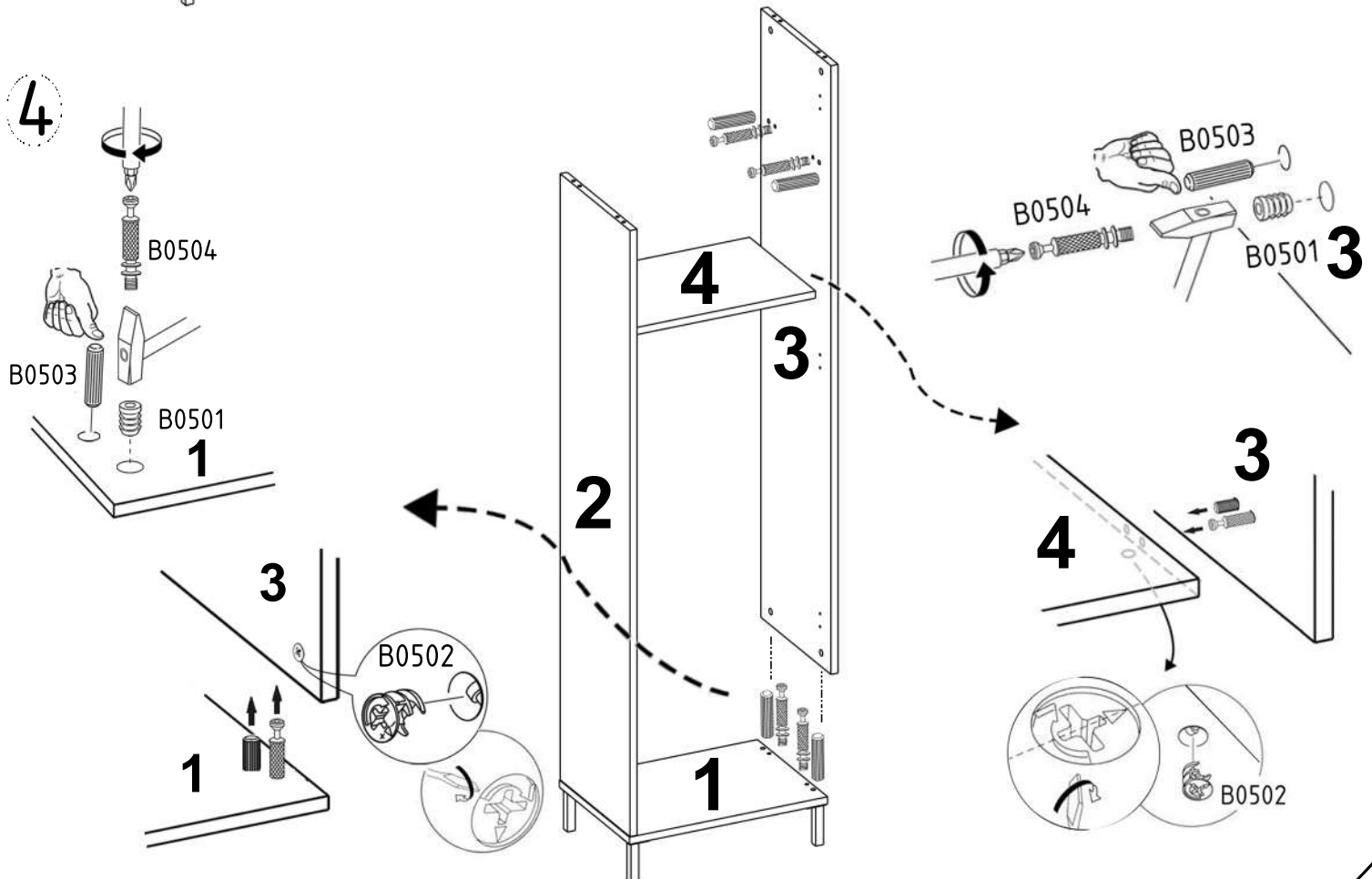
x6



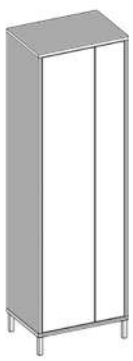
3



4



4



B0502



x6

B0503



x6

B0504

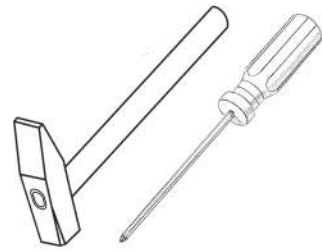


x6

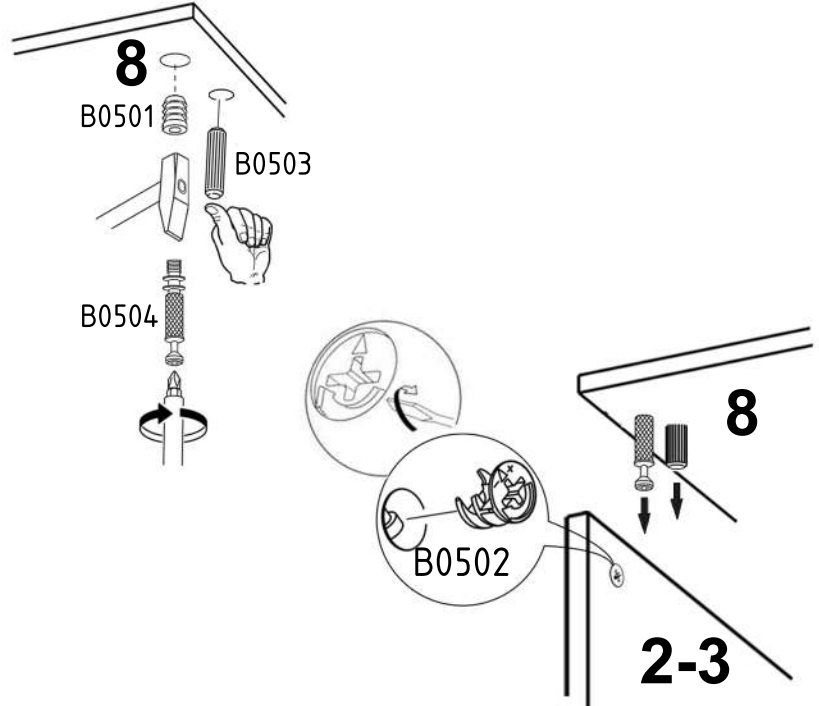
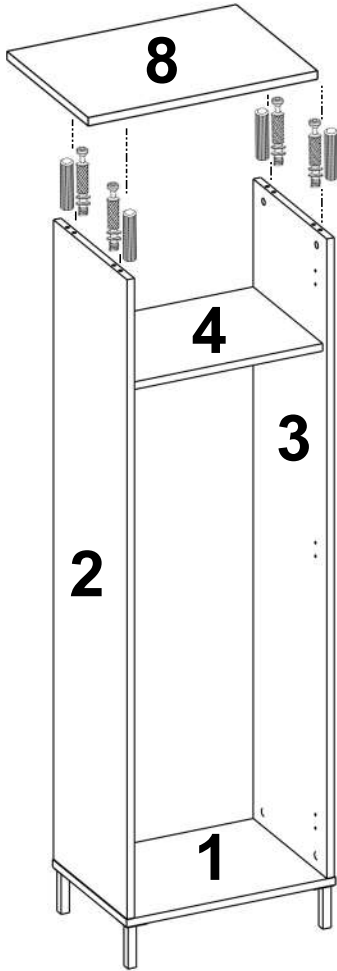
B0501



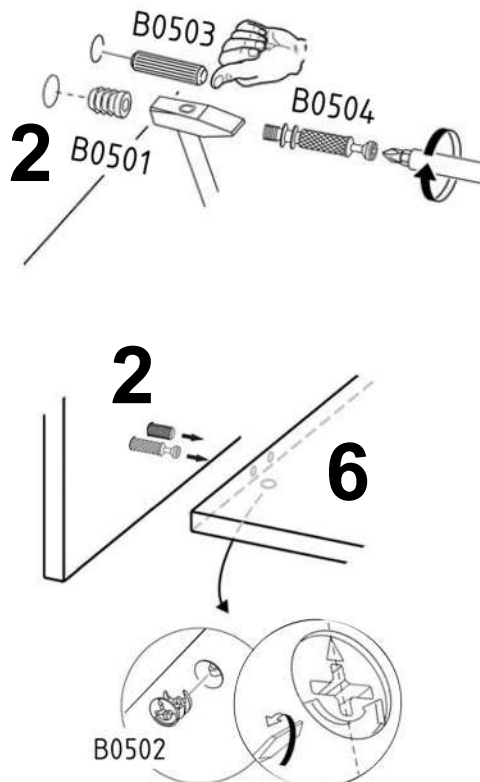
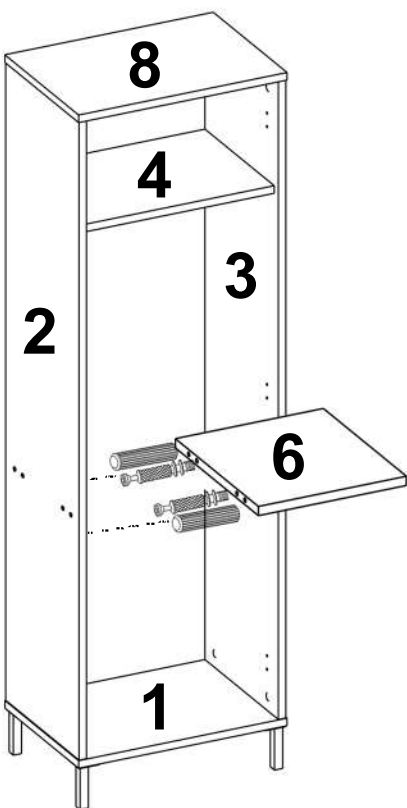
x6

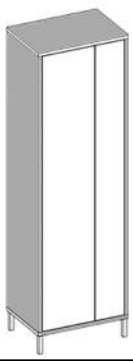


5



6





B0502



x4

B0503



x4

B0504



x4

B0501

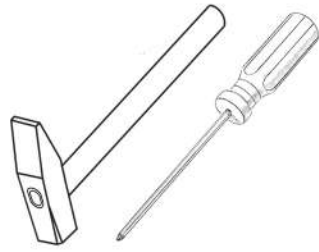


x4

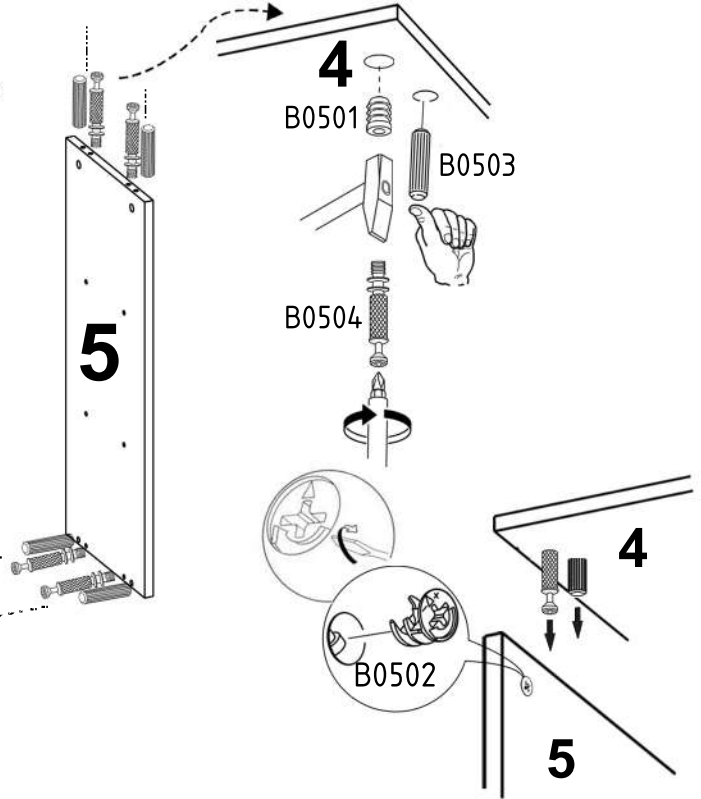
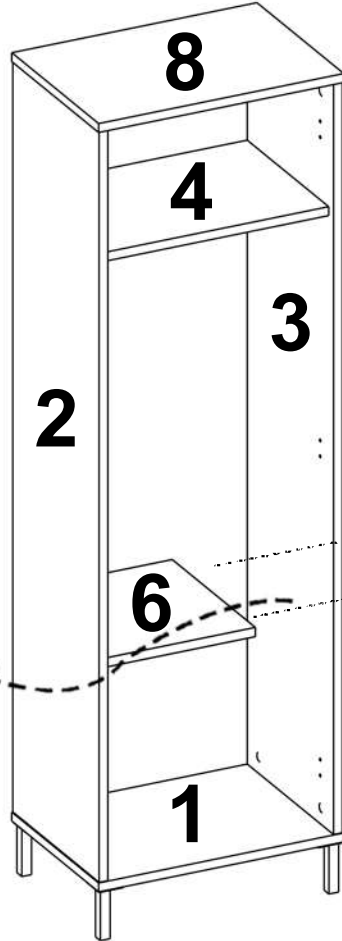
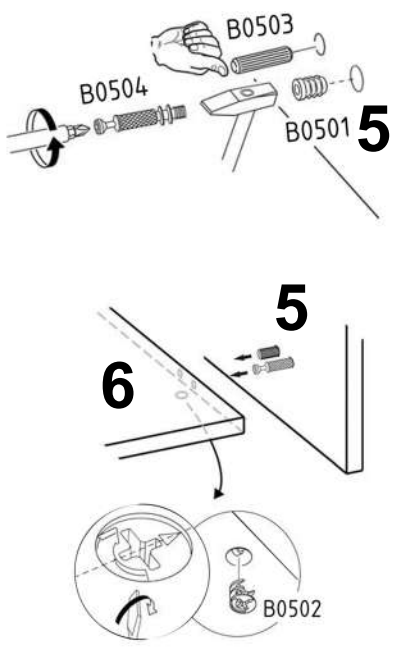
B0509



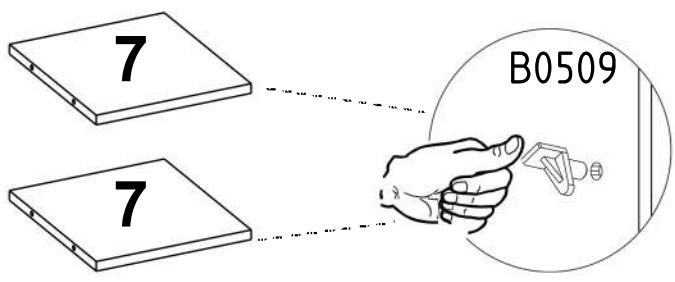
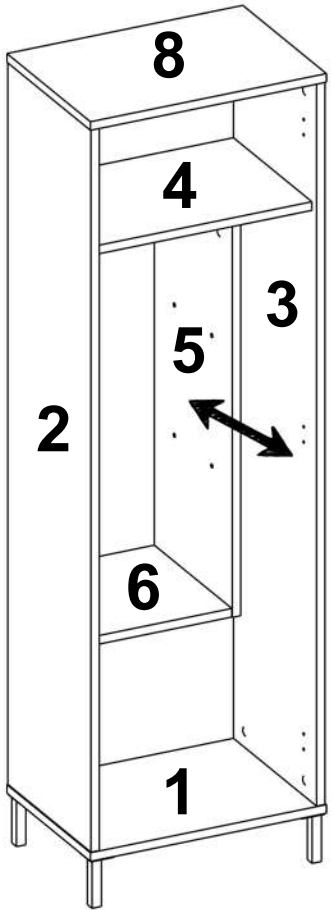
x8



7



8



6



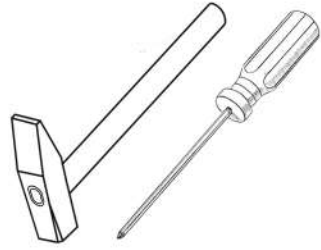
B0103

B0105

B0301

B0307

B0201



x6

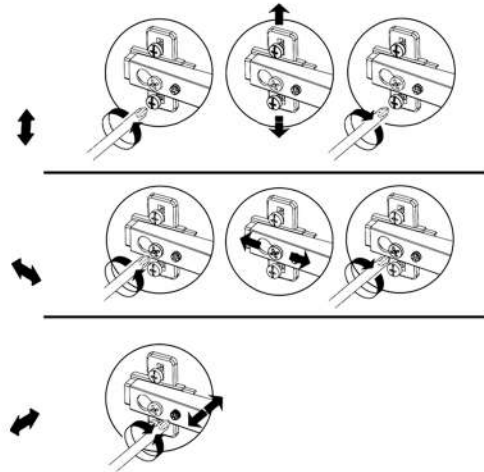
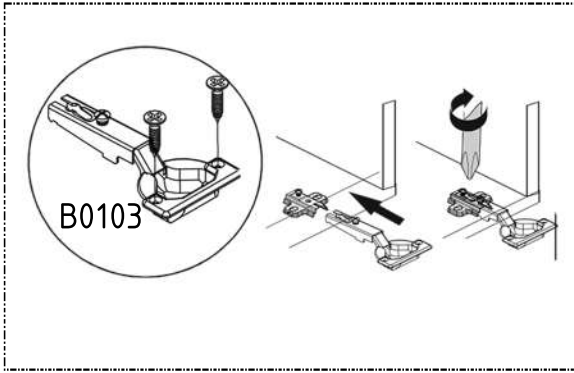
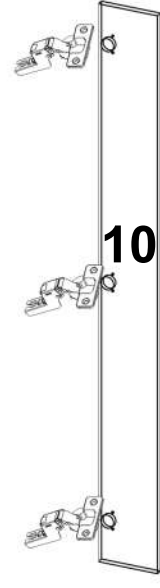
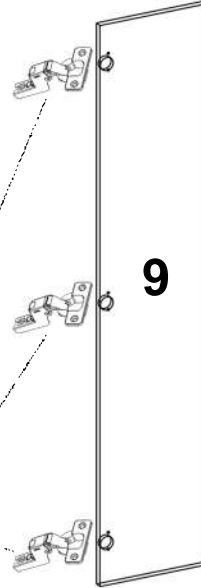
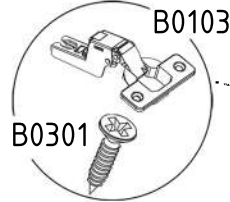
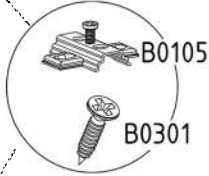
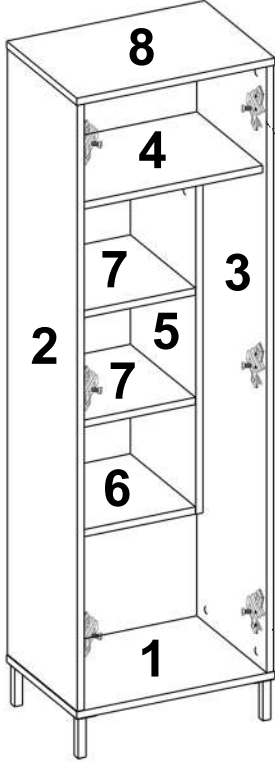
x6

x24

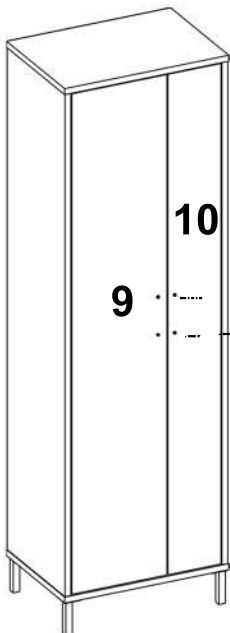
x4

x2

9



10

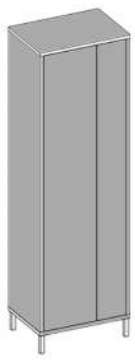


B0307

B0201



9-10



B1702

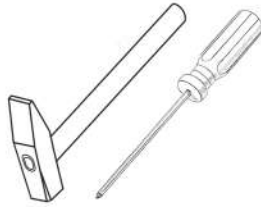
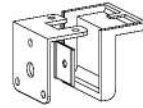
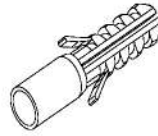
B0318

B0306

B0317

B1303

B0301



x4

x28

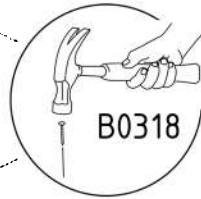
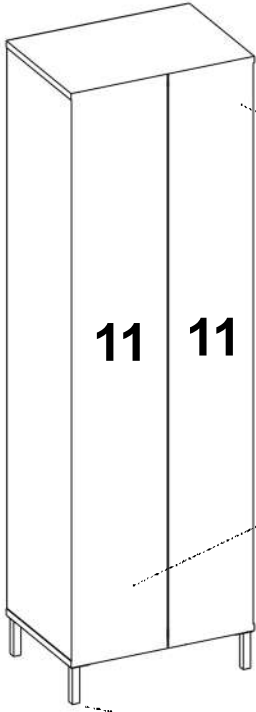
x1

x1

x1

x2

10



11

