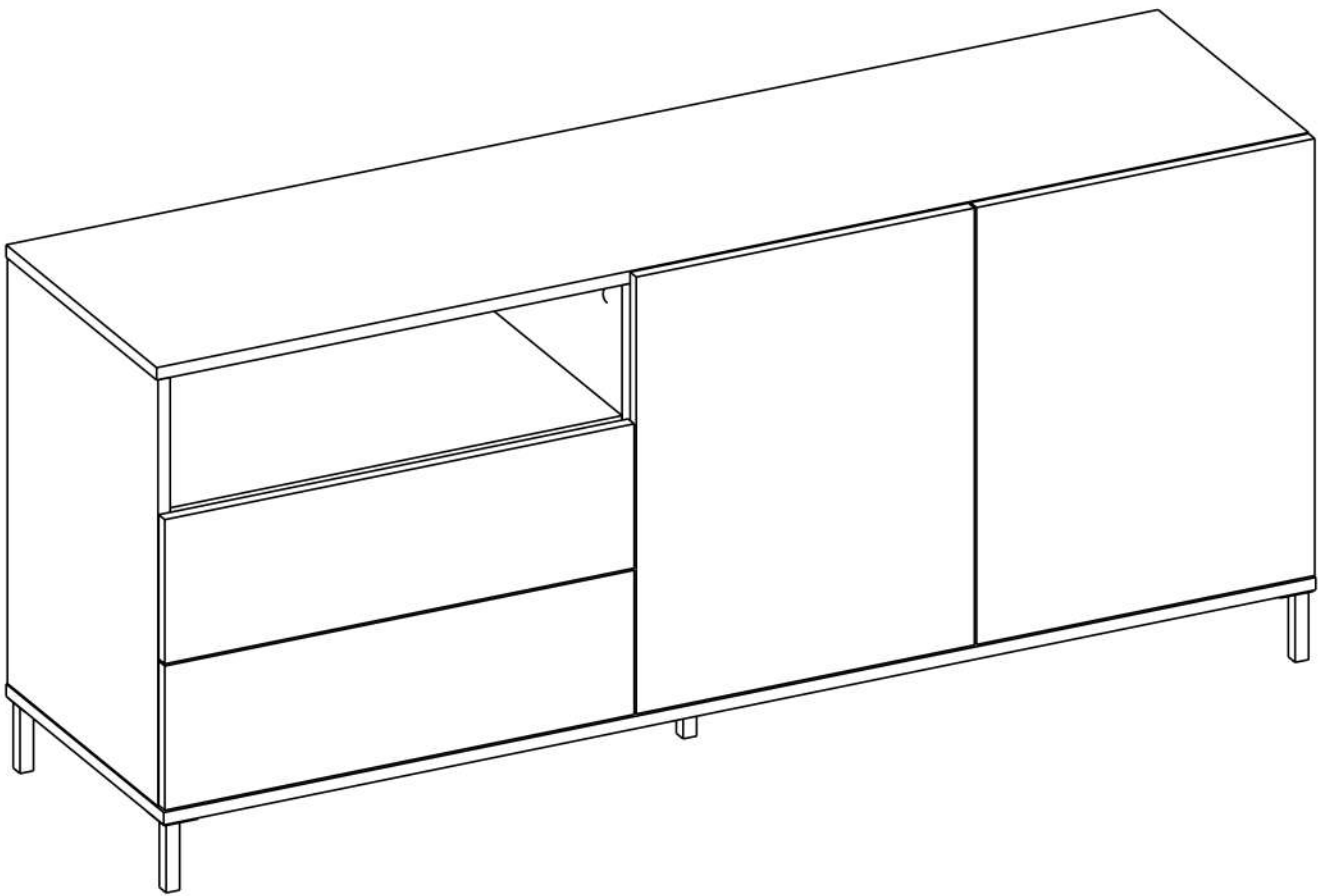










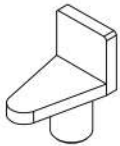



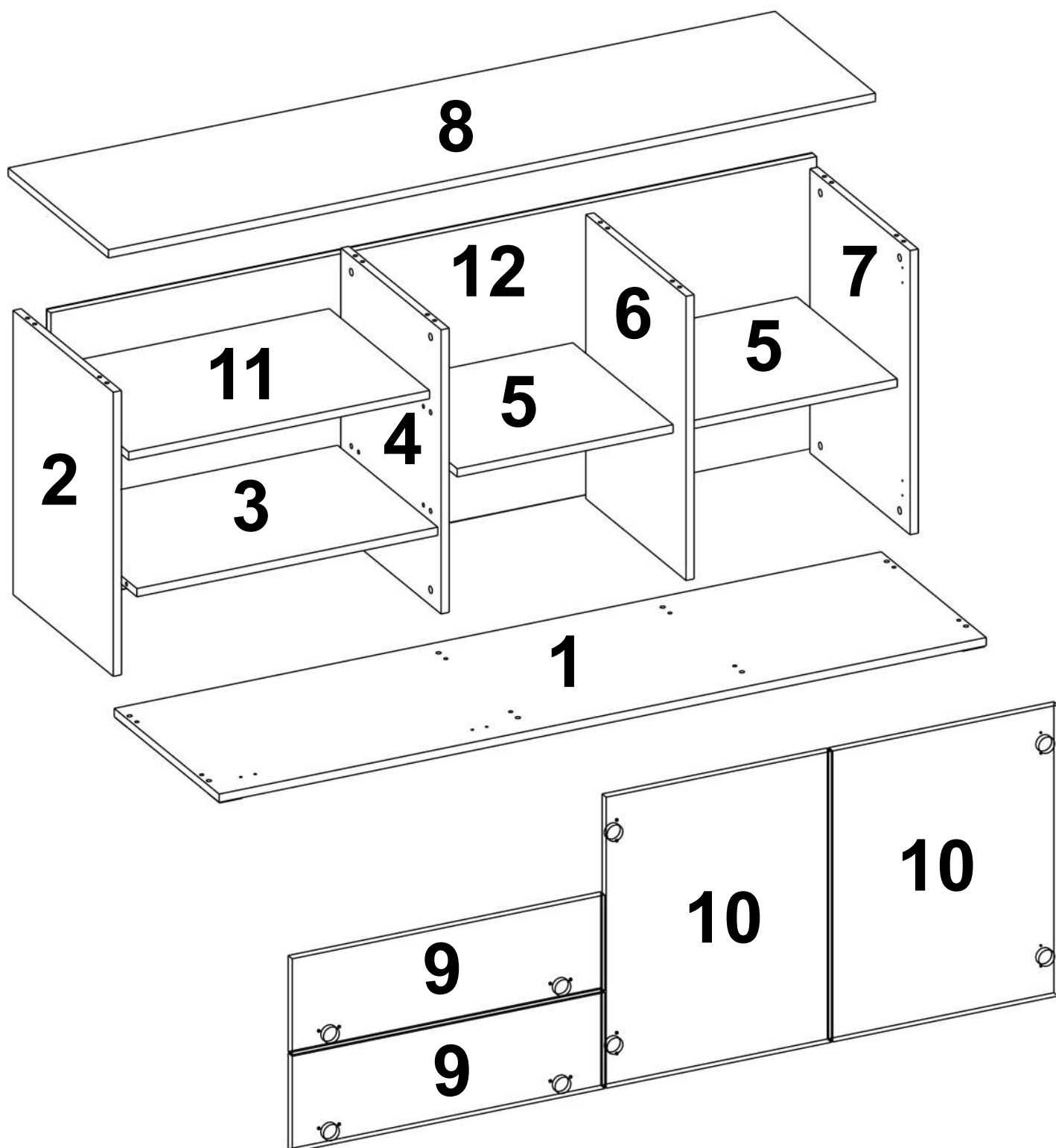
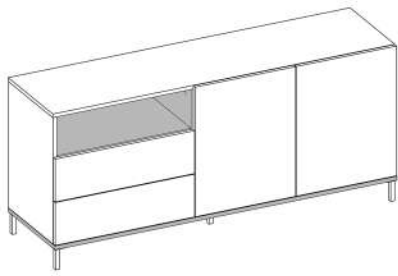


176-000124



| | | | | |
|---|--|---|--|---|
|  B0501 x25 |  B0502 x25 |  B0503 x25 |  B0504 x25 |  B0301 x56 |
|  D0154 x5 |  B0318 x40 |  B0103 x4 |  B0105 x8 |  B0102 x2 |
|  B0509 x8 |  B1702 x5 |  B0101 x2 |  B1405 x4 | |





B0502



x10

B0503



x10

B0504

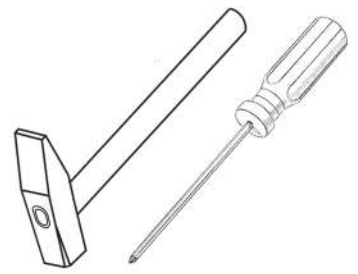


x10

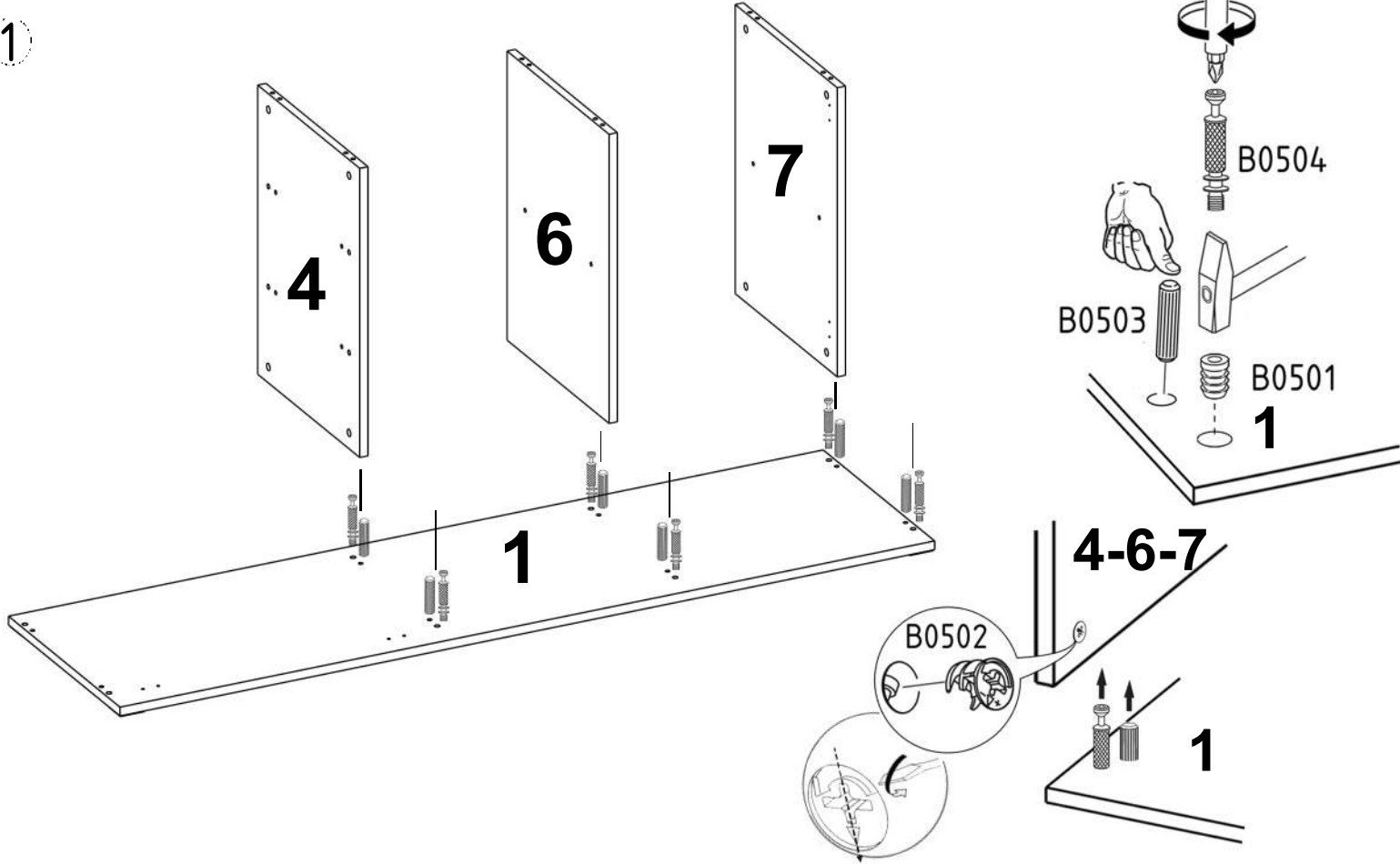
B0501



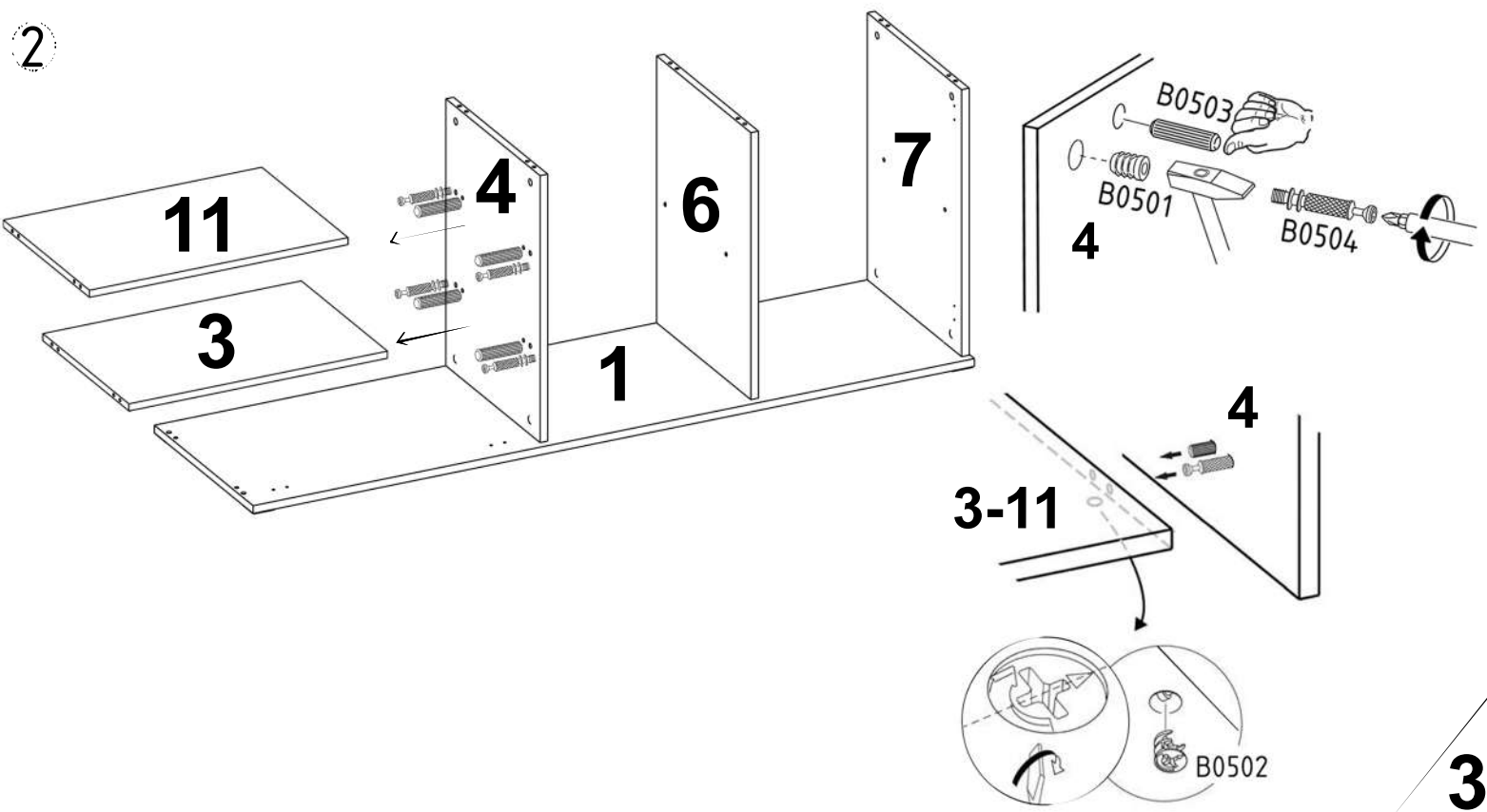
x10



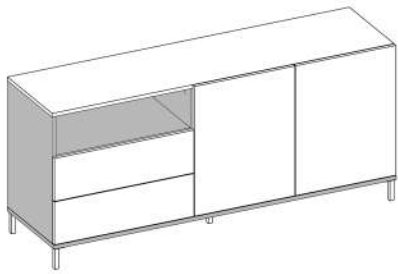
1



2



3



B0502

B0503

B0504

B0501



x6



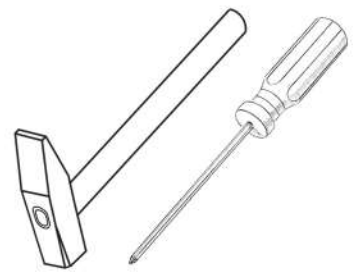
x6



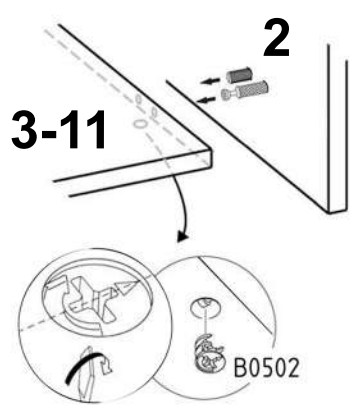
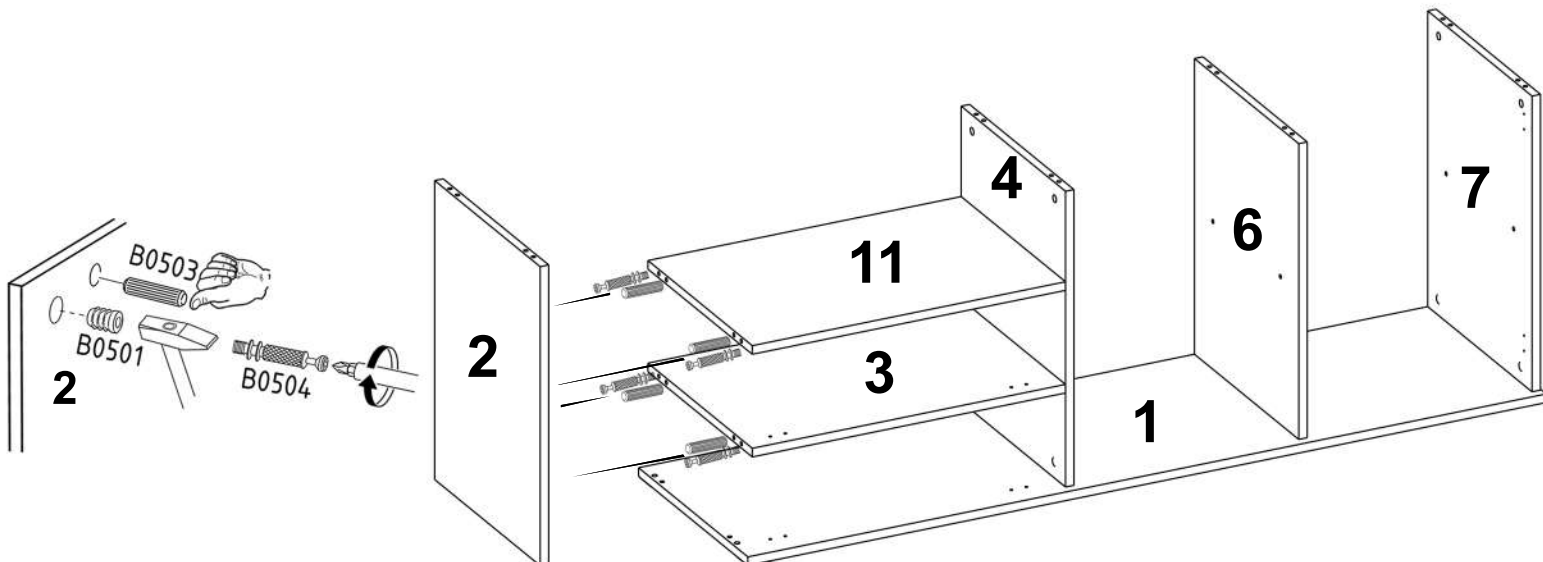
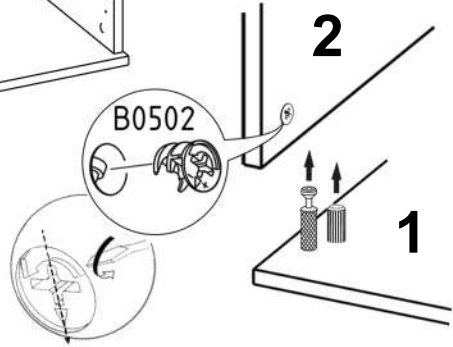
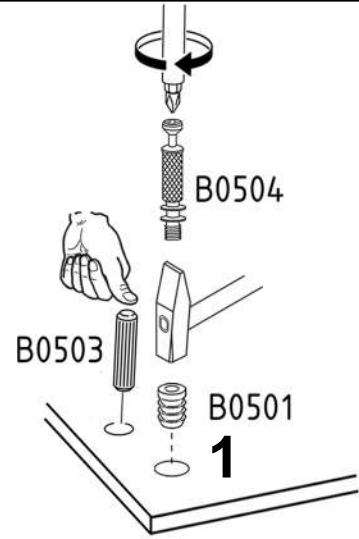
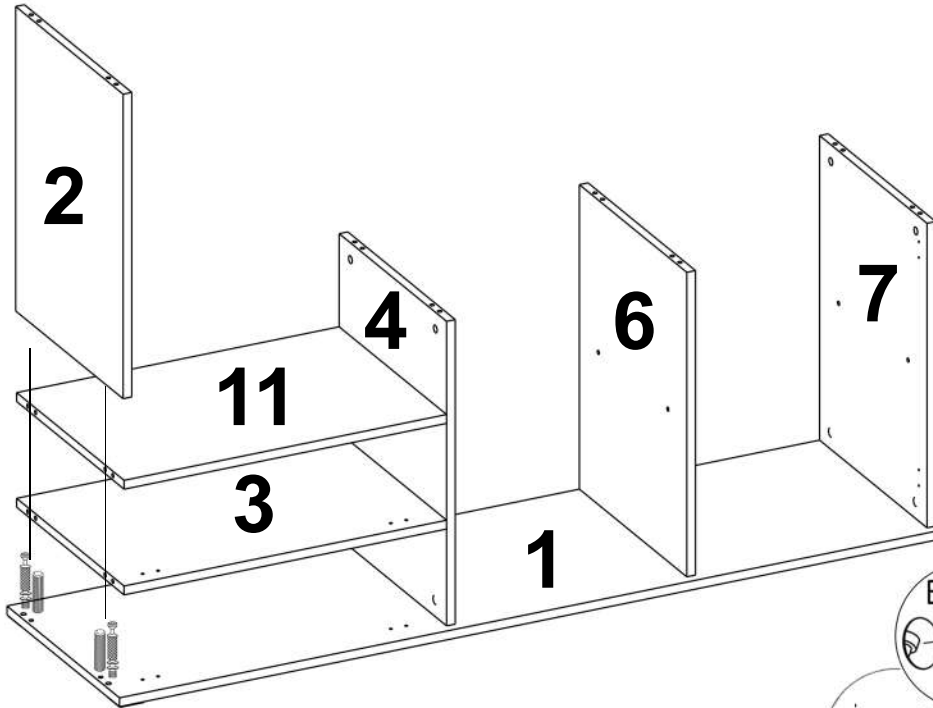
x6



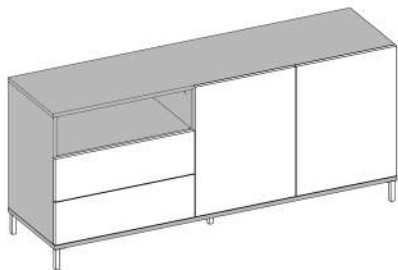
x6



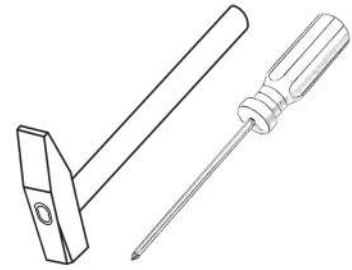
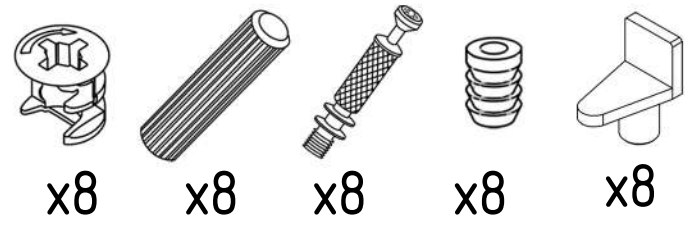
3



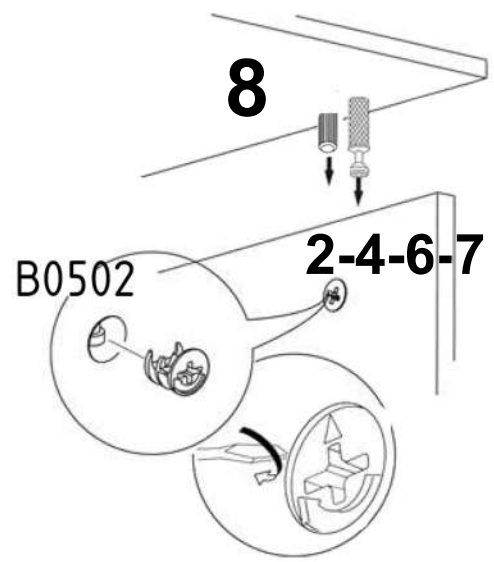
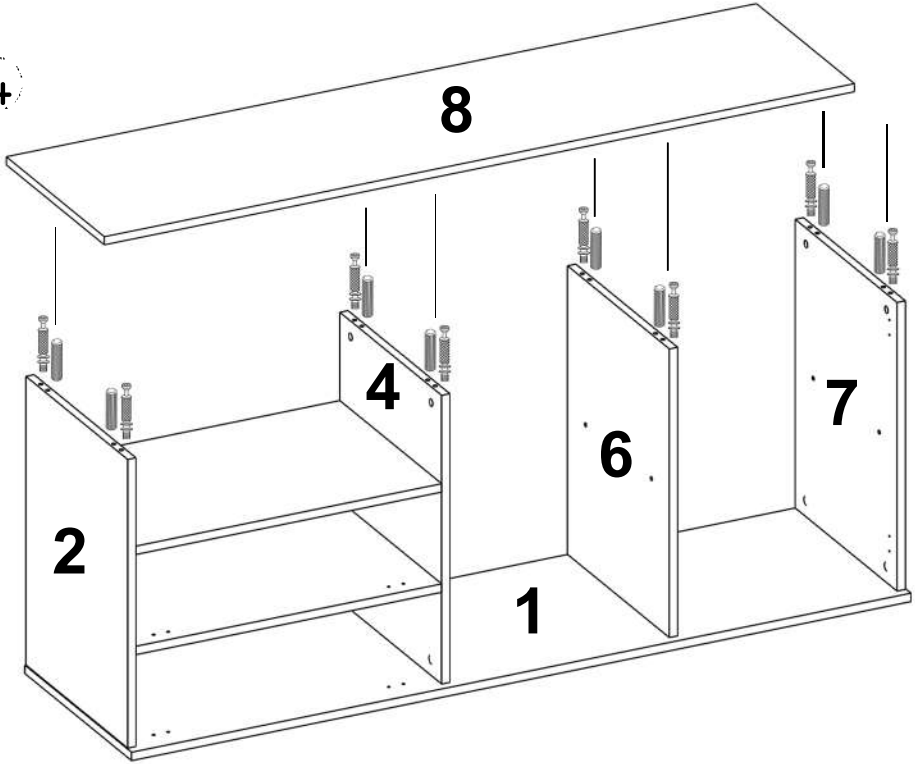
4



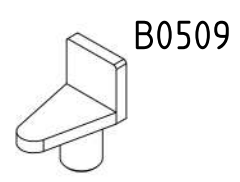
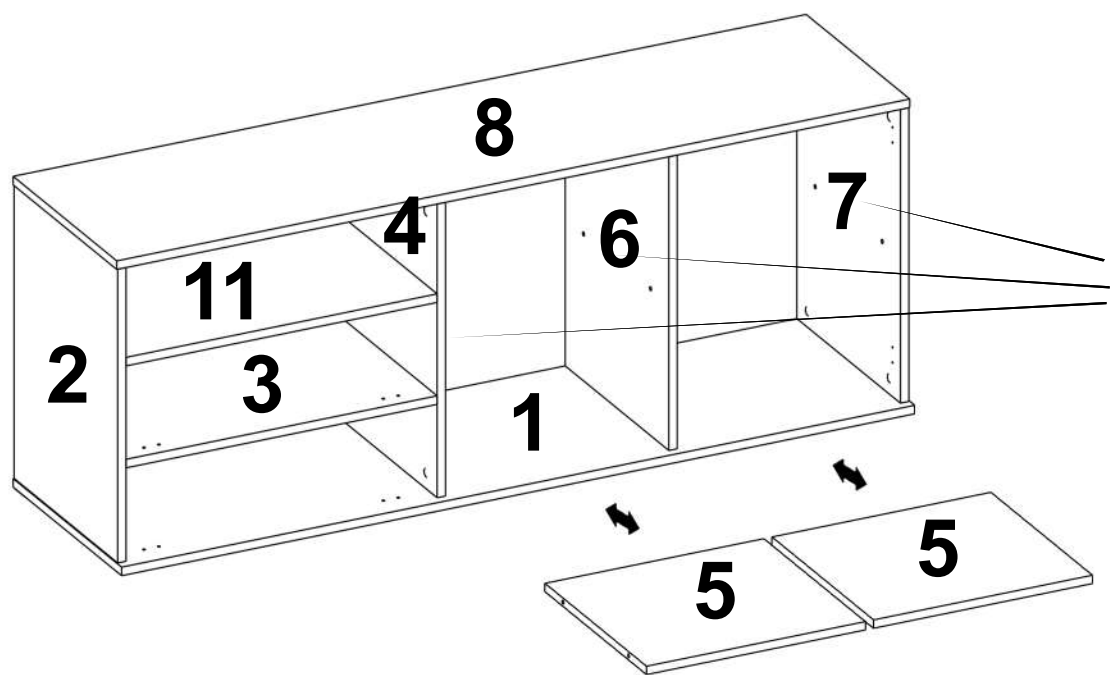
B0502 B0503 B0504 B0501 B0509

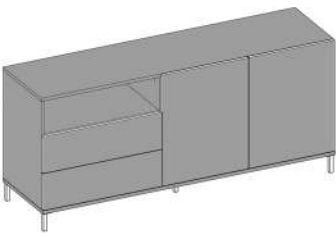


4



5





B0101

B0103

B0102

B0105

B0301

B1405



x2

x4

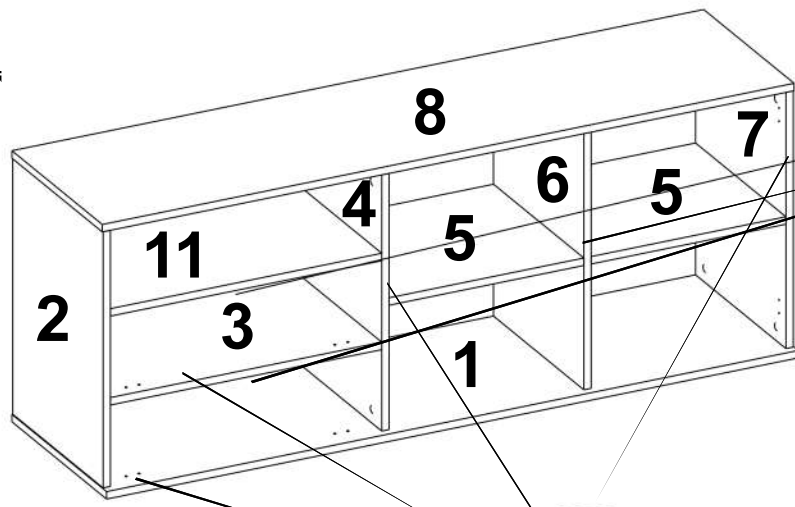
x2

x8

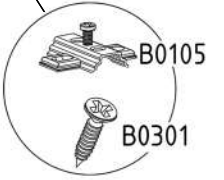
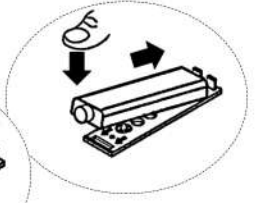
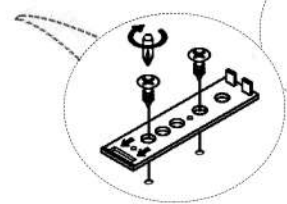
x40

x4

6

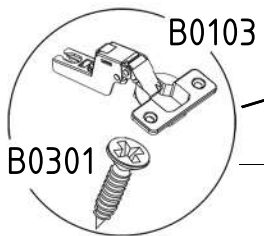
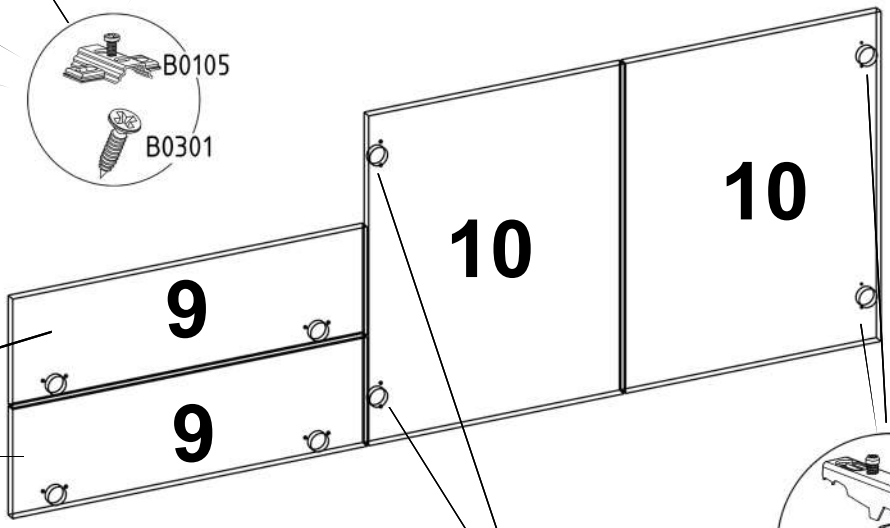


B1405



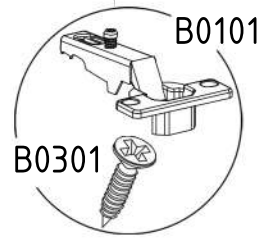
B0105

B0301



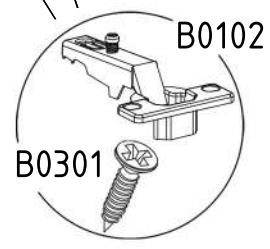
B0103

B0301



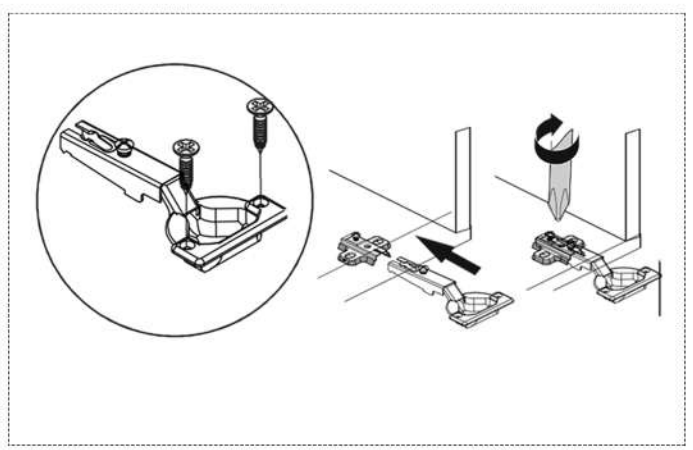
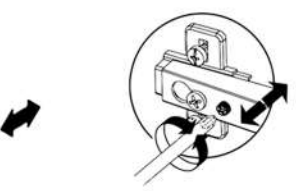
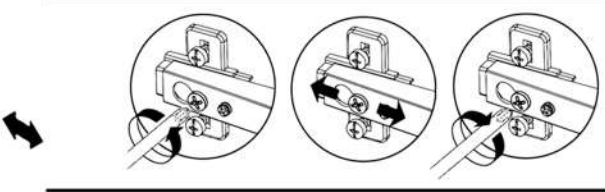
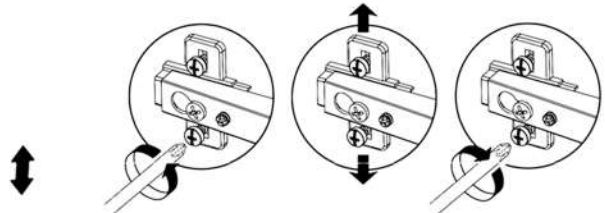
B0101

B0301

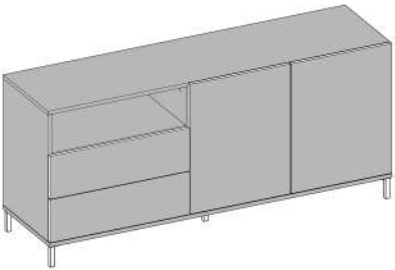


B0102

B0301



6

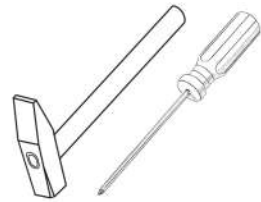


D0154

B0301

B0318

B1702



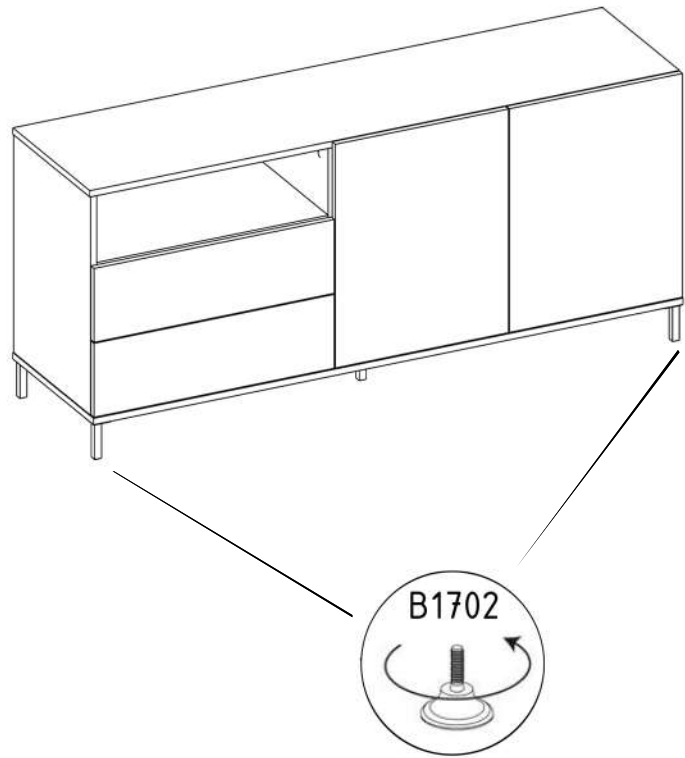
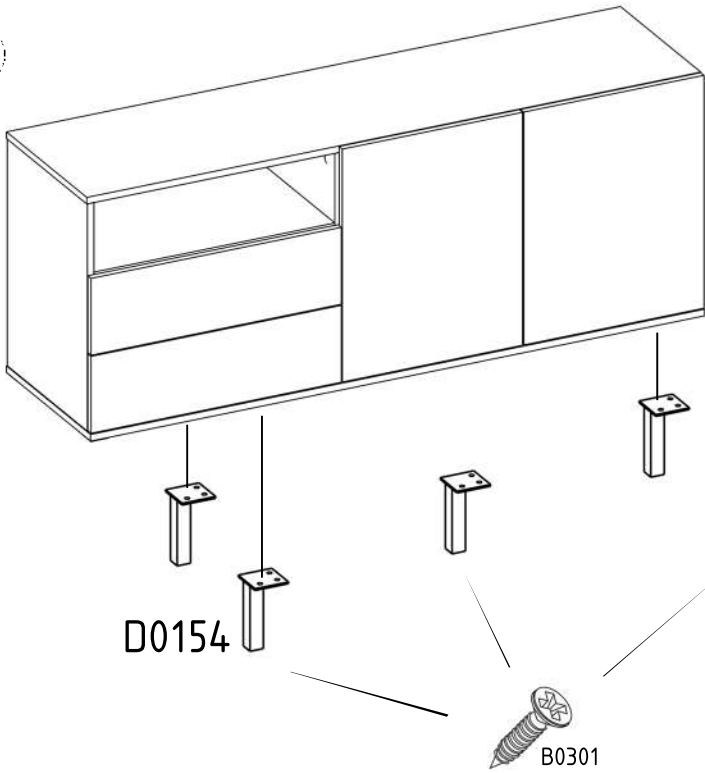
x5

x15

x4

x5

7



8

