










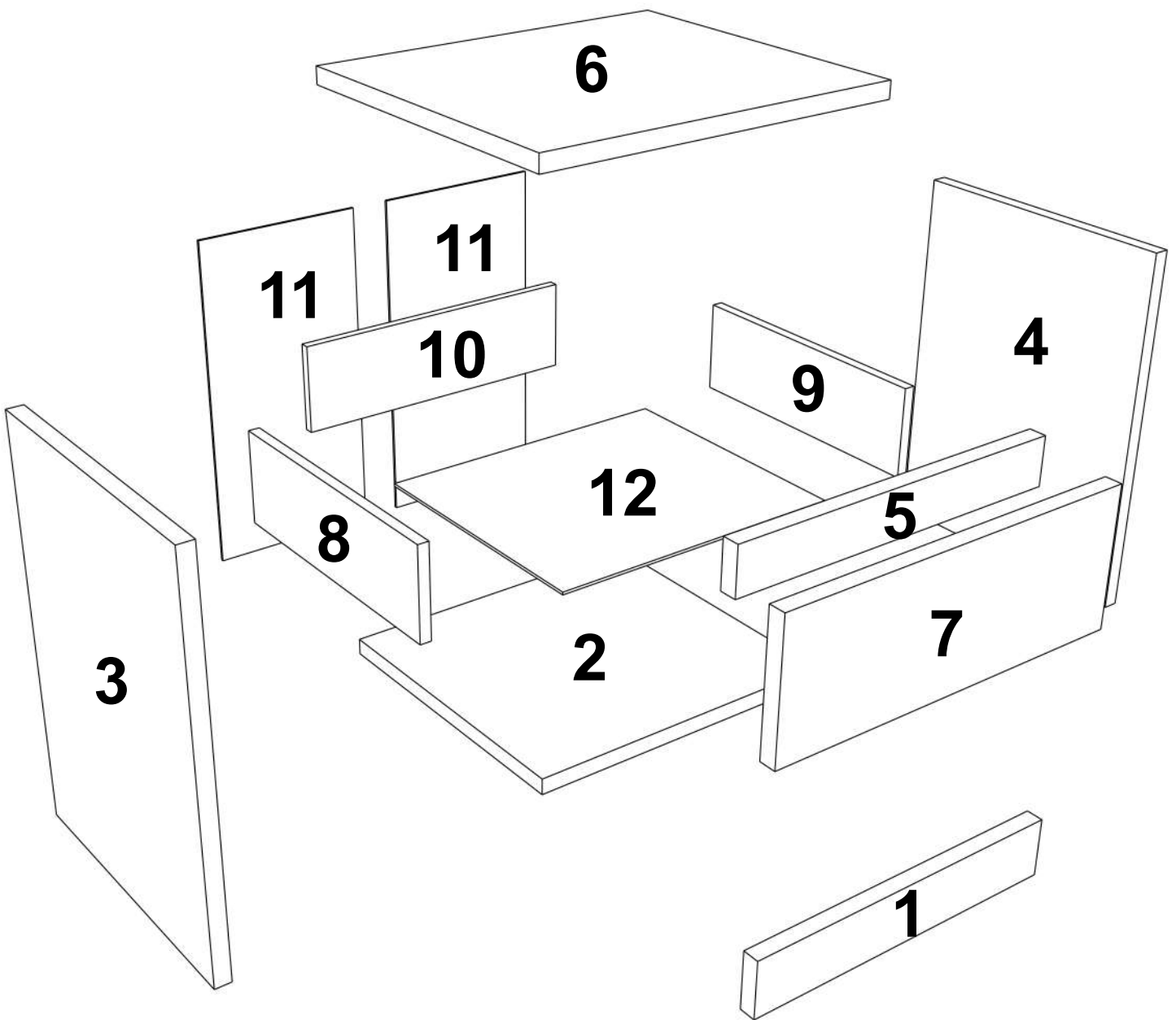
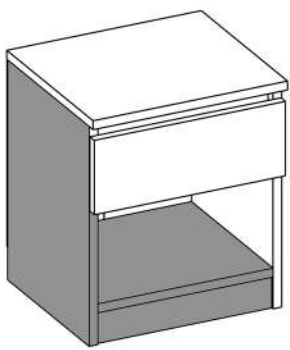


1  B0501 x8	1  B0502 x8	1  B0503 x16	1  B0504 x8	2  B0301 x4
2  B0304 x4	2  B0511 x4	2  B0510 x4	P  B0906 x2	2  B0328 x2
2  B0318 x15				





B0502



x2

B0503



x4

B0504

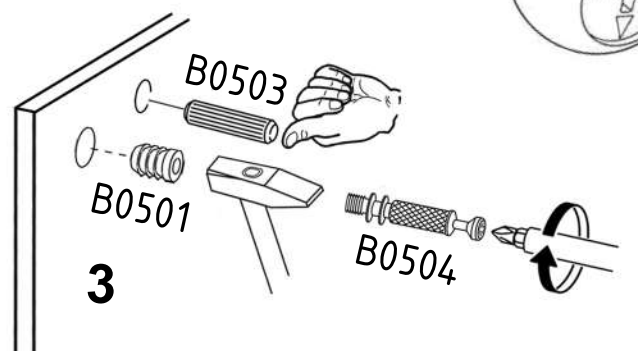
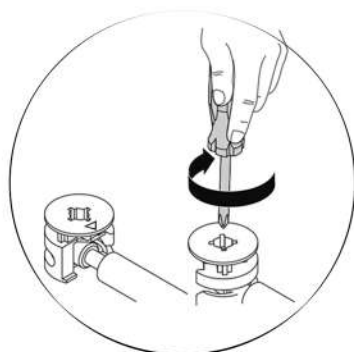
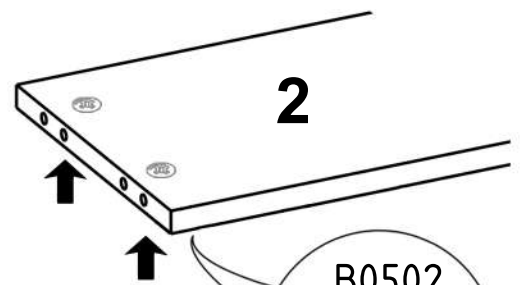
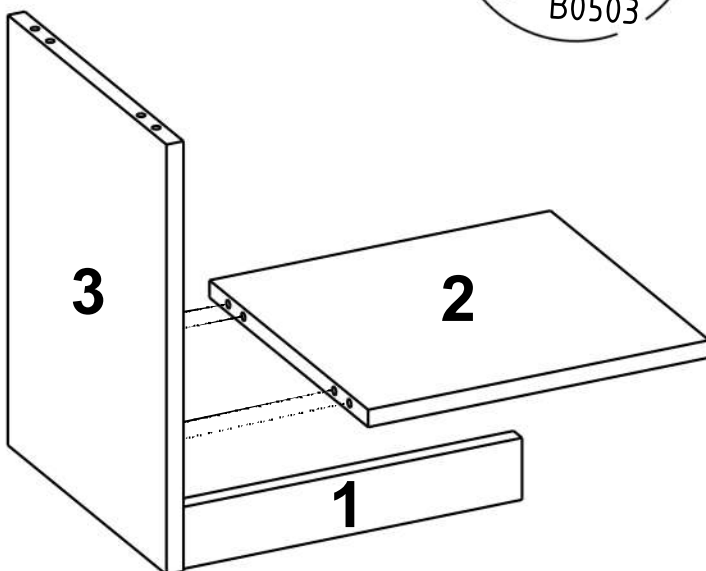
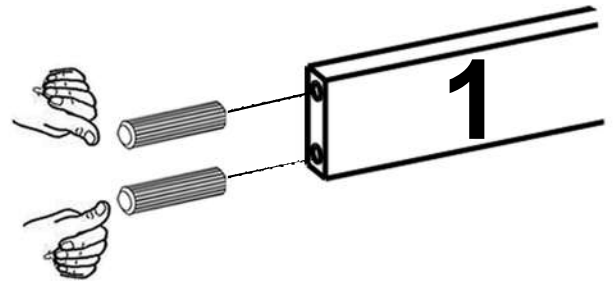
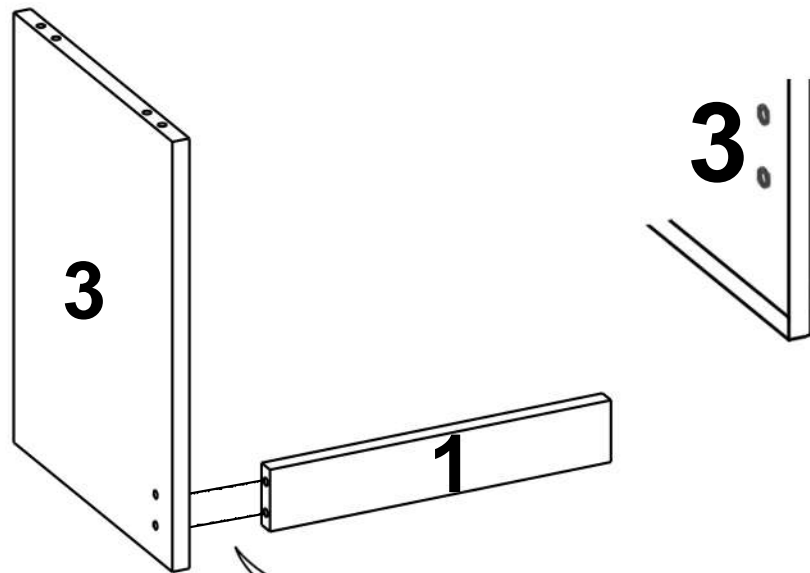
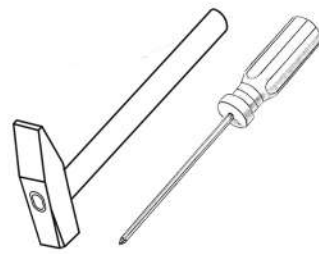


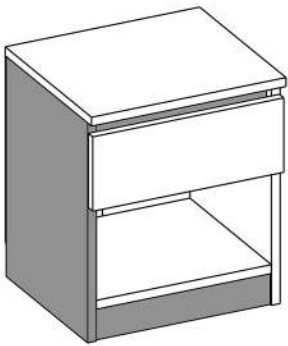
x2

B0501



x2

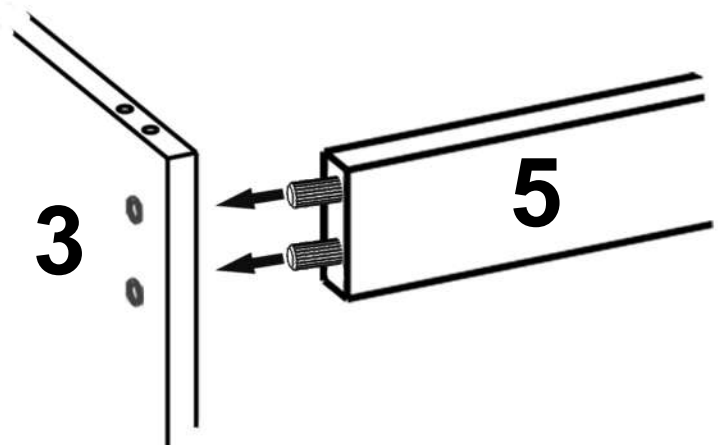
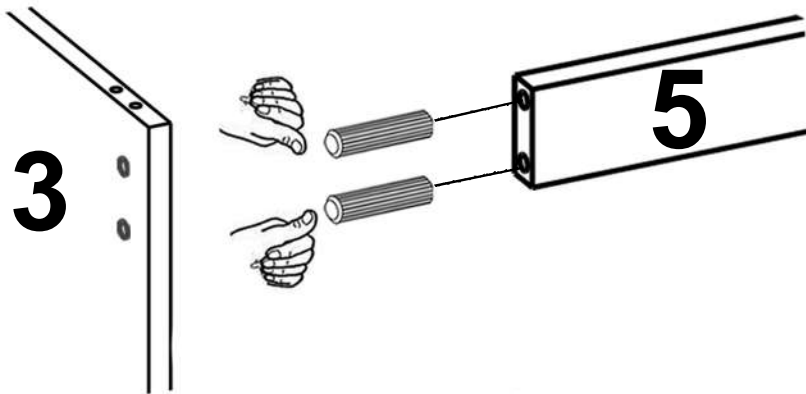
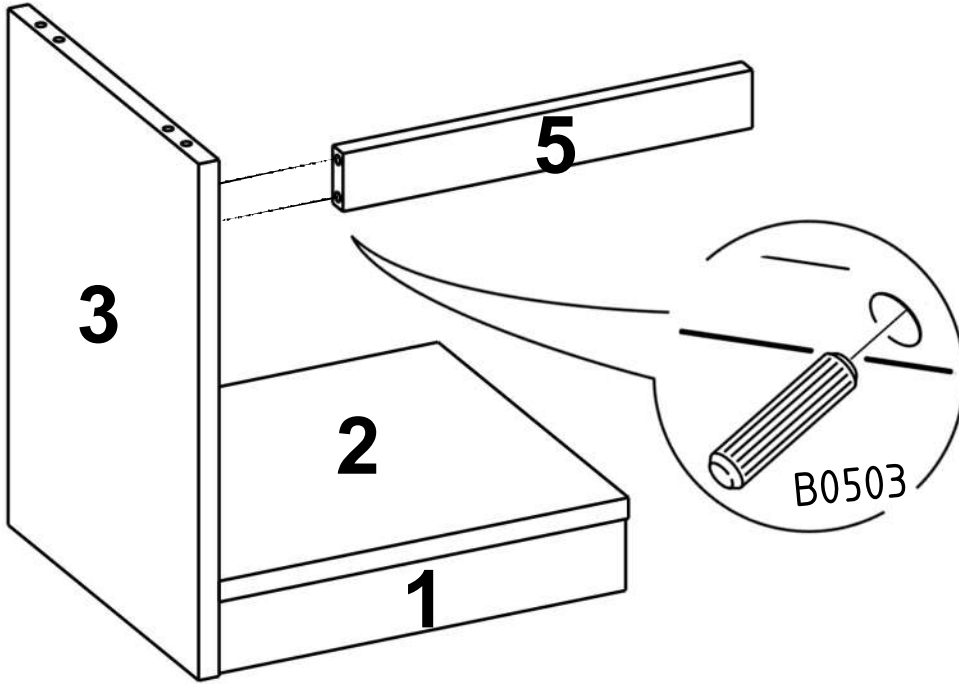
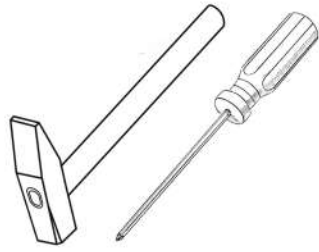


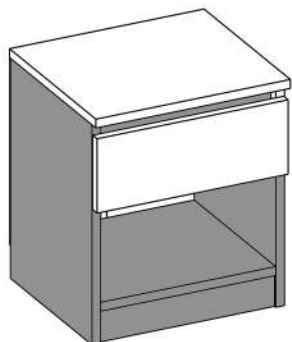


B0503



x2





B0502



x2

B0503



x6

B0504

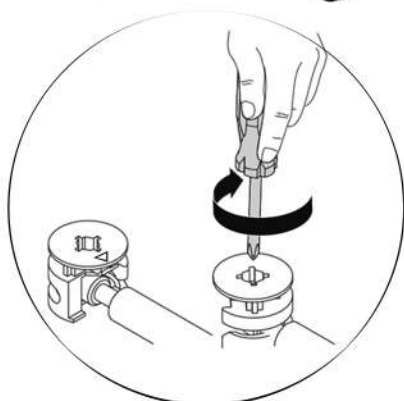
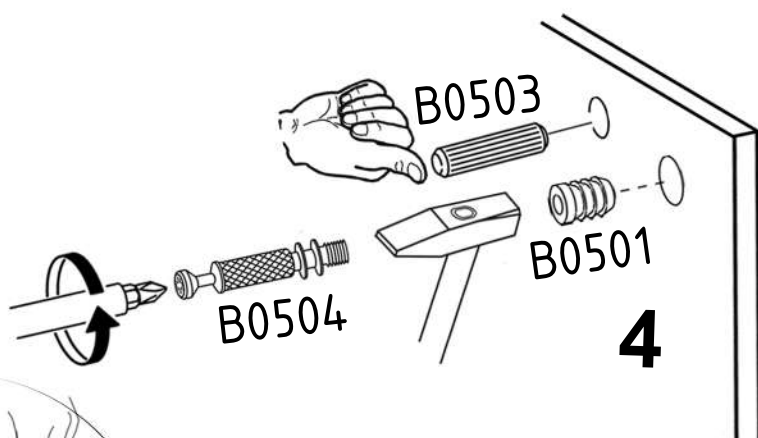
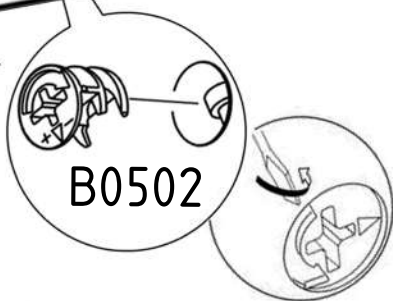
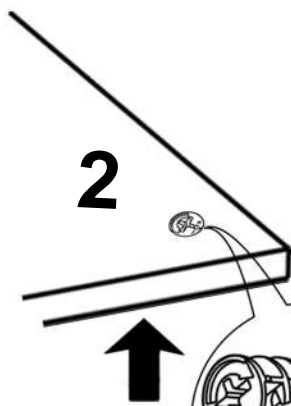
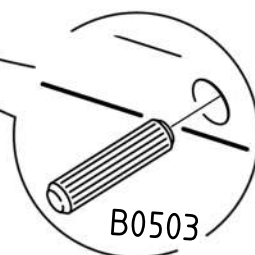
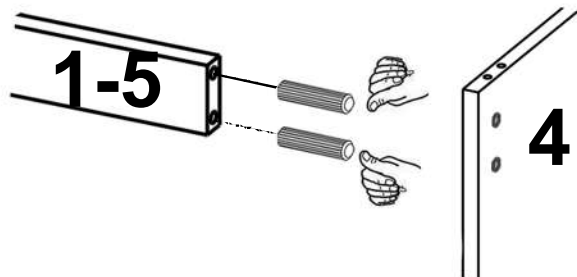
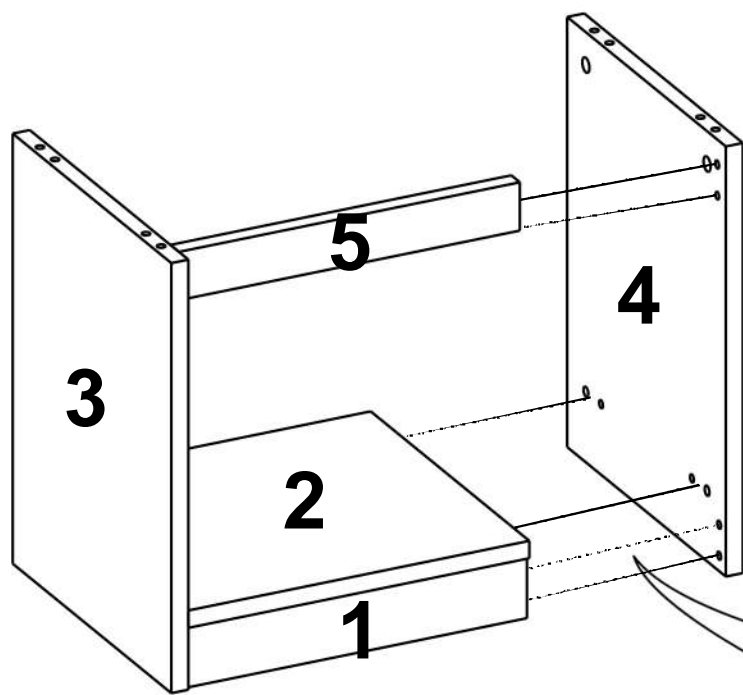
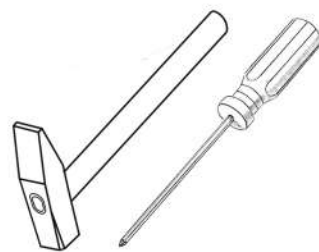


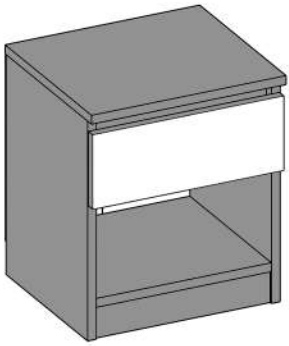
x2

B0501



x2





B0502



x4

B0503



x4

B0504

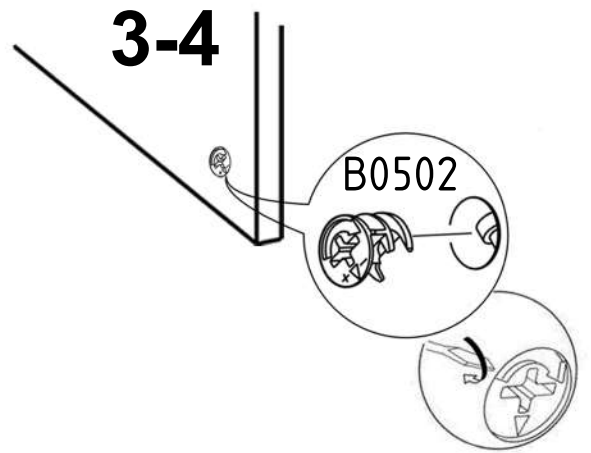
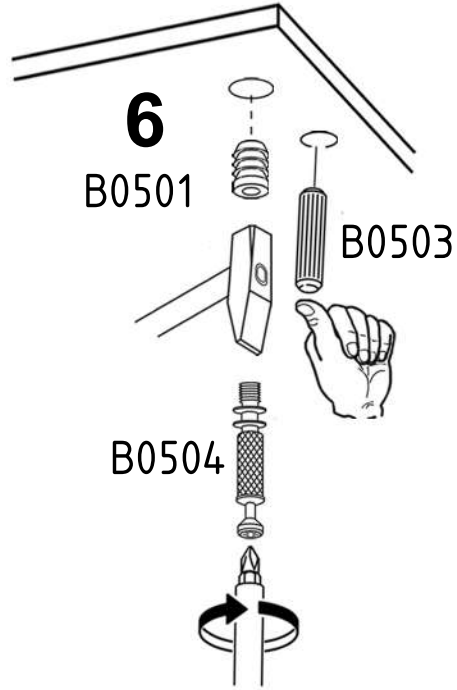
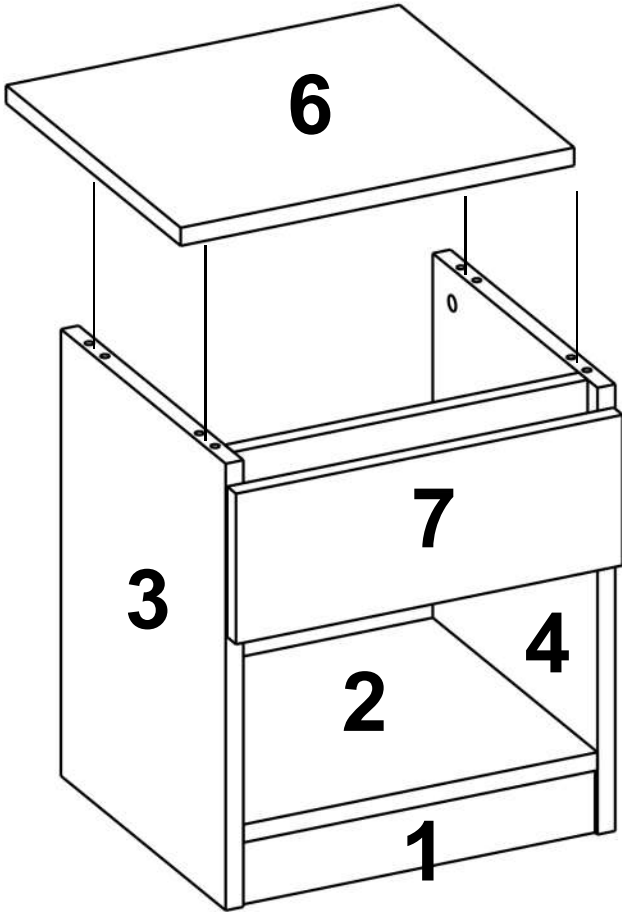
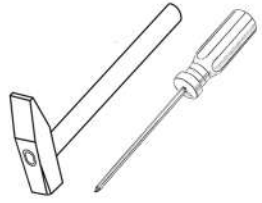


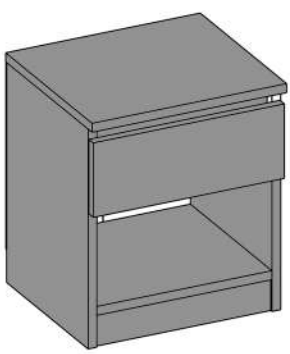
x4

B0501



x4





B0510

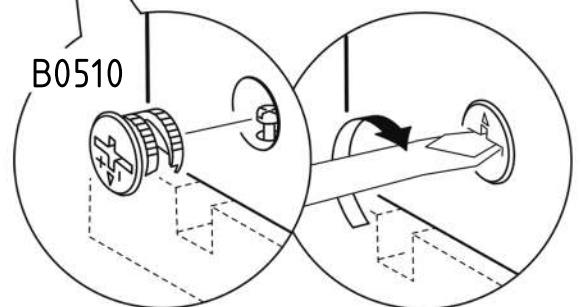
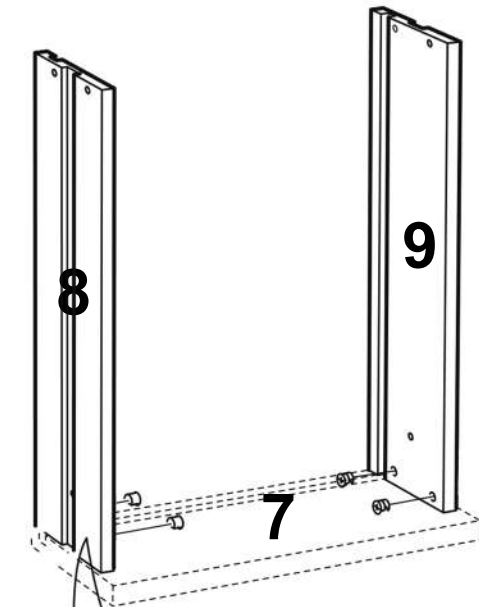
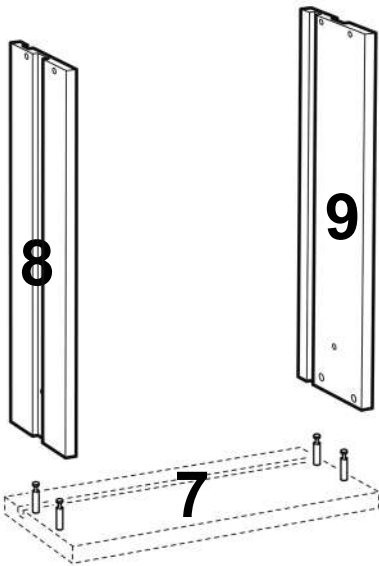
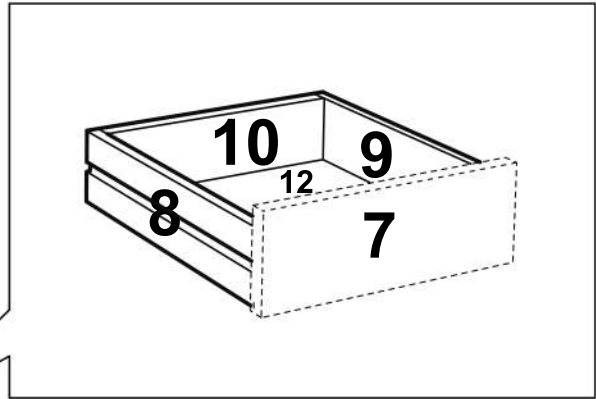
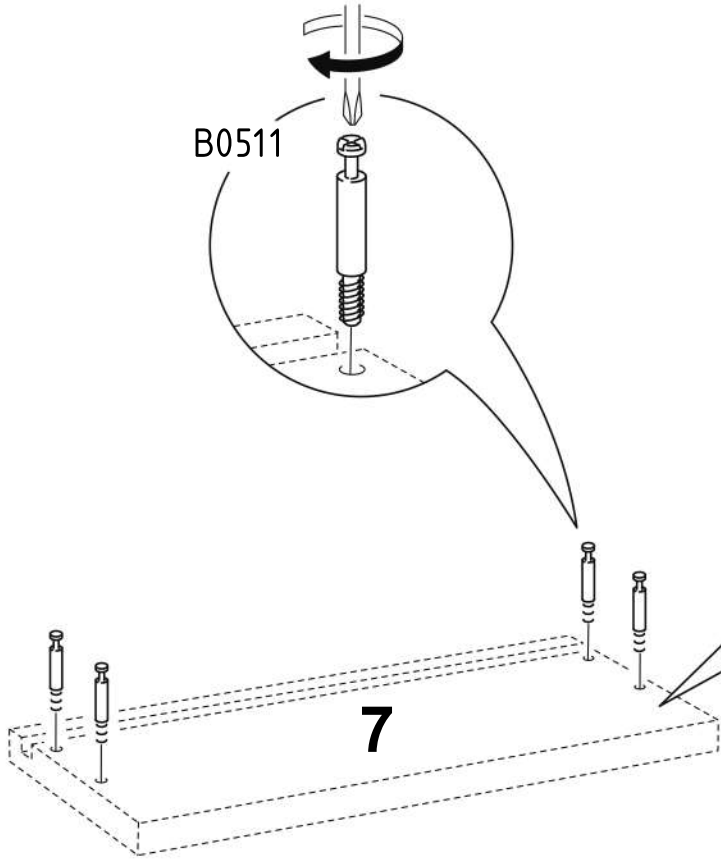
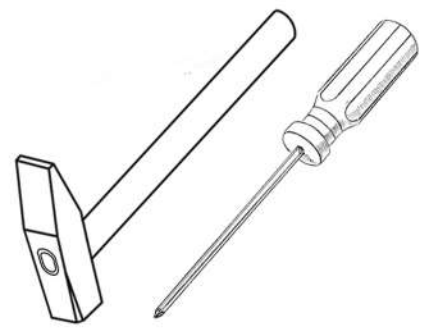


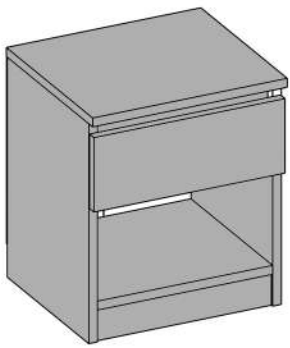
x4

B0511



x4





B0906



x2

B0304



x4

B0301



x4

B0328



x2

B0318



x15

