







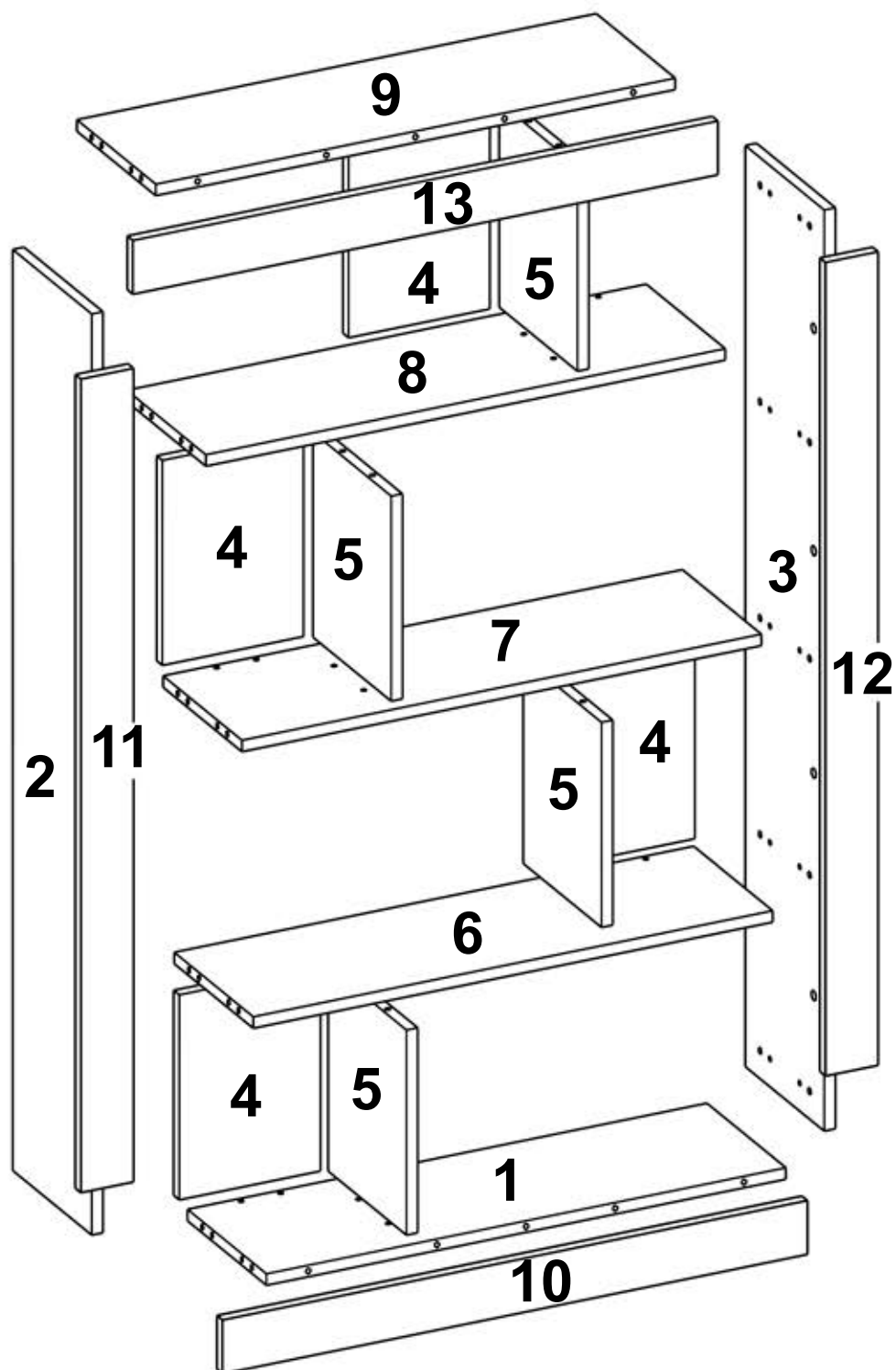
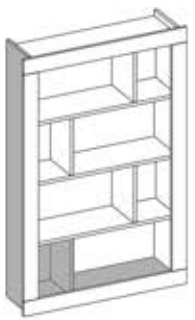


1  B0501 x35	1  B0502 x35	1  B0503 x71	1  B0504 x35	1  B0317 x2
1  B1303 x2	 B0306 x2	 B0301 x4		





B0502



x2

B0503



x6

B0504

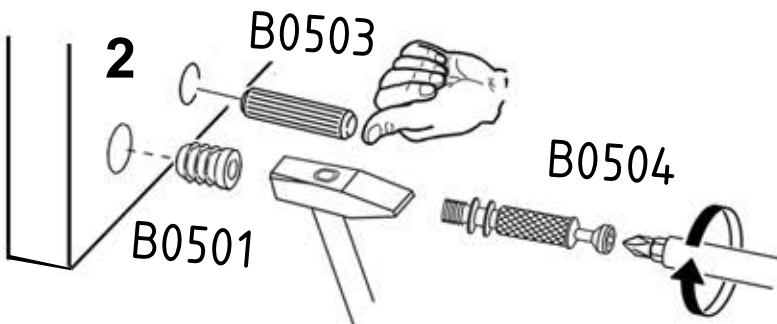
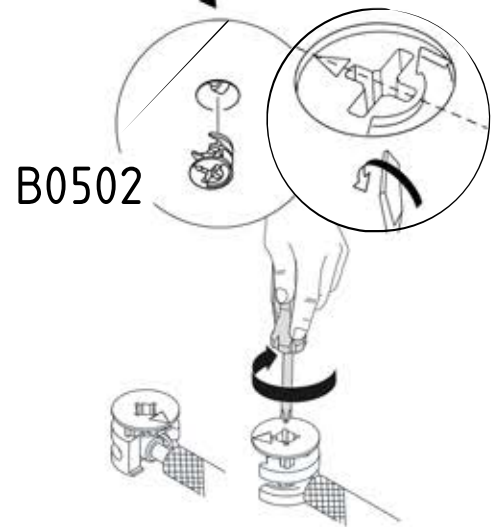
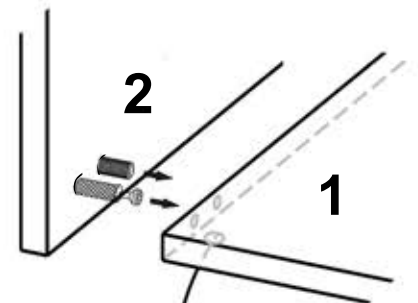
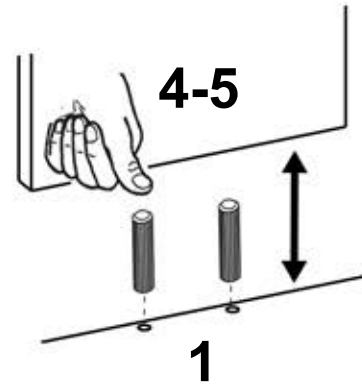
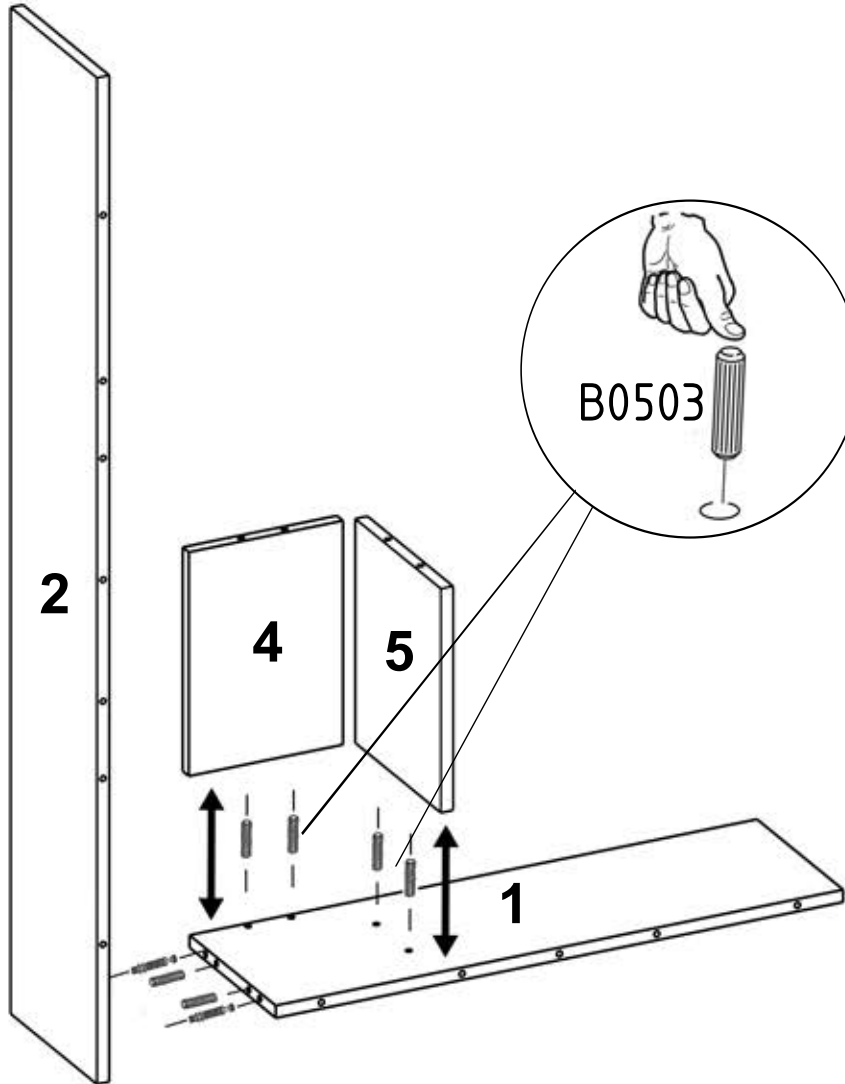
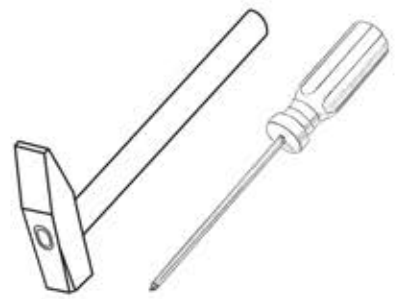


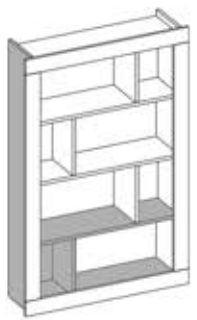
x2

B0501



x2





B0502

B0503

B0504

B0501

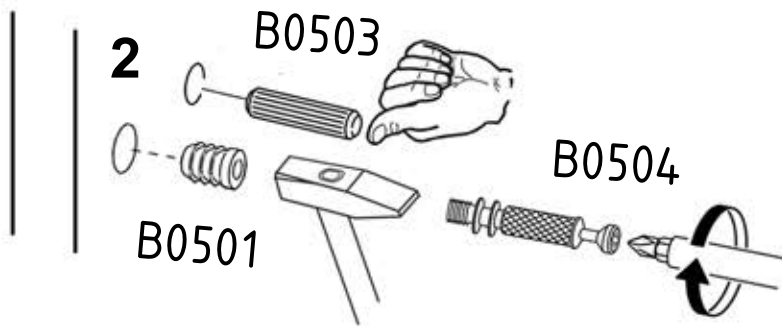
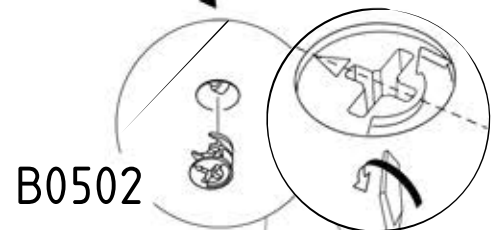
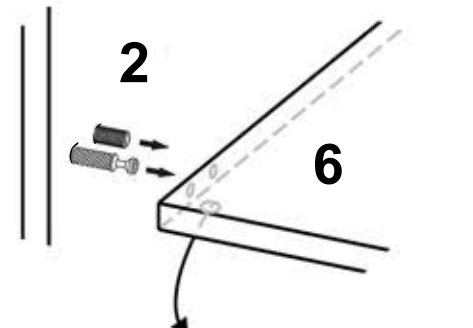
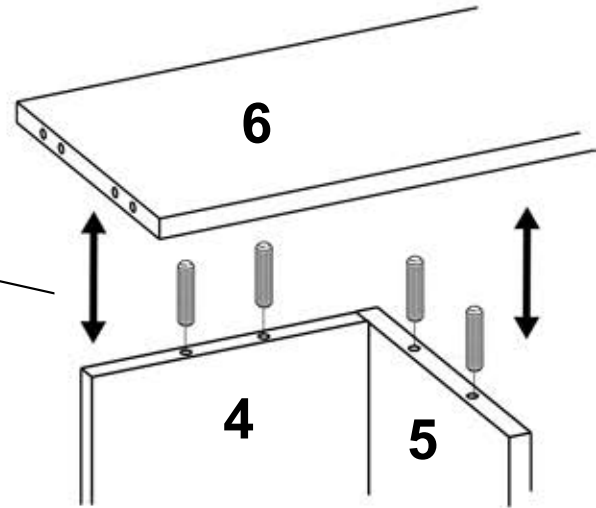
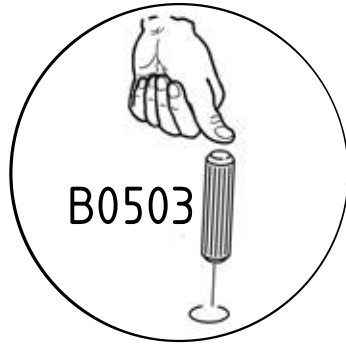
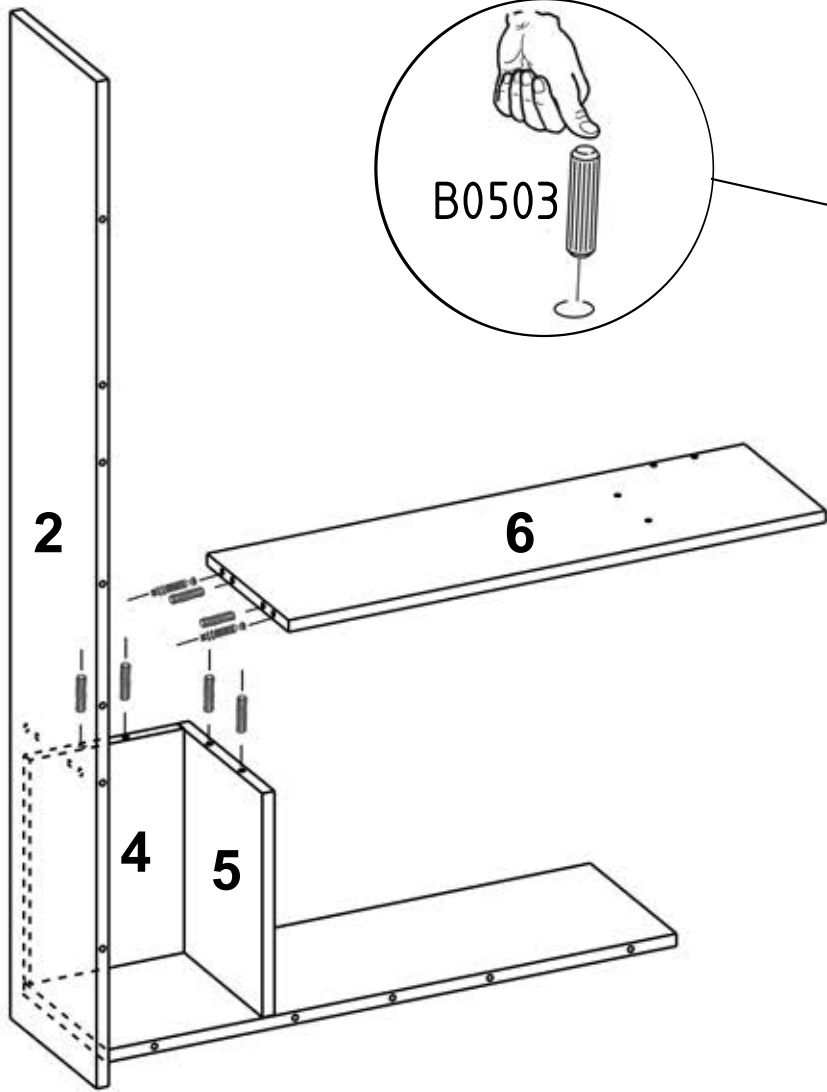


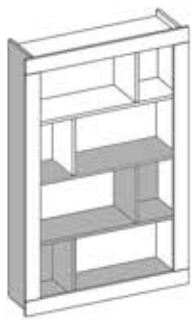
x2

x6

x2

x2





B0502

B0503

B0504

B0501

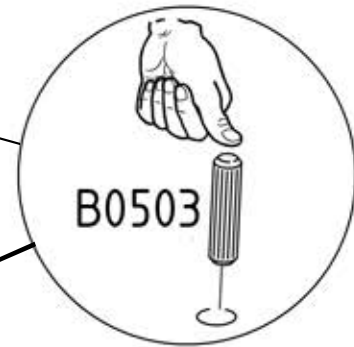
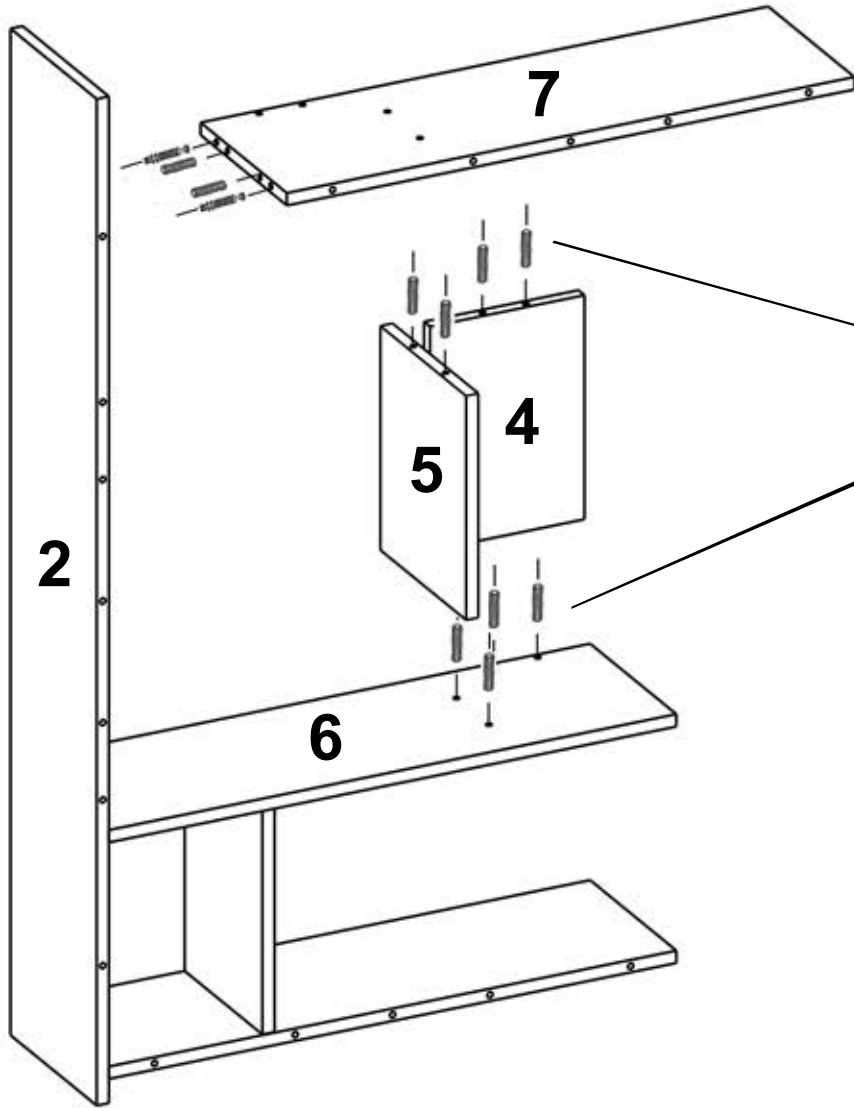


x2

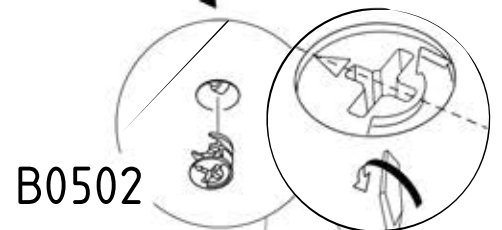
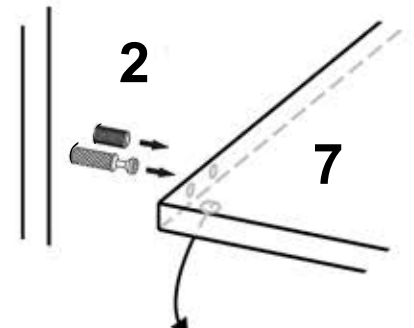
x10

x2

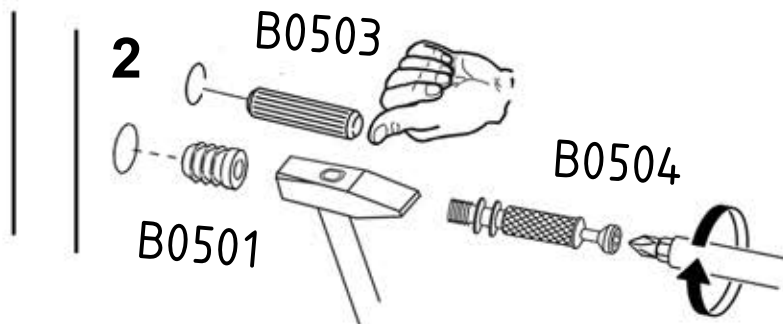
x2



B0503



B0502

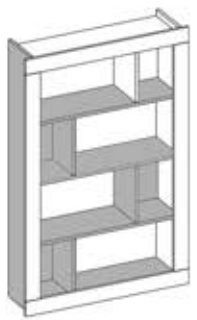


2

B0503

B0504

B0501



B0502



x2

B0503



x10

B0504

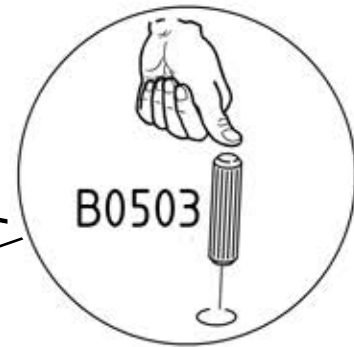
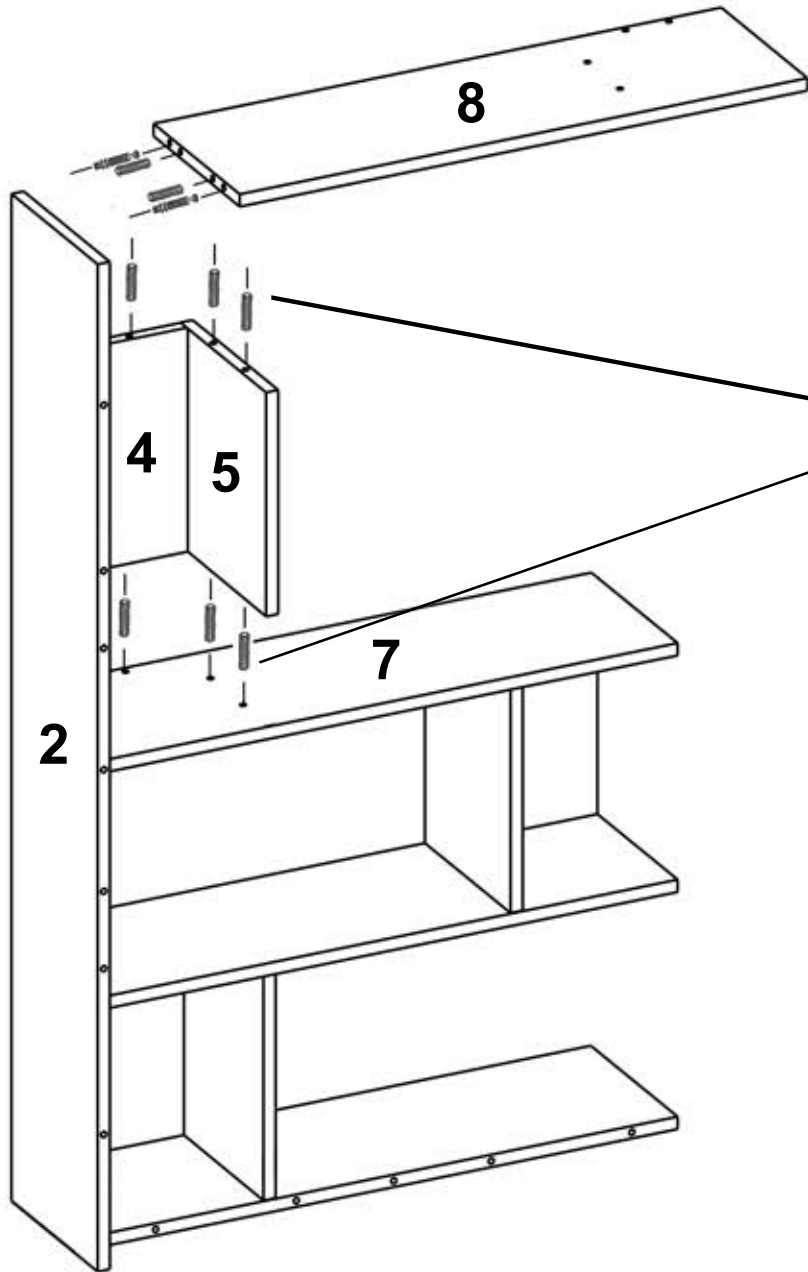
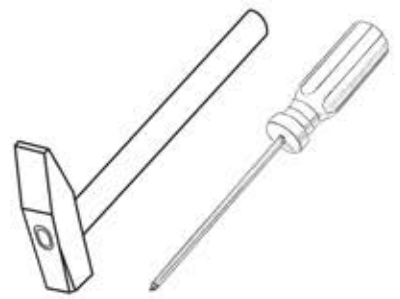


x2

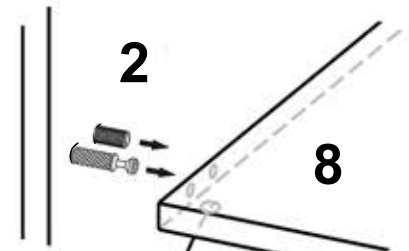
B0501



x2

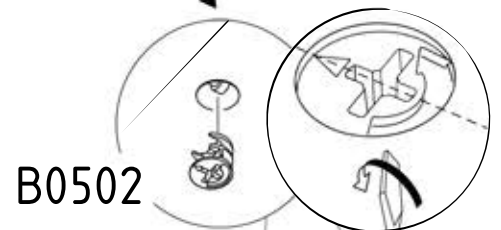


B0503

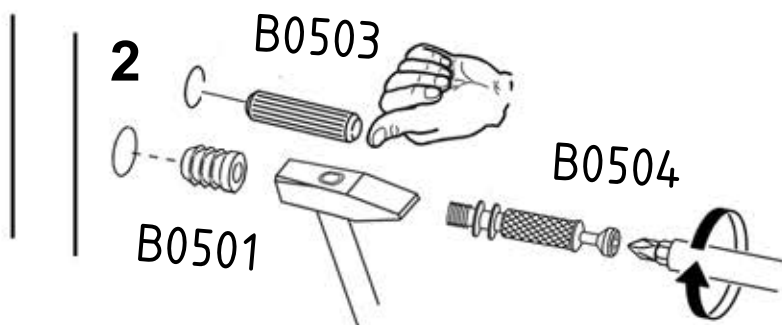


2

8



B0502

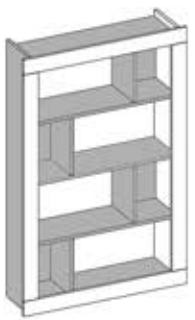


2

B0503

B0501

B0504



B0502



x2

B0503



x10

B0504

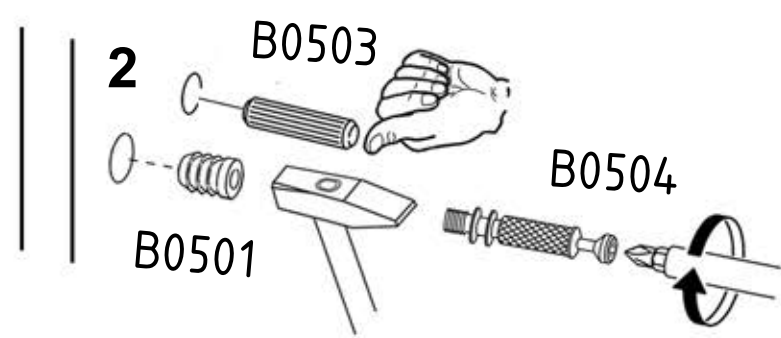
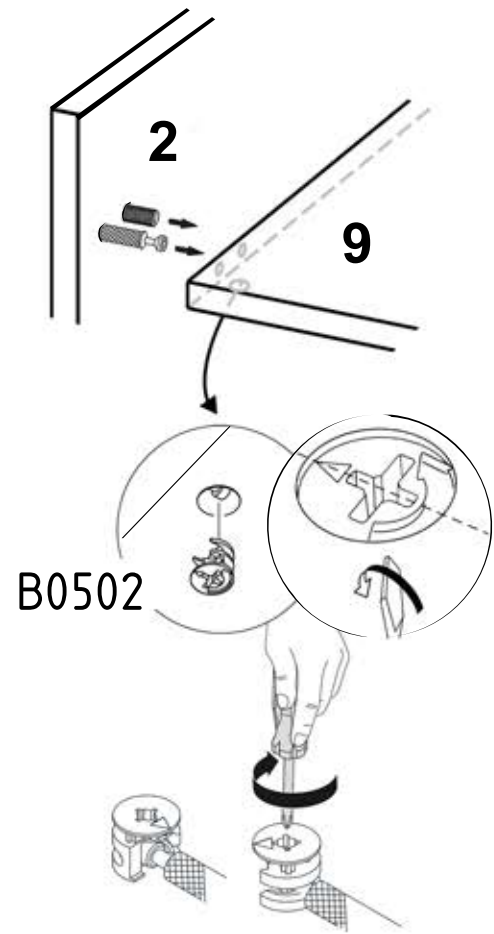
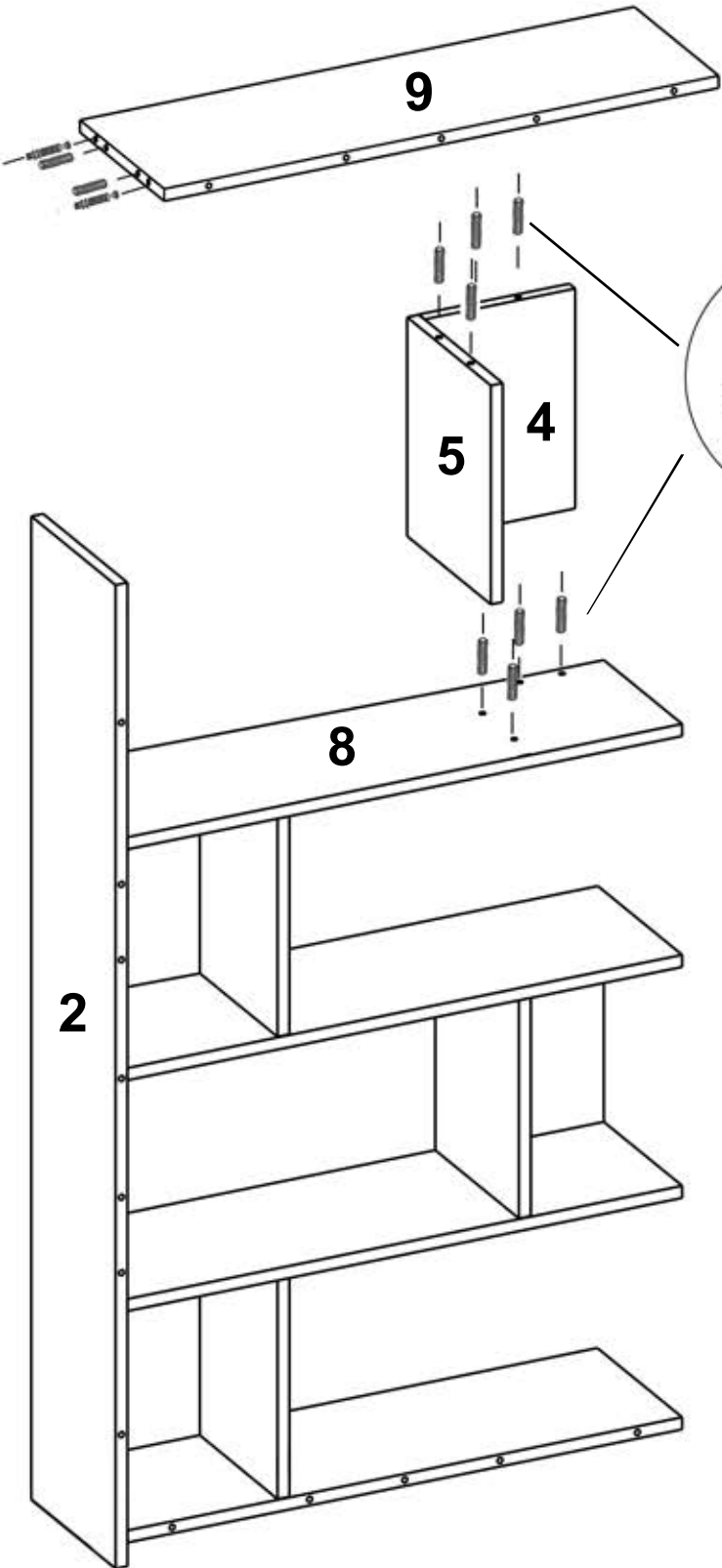
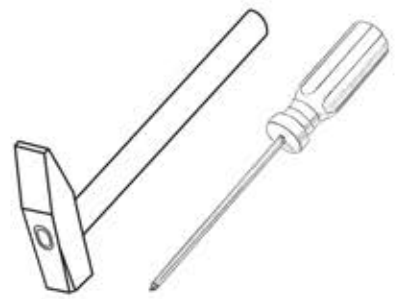


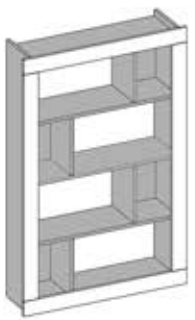
x2

B0501



x2





B0502

B0503

B0504

B0501

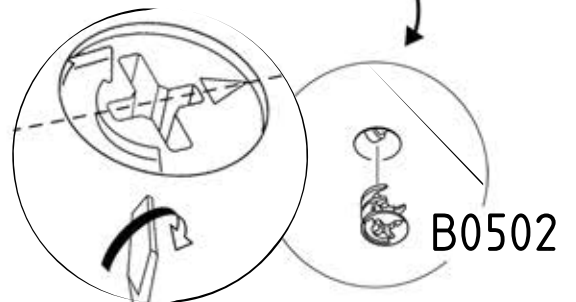
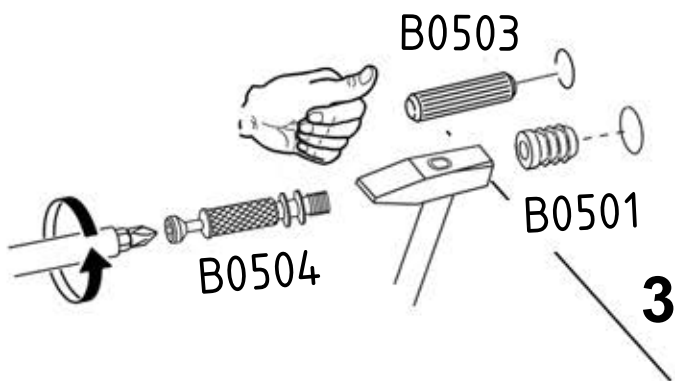
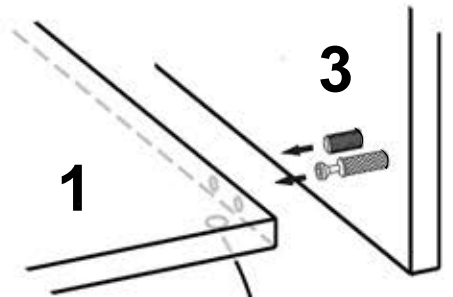
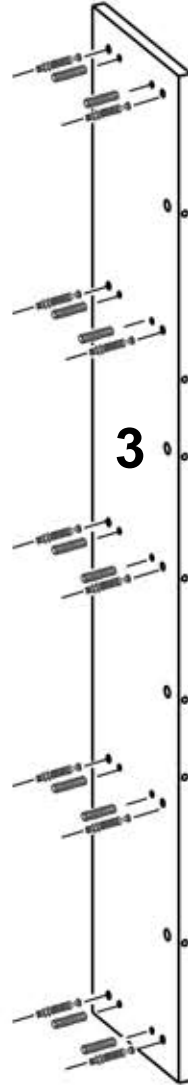
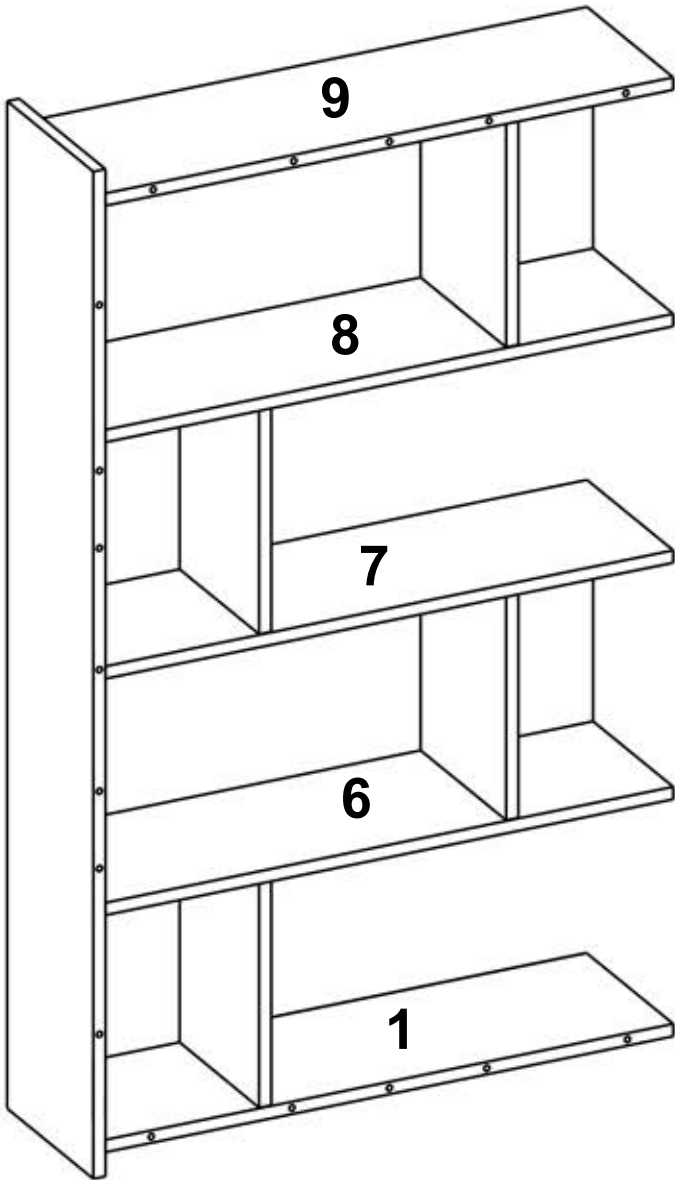
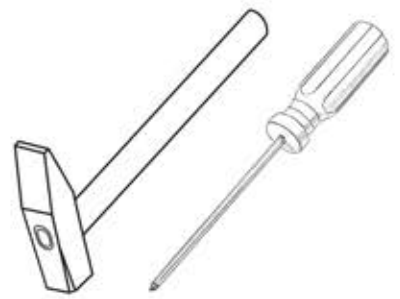


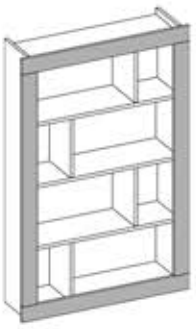
x10

x10

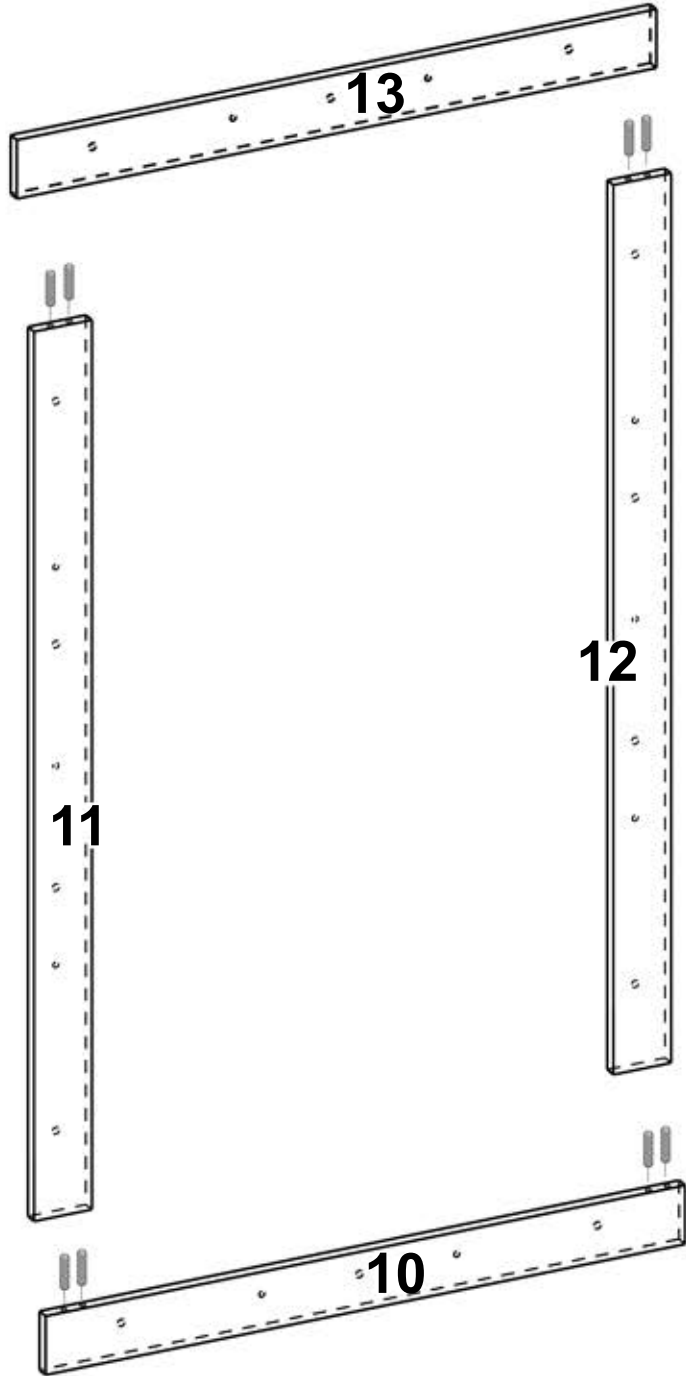
x10

x10

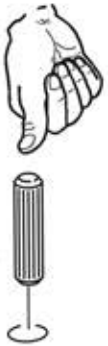


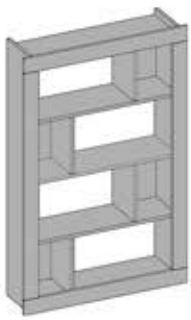


x8



B0503





B0502

B0503

B0504

B0501



x14

x10

x14

x14

