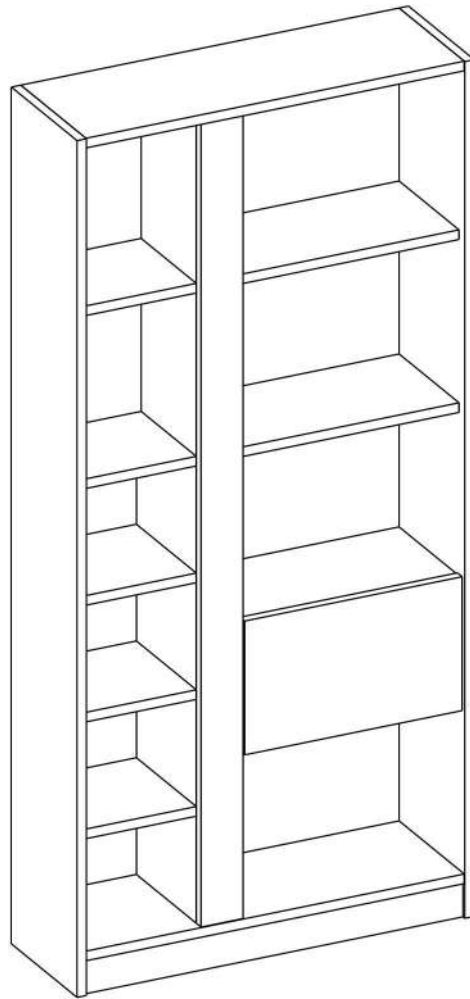










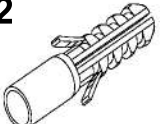
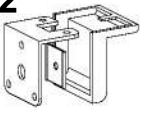
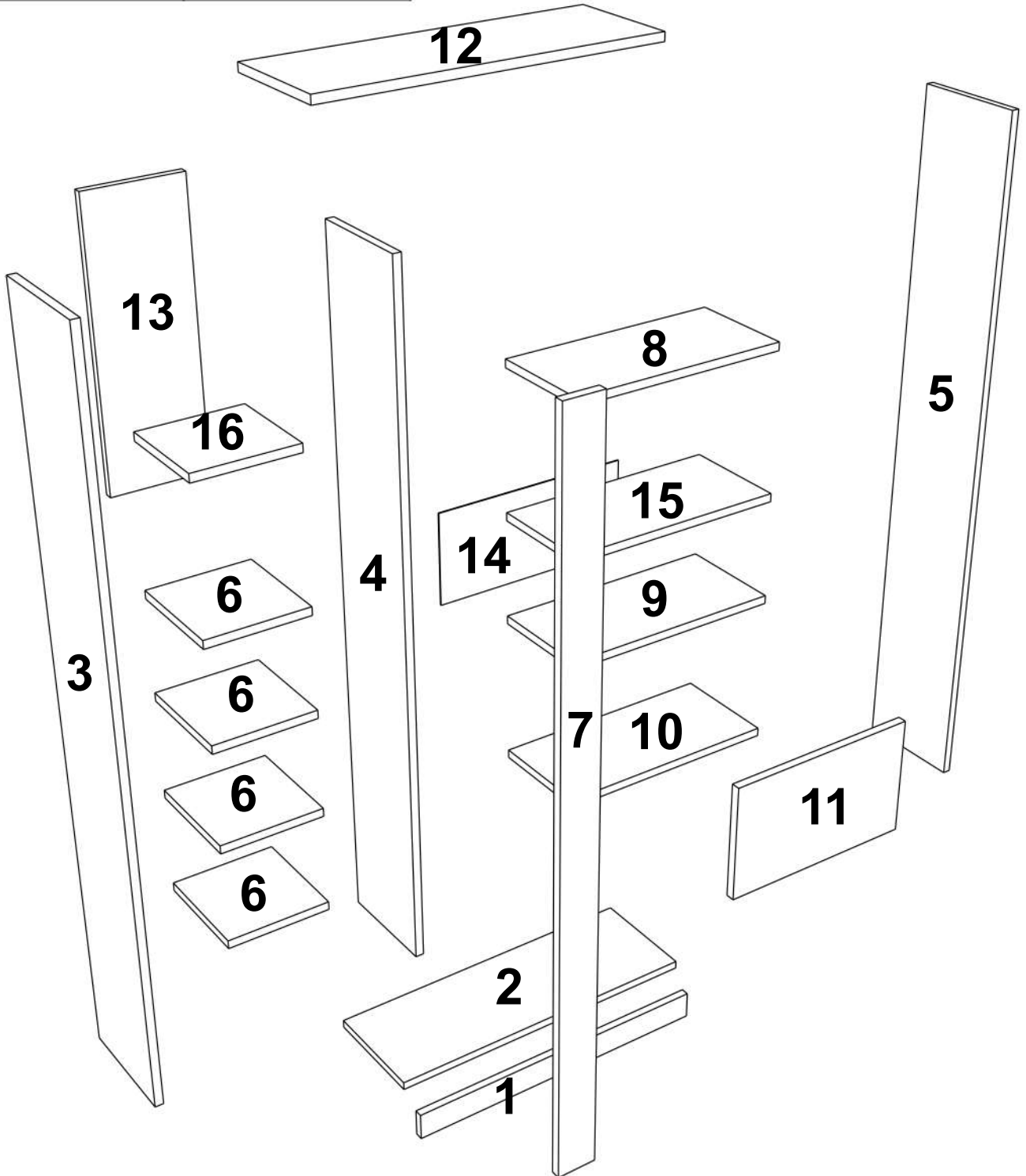
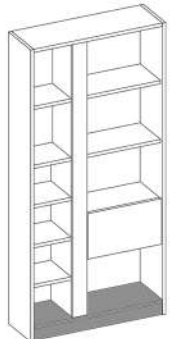


176-000112

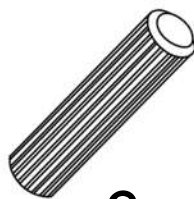


1  B0501 x29	1  B0502 x29	1  B0503 x37	1  B0504 x29	2  B0301 x12
1  B0507 x28	3  B0101 x2	3  B0105 x2	2  B0318 x15	2  B0306 x2
2  B0317 x2	2  B1303 x2			

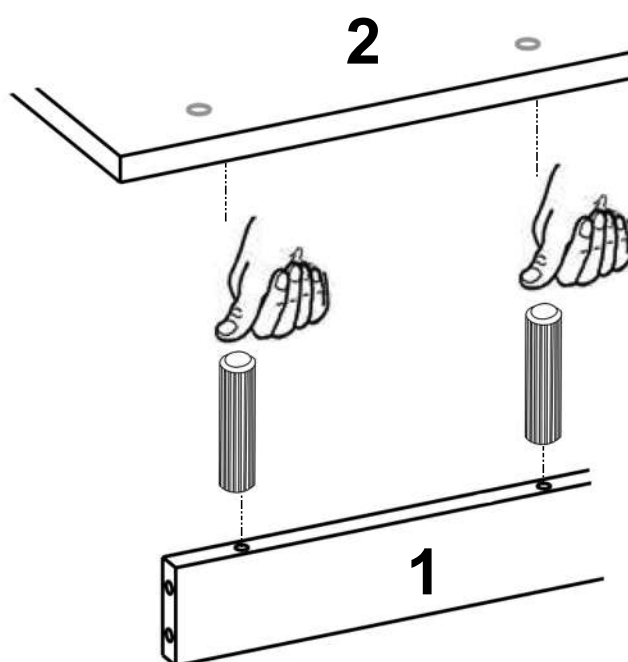
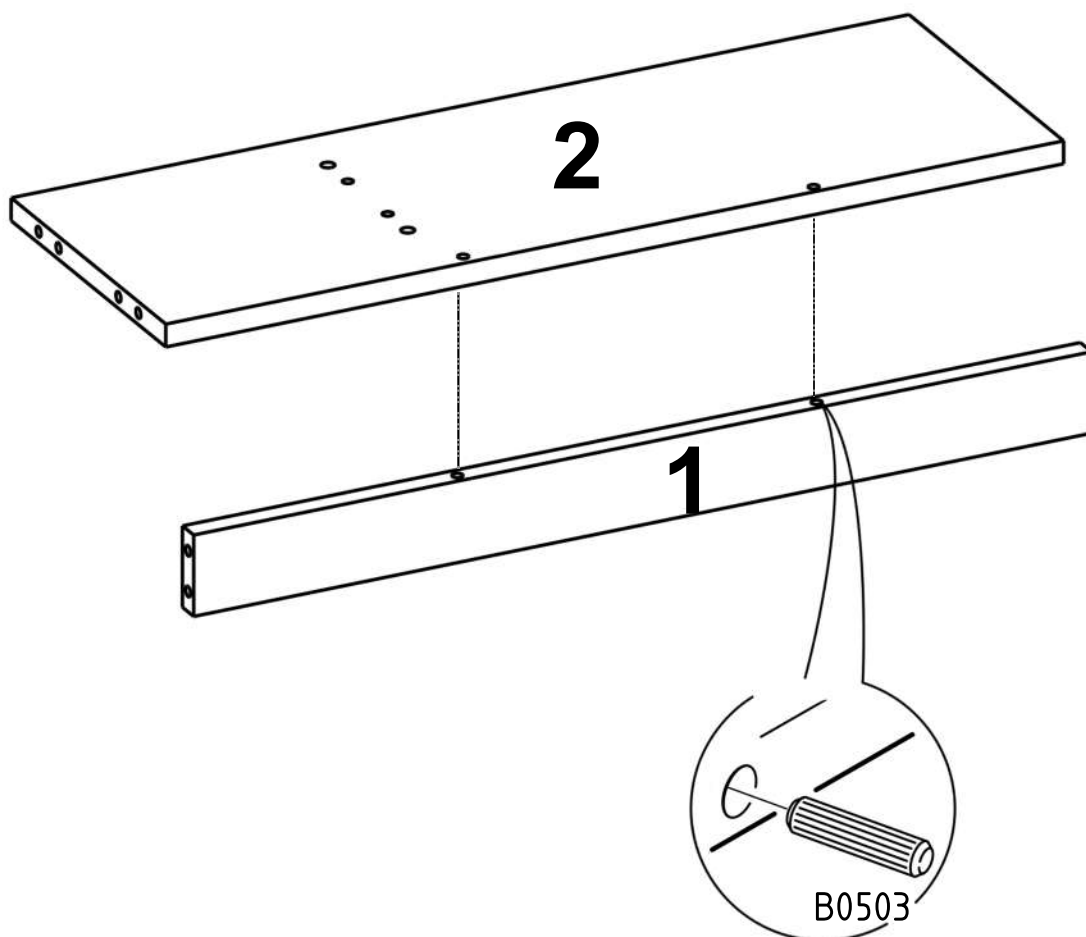
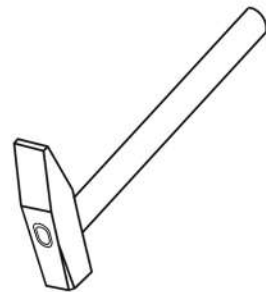


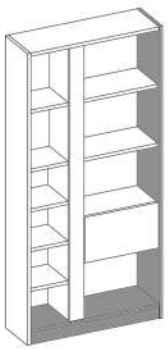


B0503



x2





B0502



x2

B0503



x4

B0504

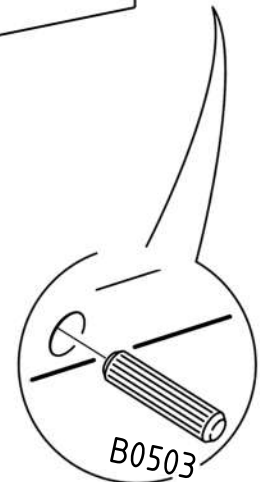
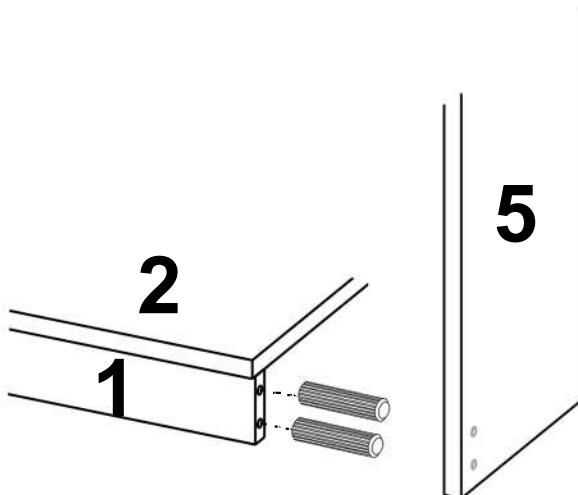
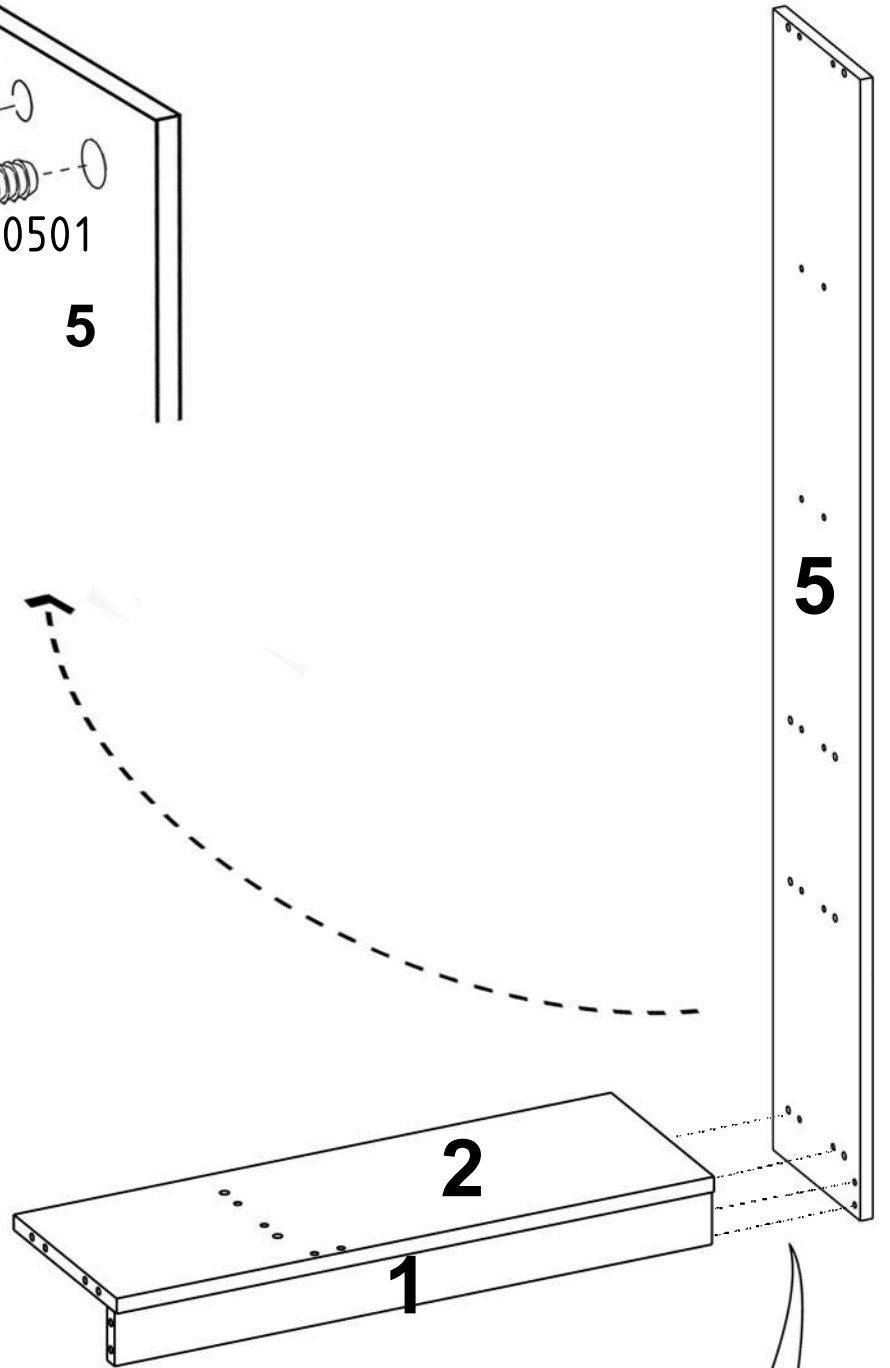
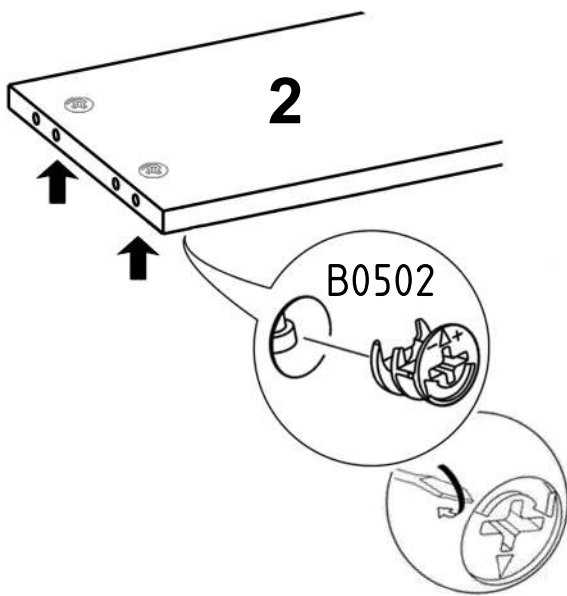
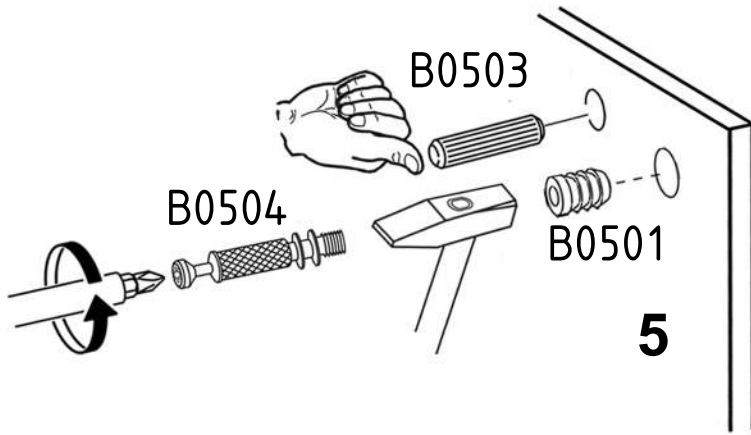
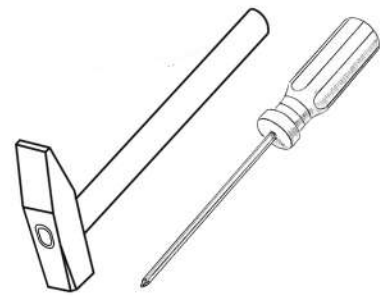


x2

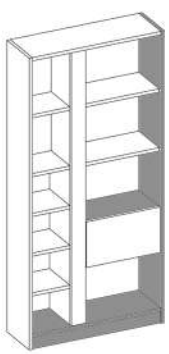
B0501



x2



4



B0502



X4

B0503



X4

B0504

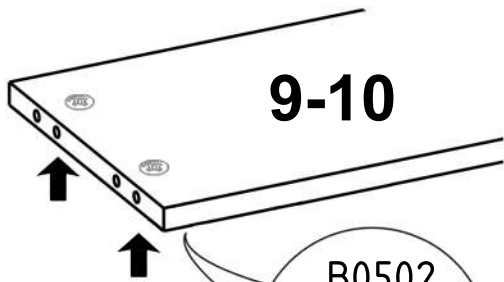
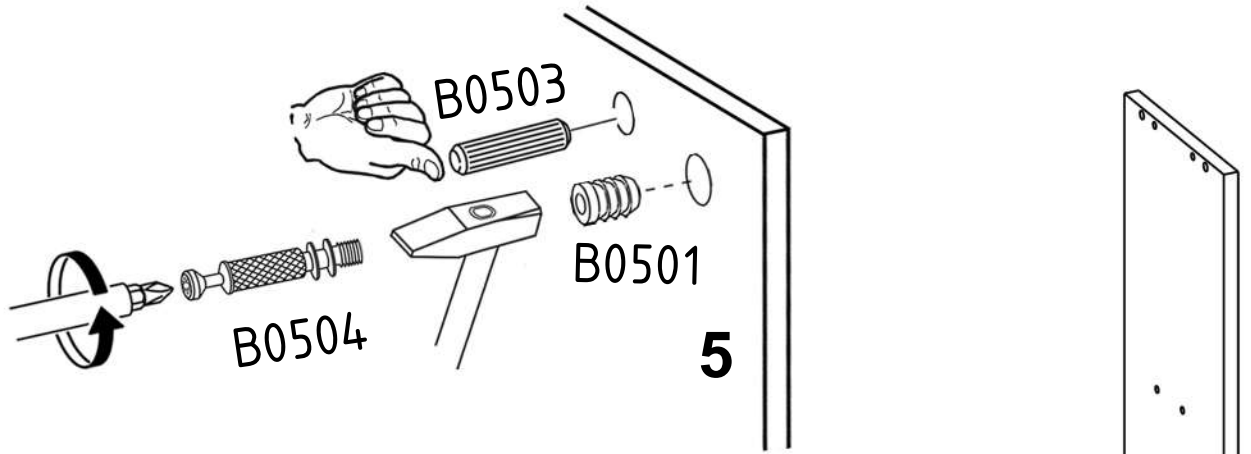
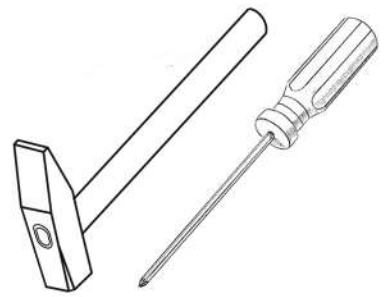


X4

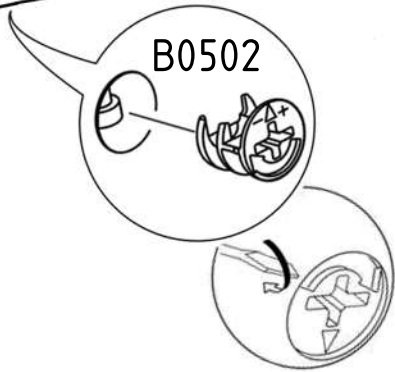
B0501



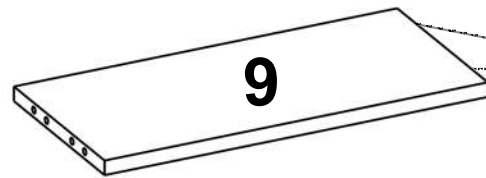
X4



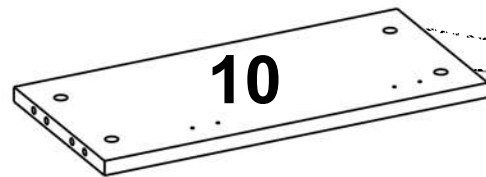
9-10



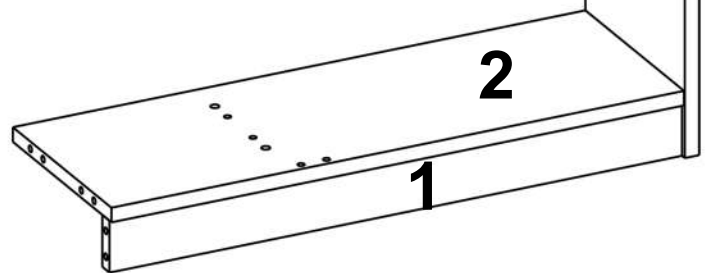
B0502



9

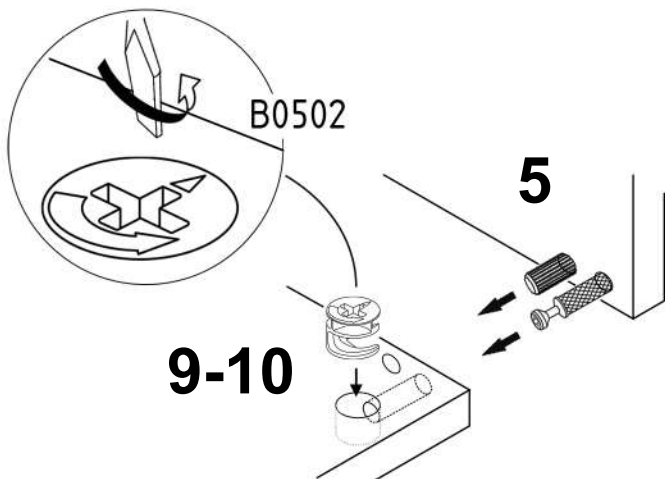


10



2

1

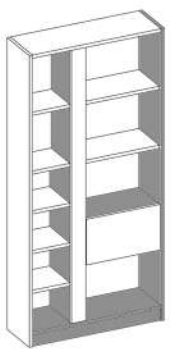


B0502

9-10

5

5



B0502



x6

B0503



x6

B0504

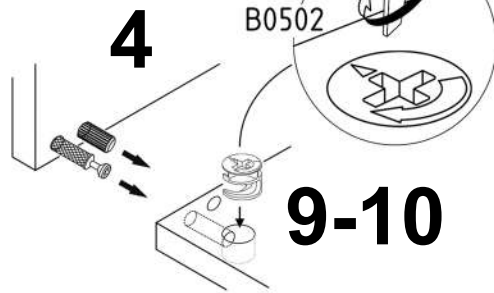
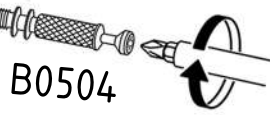
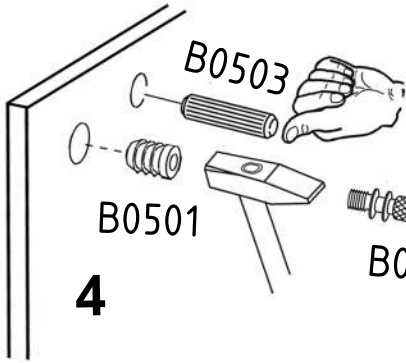
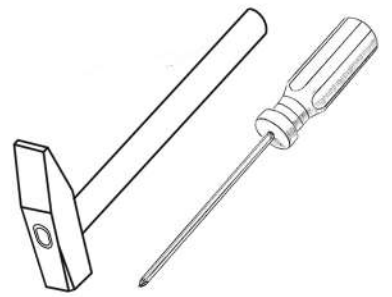


x6

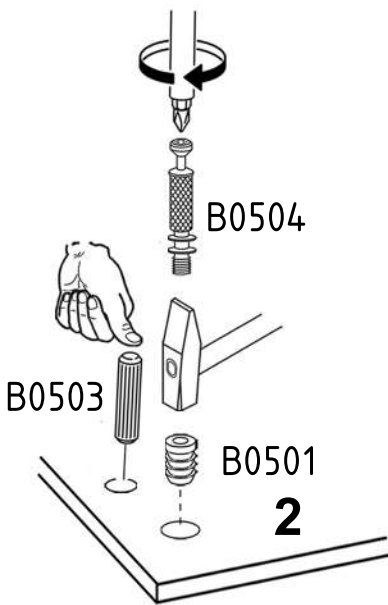
B0501



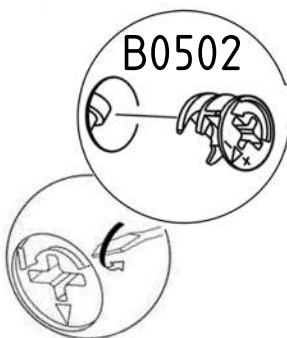
x6



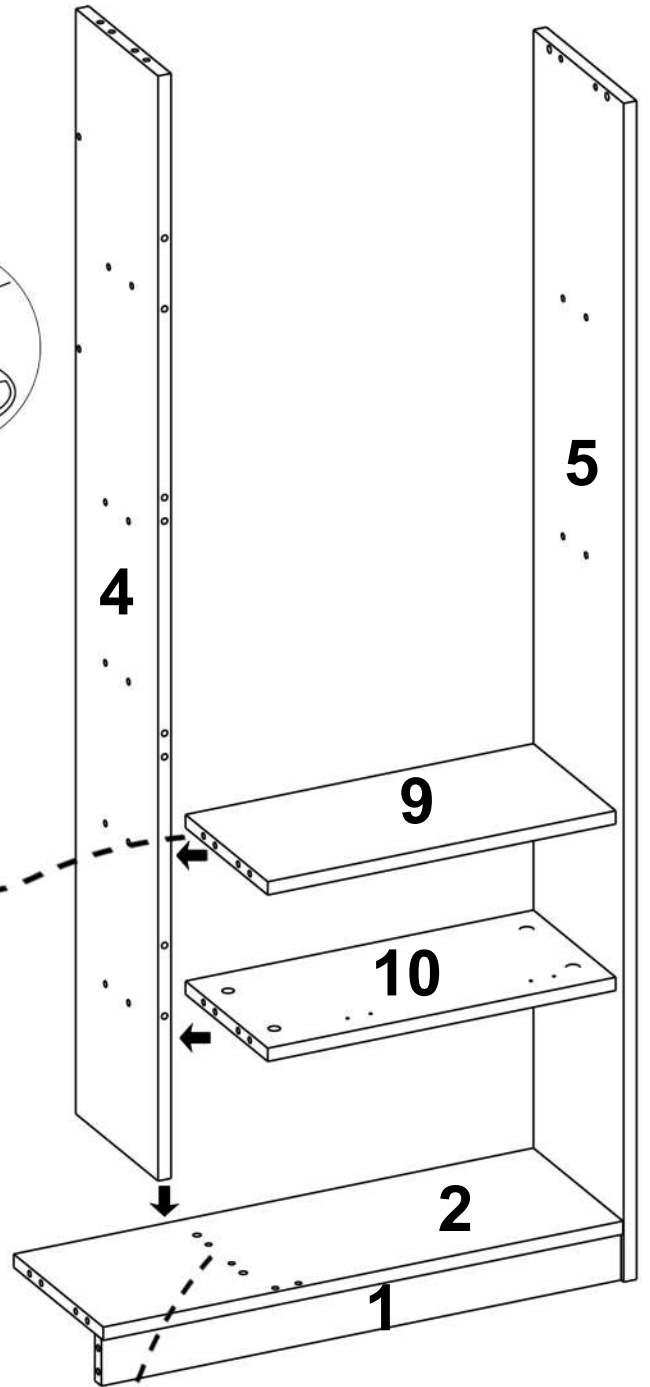
9-10



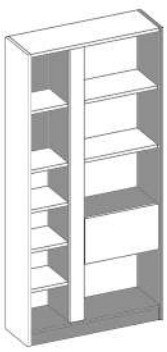
2



B0502



6



B0502



x2

B0503



x2

B0504

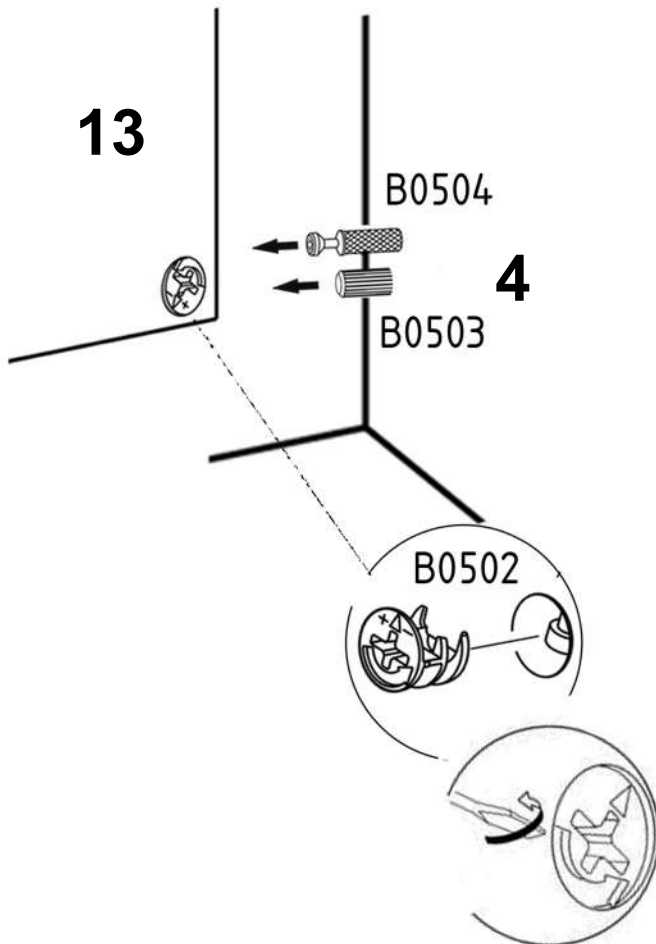
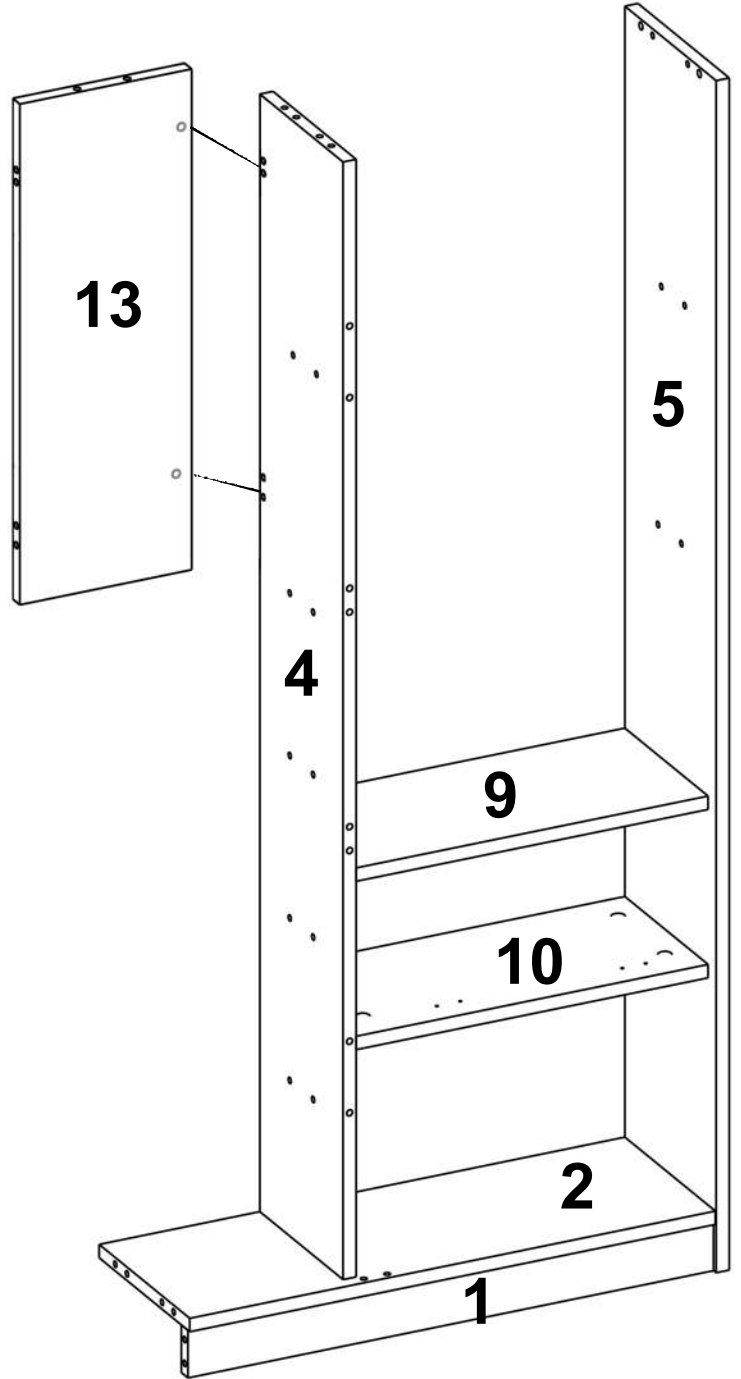
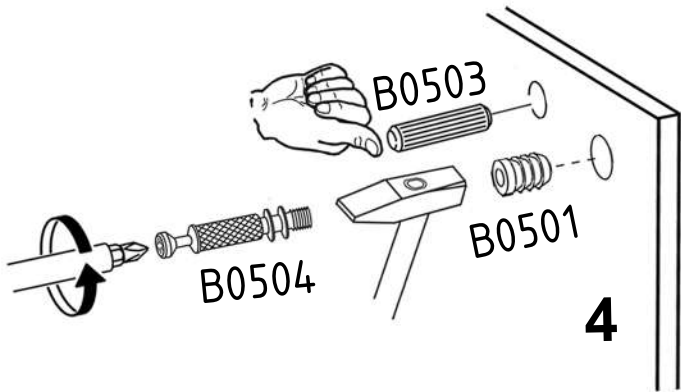
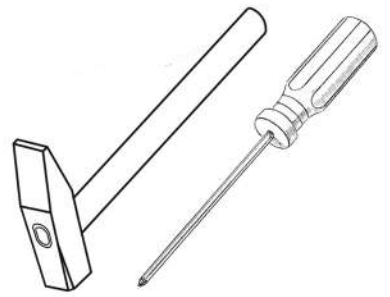


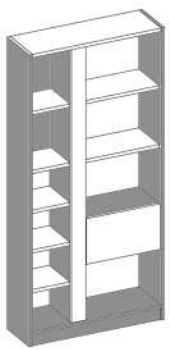
x2

B0501



x2





B0502



x4

B0503



x6

B0504

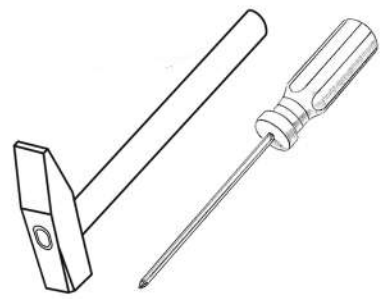


x4

B0501



x4



13

B0504

B0503

3

B0502

13

5

3

4

9

10

2

B0503

B0501

2

B0504

3

1

B0502

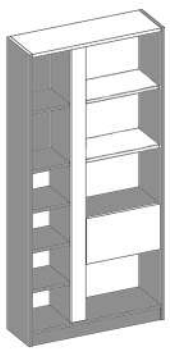
3

B0503

2

1

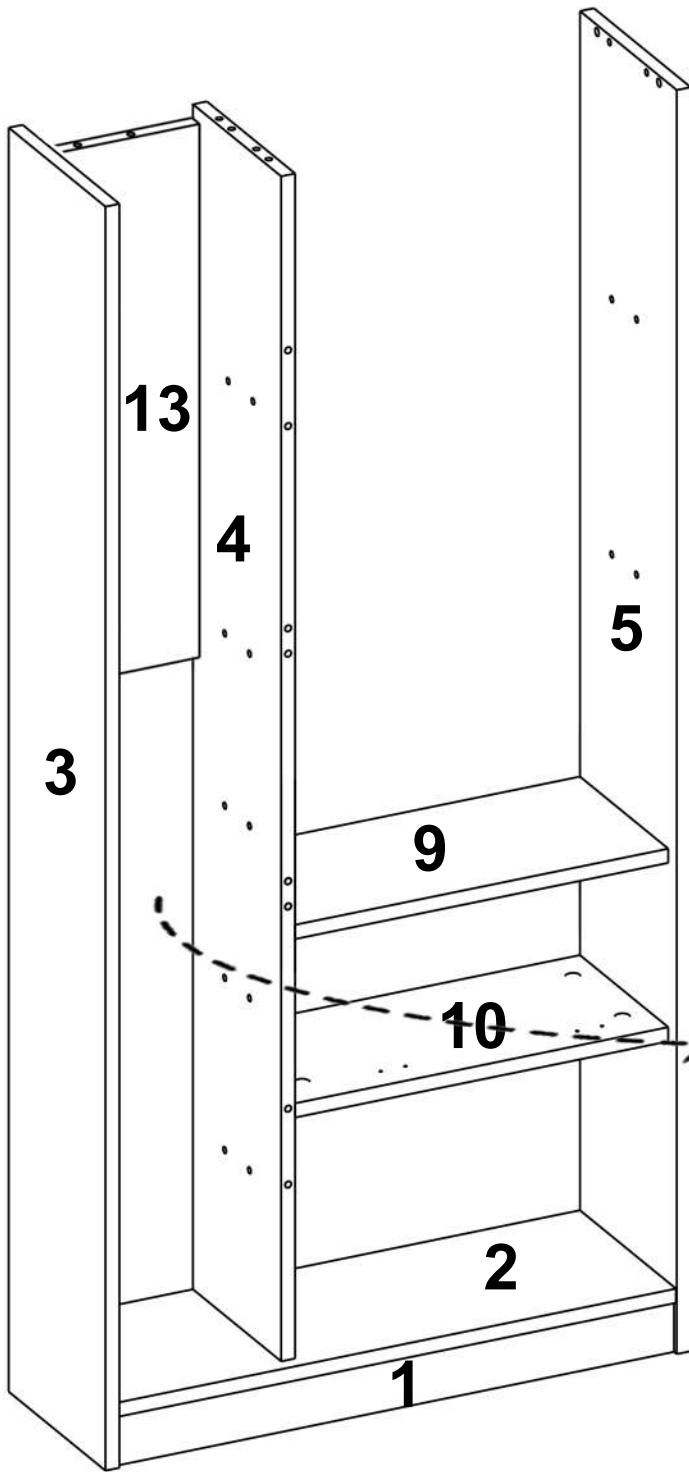
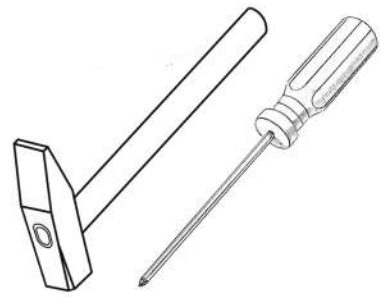
8



B0507

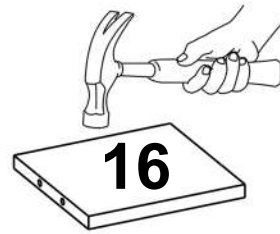
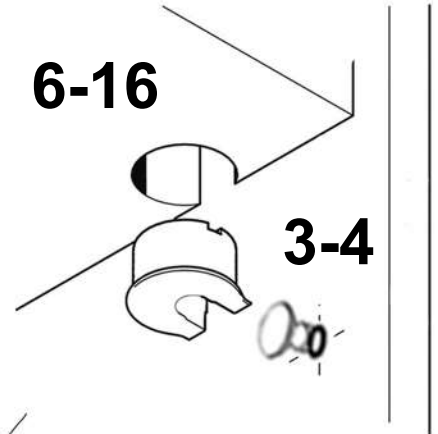


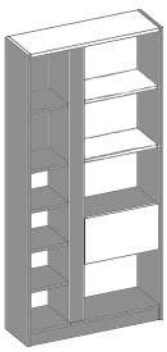
x20



6-16

3-4





B0502



X4

B0503



X4

B0504

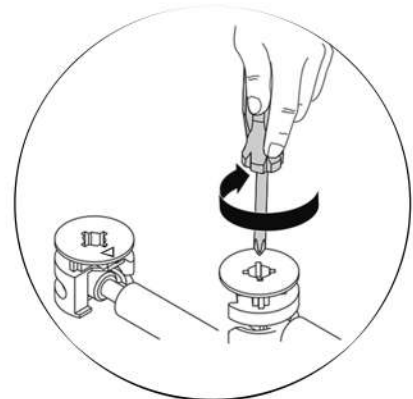
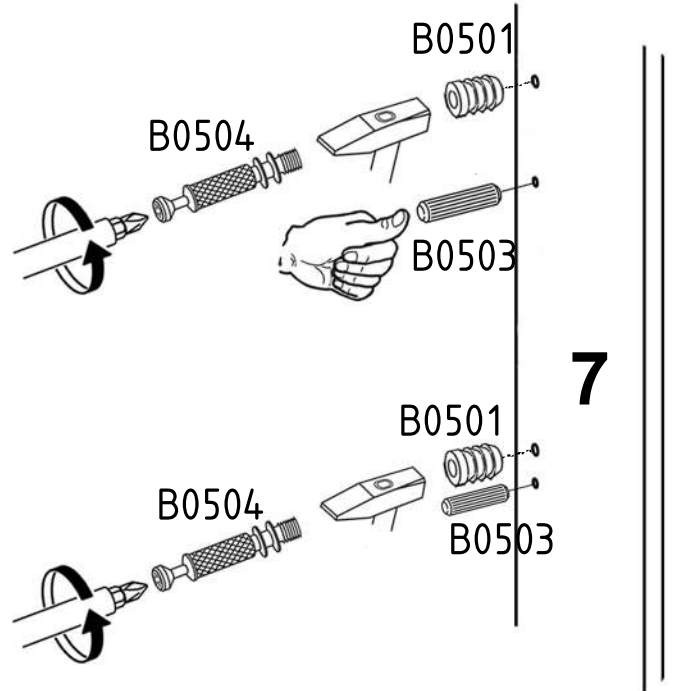
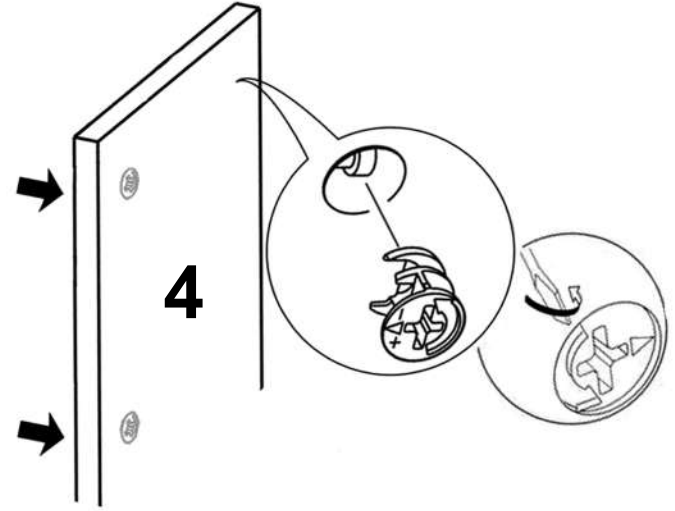
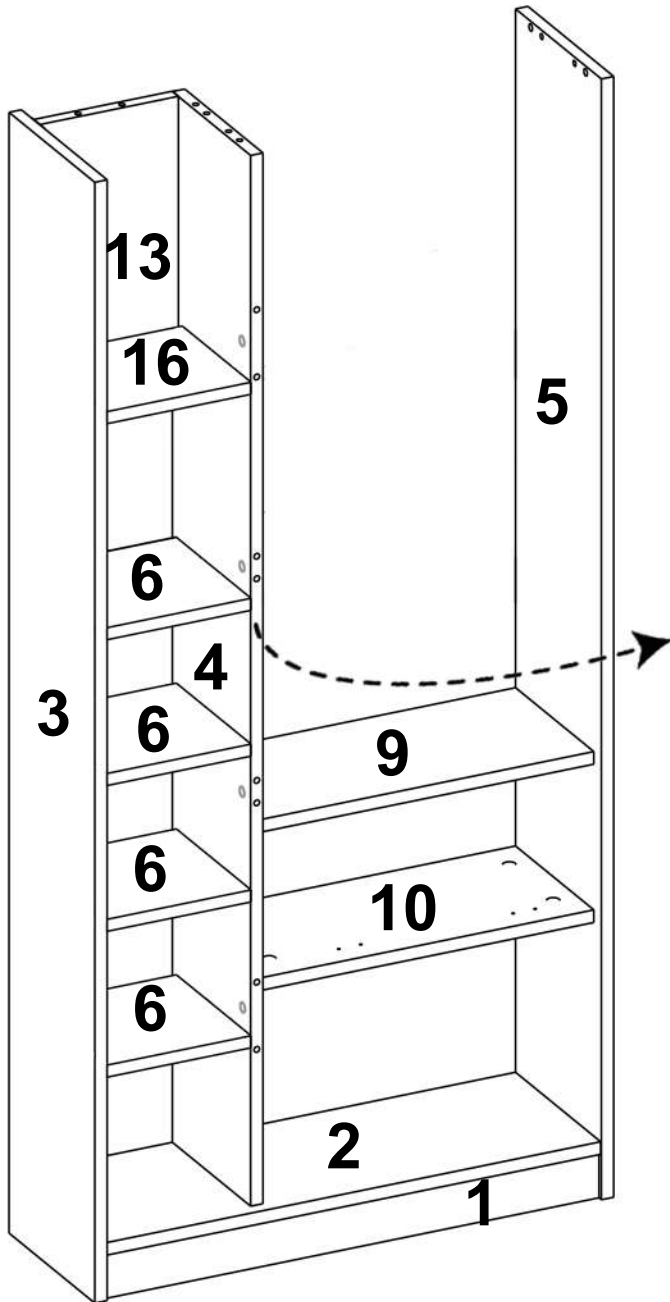
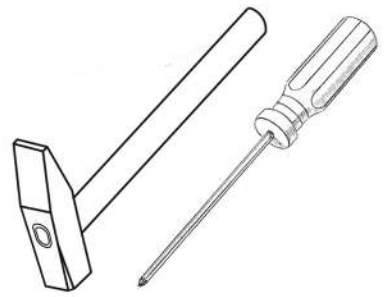


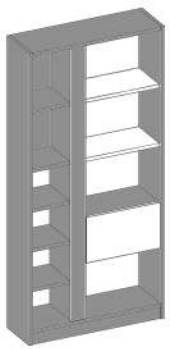
X4

B0501



X4





B0502



x6

B0503



x8

B0504

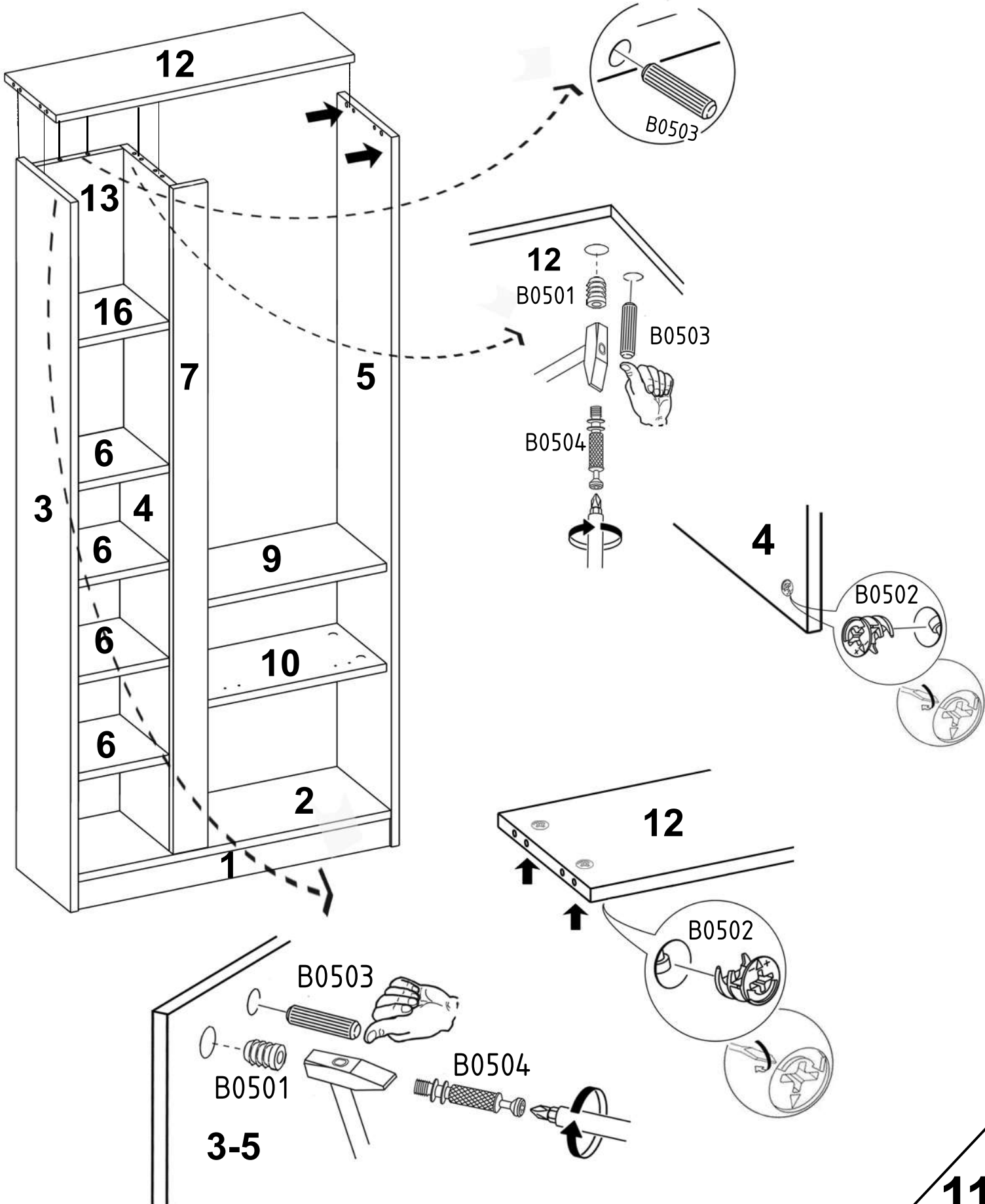
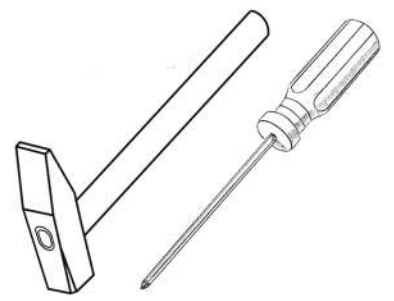


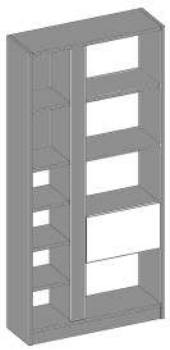
x6

B0501



x6

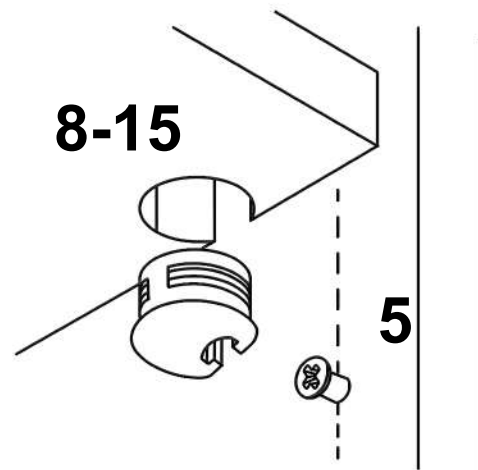
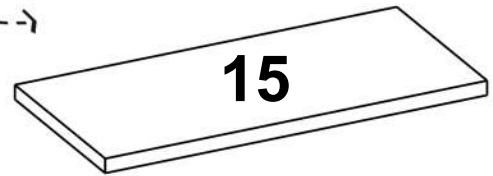
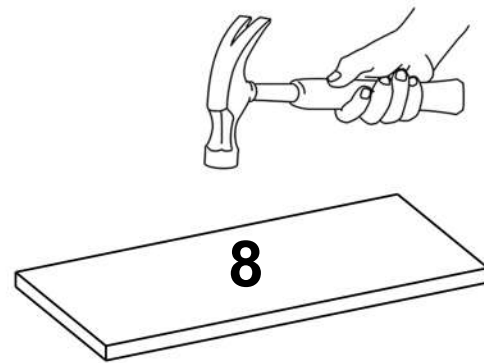
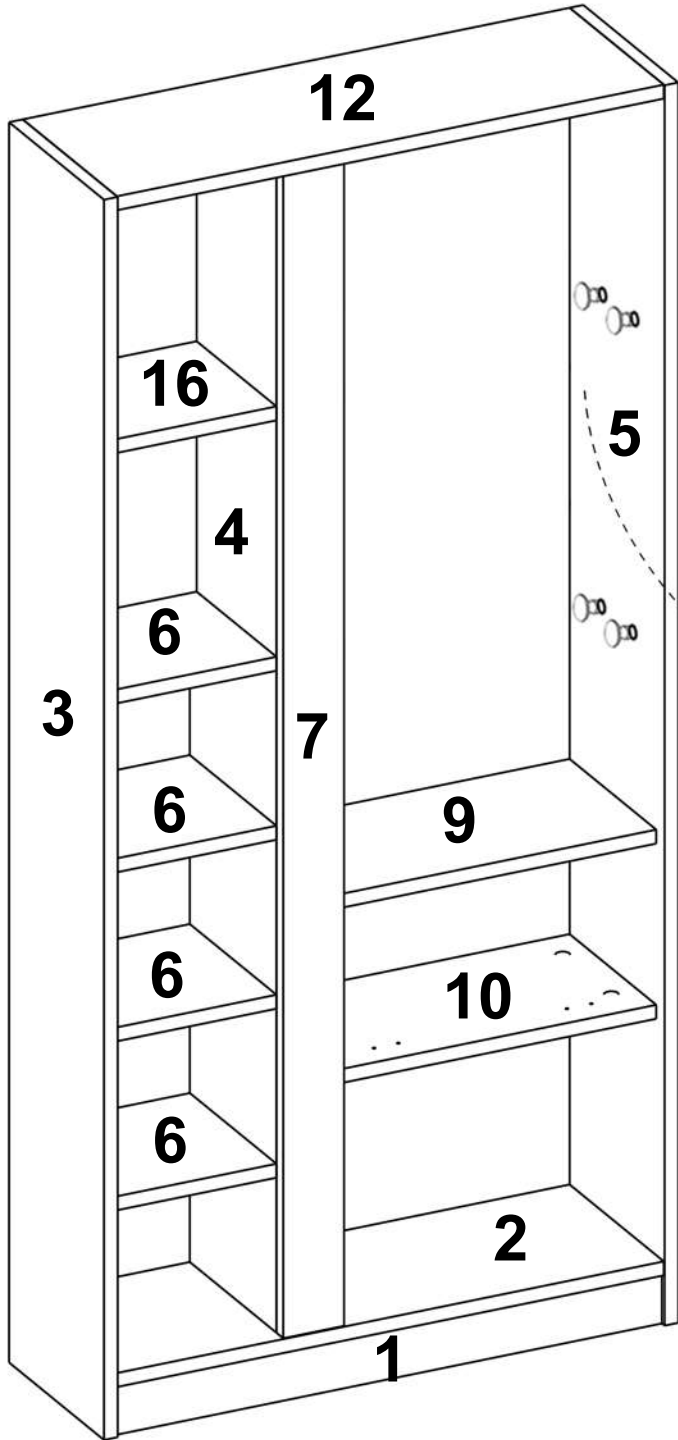
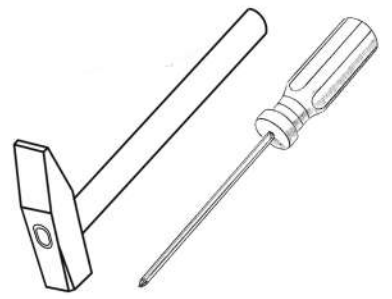




B0507



x8





B0101



x2

B0105

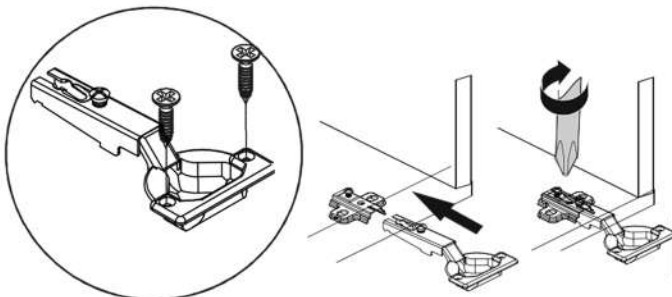
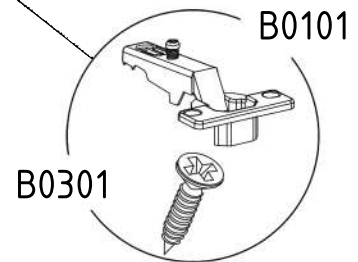
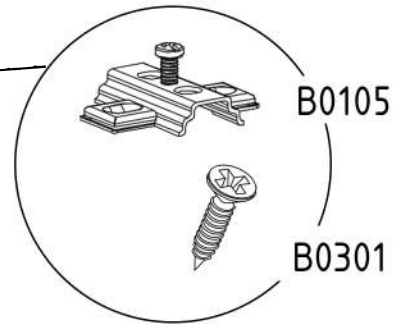
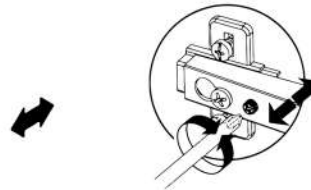
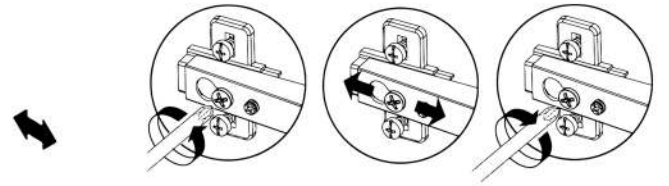
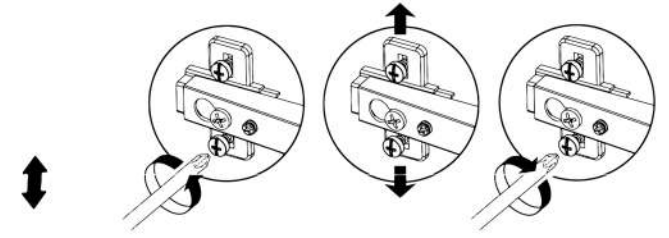
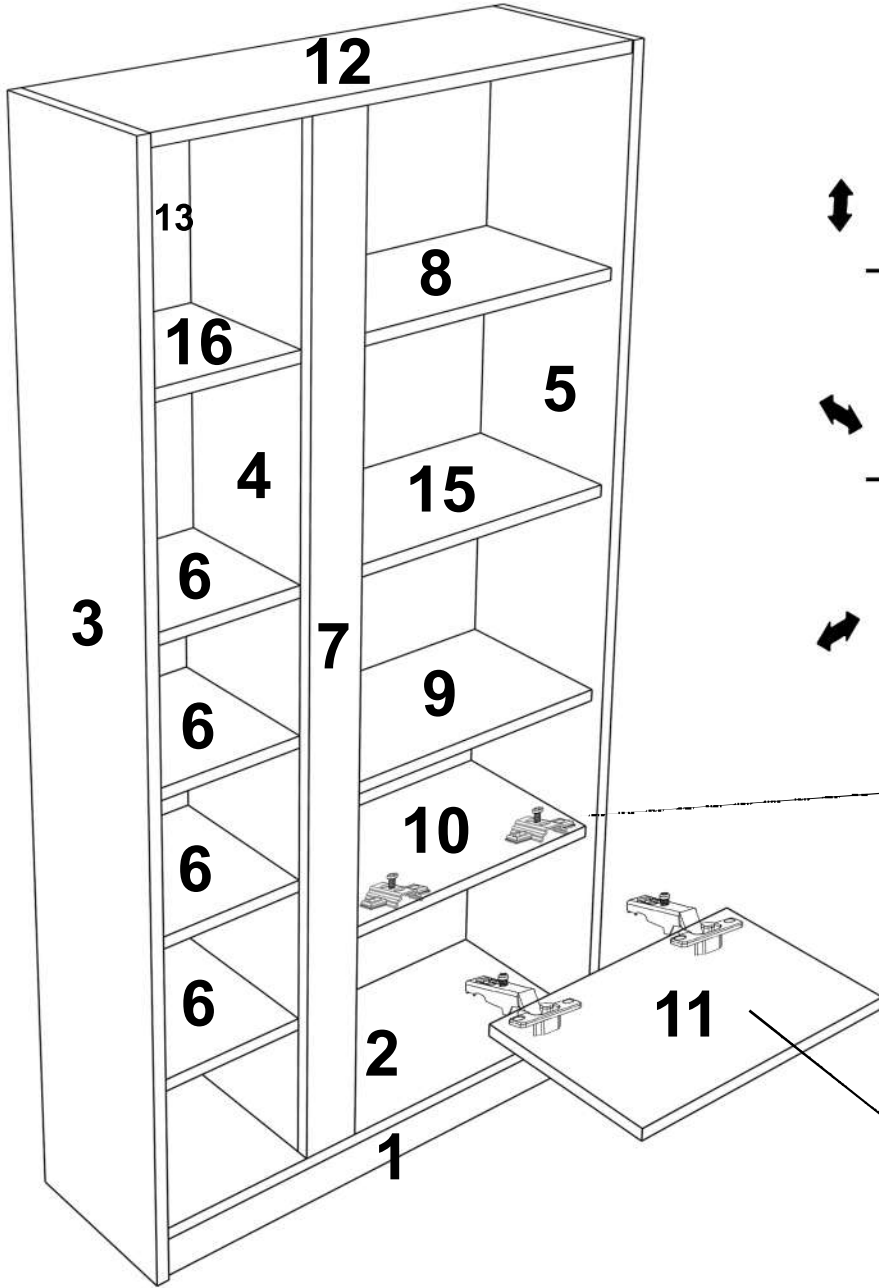
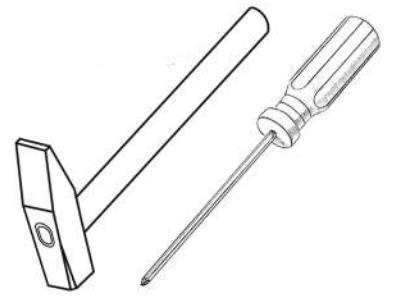


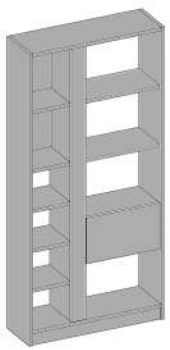
x2

B0301



x8





B0318



x8

