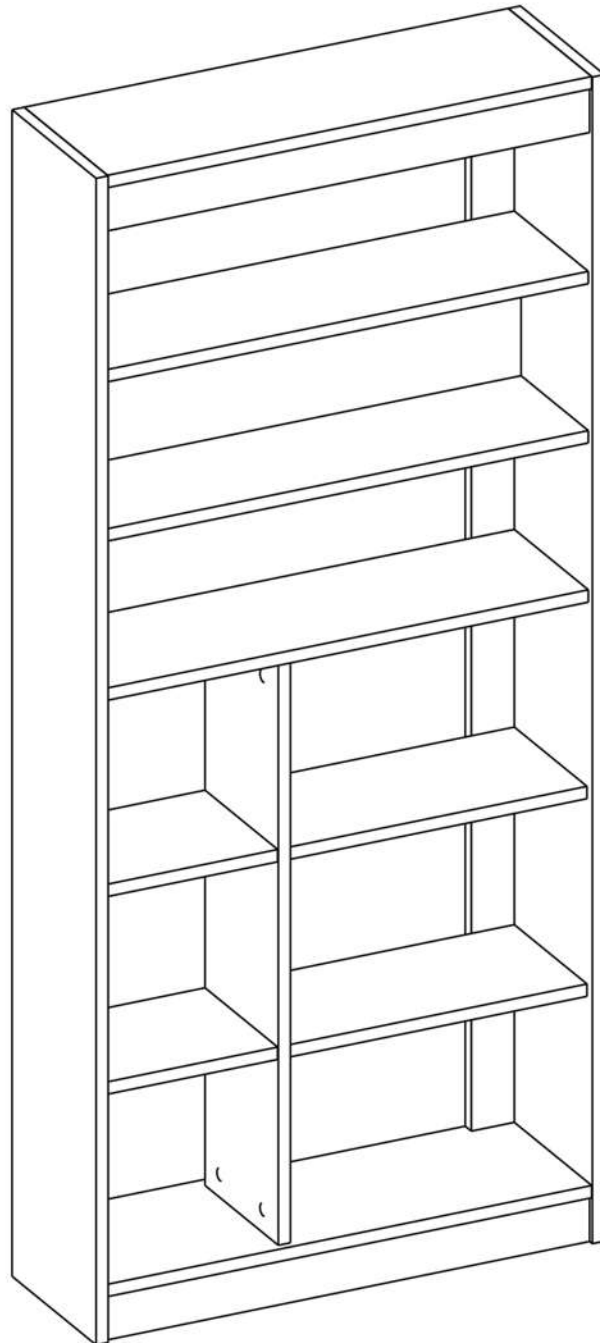






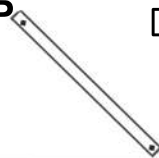

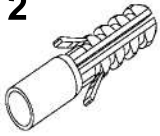
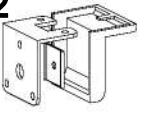

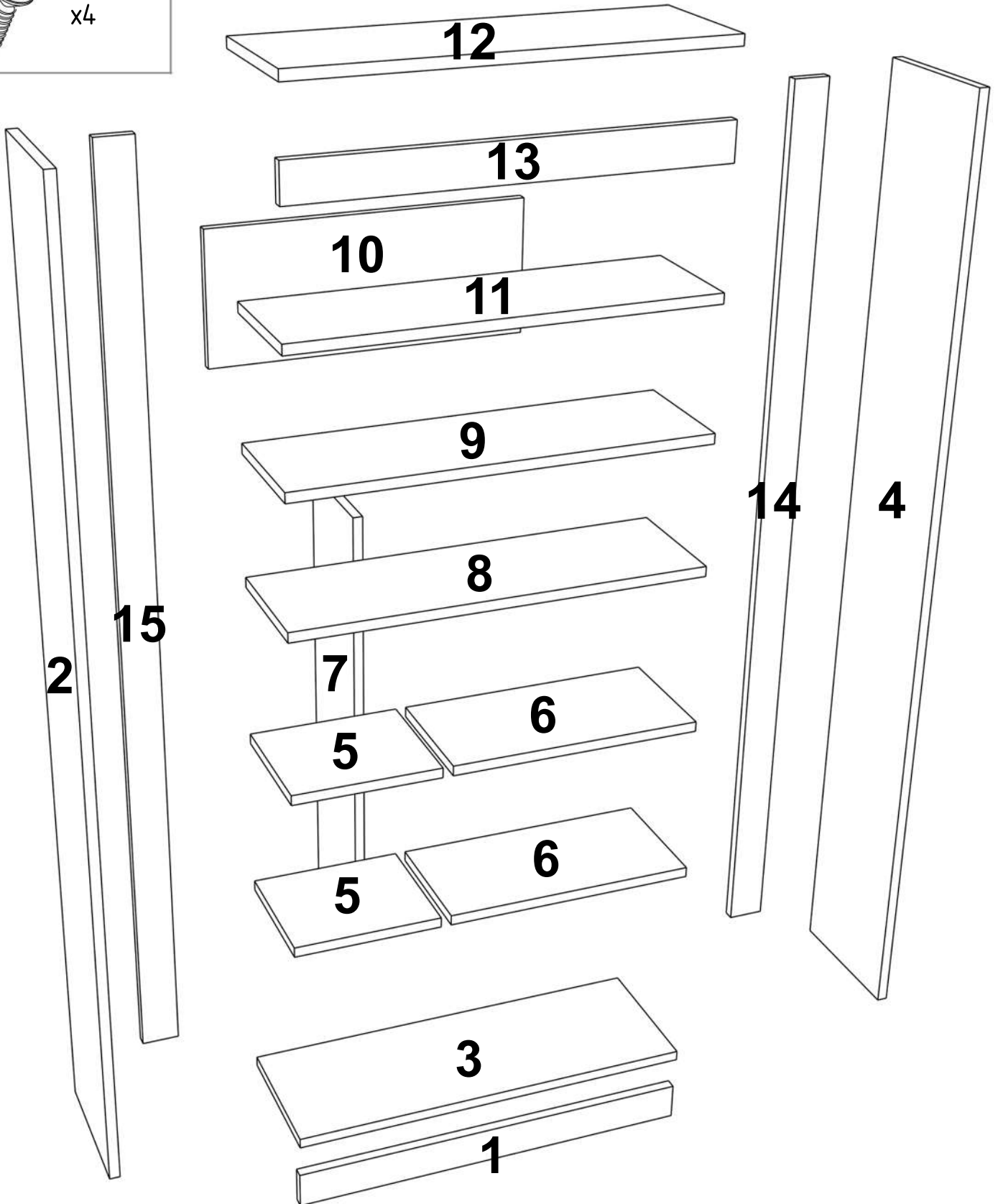
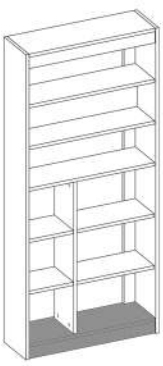


176-000108

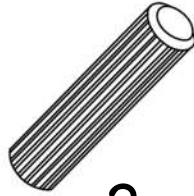


1  B0501 x41	1  B0502 x49	1  B0503 x53	1  B0504 x41	2  B0305 x4
1  B0506 x4	P  D0116 x2	2  B0306 x2	2  B0317 x2	2  B1303 x2
2  B0301 x4				

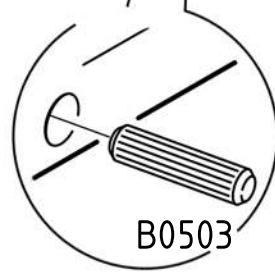
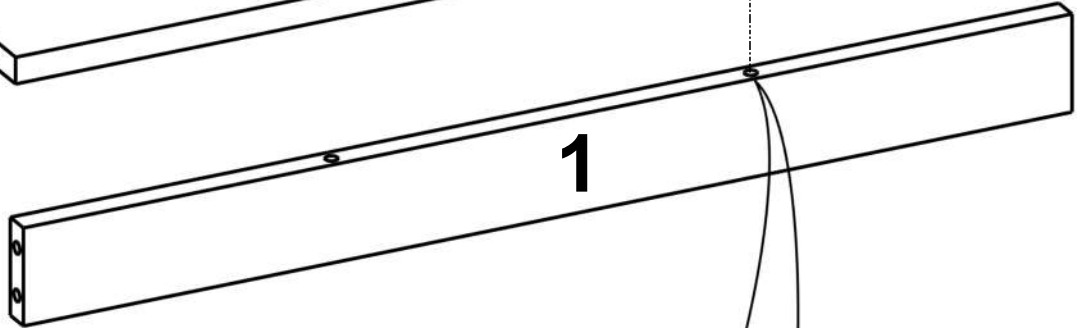
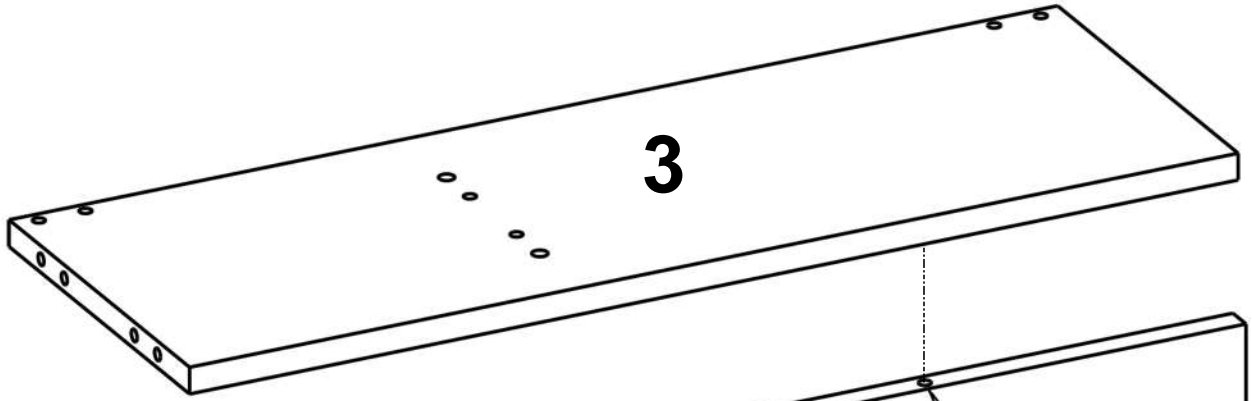
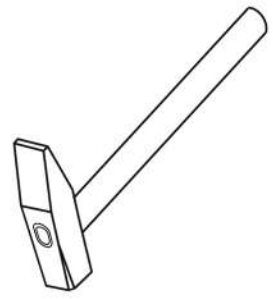




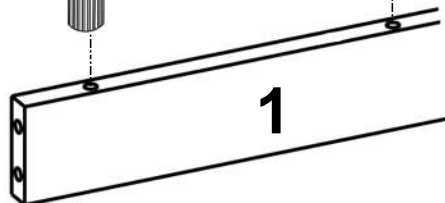
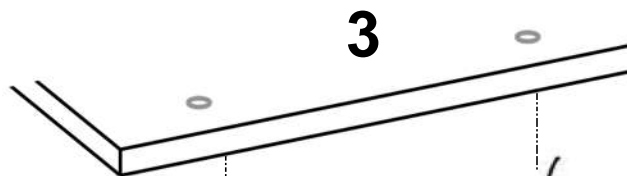
B0503

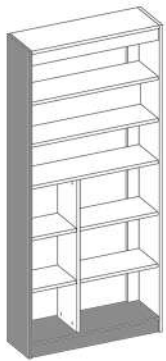


x2



B0503





B0502



x2

B0503



x4

B0504

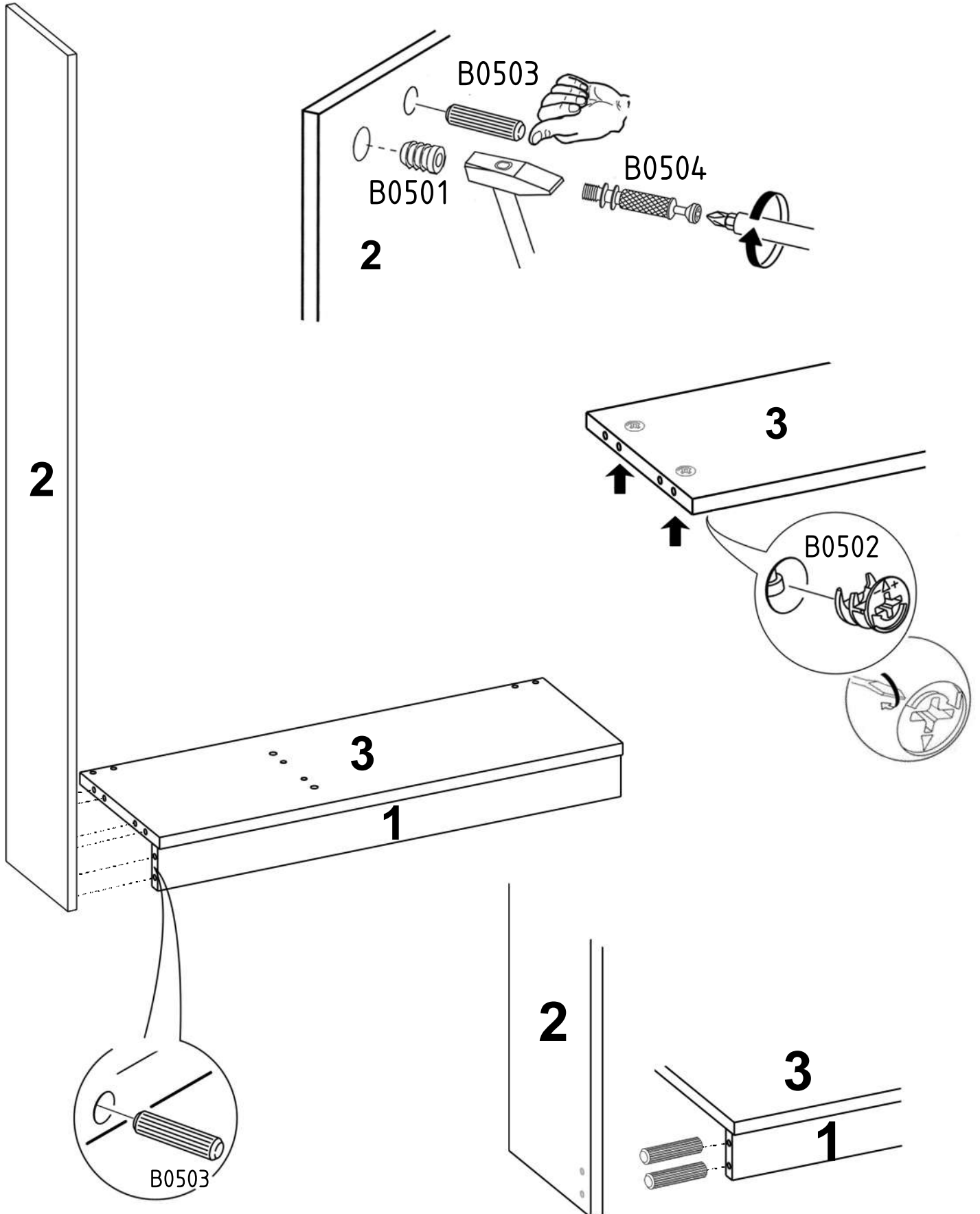
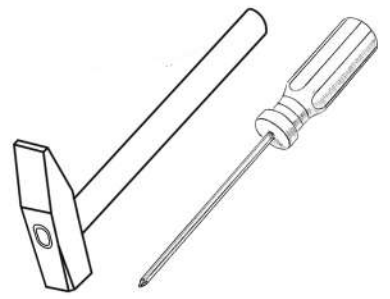


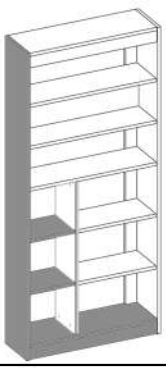
x2

B0501



x2





B0502



x4

B0503



x4

B0504

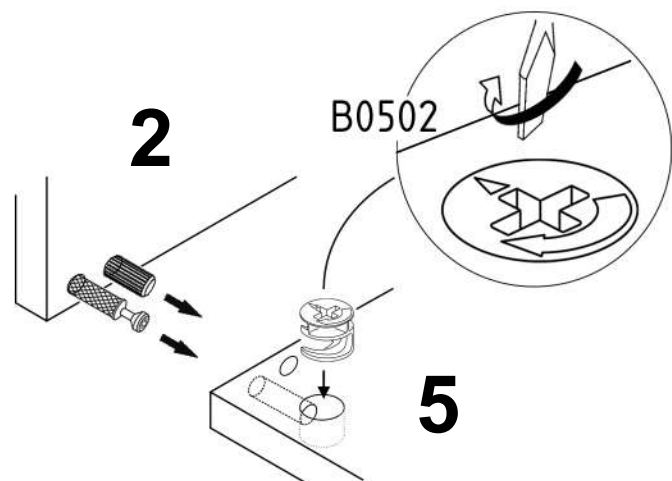
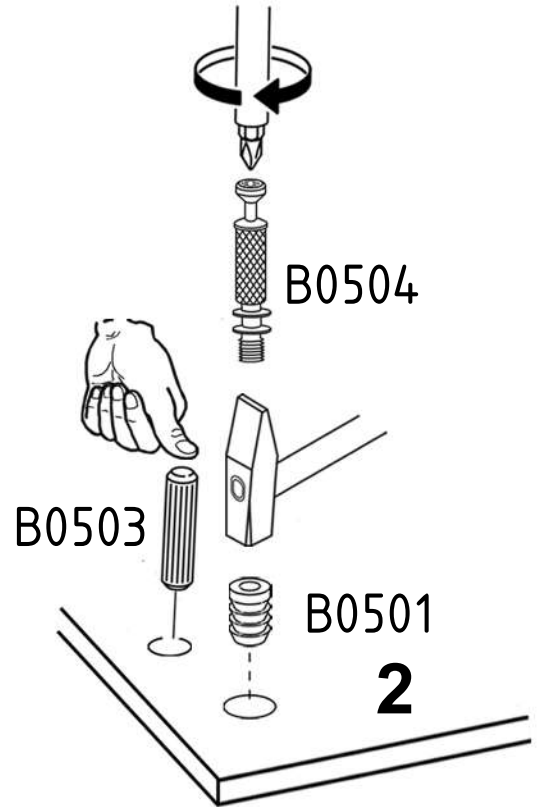
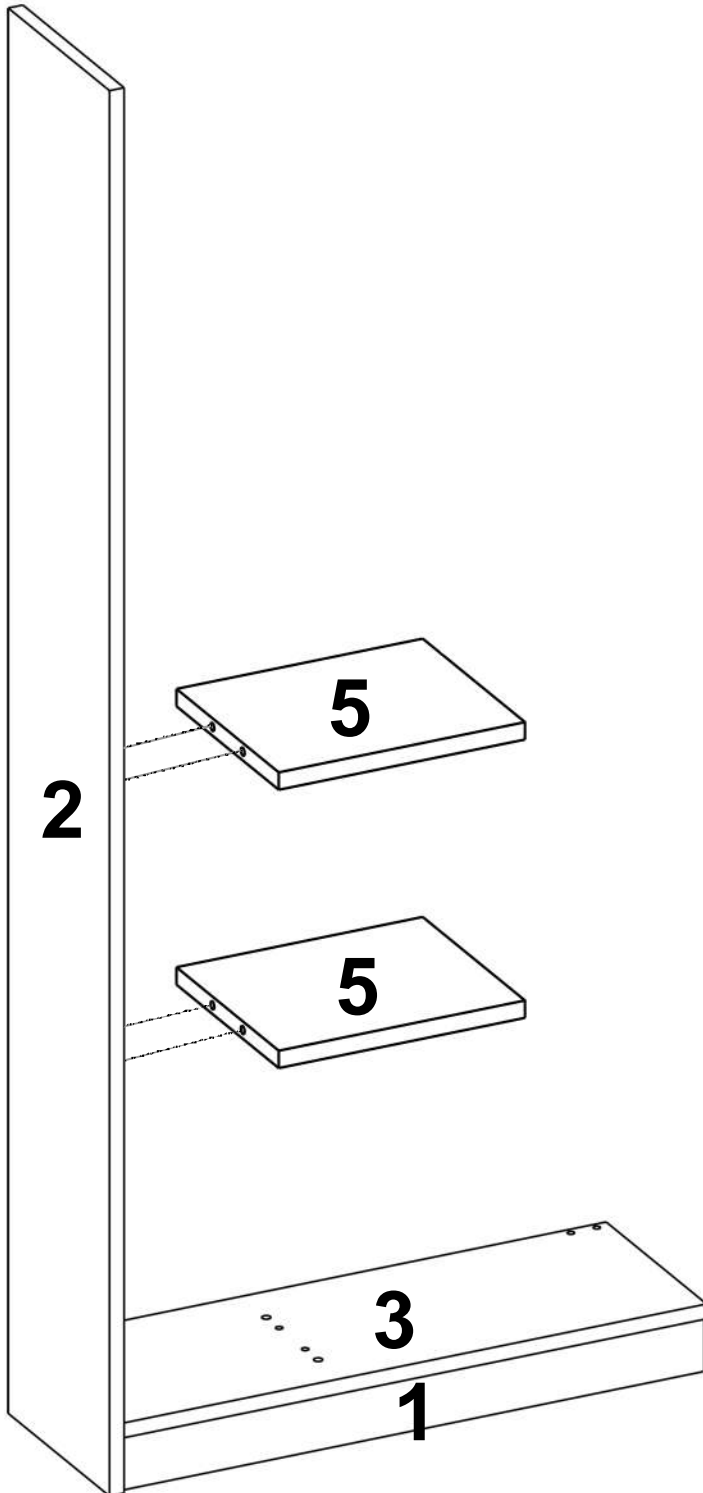
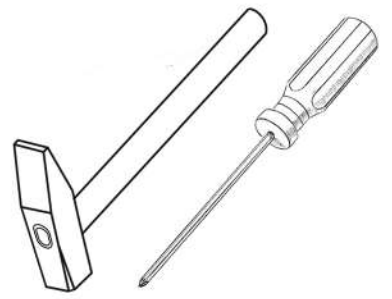


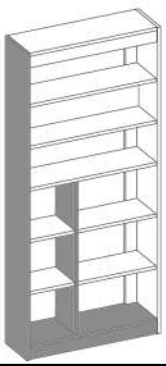
x4

B0501



x4





B0502



x6

B0503



x2

B0504



x2

B0501

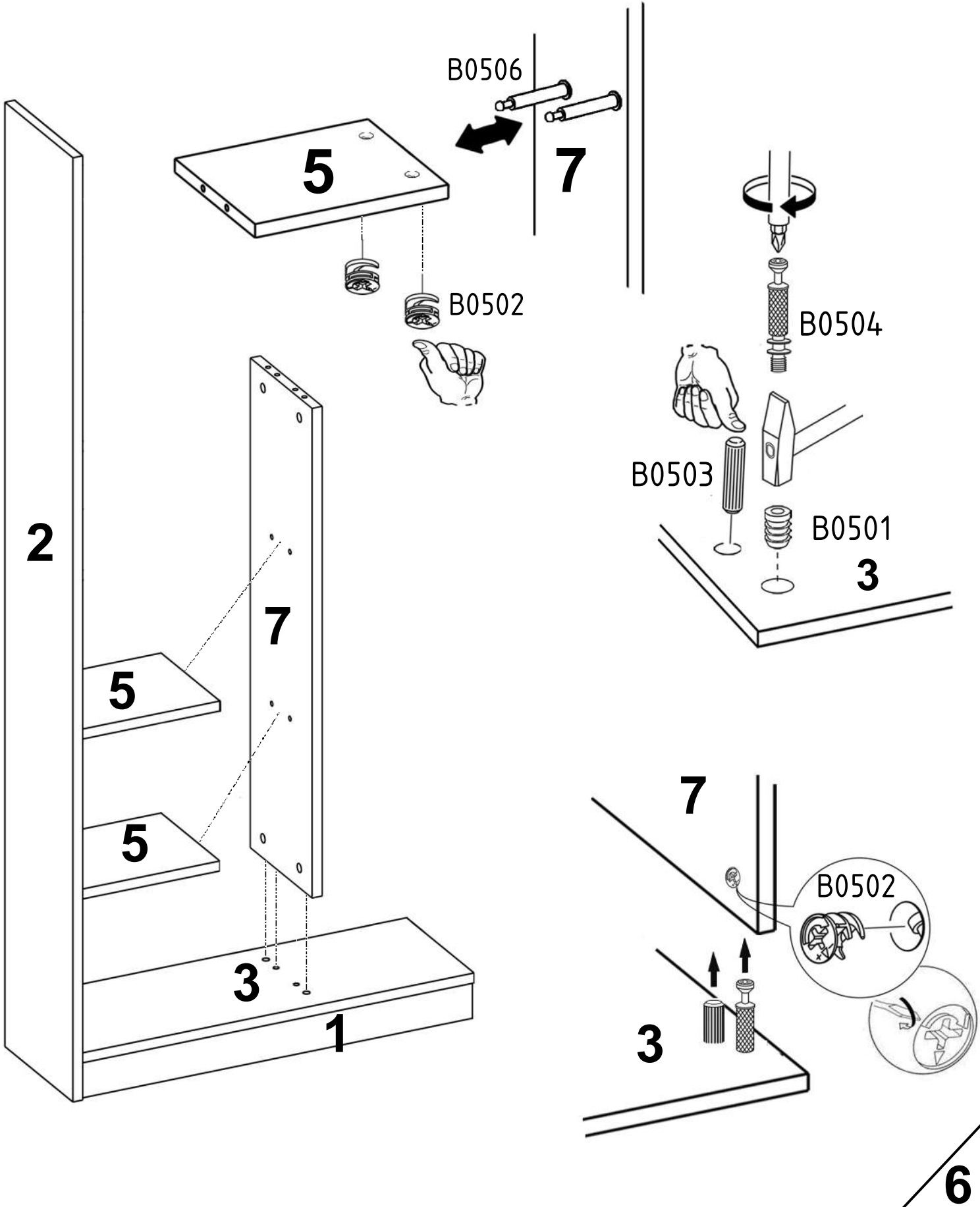
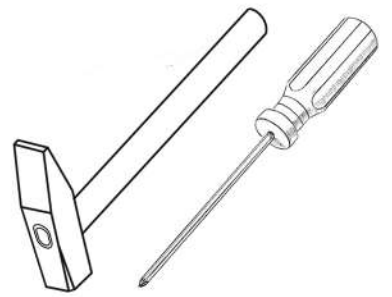


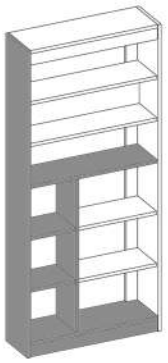
x2

B0506



x4





B0502



x4

B0503



x4

B0504

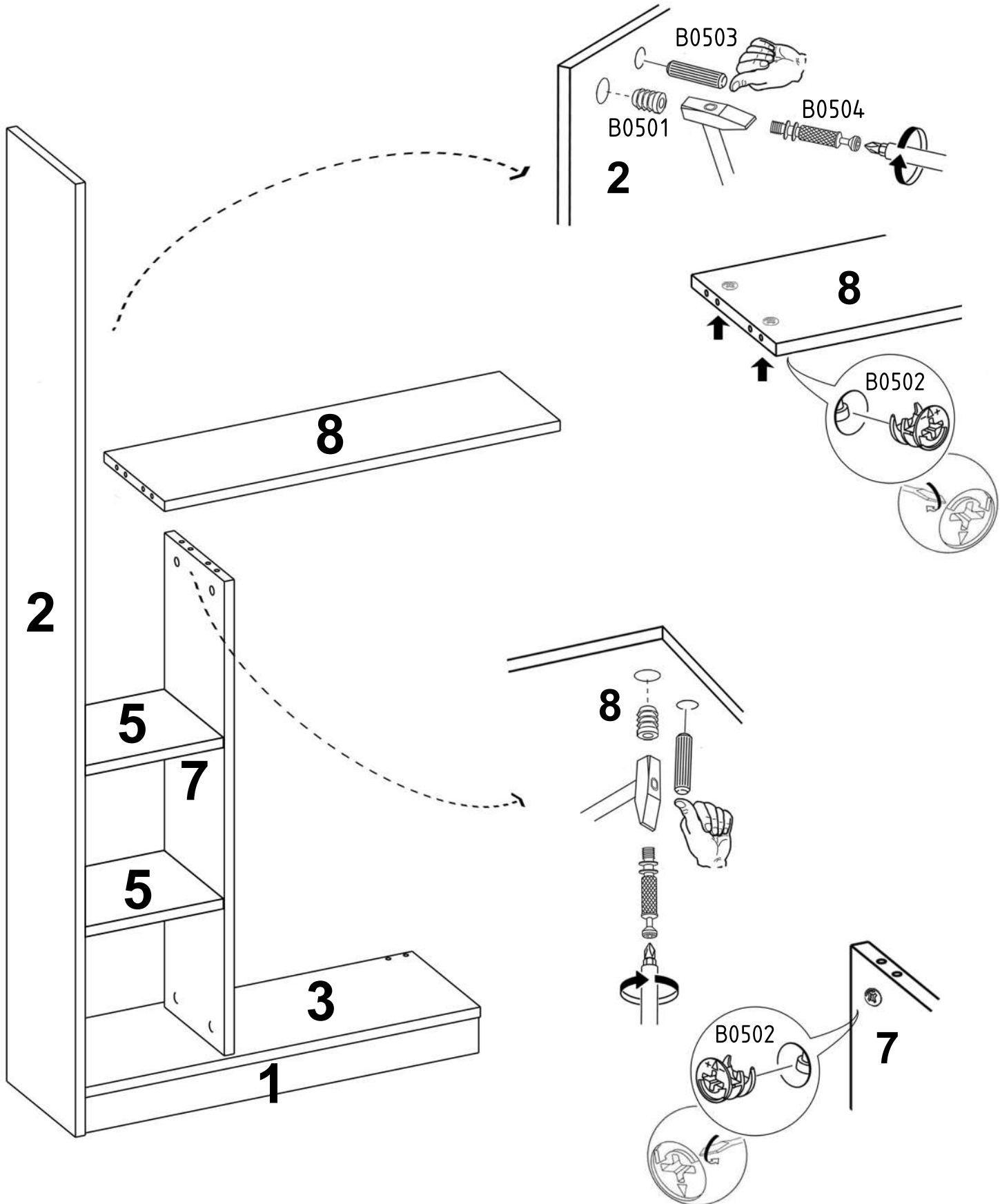
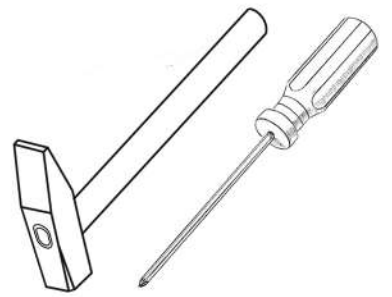


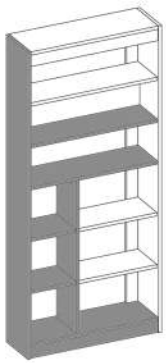
x4

B0501



x4





B0502



x2

B0503



x2

B0504

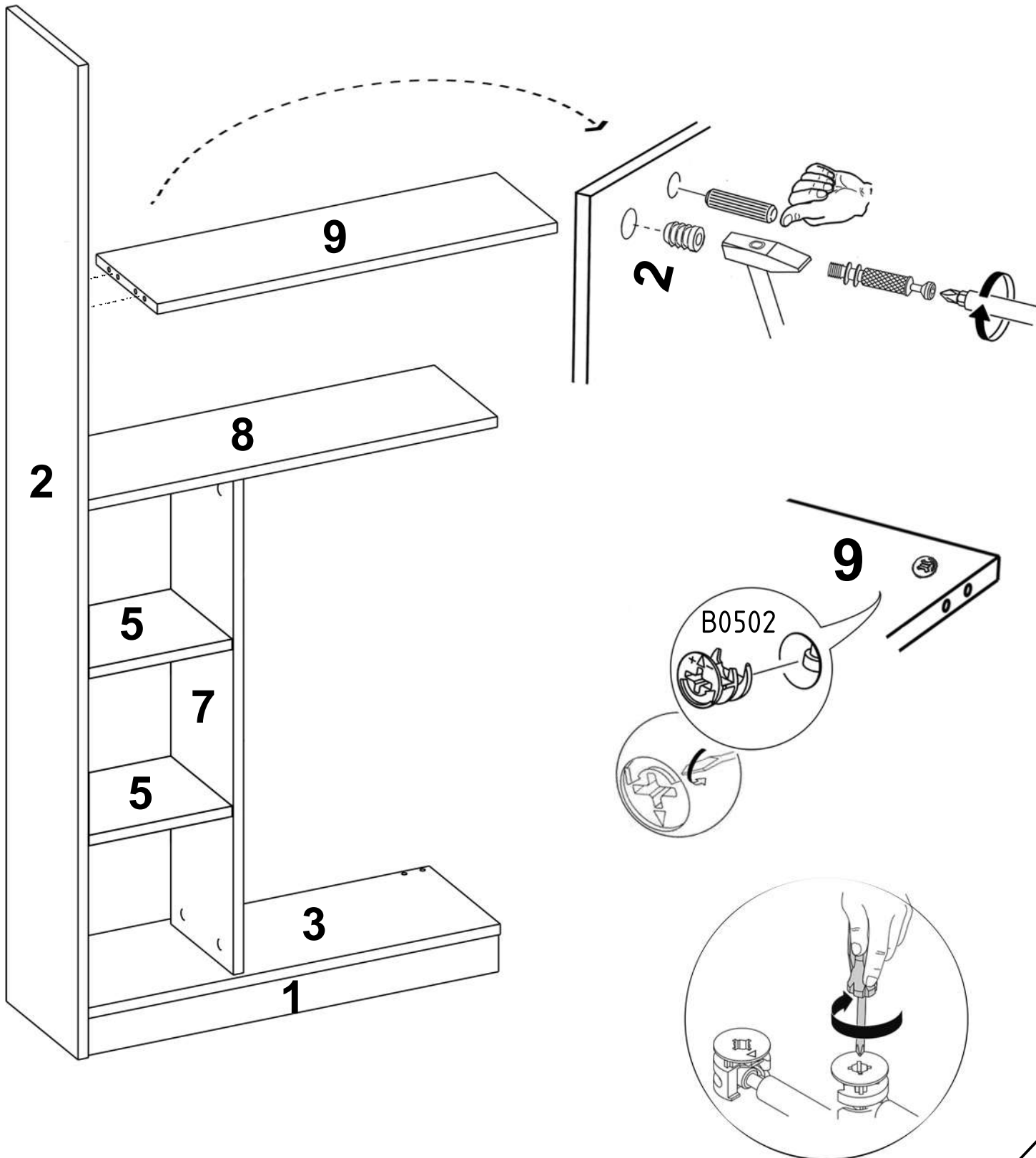
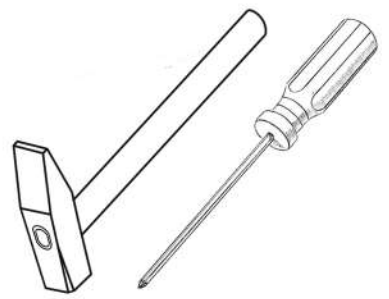


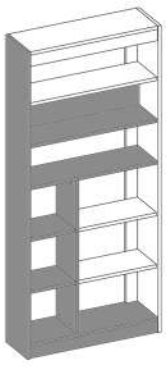
x2

B0501



x2

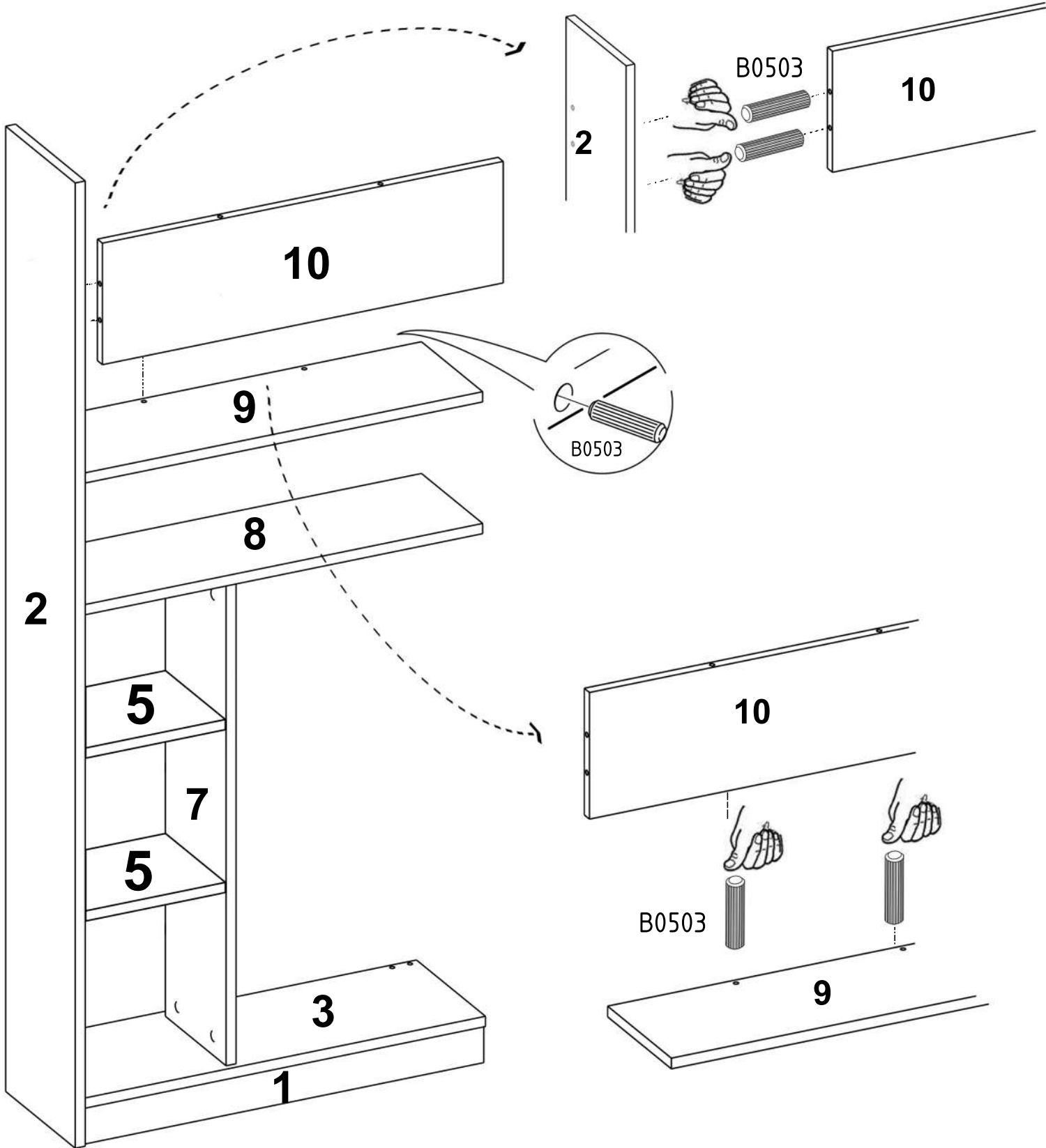
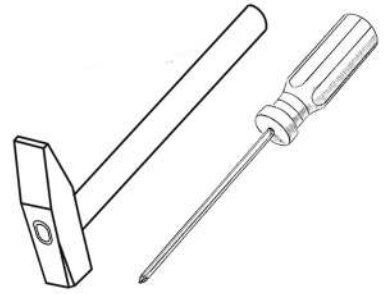


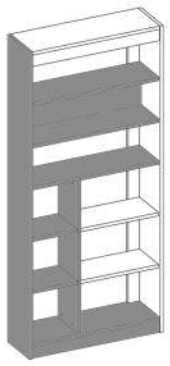


B0503



X4





B0502



x2

B0503



x4

B0504

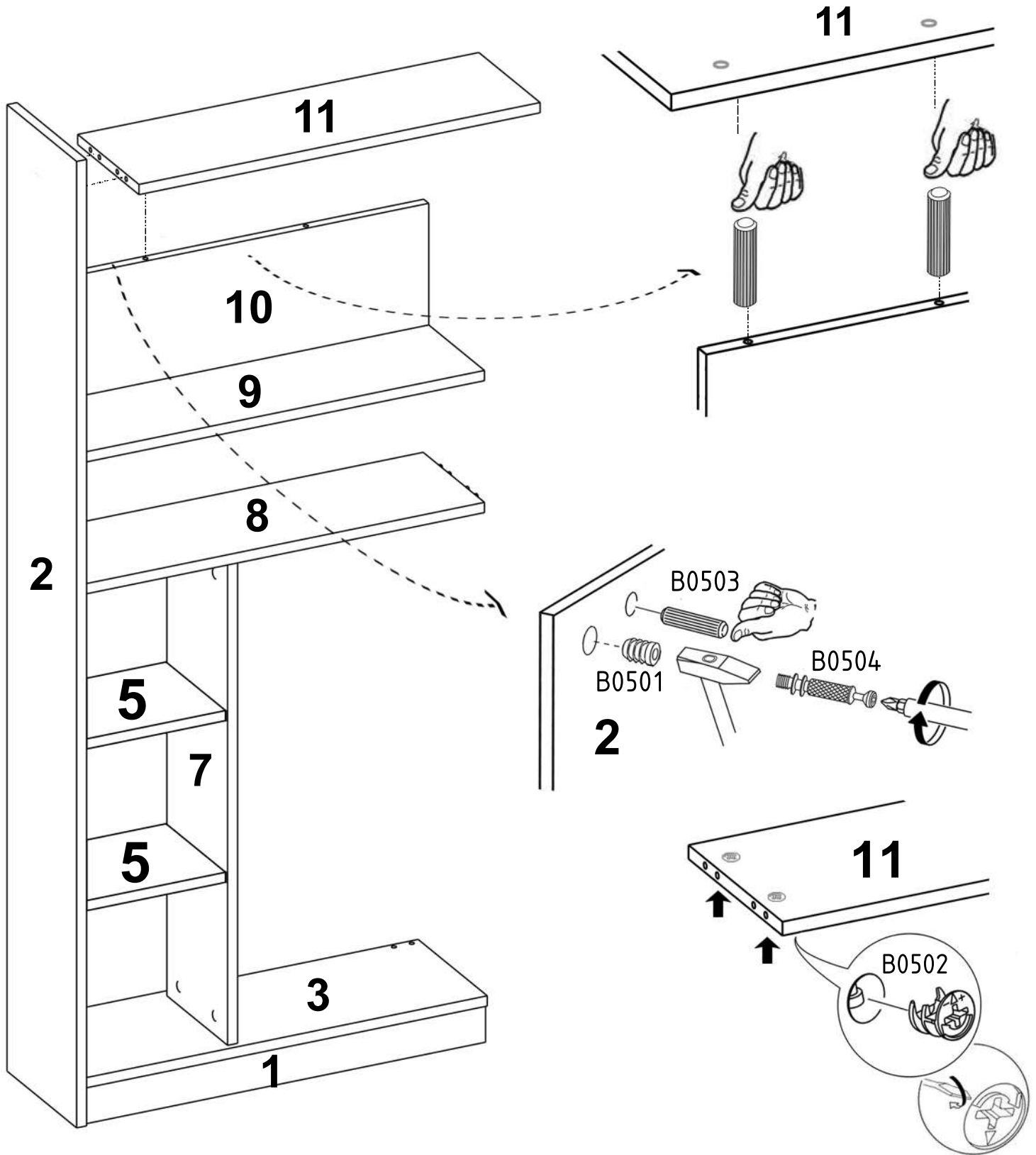
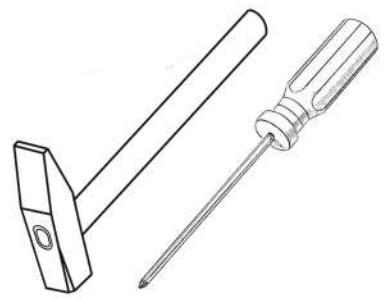


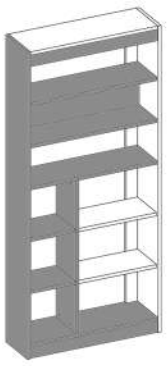
x2

B0501



x2

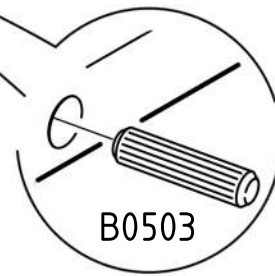
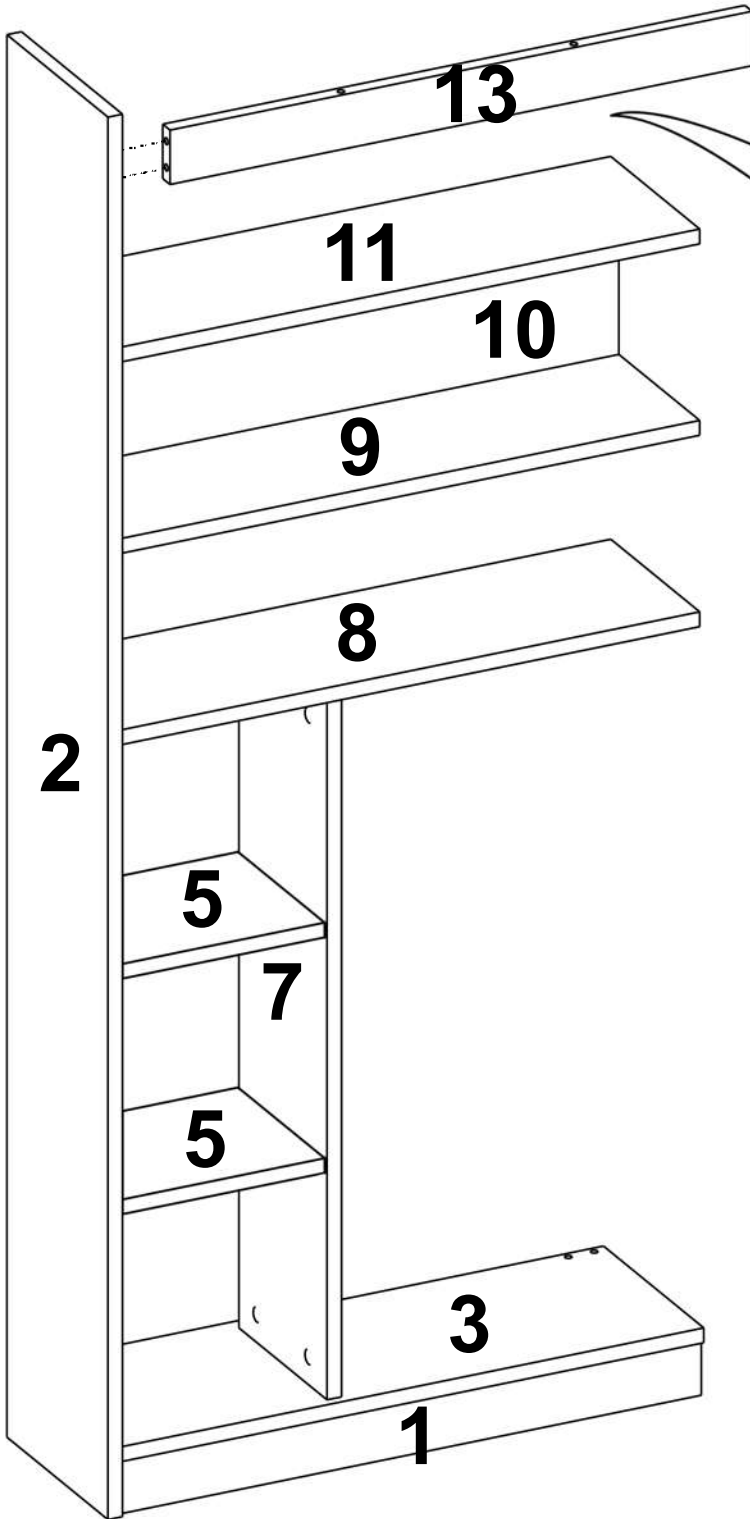
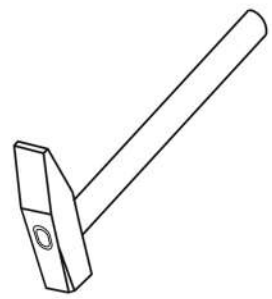




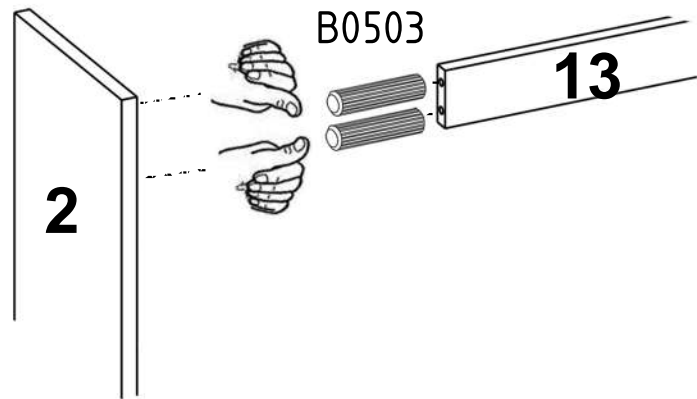
B0503



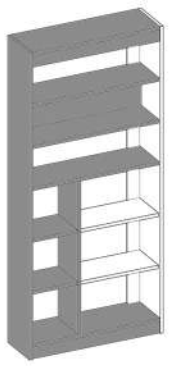
x2



B0503



B0503



B0502



x2

B0503



x4

B0504

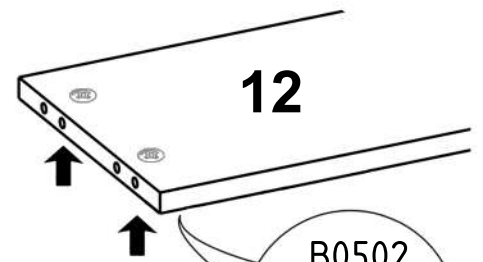
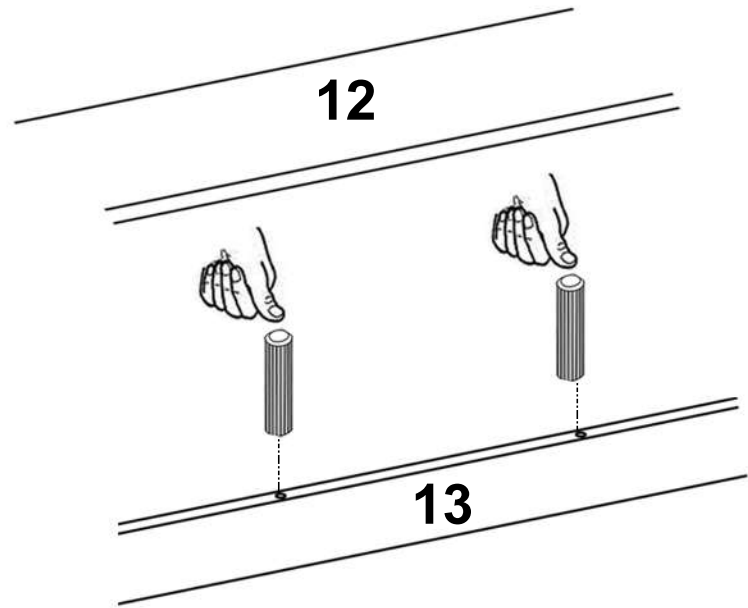
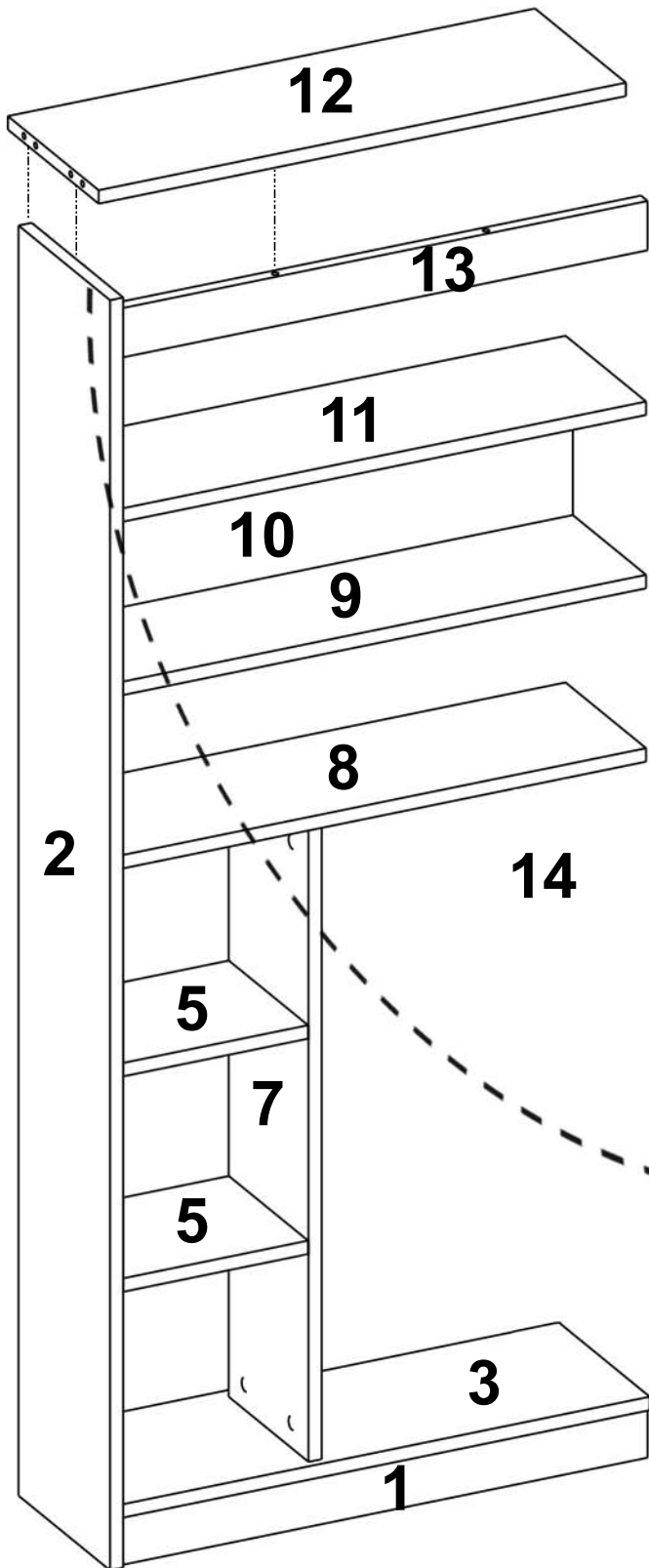
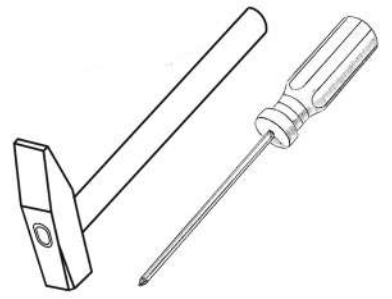


x2

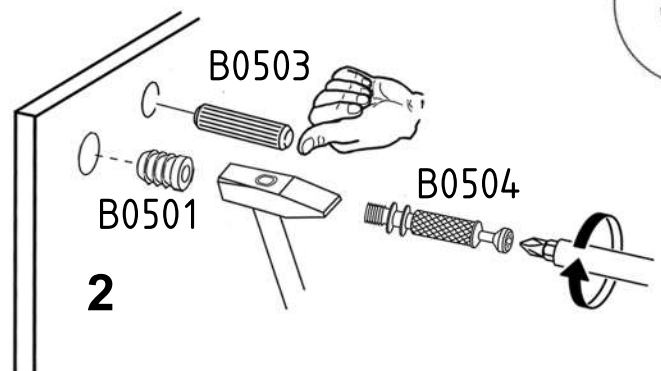
B0501



x2



B0502

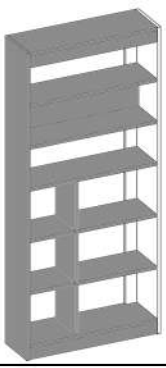


B0503

B0501

2

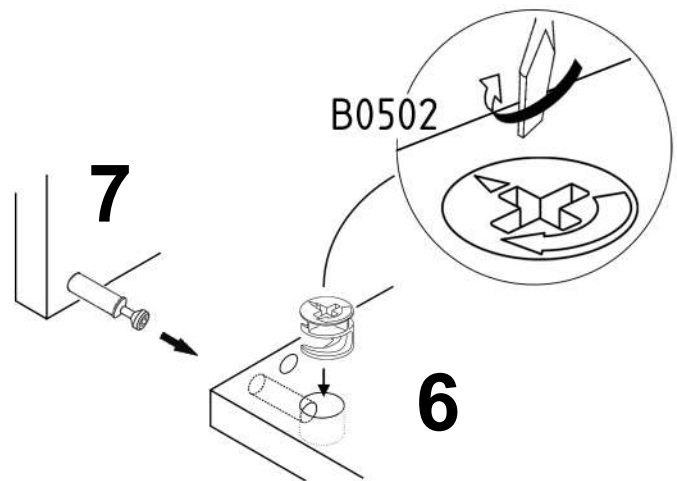
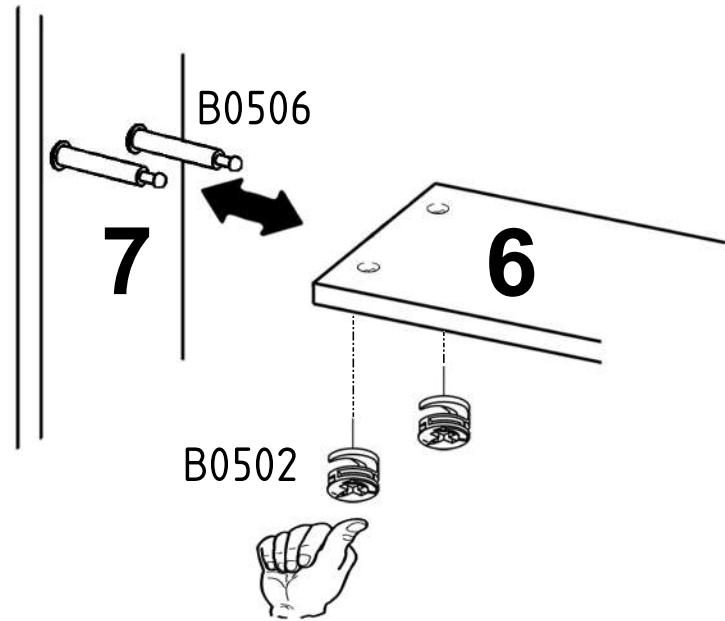
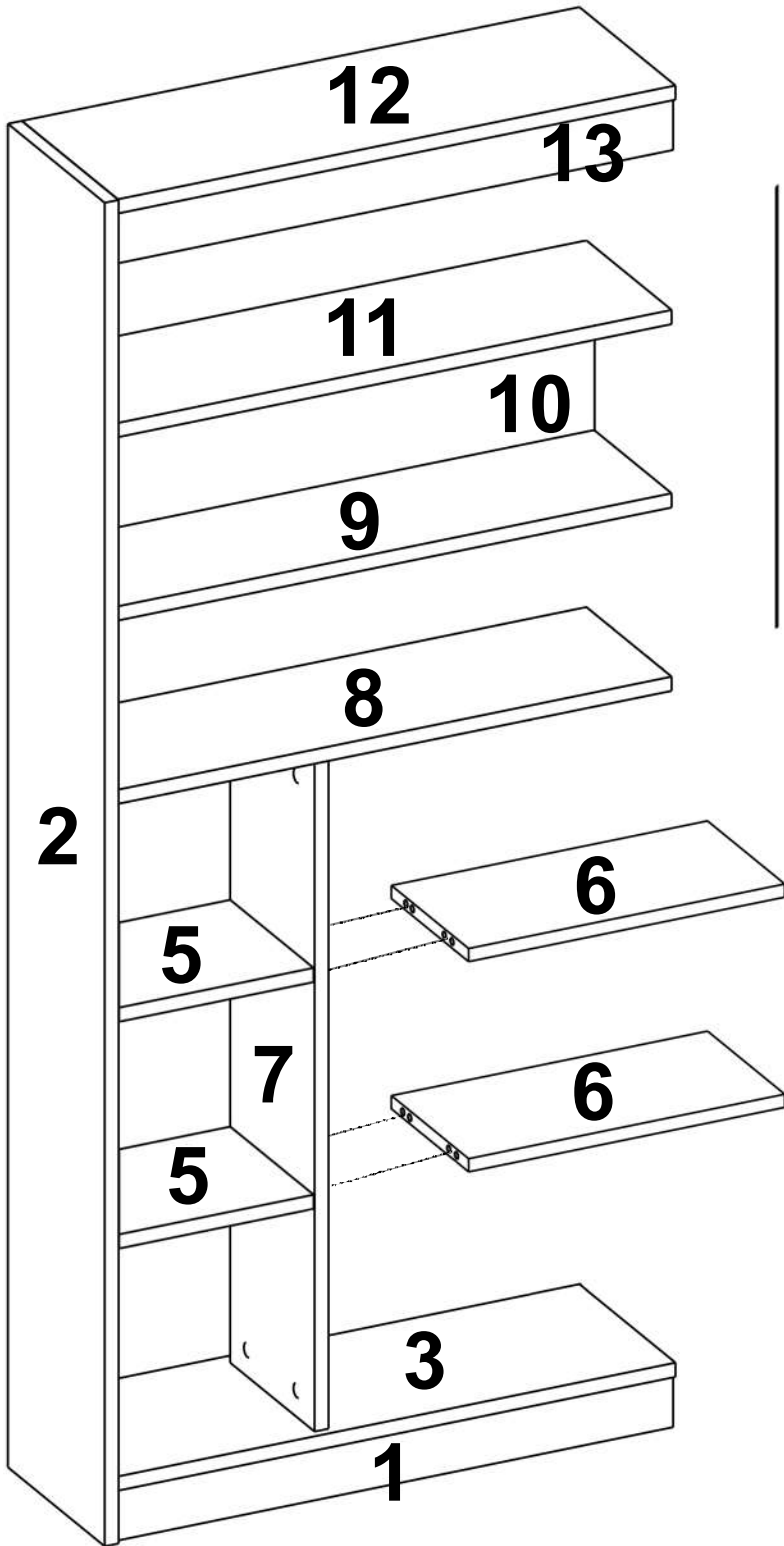
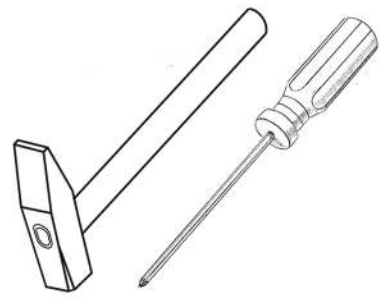
B0504

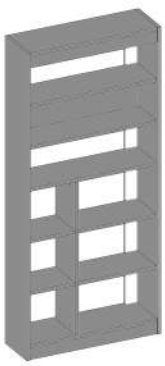


B0502



X4





B0502



x14

B0503



x20

B0504

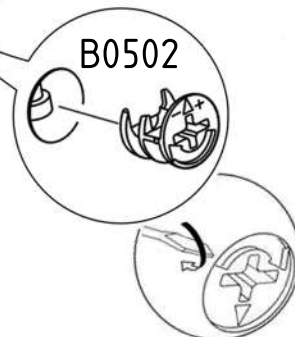
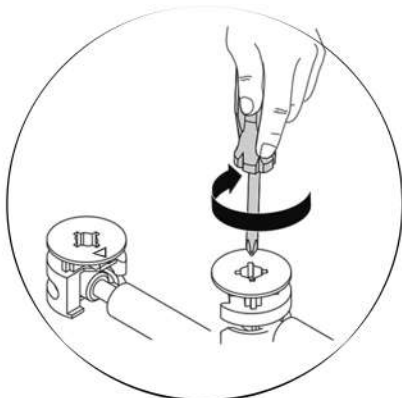
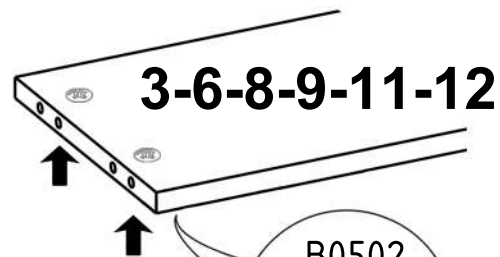
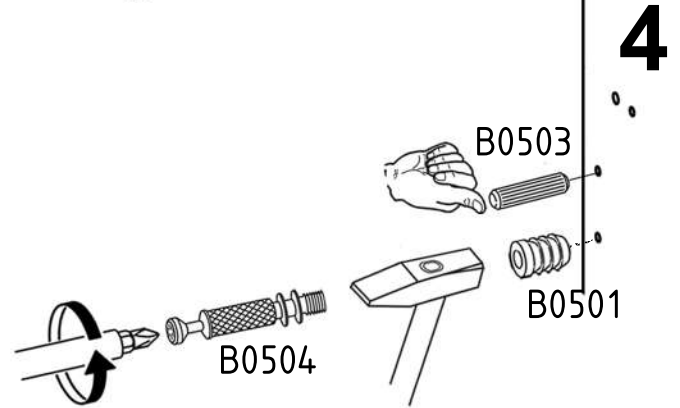
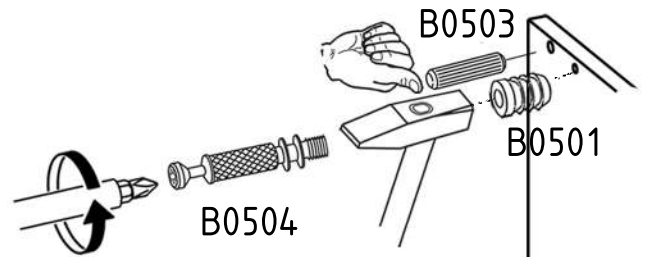
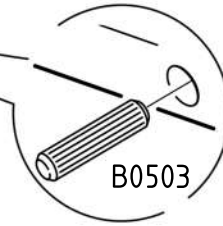
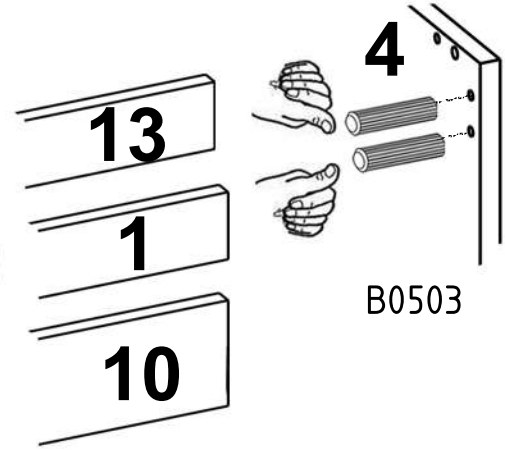
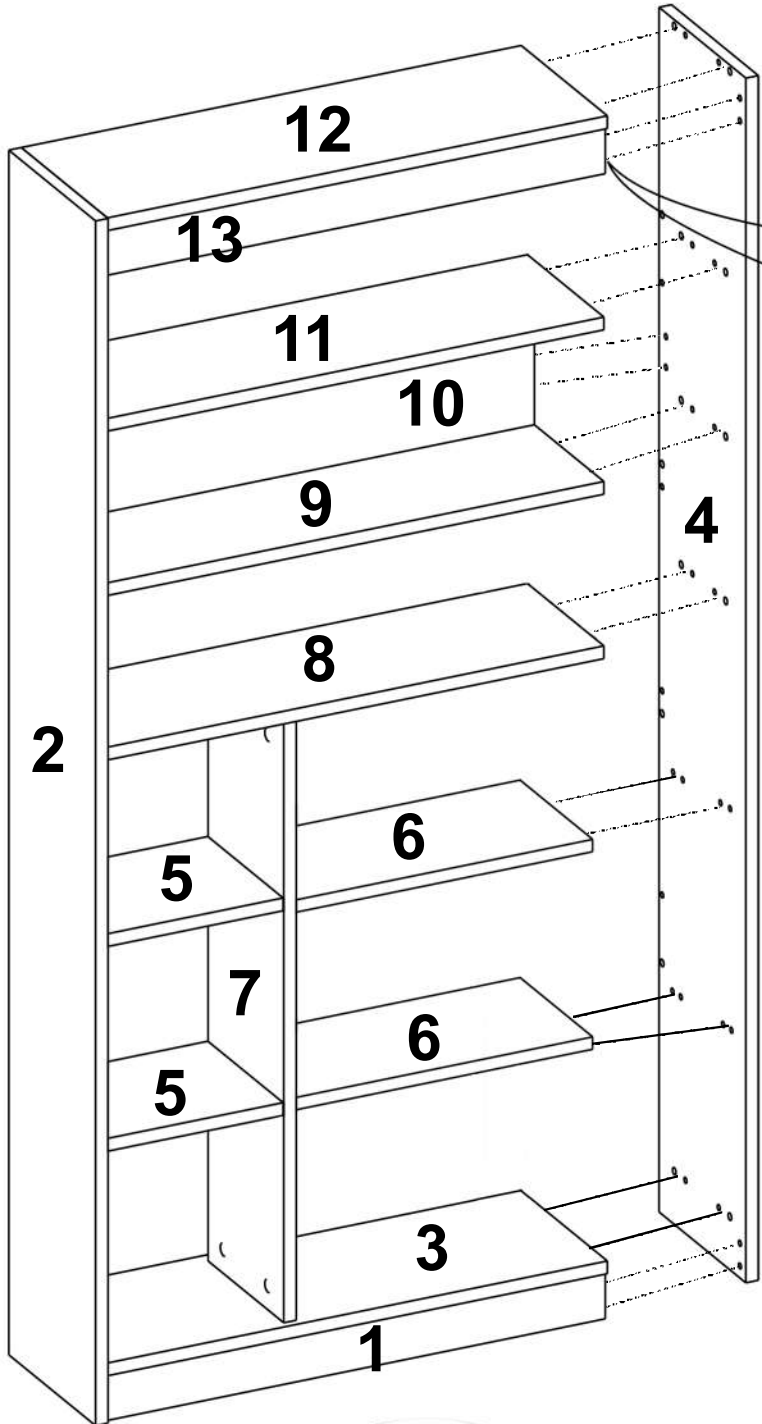
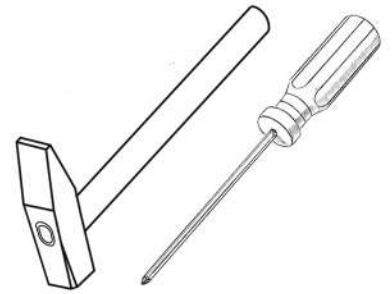


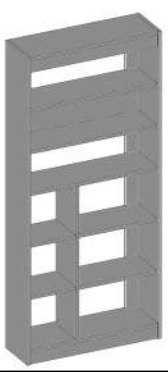
x14

B0501



x14





B0502



x8

B0503



x8

B0504

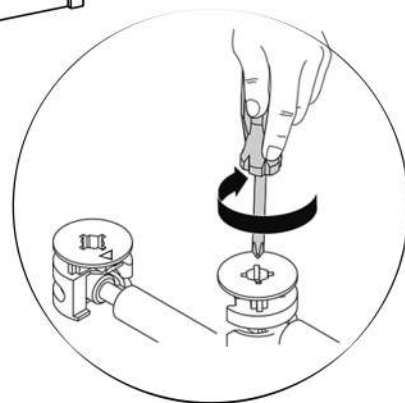
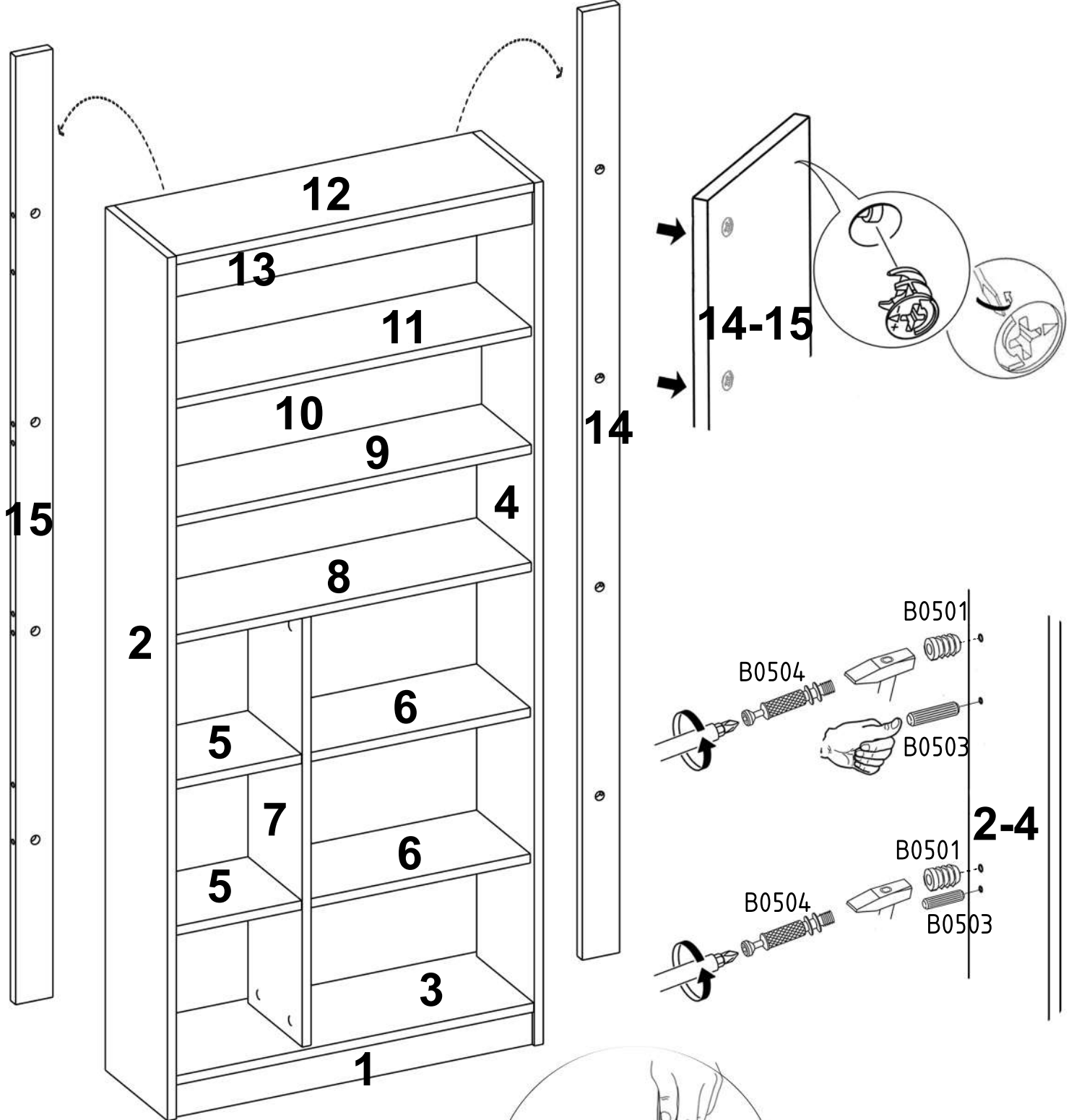
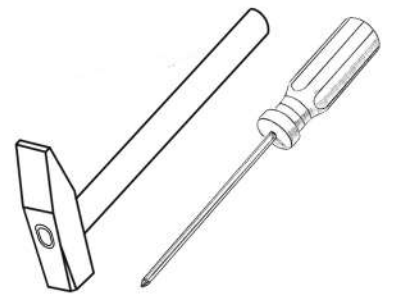


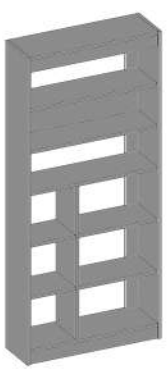
x8

B0501



x8





B0305

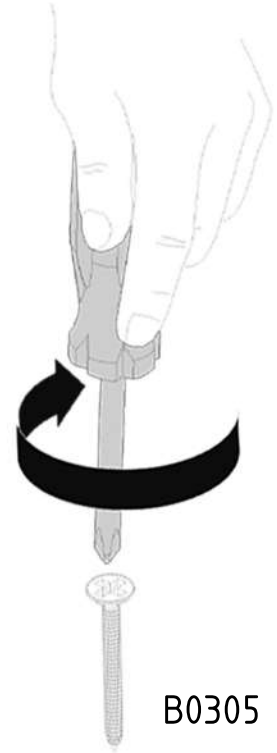
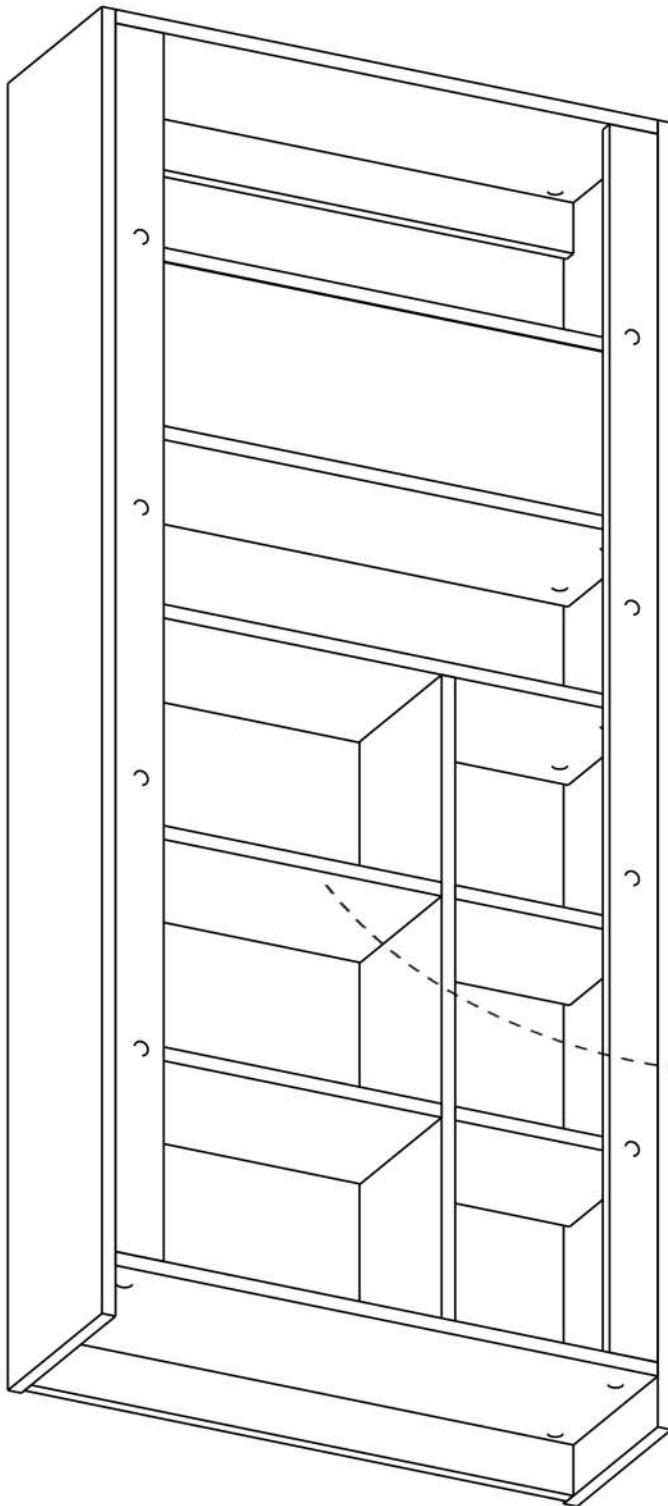
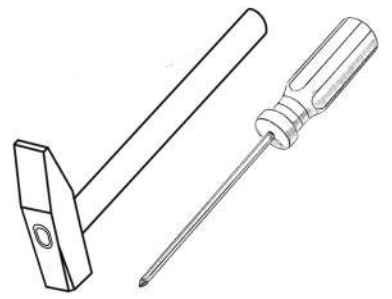


x4

D0116



x2



B0305

