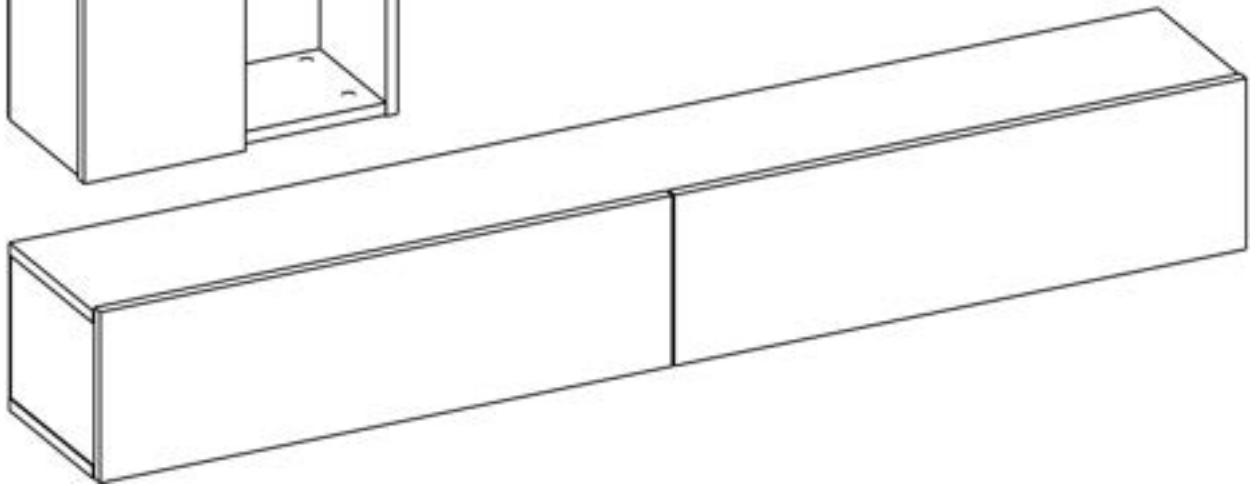
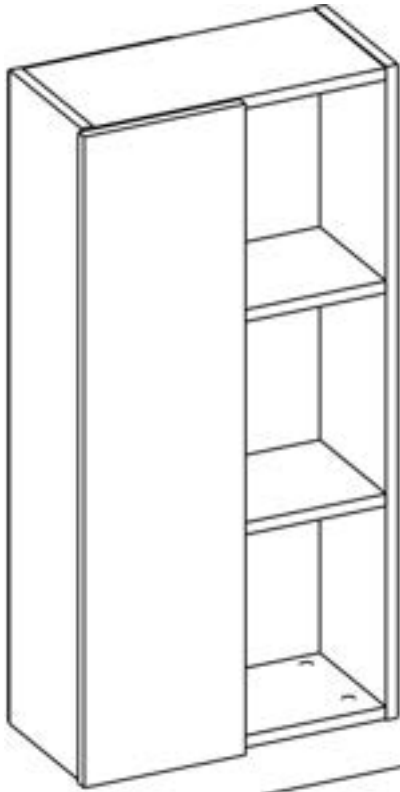














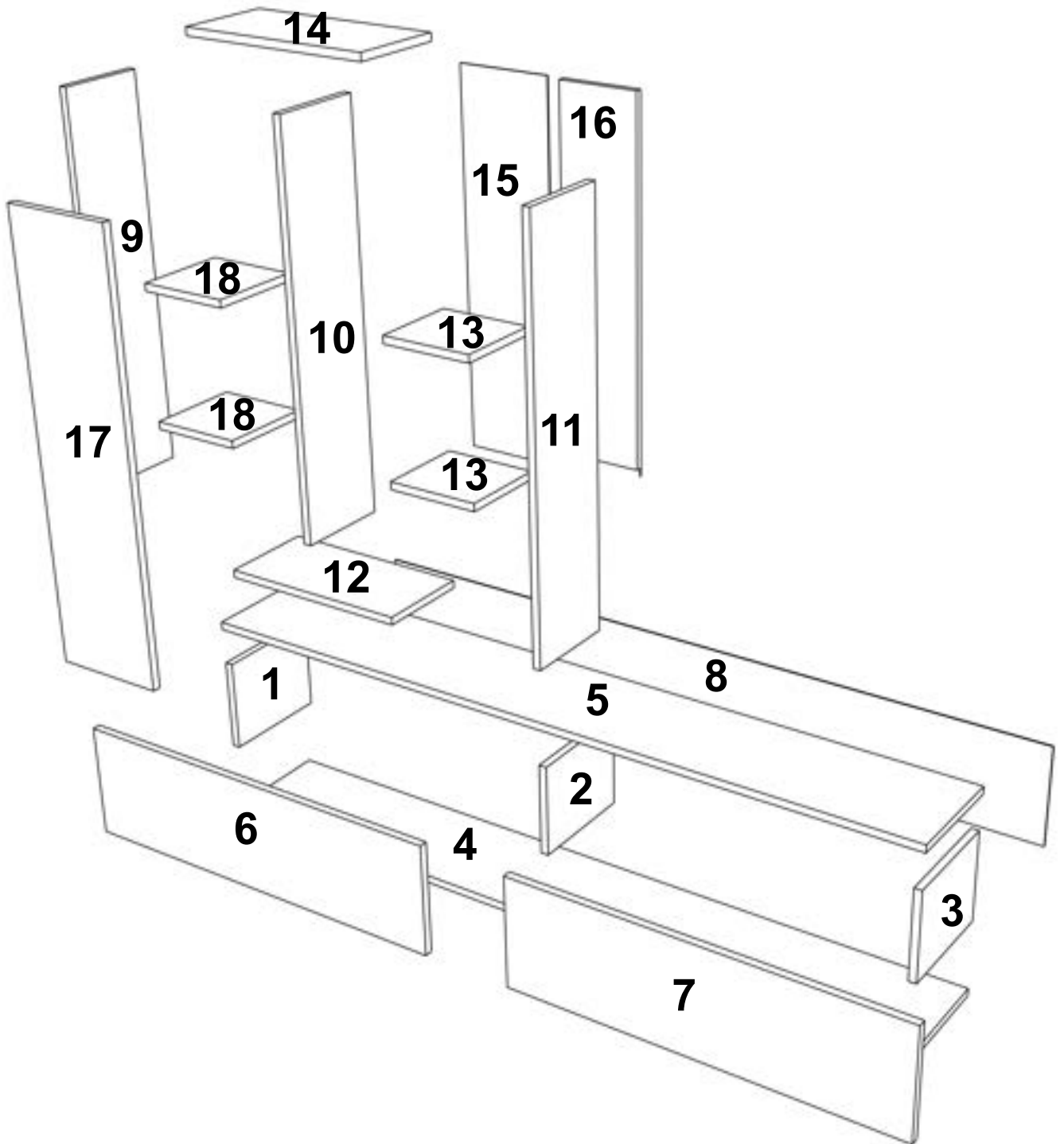
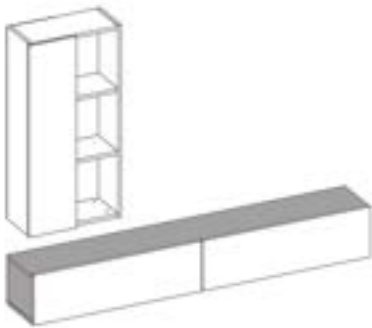


**176-000102**



1  B0501 x25	1  B0502 x25	1  B0503 x30	1  B0504 x25	2  B0301 x50
2  B0507 x8	P  B1102 x2	2  B0318 x40	3  B0105 x6	3  B0101 x6
2  B0306 x8	2  B0317 x8	2  B1303 x8	2  B0509 x8	





B0502

B0503

B0504

B0501

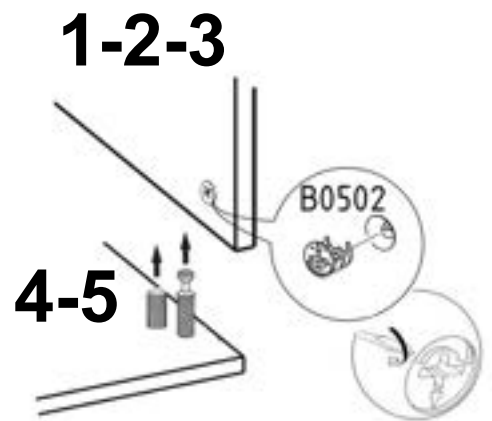
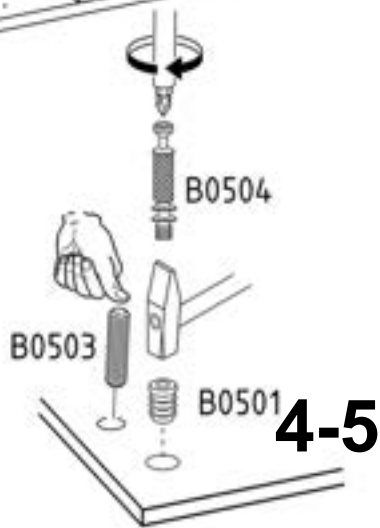
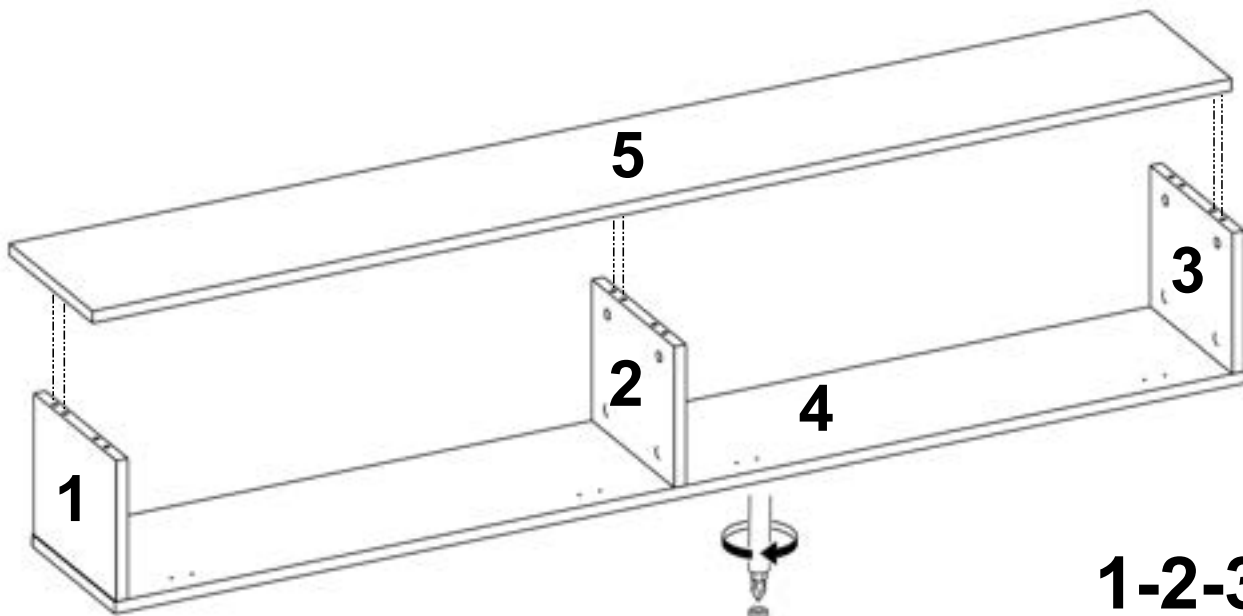
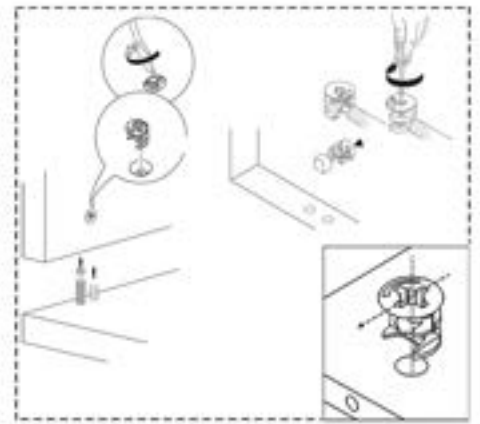
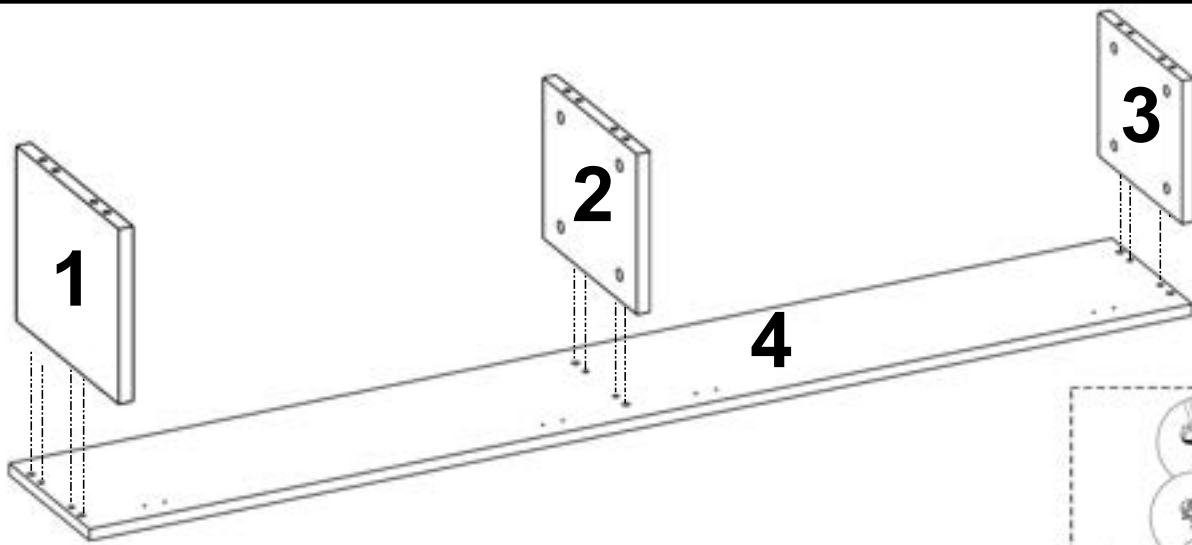


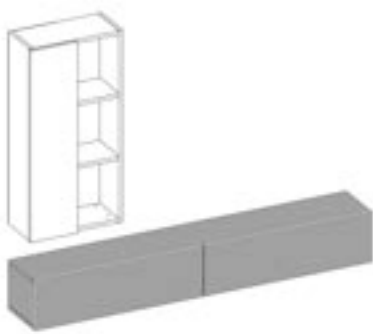
x12

x12

x12

x12





B0105



x4

B0301

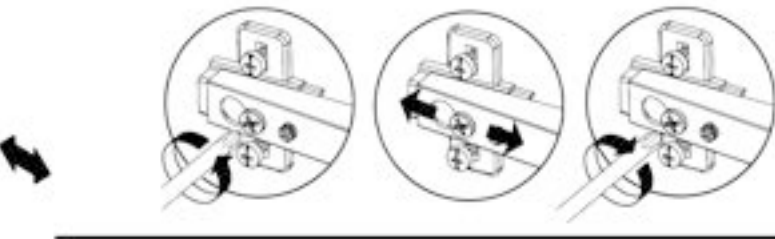
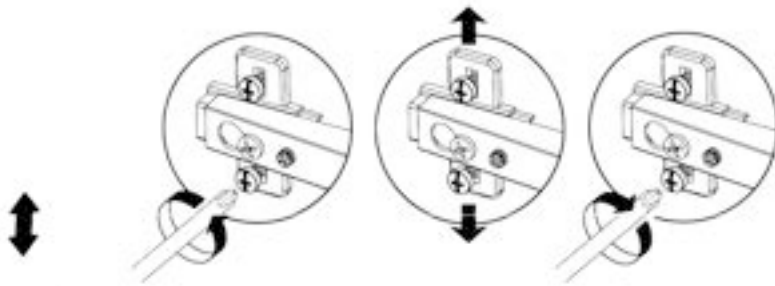
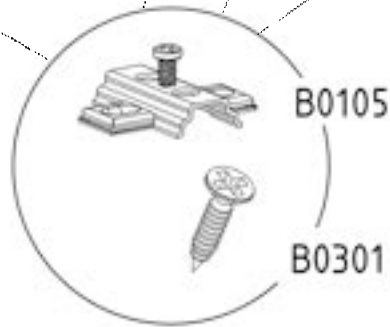
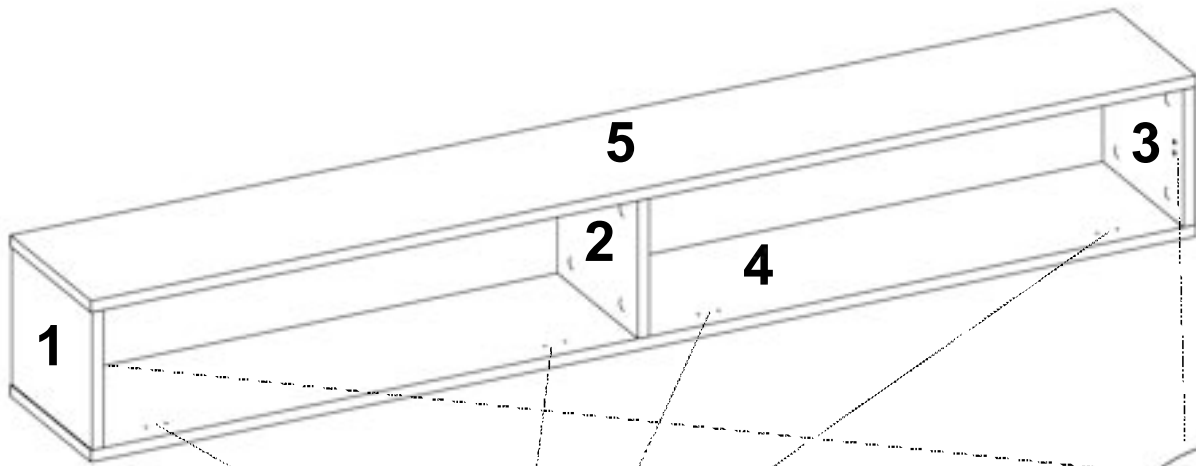


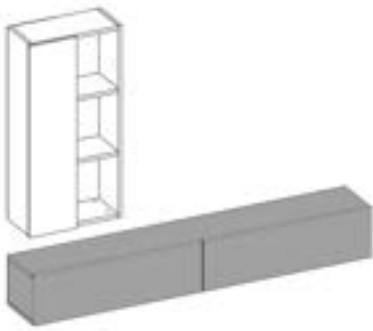
x12

B1102



x2





B0101



x4

B0301



x12

B0318

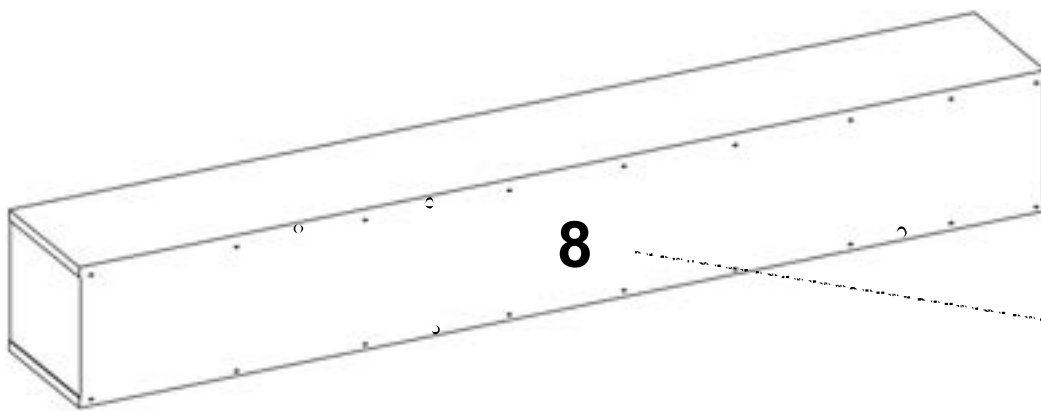
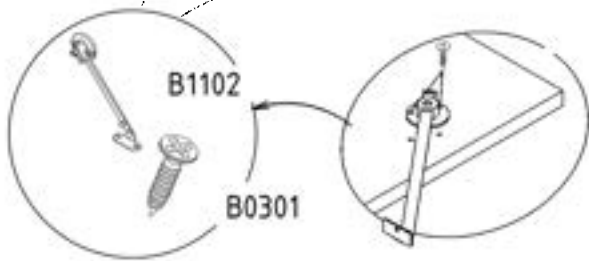
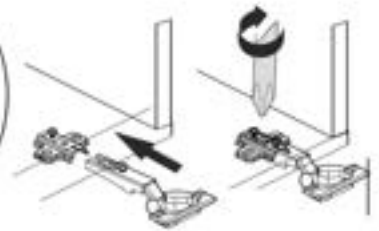
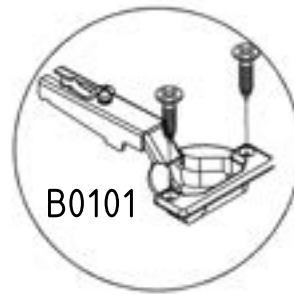
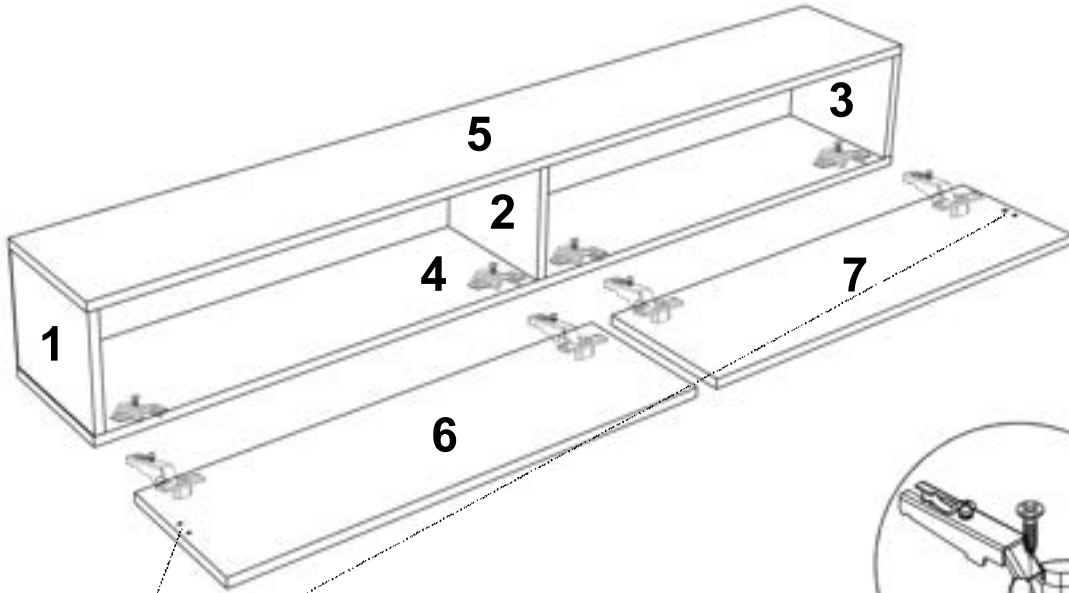


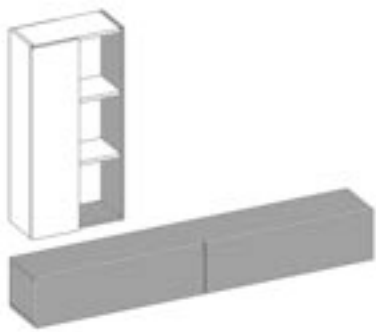
x25

B1102



x2





B0502



x2

B0503



x2

B0504

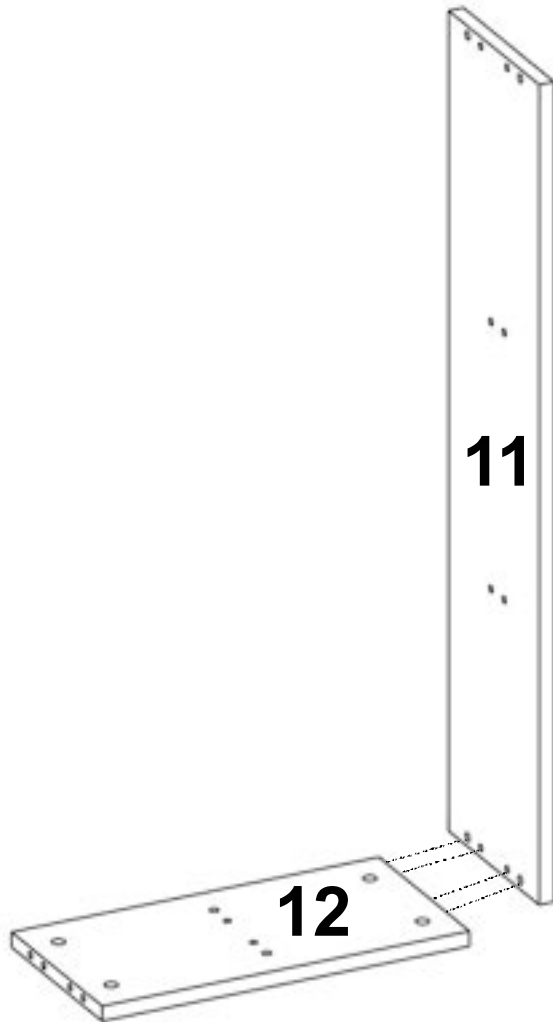


x2

B0501

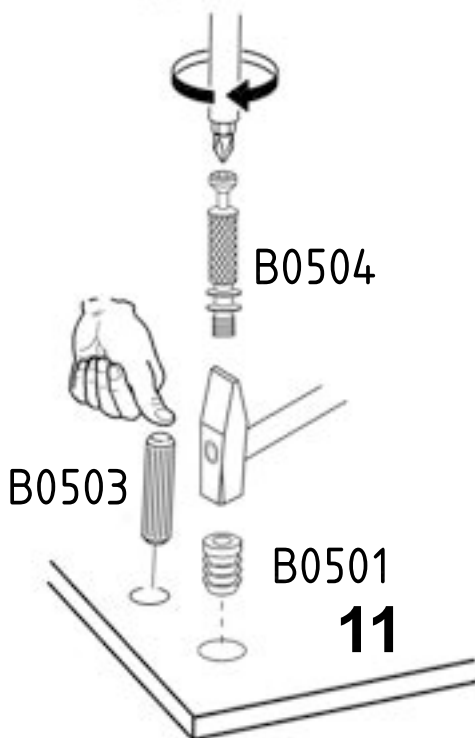
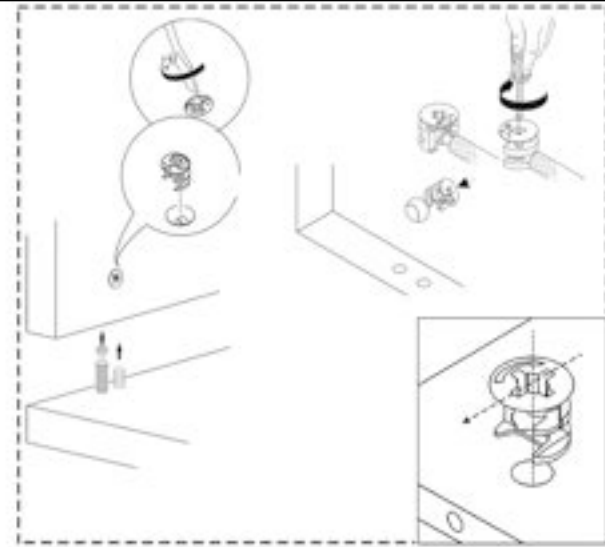


x2



11

12

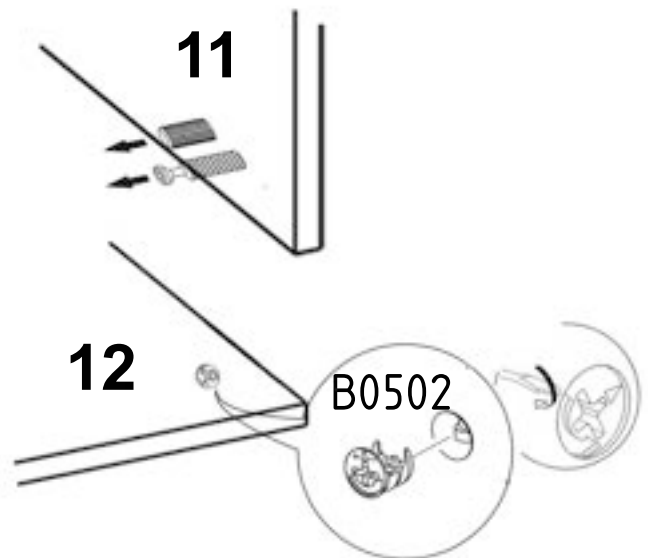


B0504

B0503

B0501

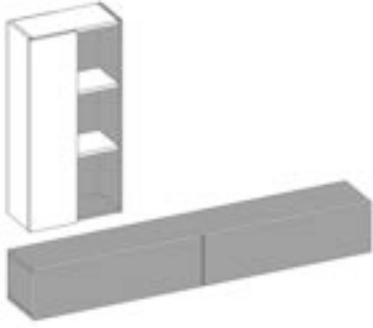
11



11

12

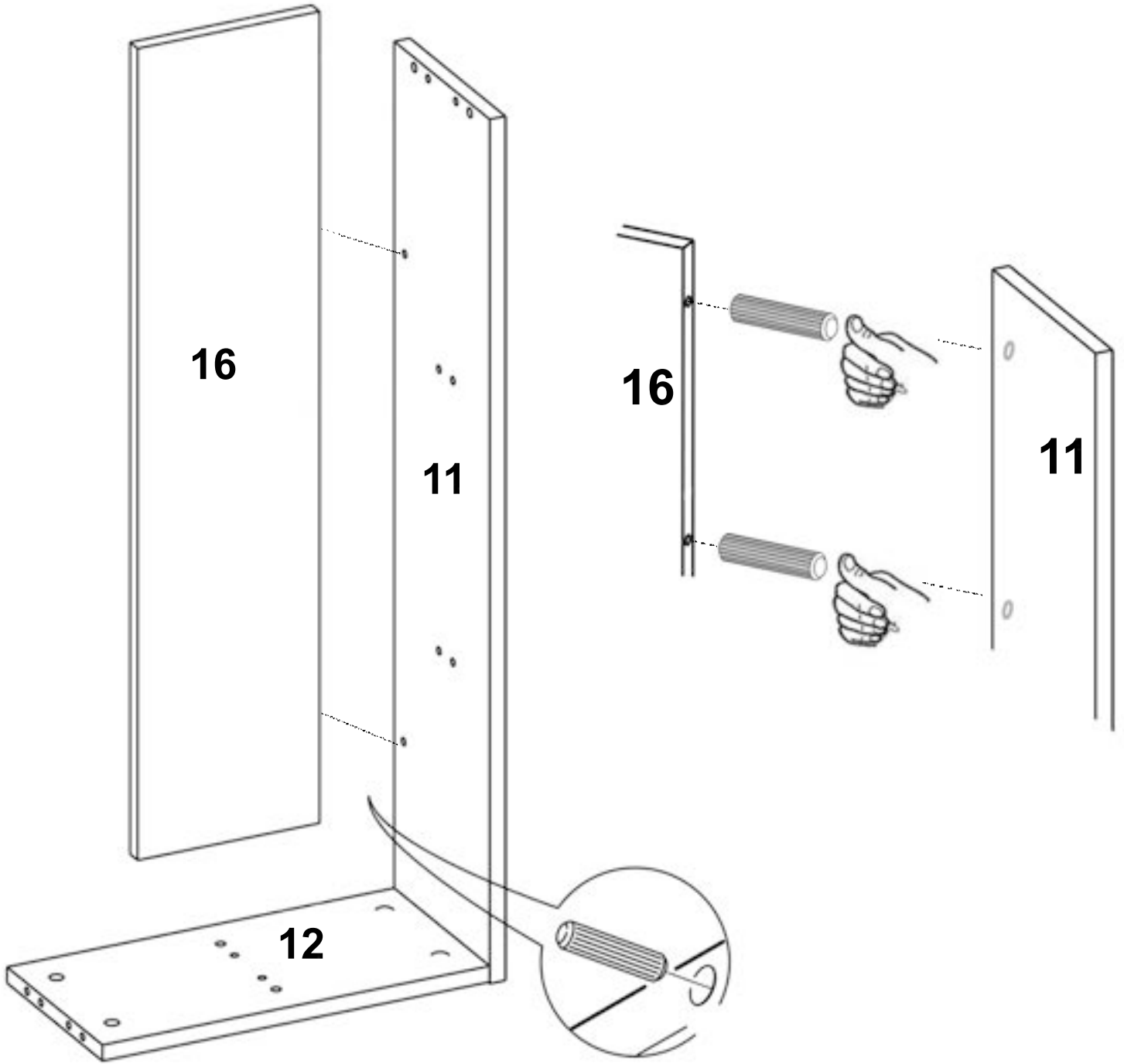
B0502

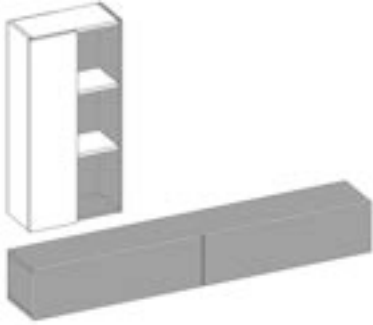


B0503



x2





B0502



x2

B0503



x4

B0504

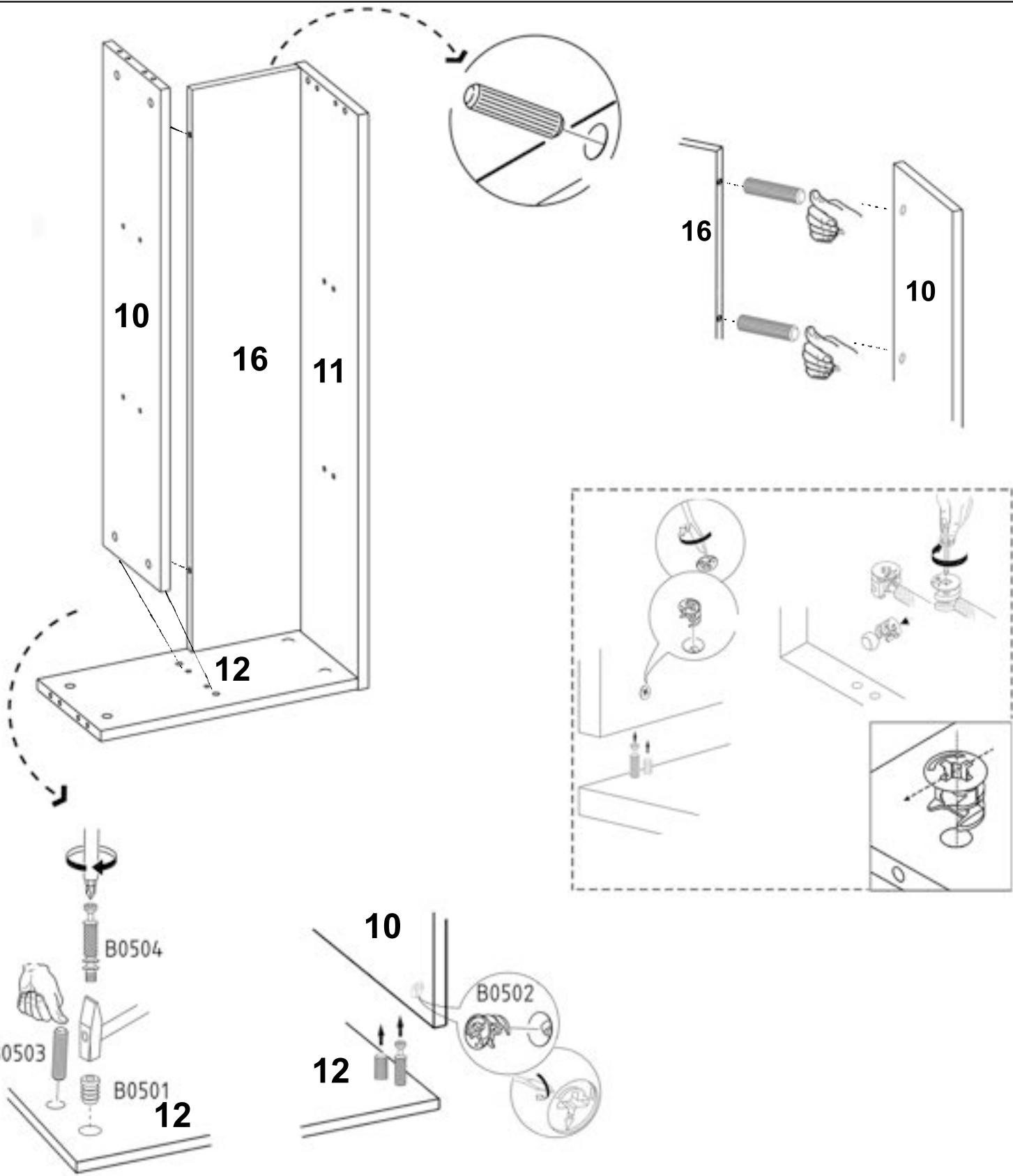


x2

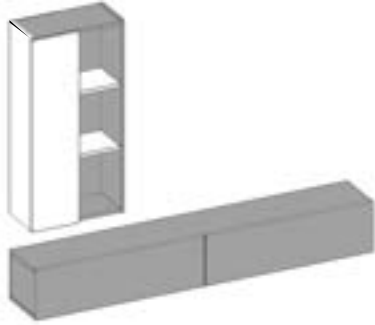
B0501



x2







B0502



x4

B0503



x4

B0504



x4

B0501



x4



14

14

10

B0502

16

11

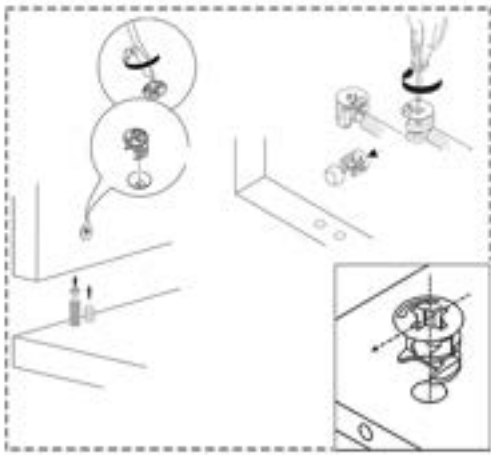
12

14

B0501

B0504

B0503



B0503

B0504

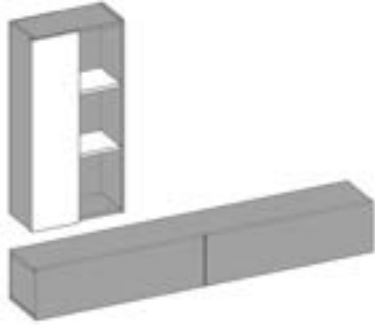
14

11

B0501

11

B0502



B0502



x4

B0503



x4

B0504

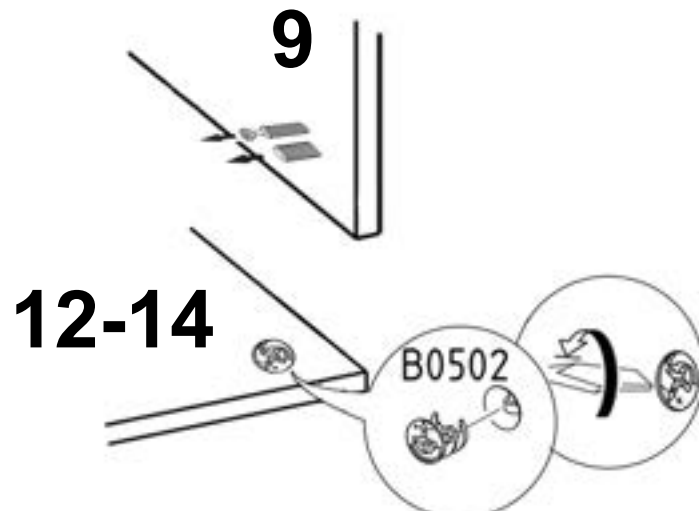
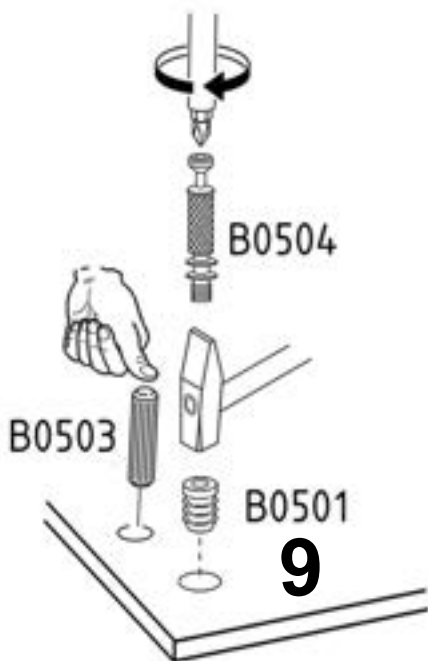
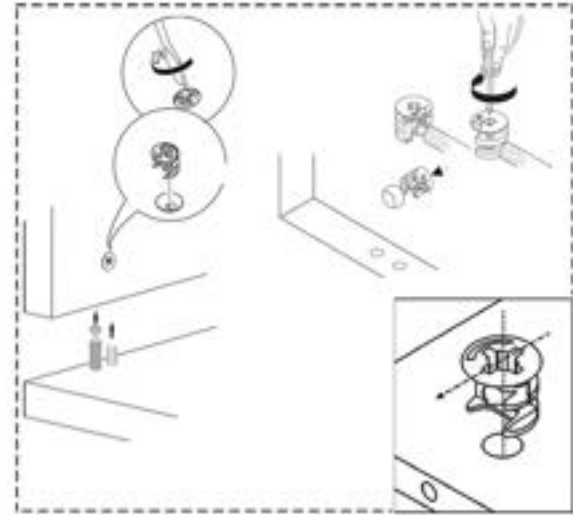
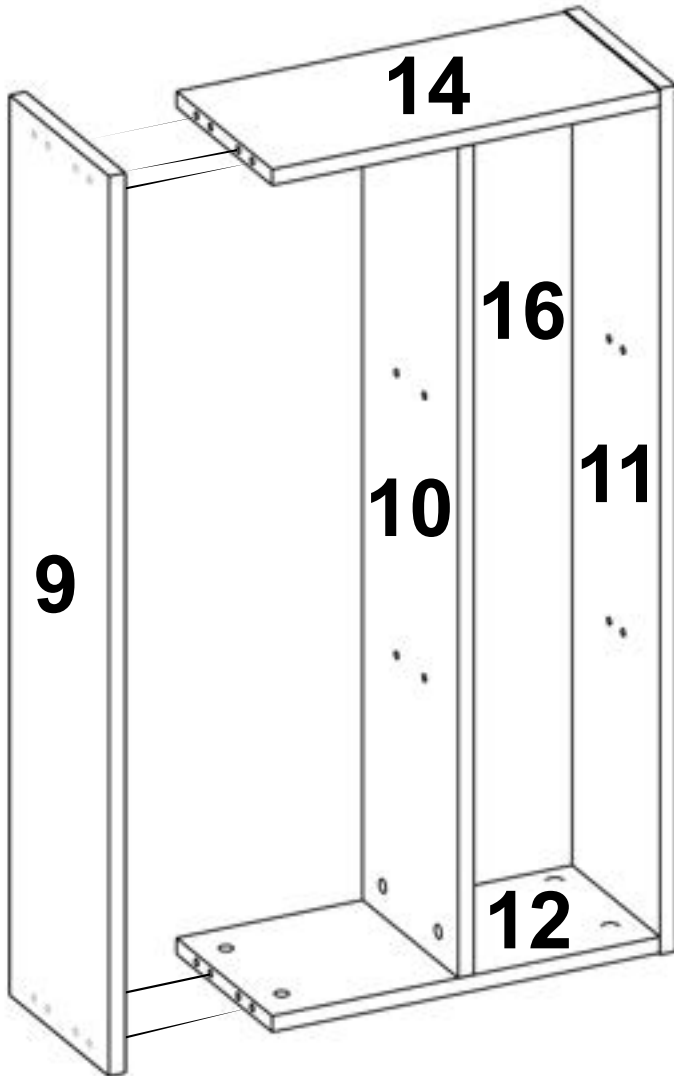


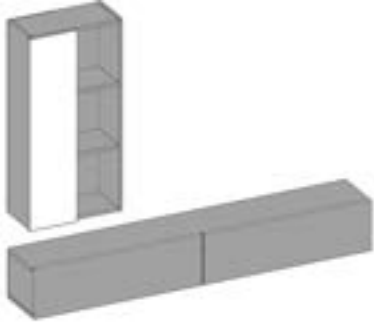
x4

B0501



x4





B0507

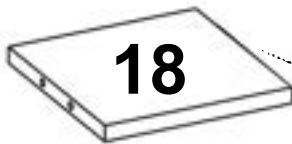
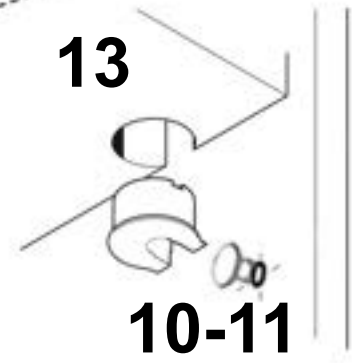
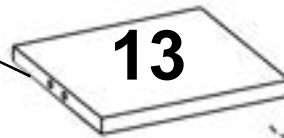
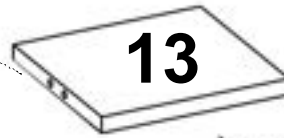
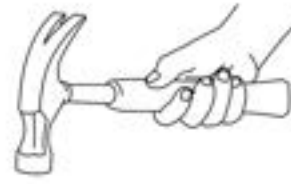
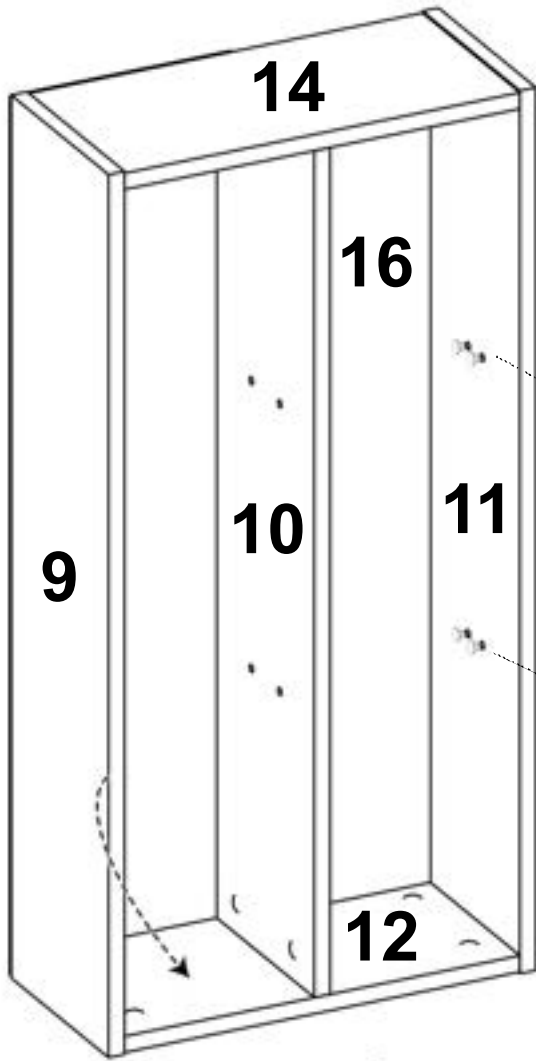
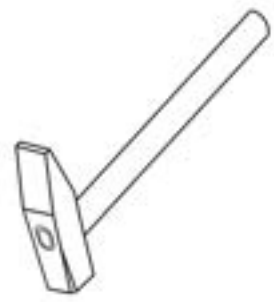


x8

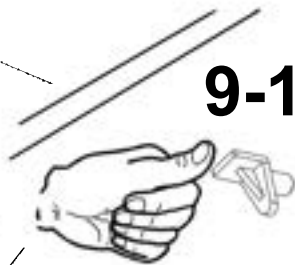
B0509

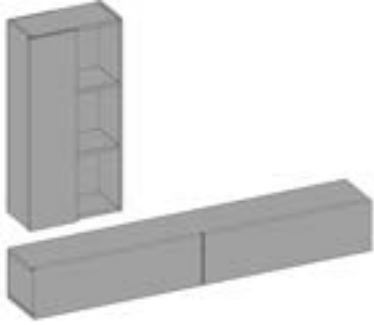


x8



9-10





B0101



x2

B0105

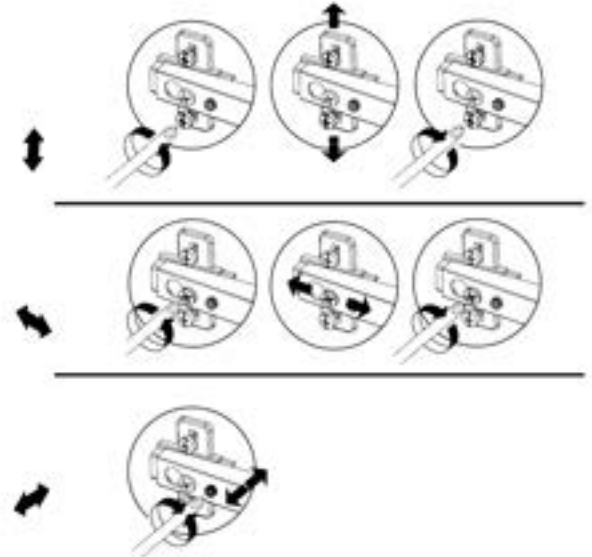
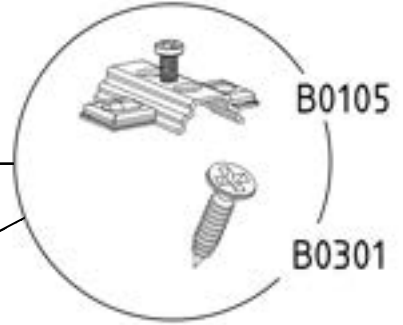
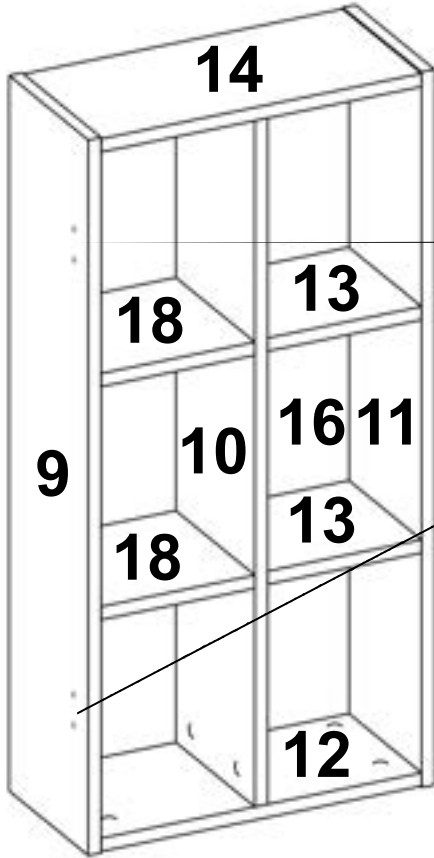


x2

B0301



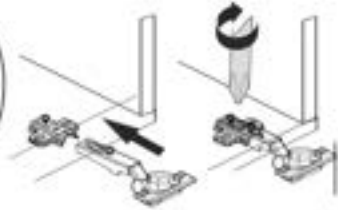
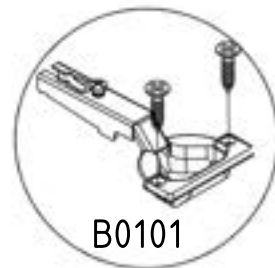
x8

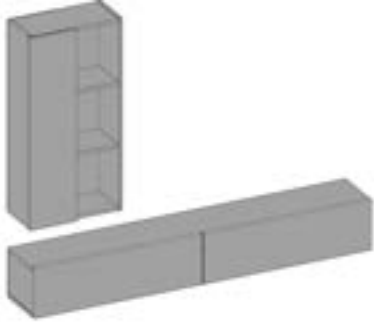


B0101



B0301





B0318 B0306 B0317 B1303 B0301  
x15 x8 x8 x8 x16

