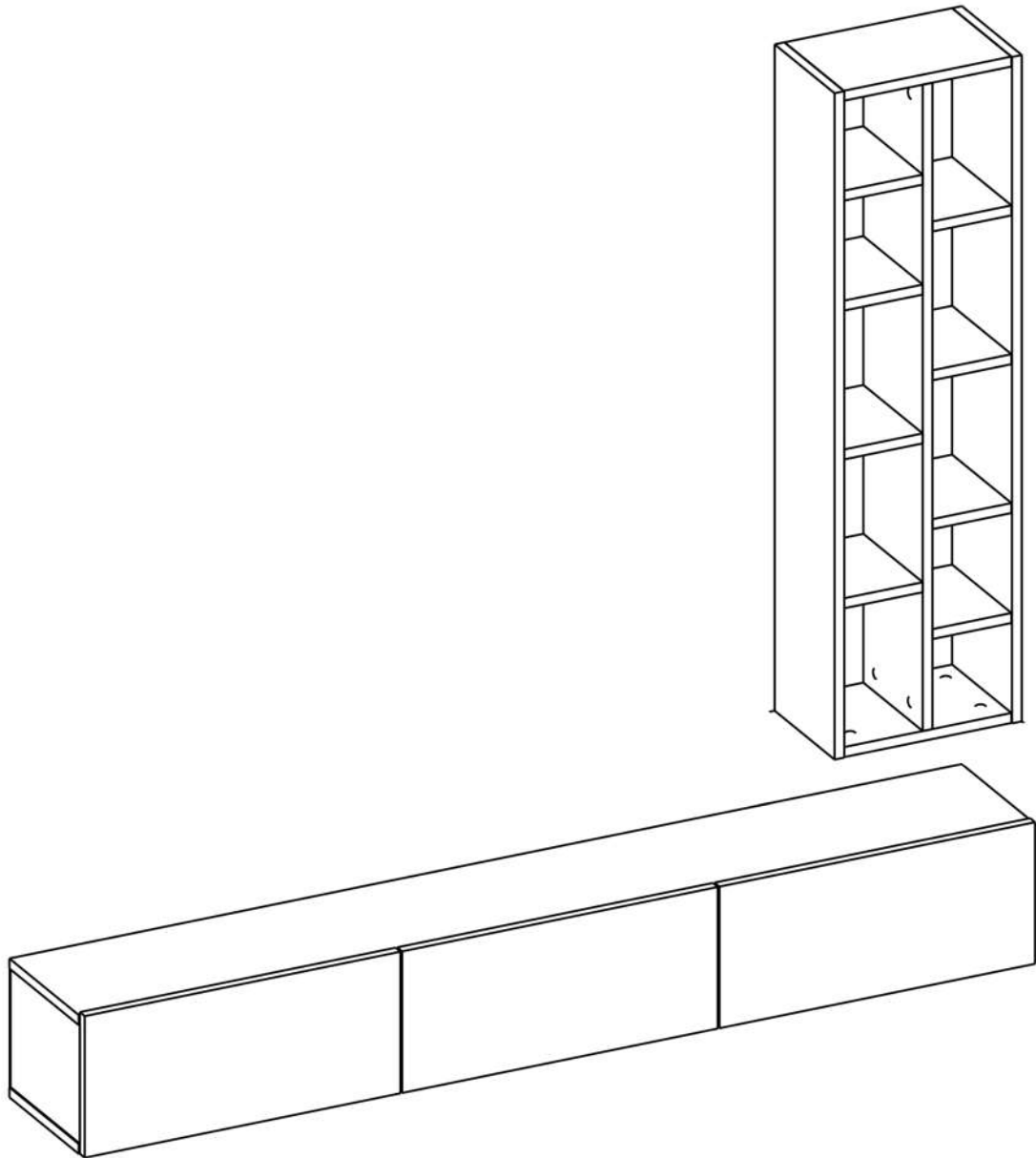
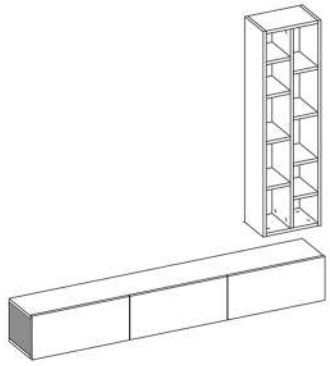


176-000100







B0502



x8

B0503



x8

B0504

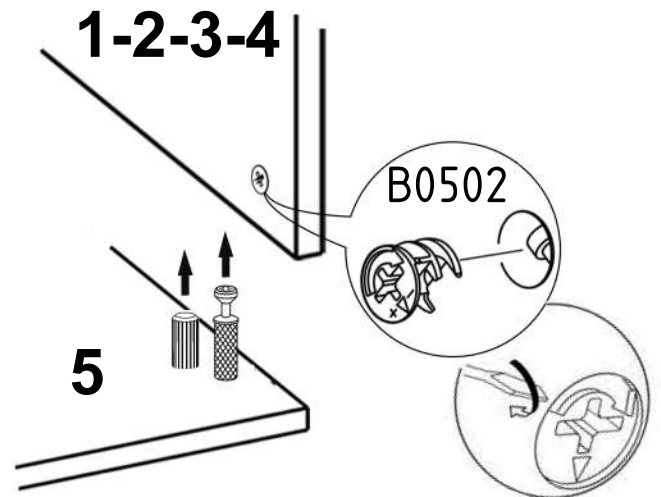
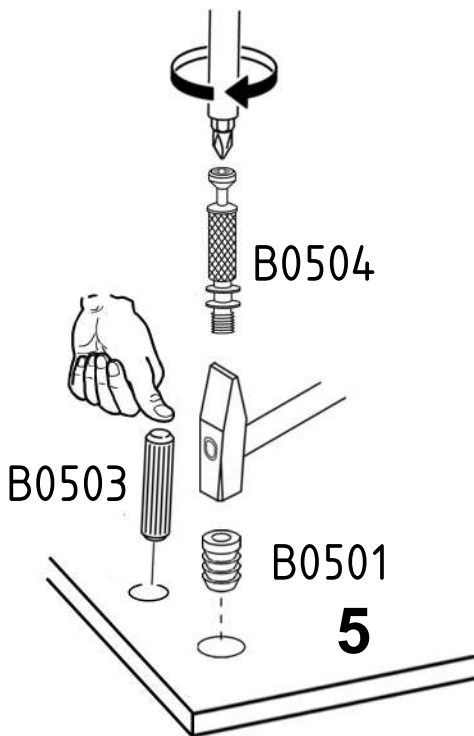
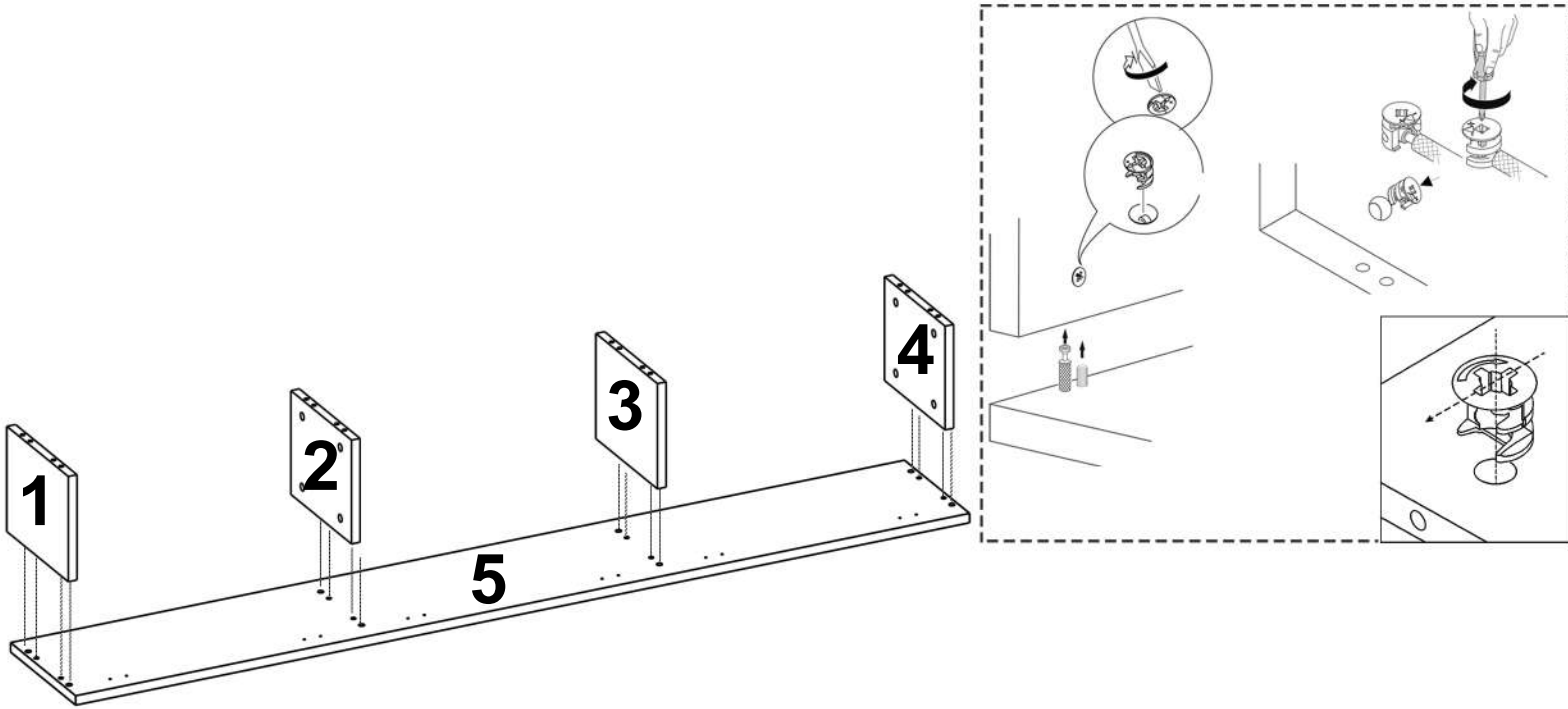
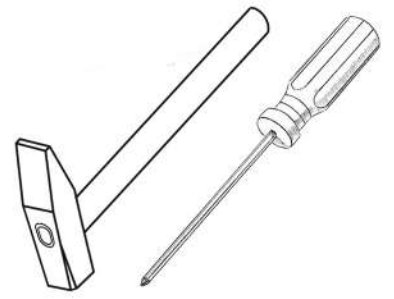


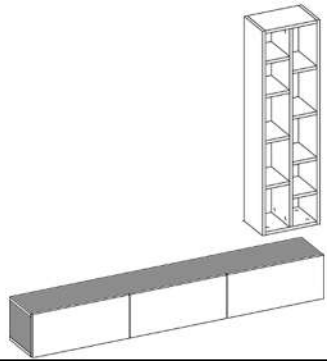
x8

B0501



x8





B0502



x8

B0503



x8

B0504

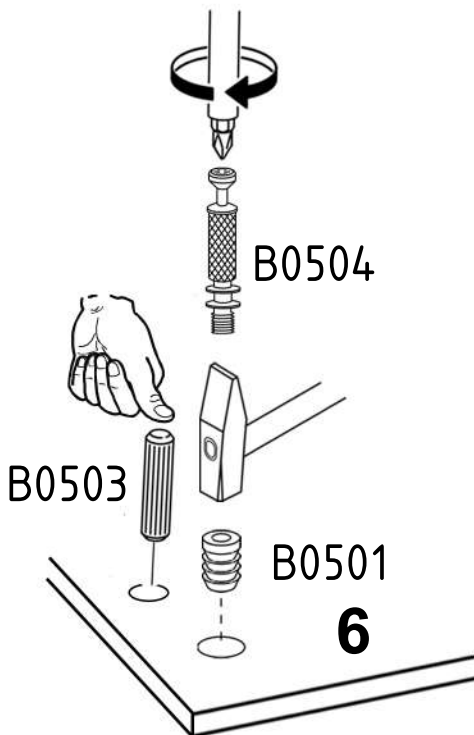
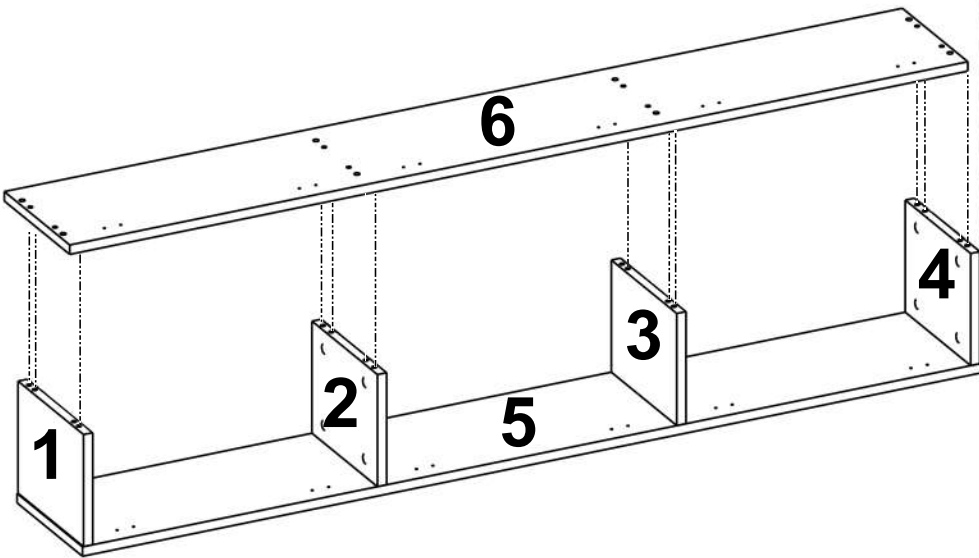
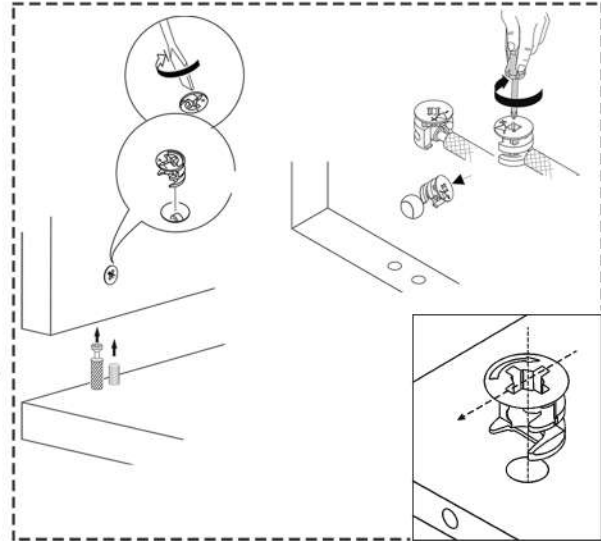
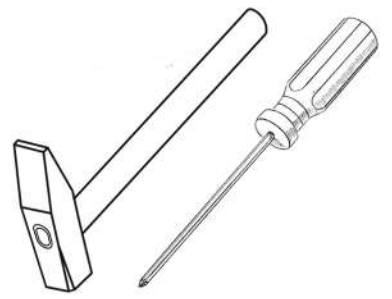


x8

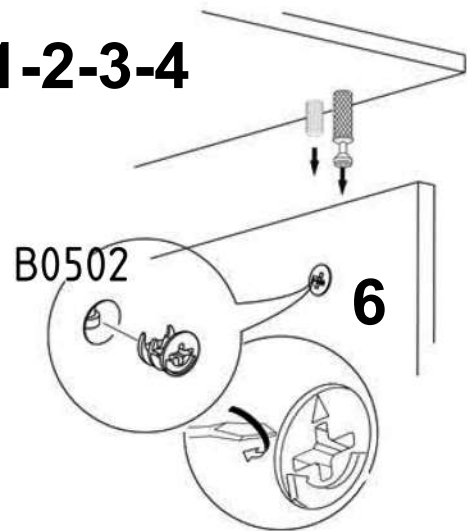
B0501

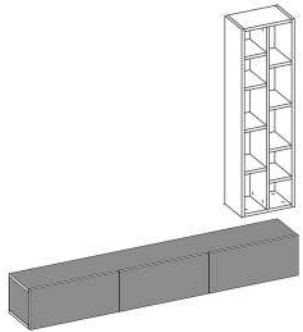


x8



1-2-3-4





B0105



x6

B0301

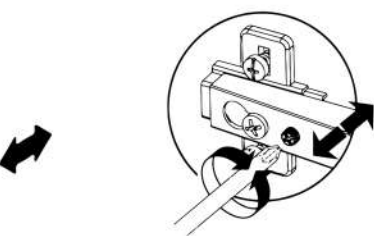
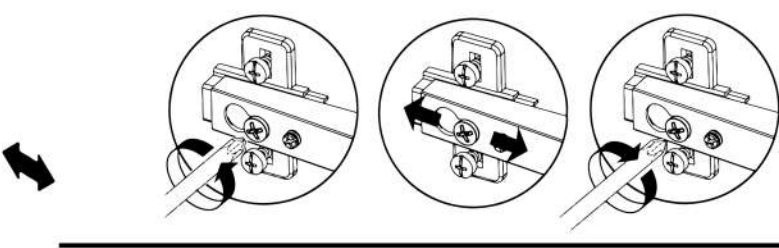
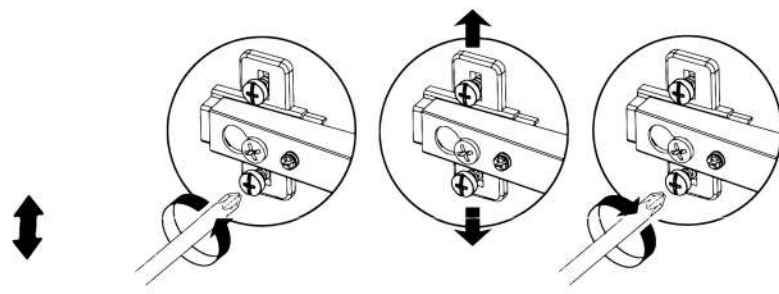
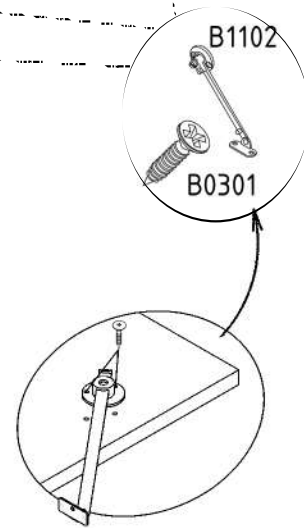
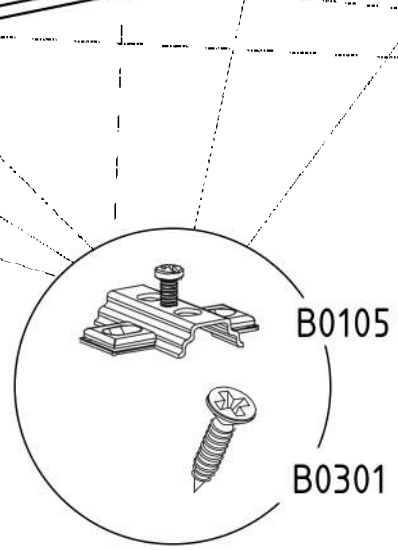
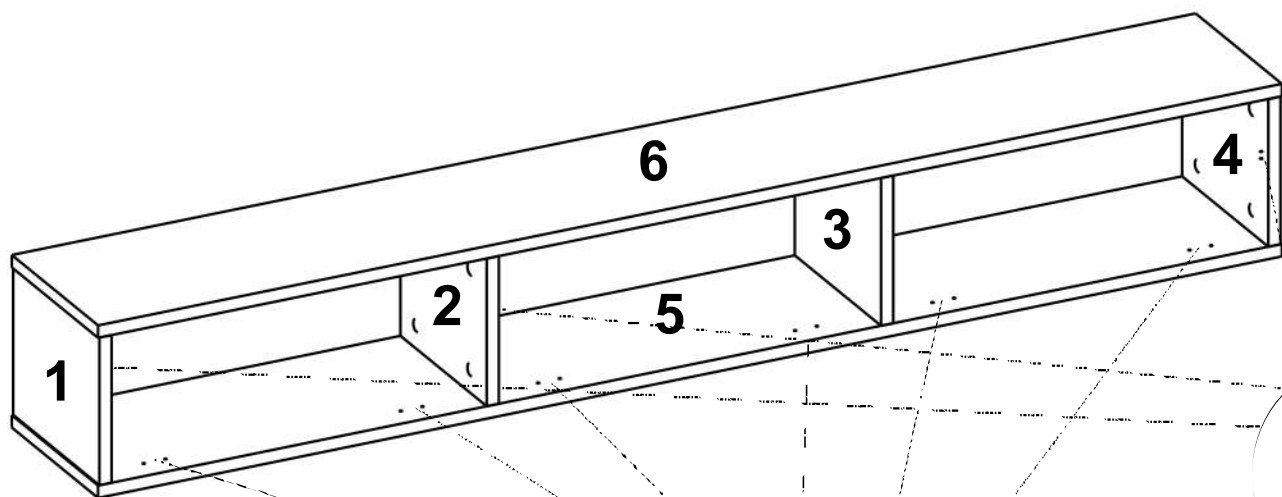


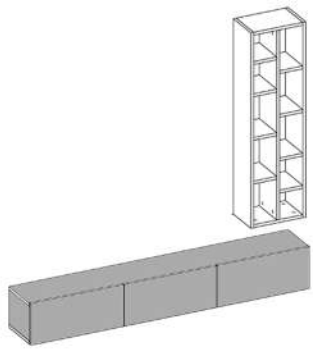
x18

B1102



x3





B0101



x6

B0301



x18

B0318

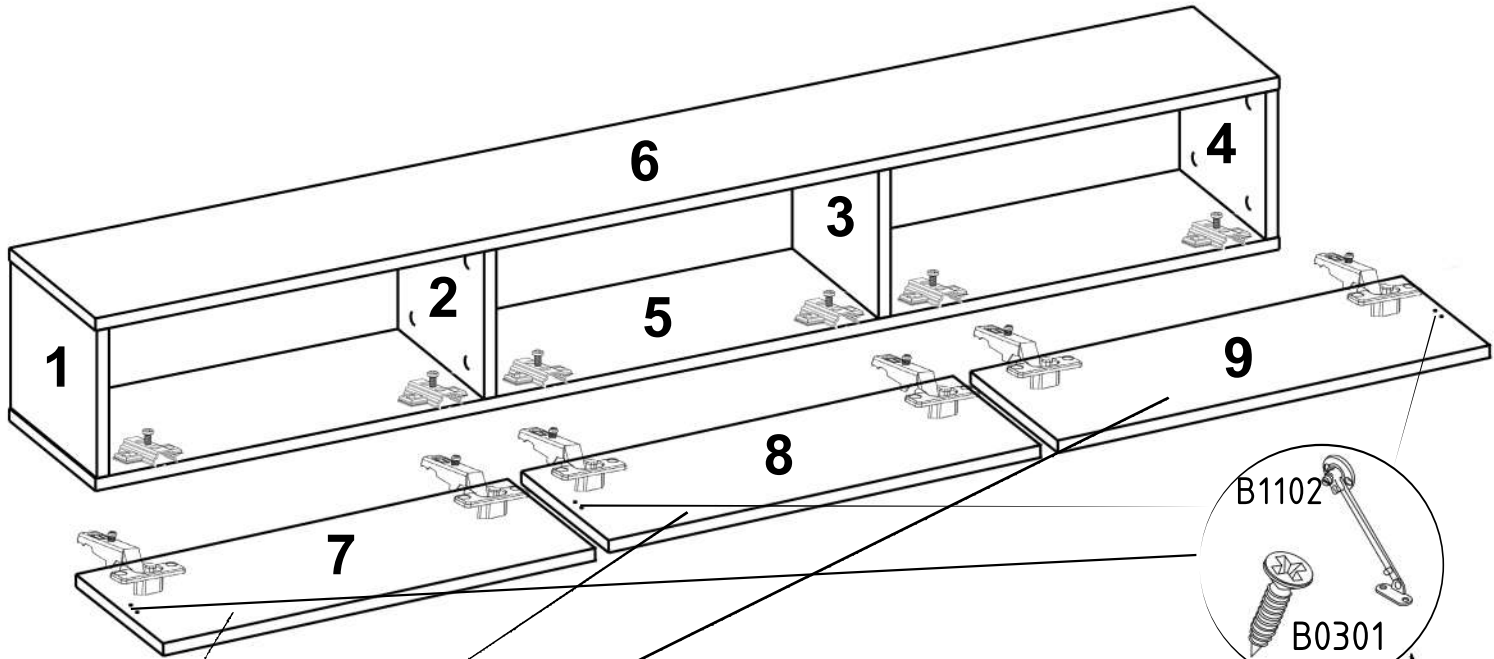
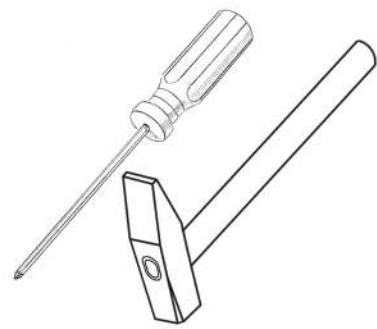


x30

B1102



x3



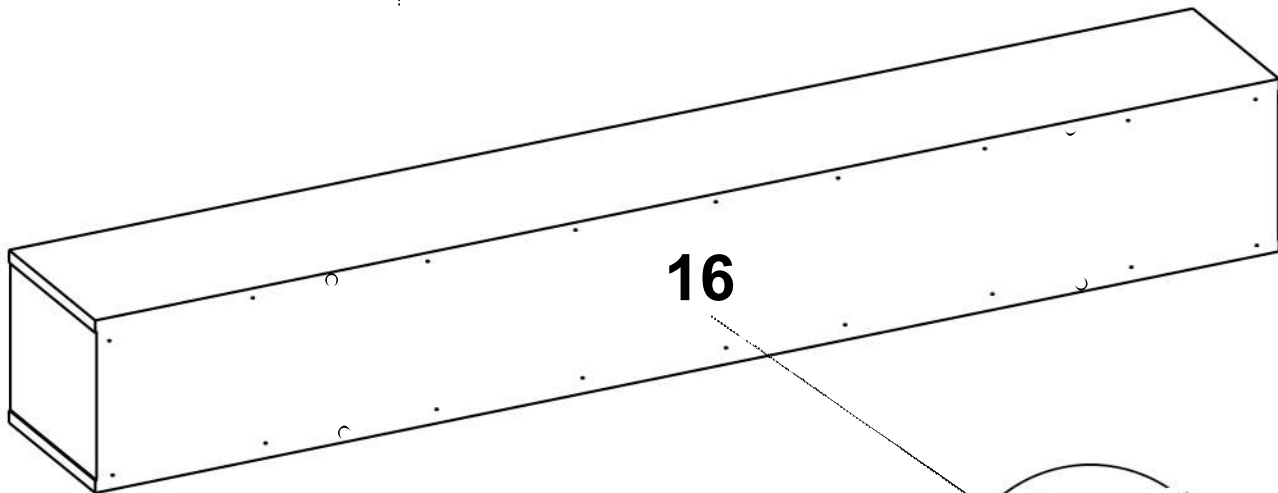
B1102

B0301

B0101

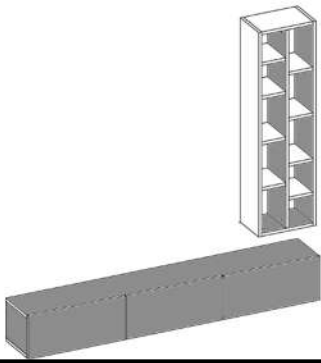
B0301

B0101



16

B0318



B0502



x4

B0503



x4

B0504

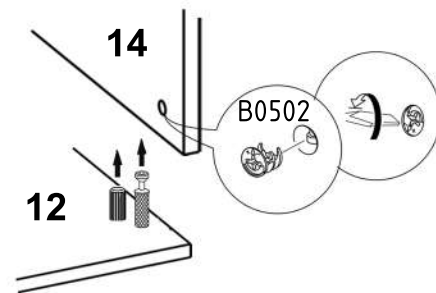
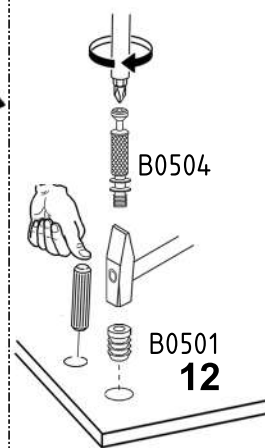
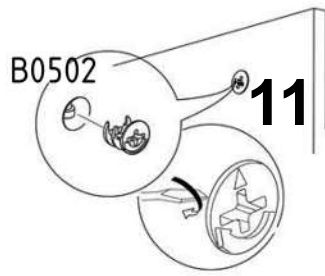
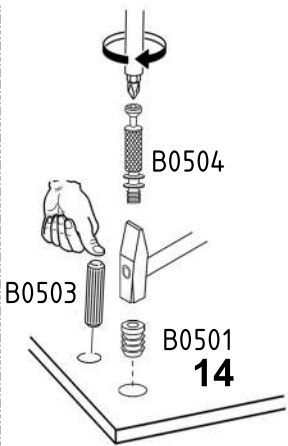
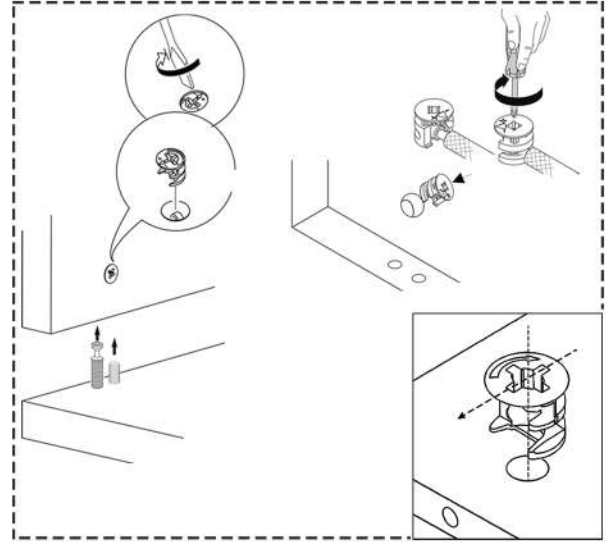
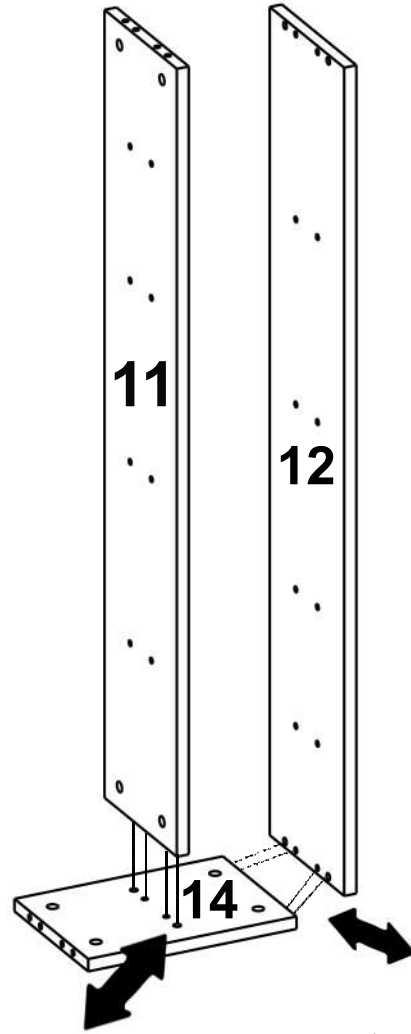
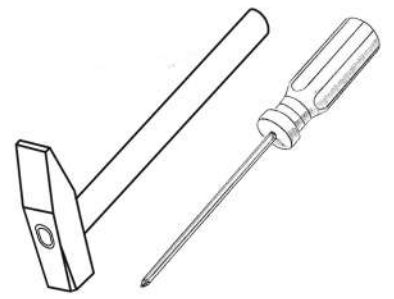


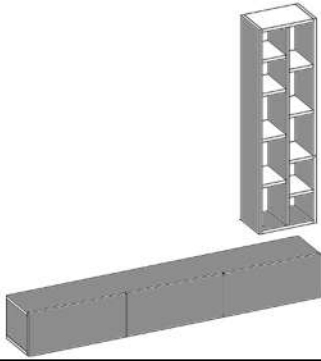
x4

B0501



x4





B0502



x2

B0503



x2

B0504

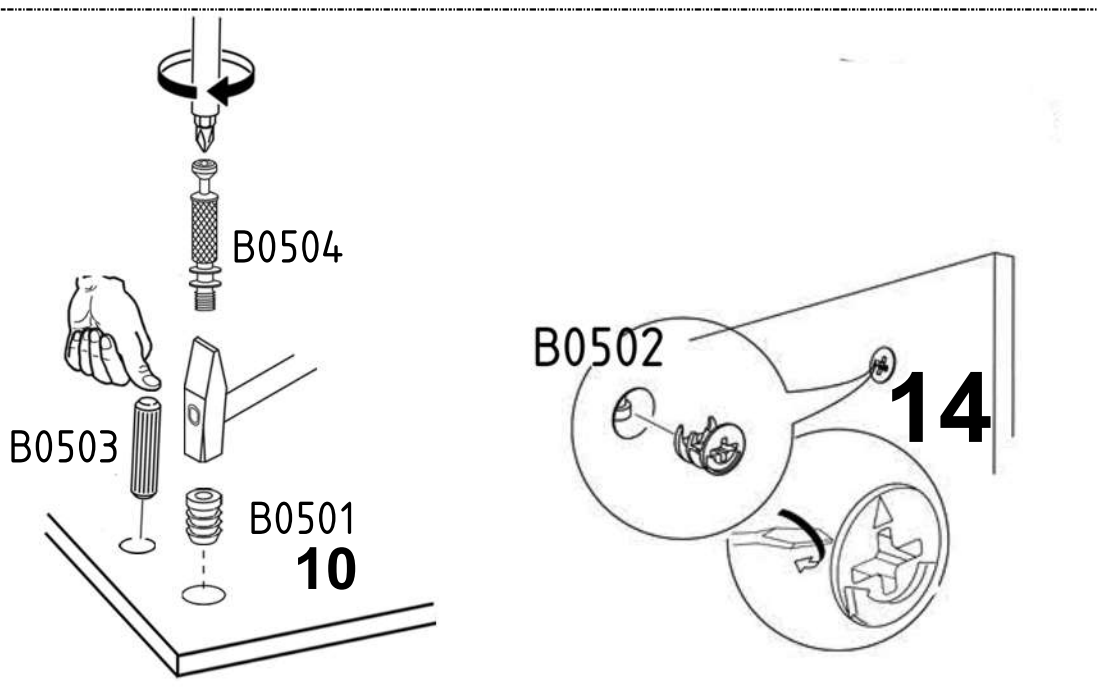
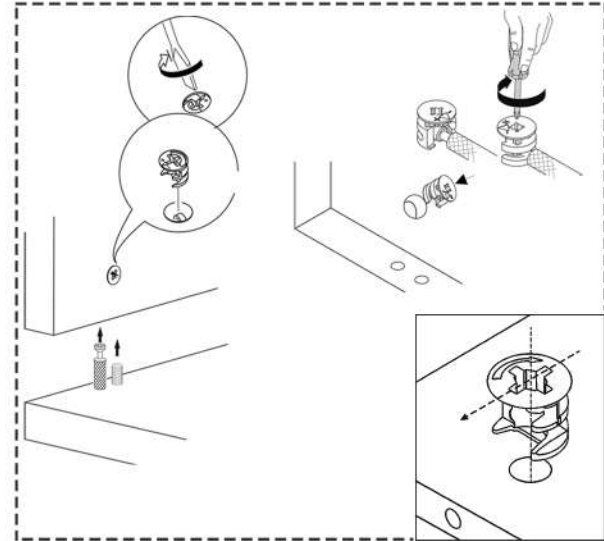
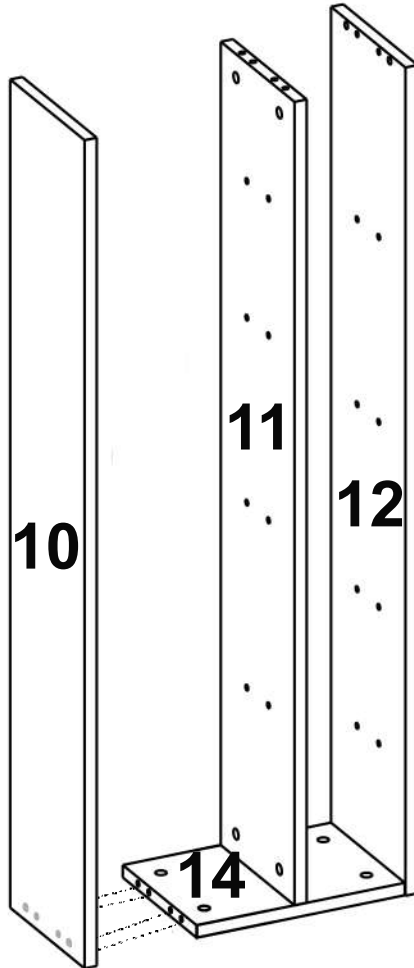
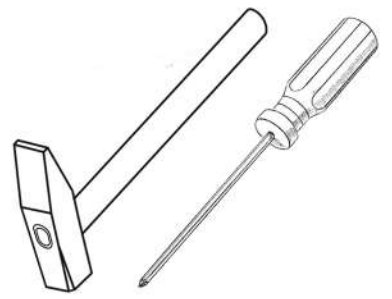


x2

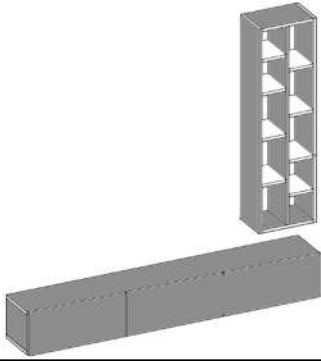
B0501



x2







B0502



x6

B0503



x6

B0504

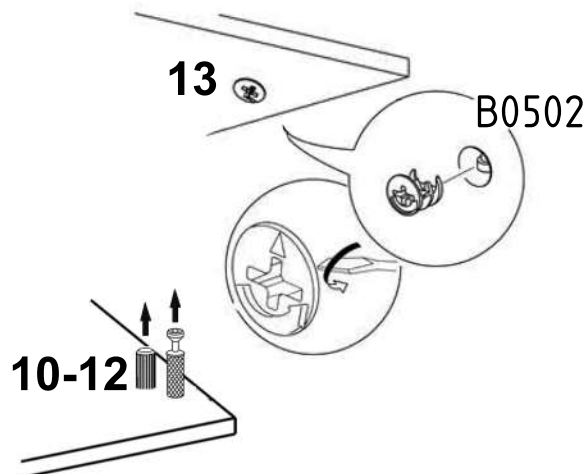
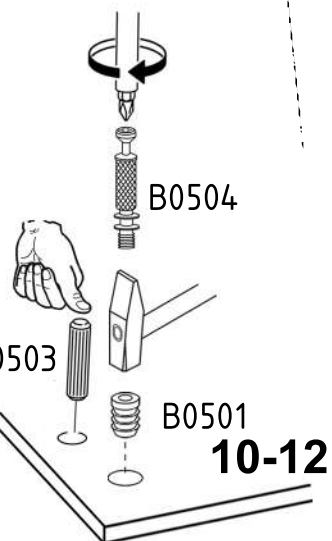
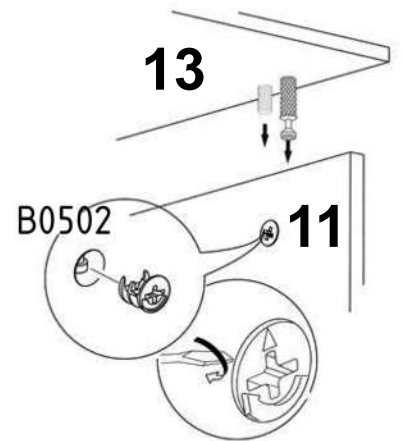
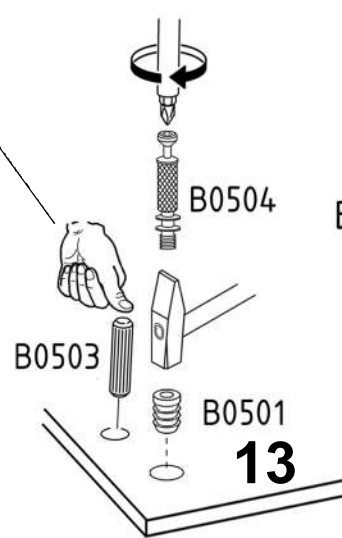
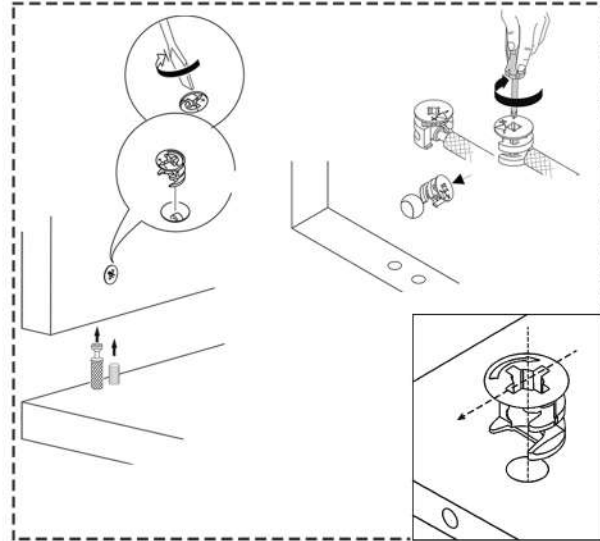
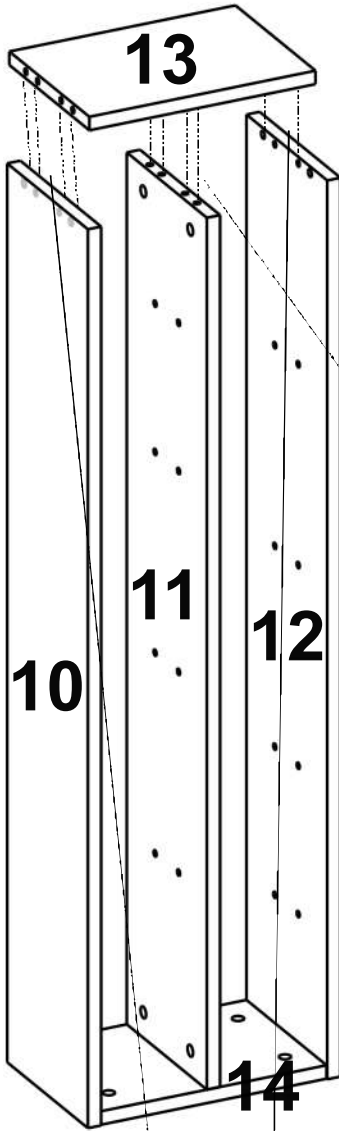
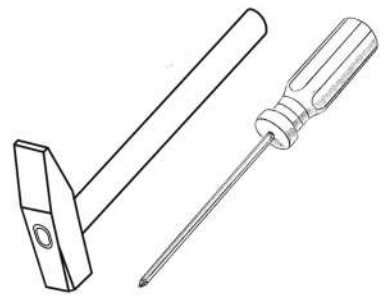


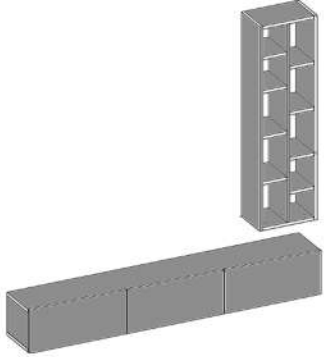
x6

B0501



x6

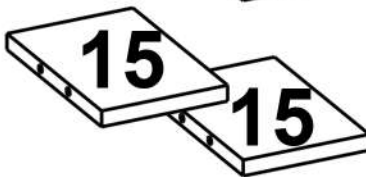
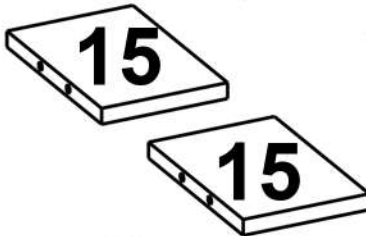
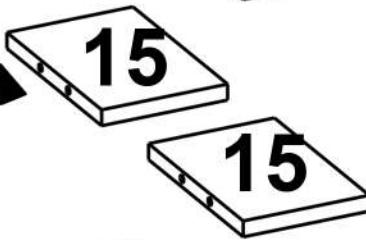
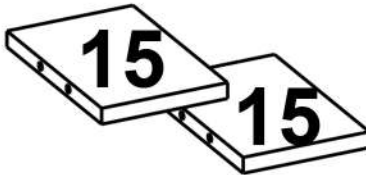
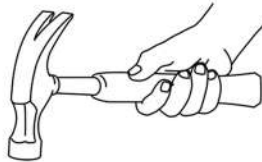
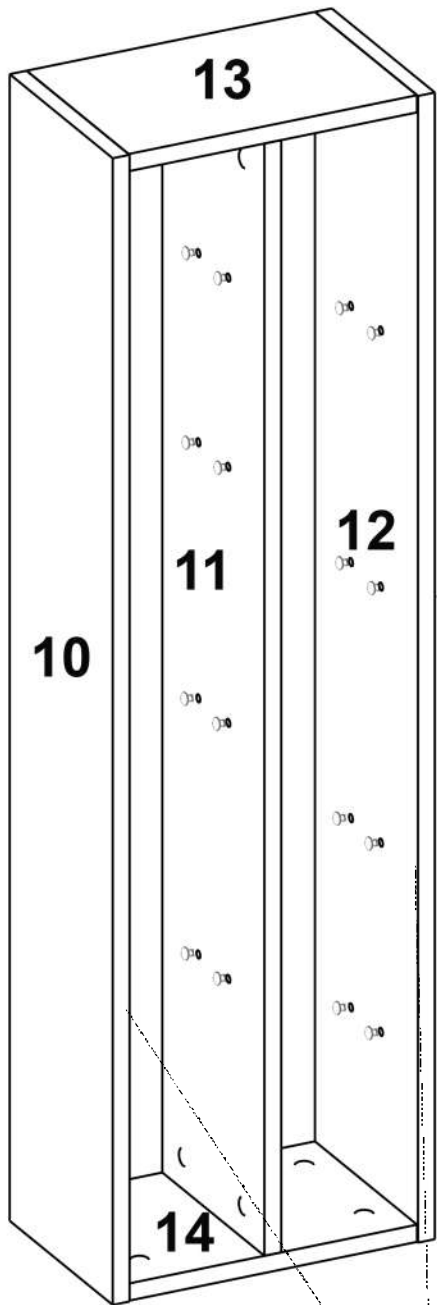
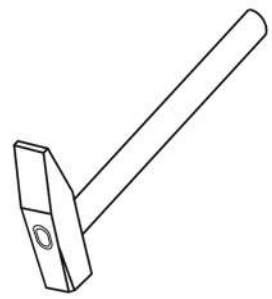




B0507



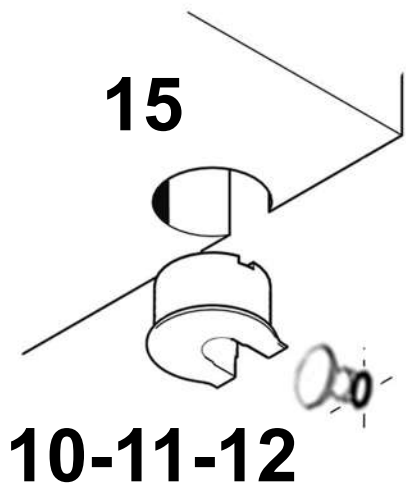
x32



B0507

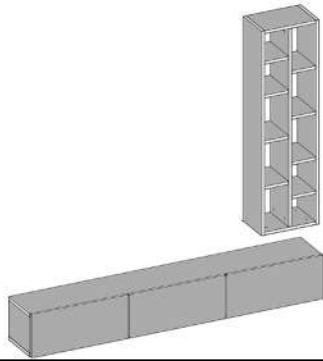


B0507



15

10-11-12

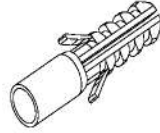


B0306



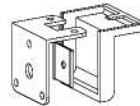
x8

B0317



x8

B1303



x8

B0301



x16

