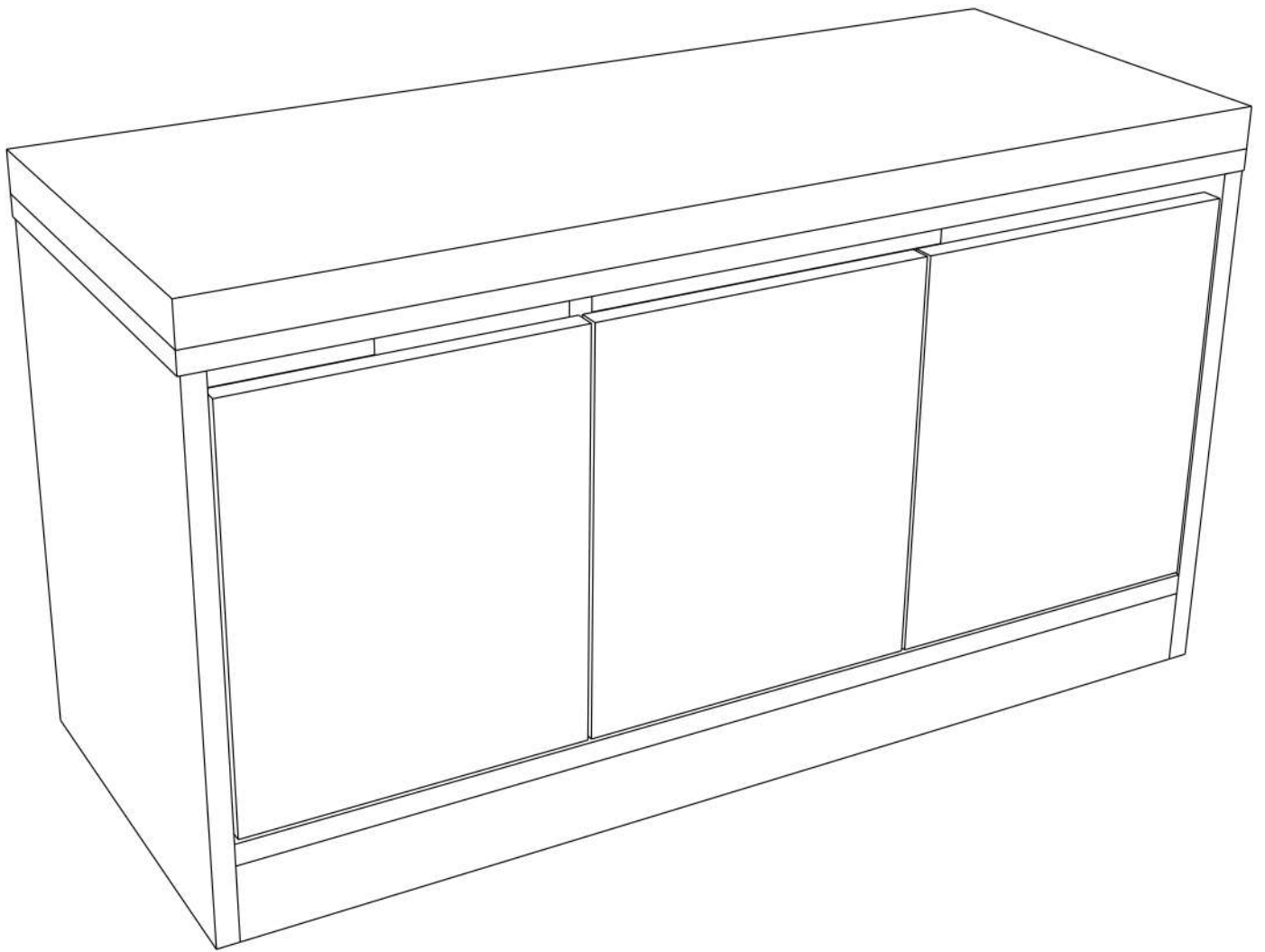




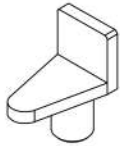






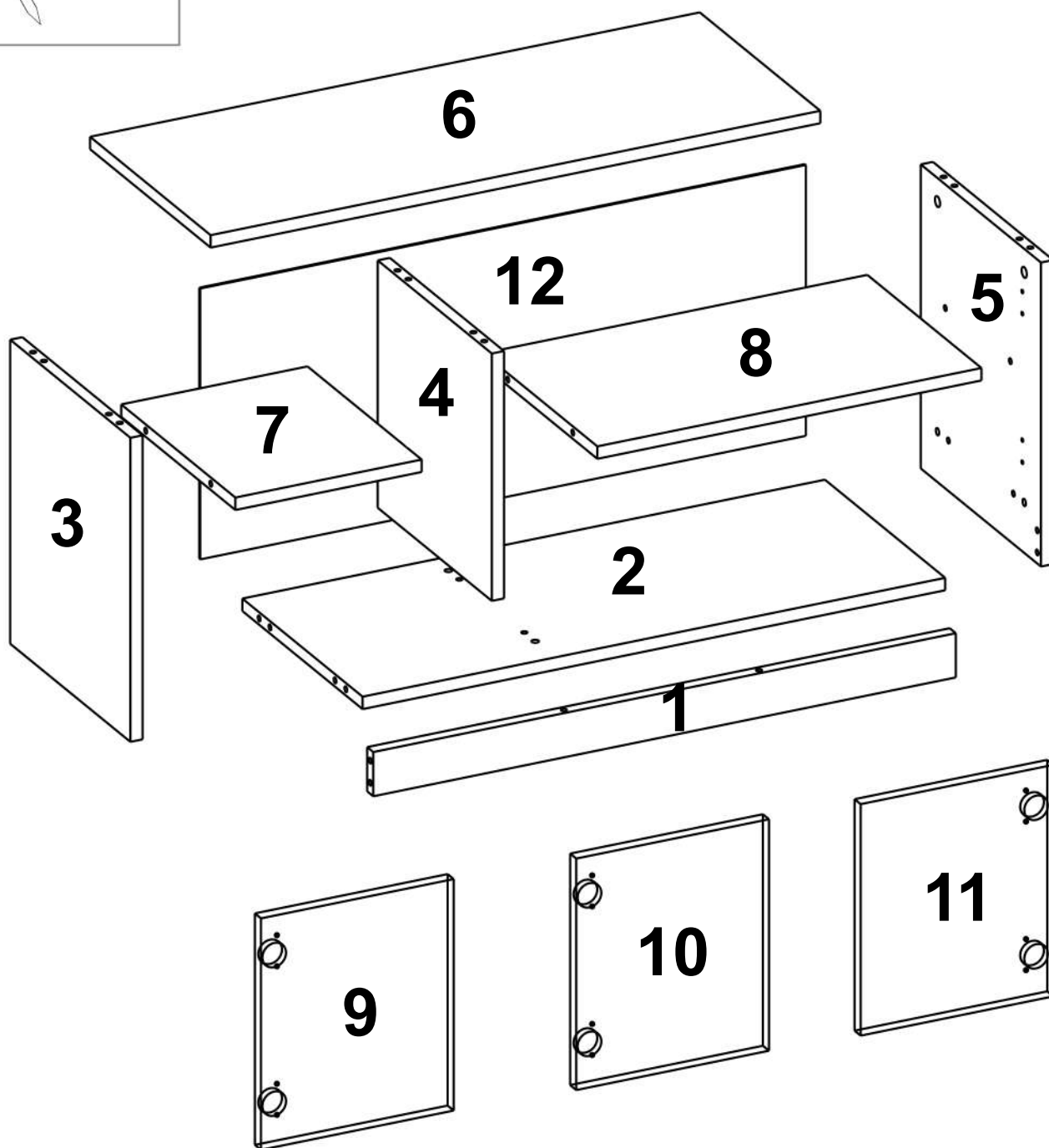
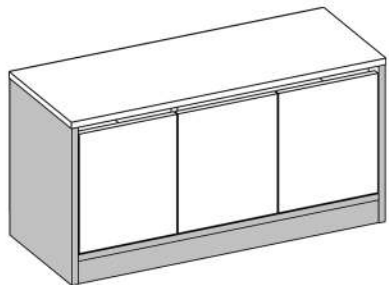


176-000099



| | | | | |
|--|---|---|--|--|
|  B0501 x12 |  B0502 x12 |  B0503 x18 |  B0504 x12 |  B0508 x8 |
|  B2302 x1 |  B0103 x4 |  B0102 x2 |  B0105 x6 |  B0301 x25 |
|  B0318 x18 | | | | |





B0502



x4

B0503



x10

B0504

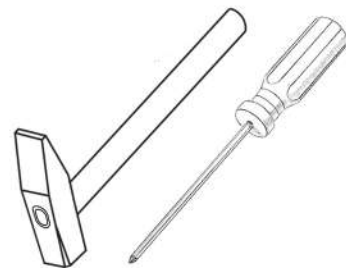


x4

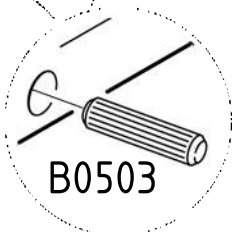
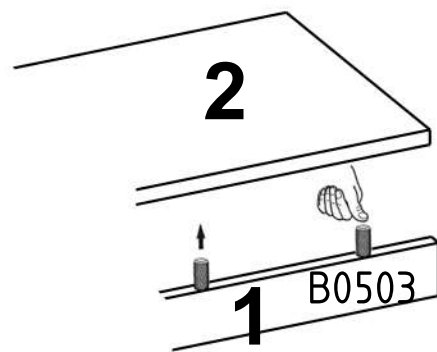
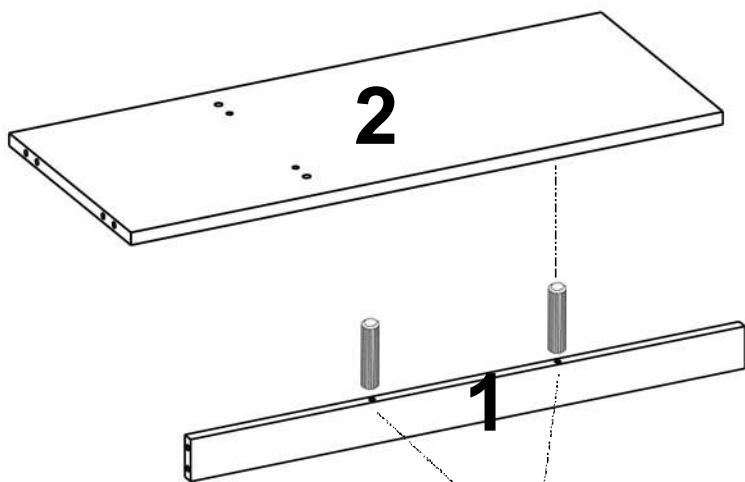
B0501



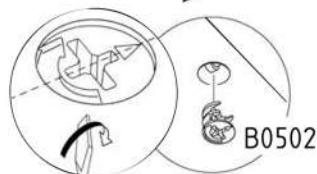
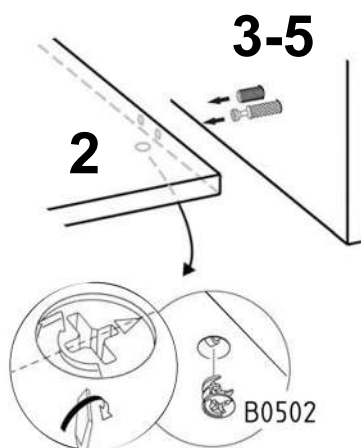
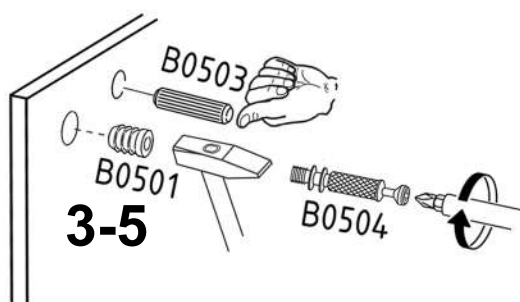
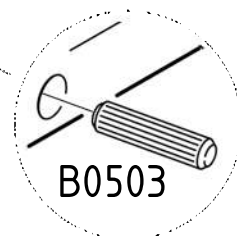
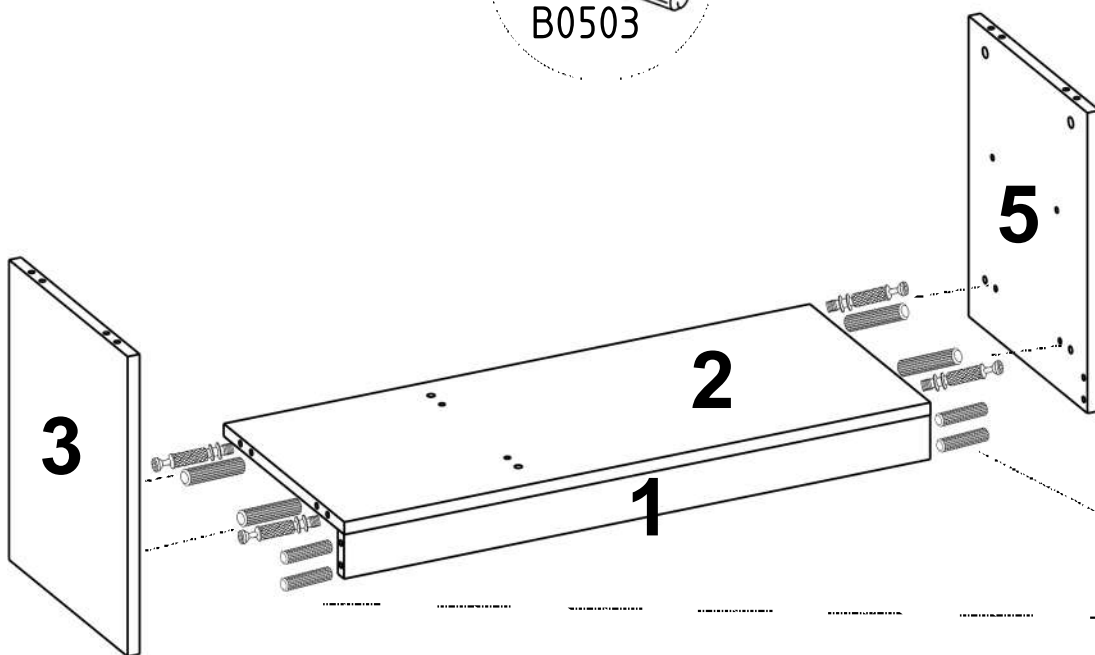
x4



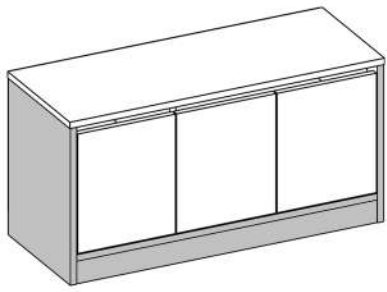
1



2



3



B0502



x2

B0503



x2

B0504



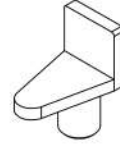
x2

B0501

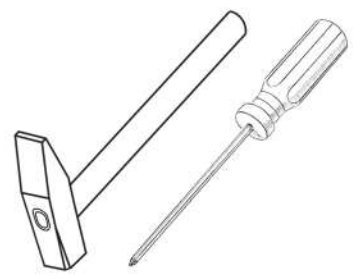


x2

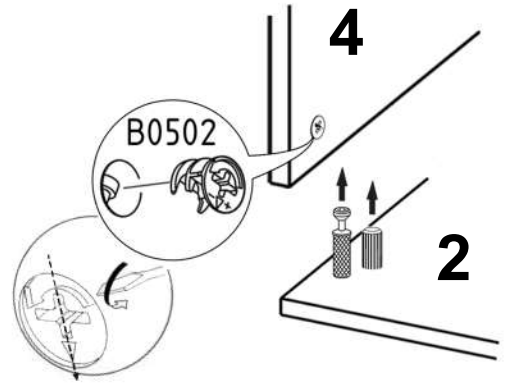
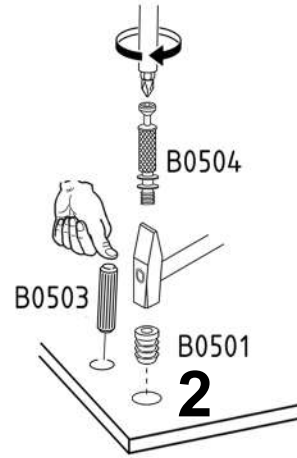
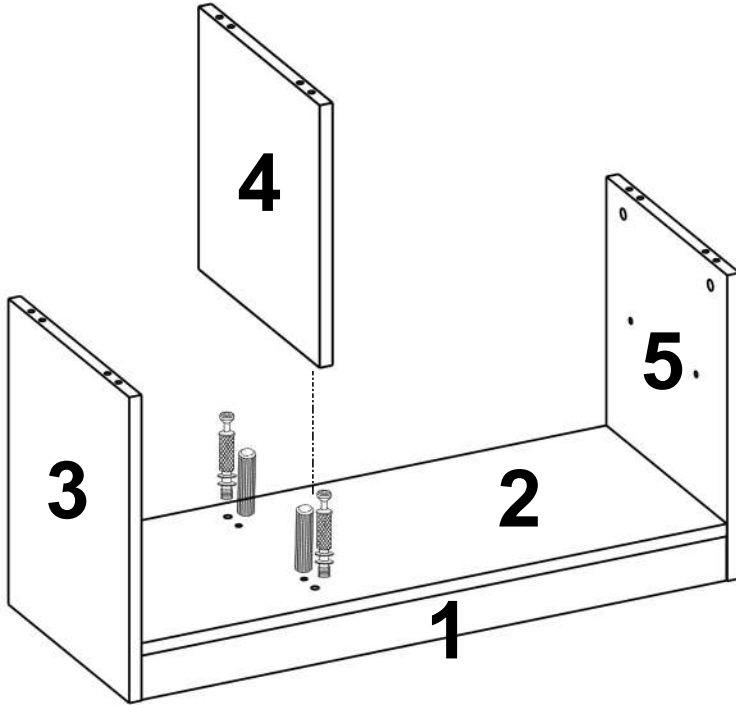
B0508



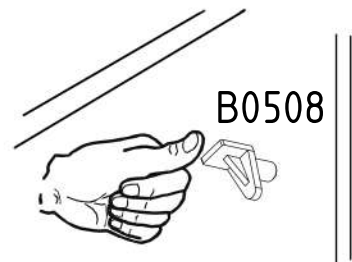
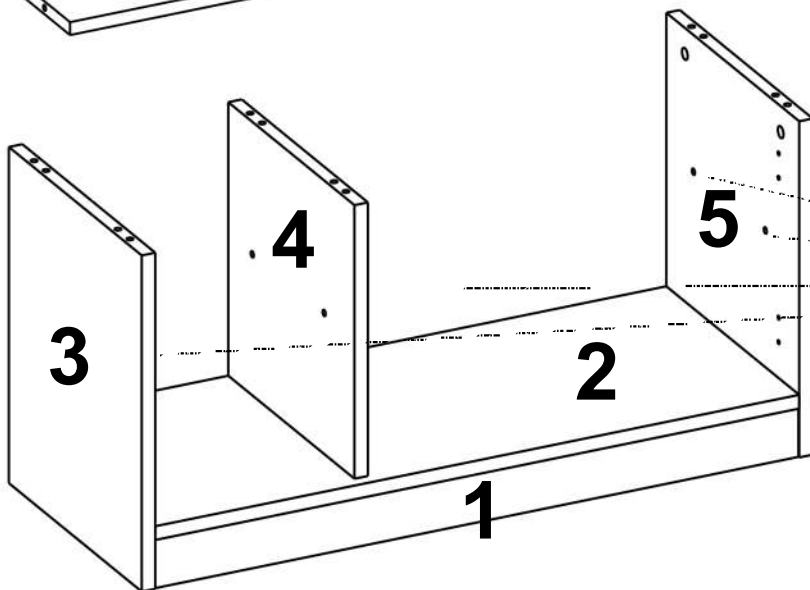
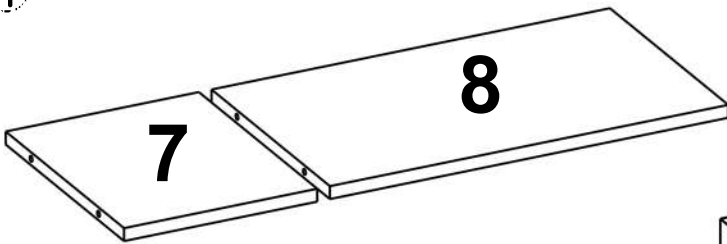
x8



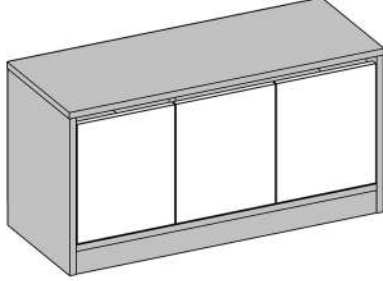
3

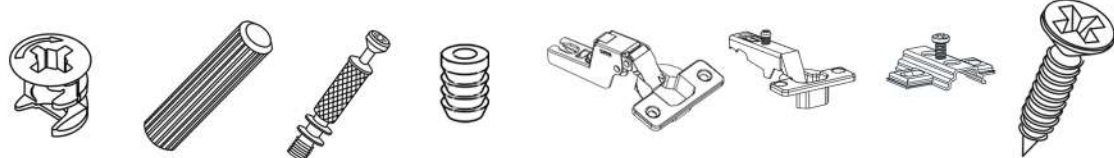


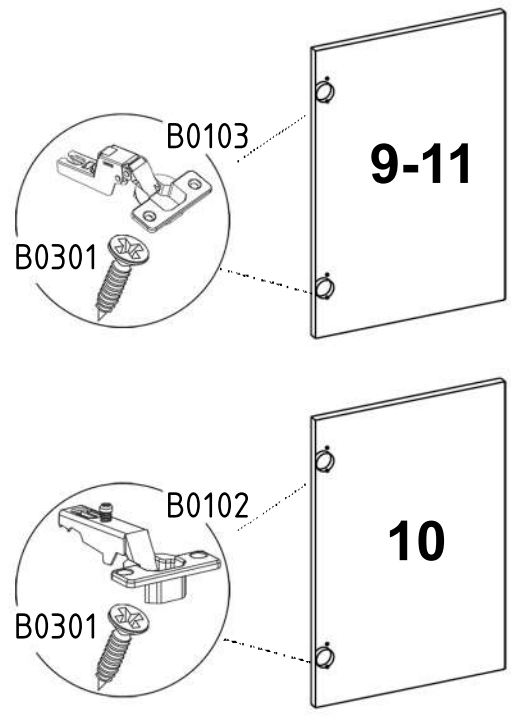
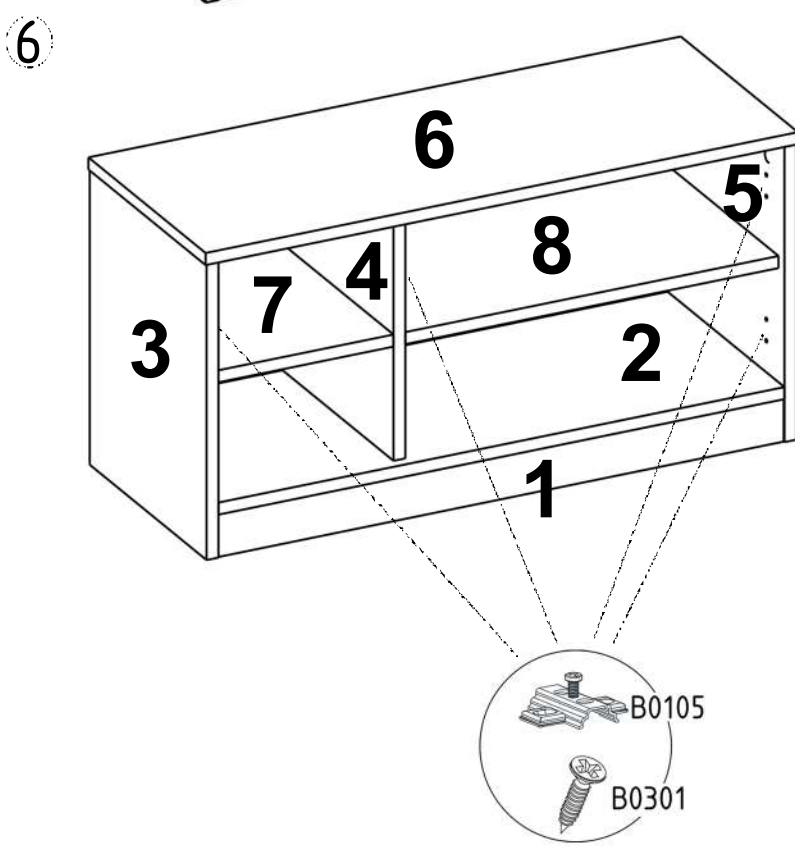
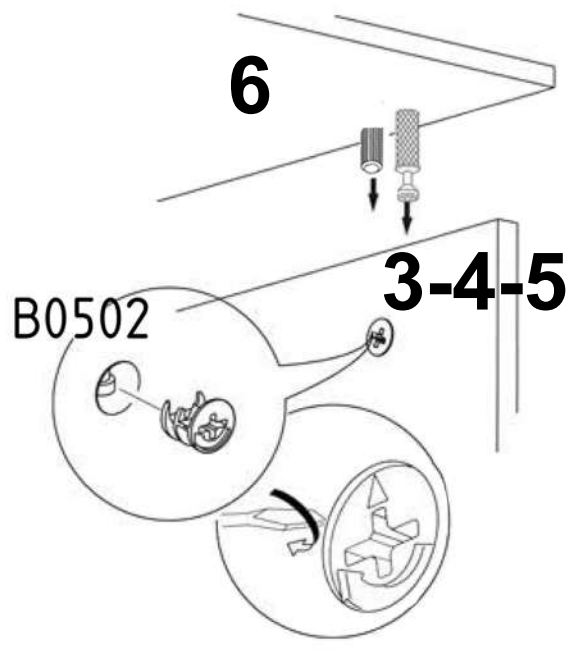
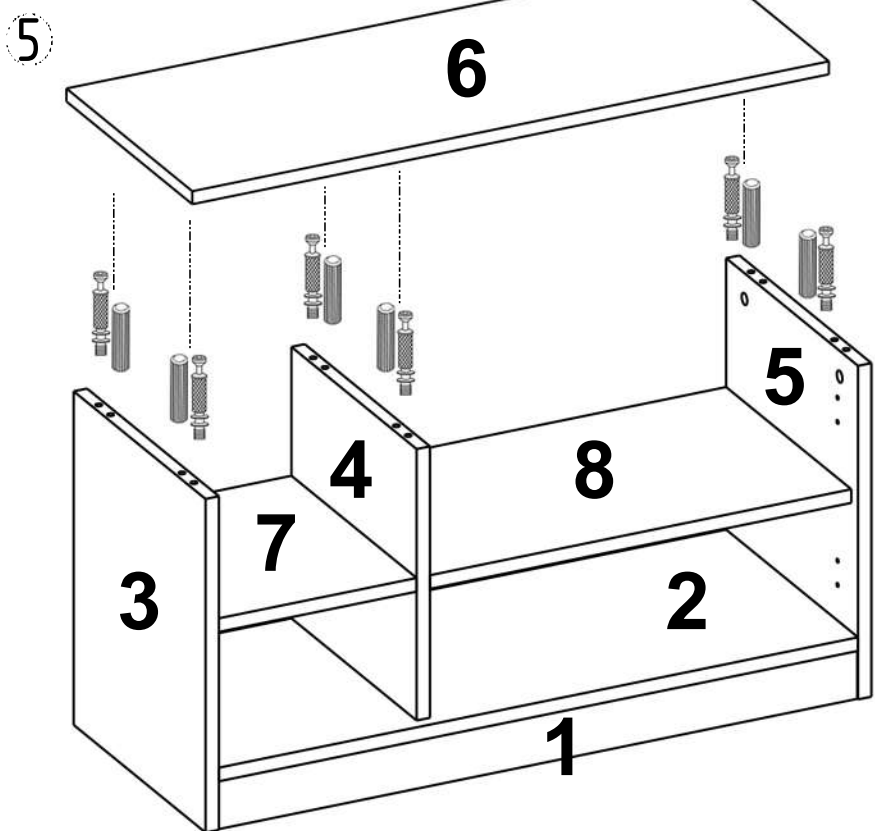
4

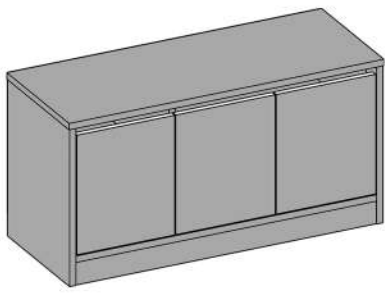


B0508



- B0502
 - B0503
 - B0504
 - B0501
 - B0103
 - B0102
 - B0105
 - B0301
- 
- x6
 - x6
 - x6
 - x6
 - x4
 - x2
 - x6
 - x24

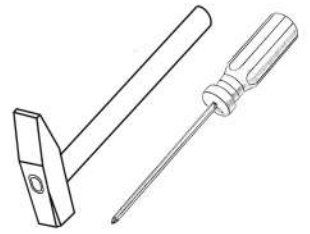




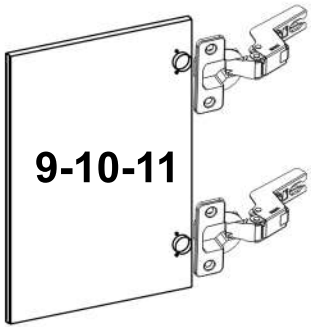
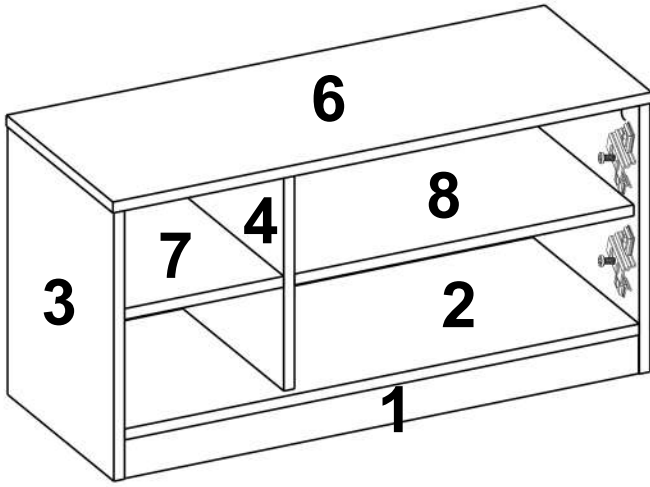
B0318



x18



11



12

