





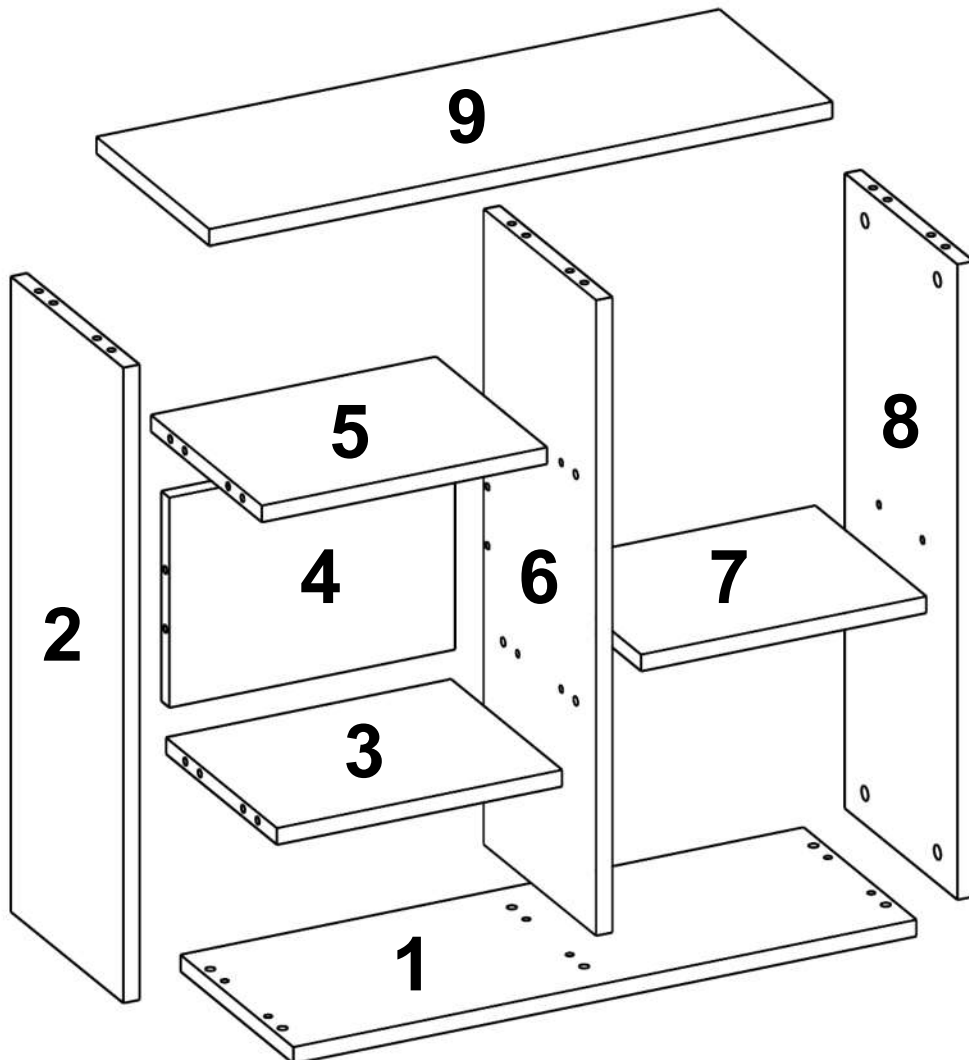
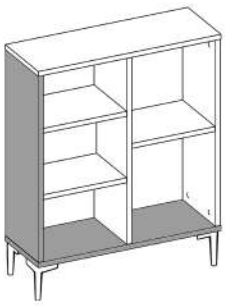
 <p>B0501 x20</p>	 <p>B0502 x20</p>	 <p>B0503 x24</p>	 <p>B0504 x20</p>	 <p>B0326 x16</p>
 <p>B1004 x4</p>	 <p>B0507 x4</p>			





B0501 B0502 B0503 B0504

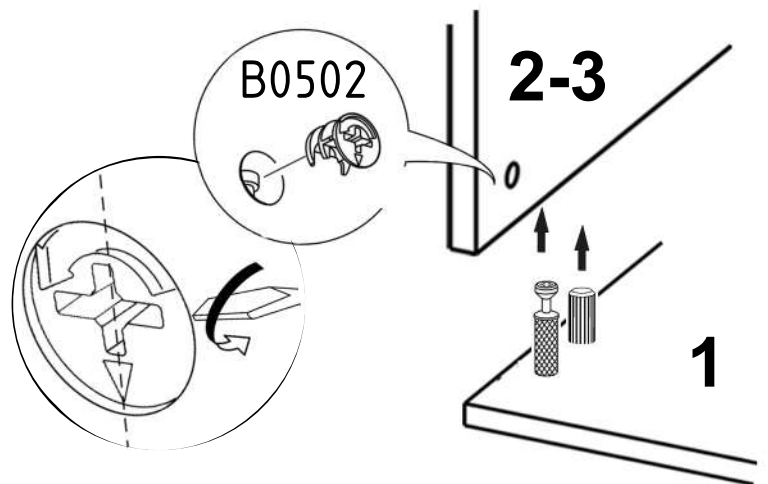
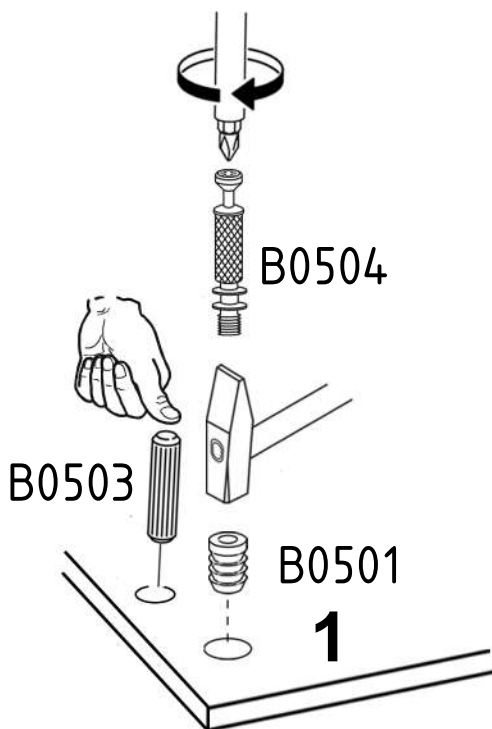
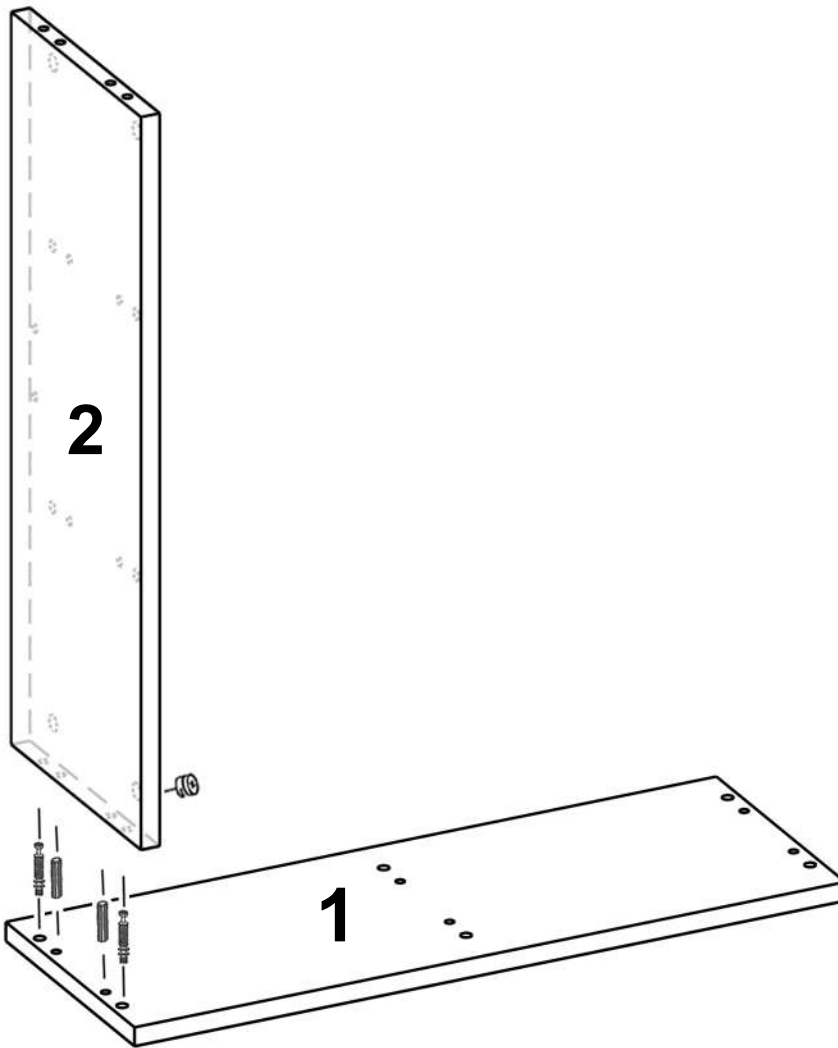
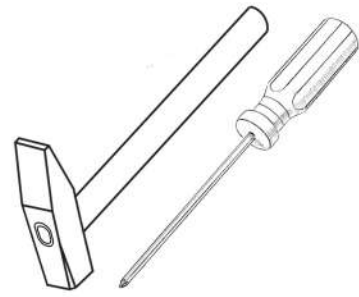


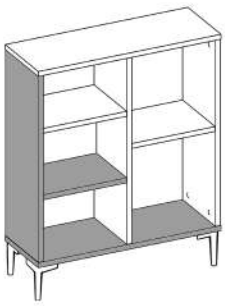
x2

x2

x2

x2





B0501 B0502 B0503 B0504

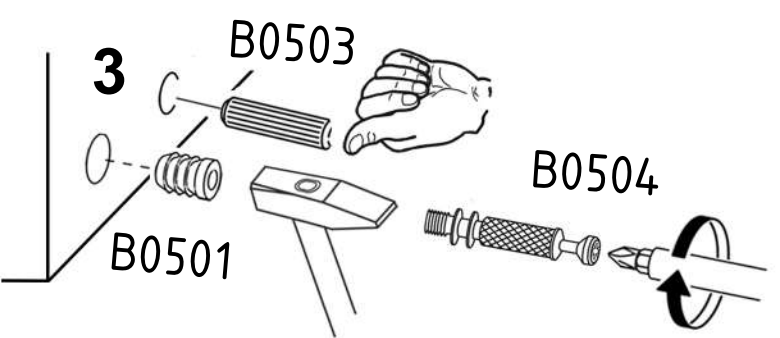
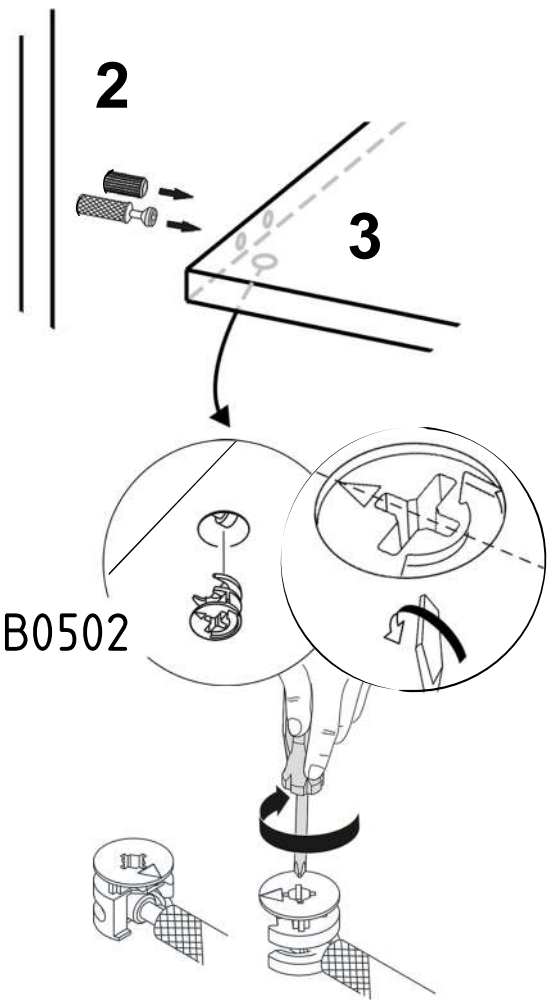
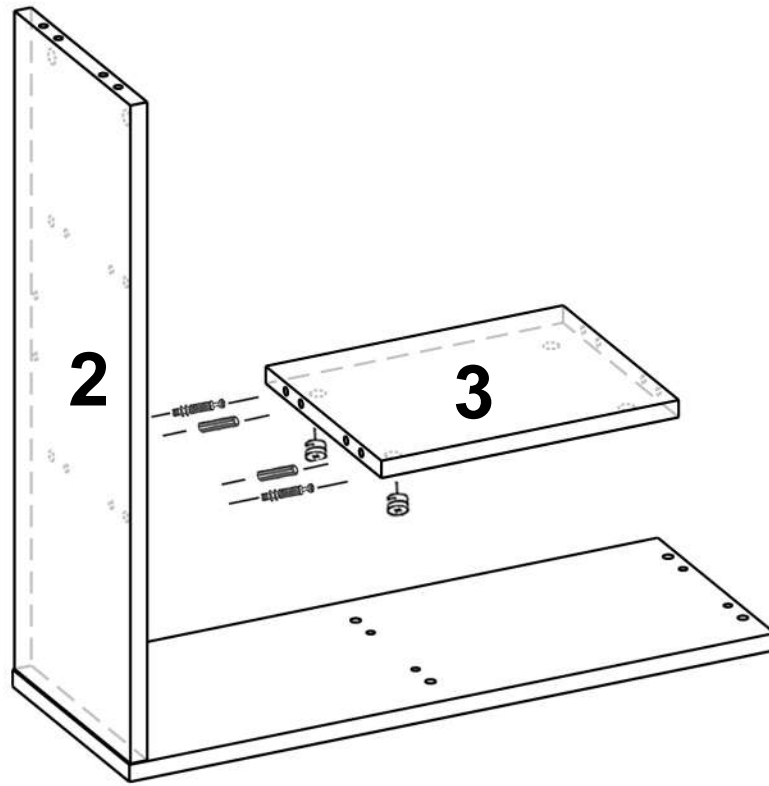
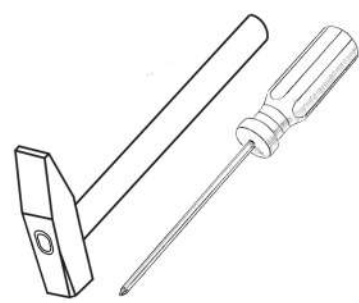


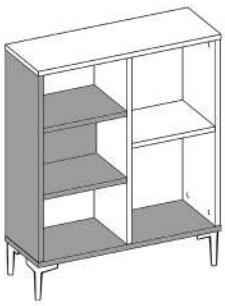
x2

x2

x2

x2





B0501 B0502 B0503 B0504

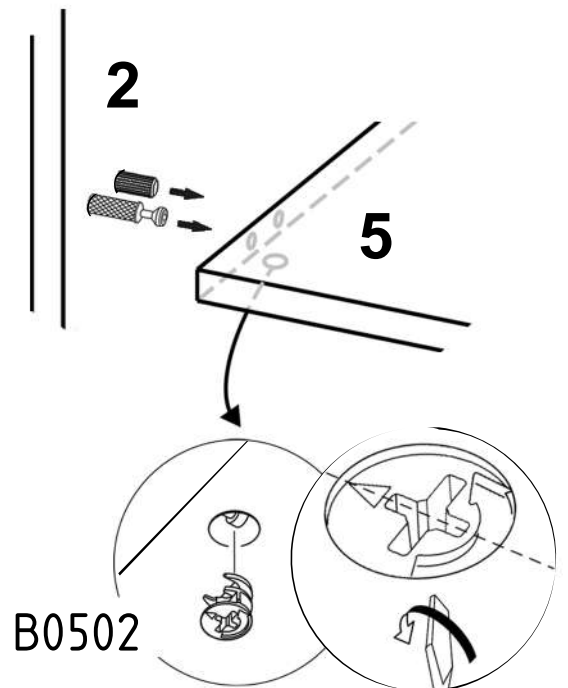
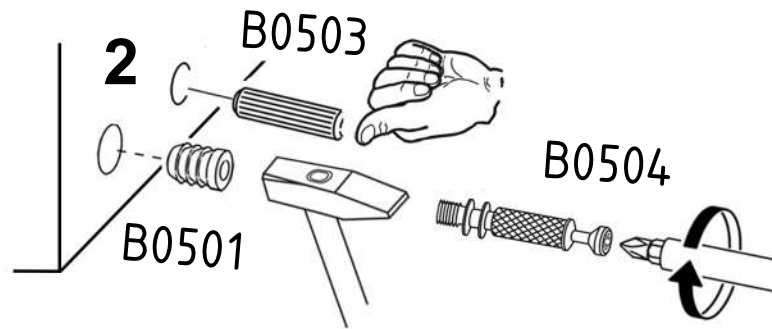
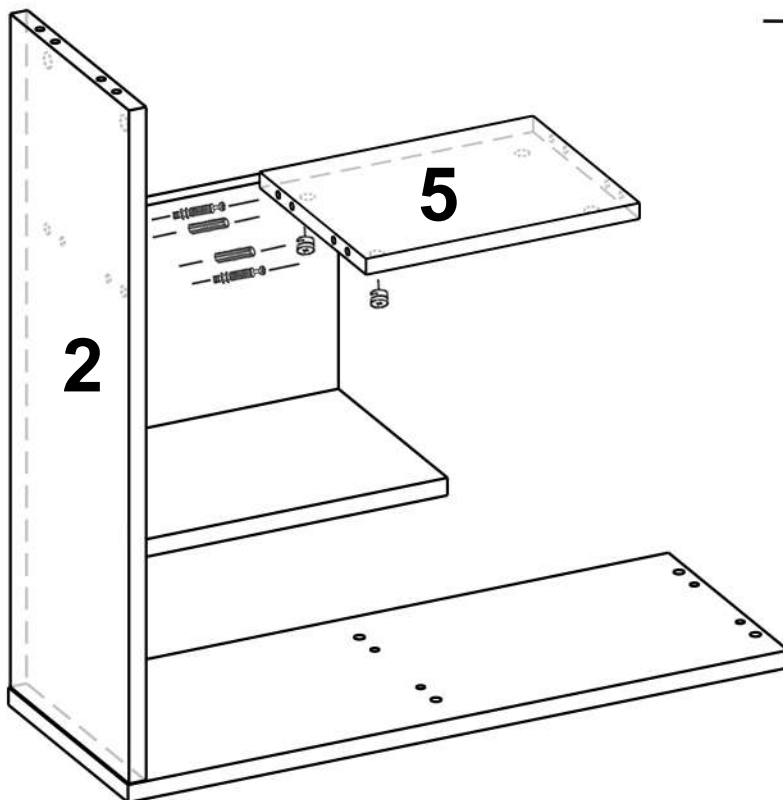
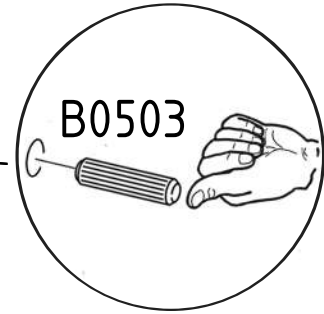
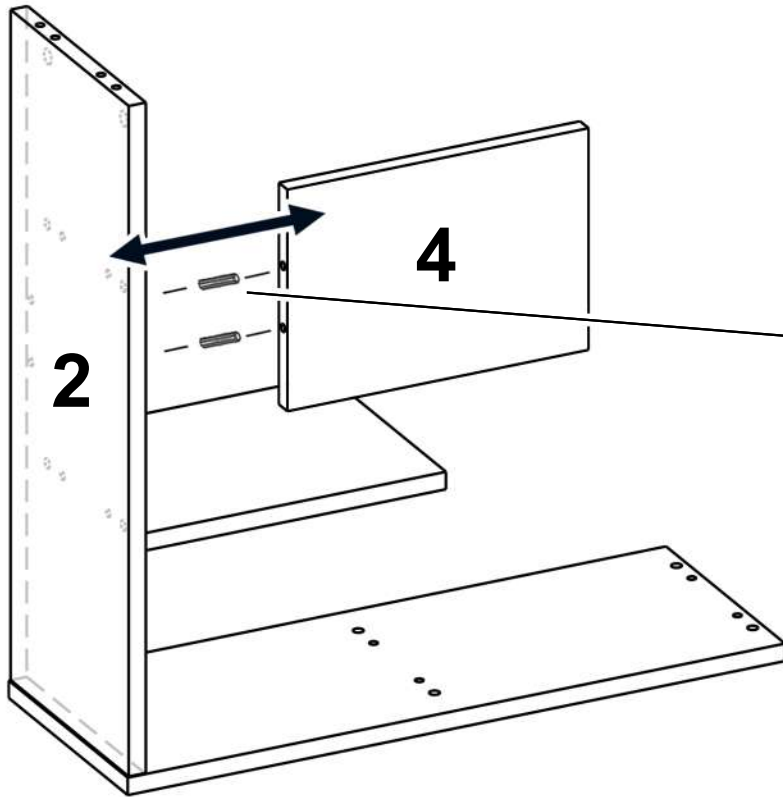
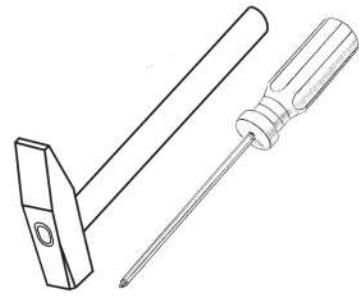


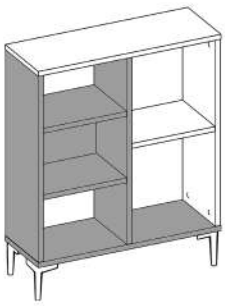
x2

x2

x4

x2





B0501 B0502 B0503 B0504

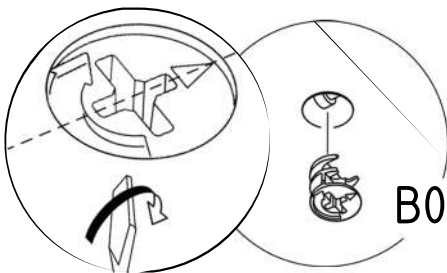
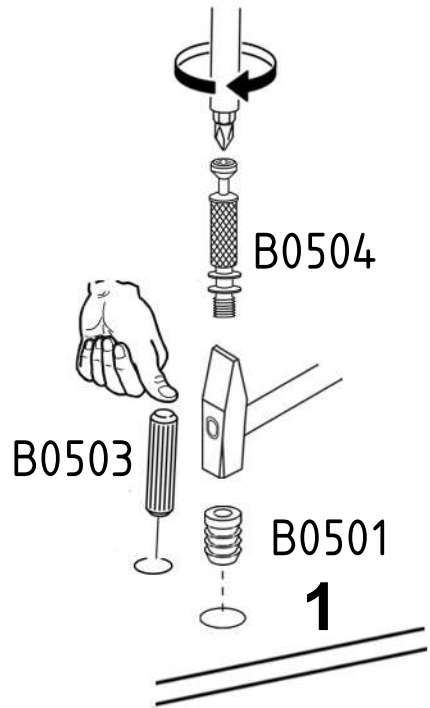
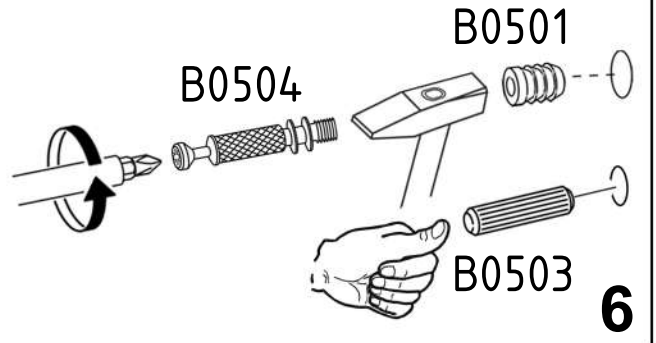
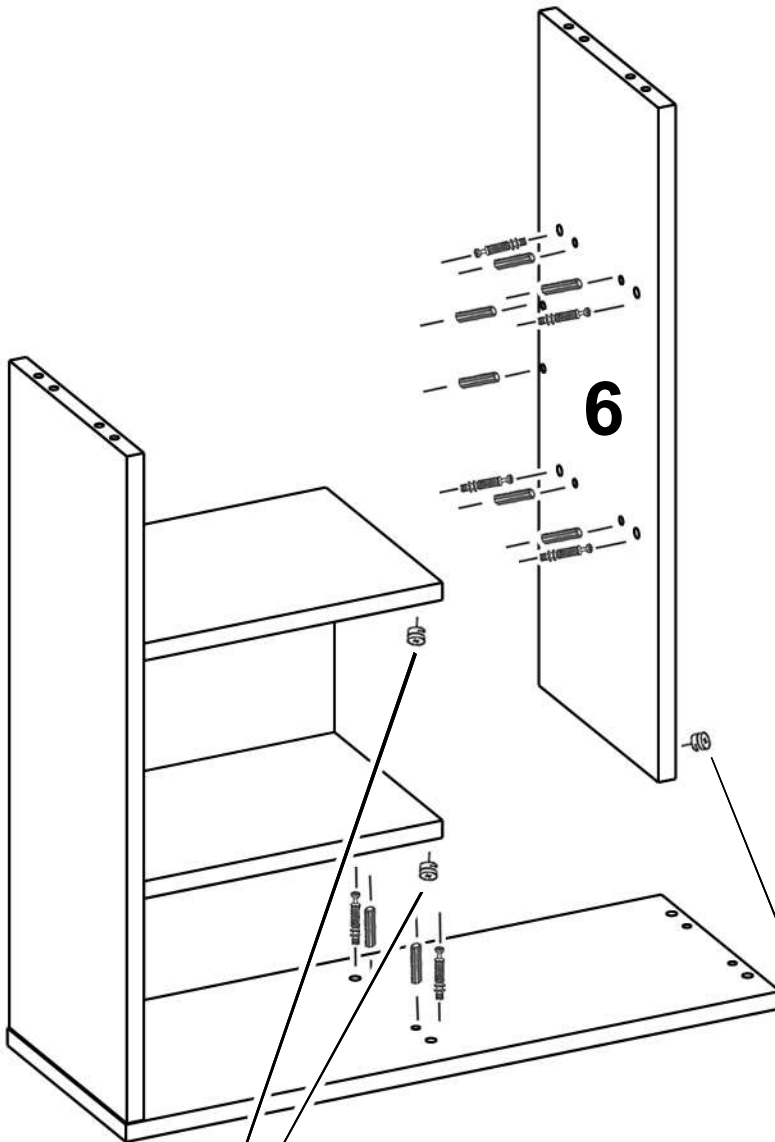
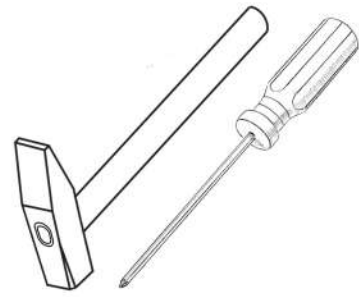


x6

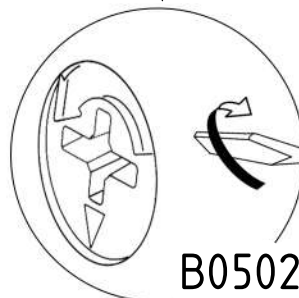
x6

x8

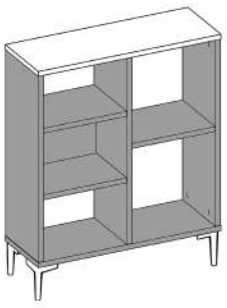
x6



B0502



B0502



B0501 B0502 B0503 B0504 B0507



x2



x2



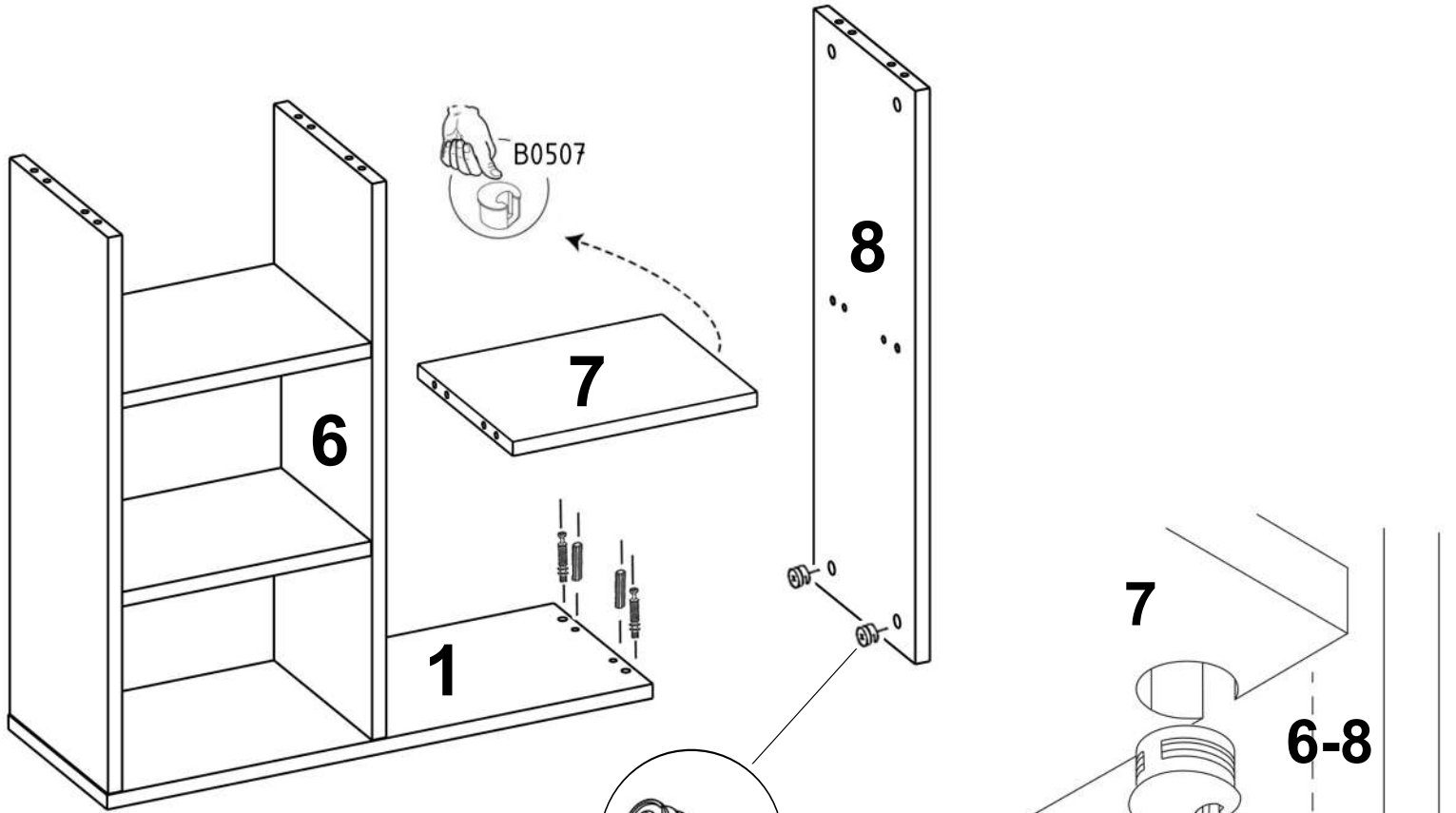
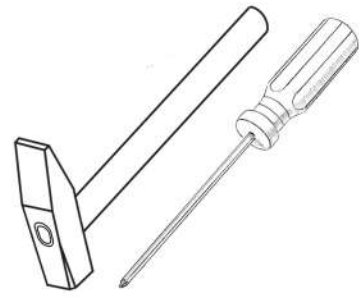
x2



x2

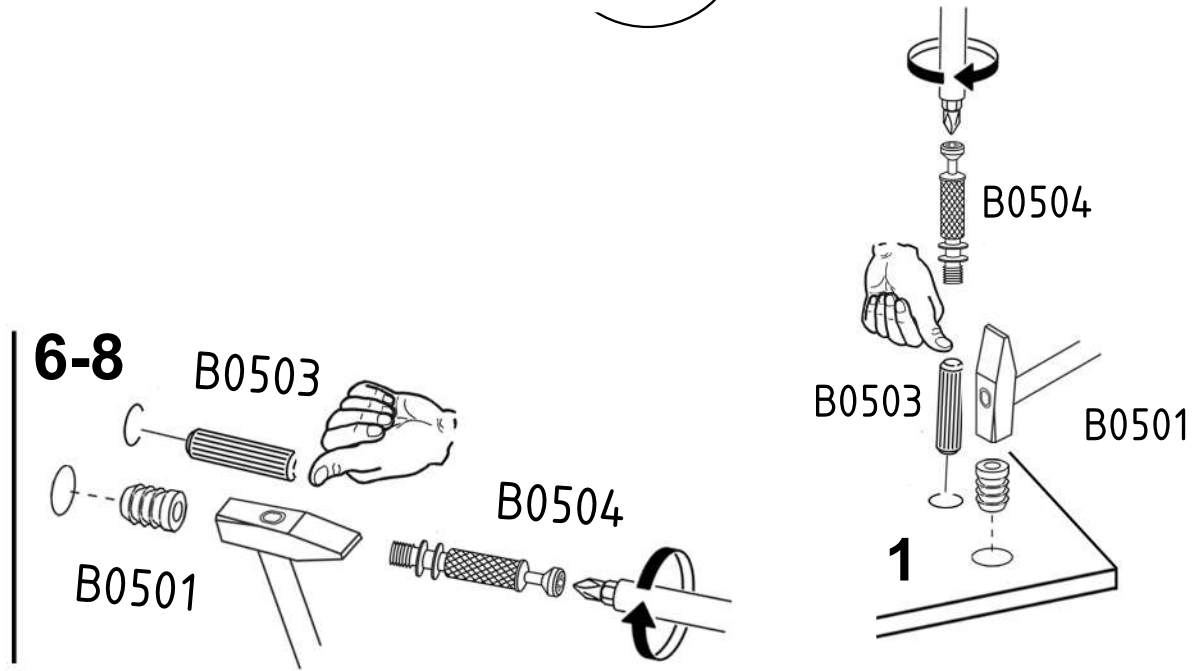


x4



B0502

6-8



6-8

B0503

B0504

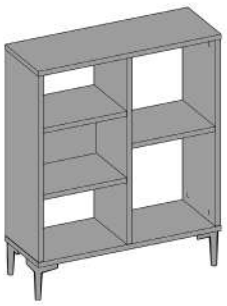
B0501

B0504

B0503

B0501

1



B0501 B0502 B0503 B0504 B1004 B0326



x6



x6



x6



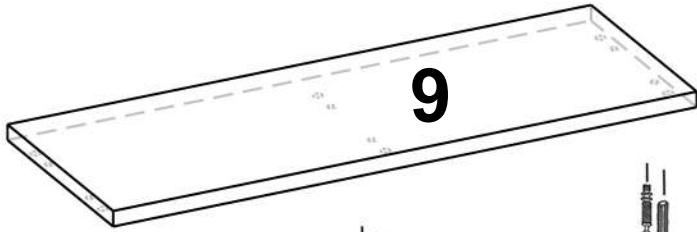
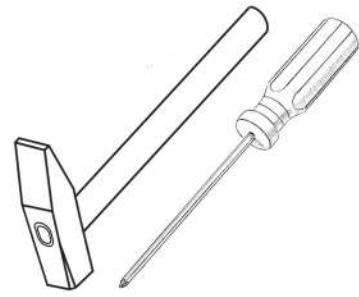
x6



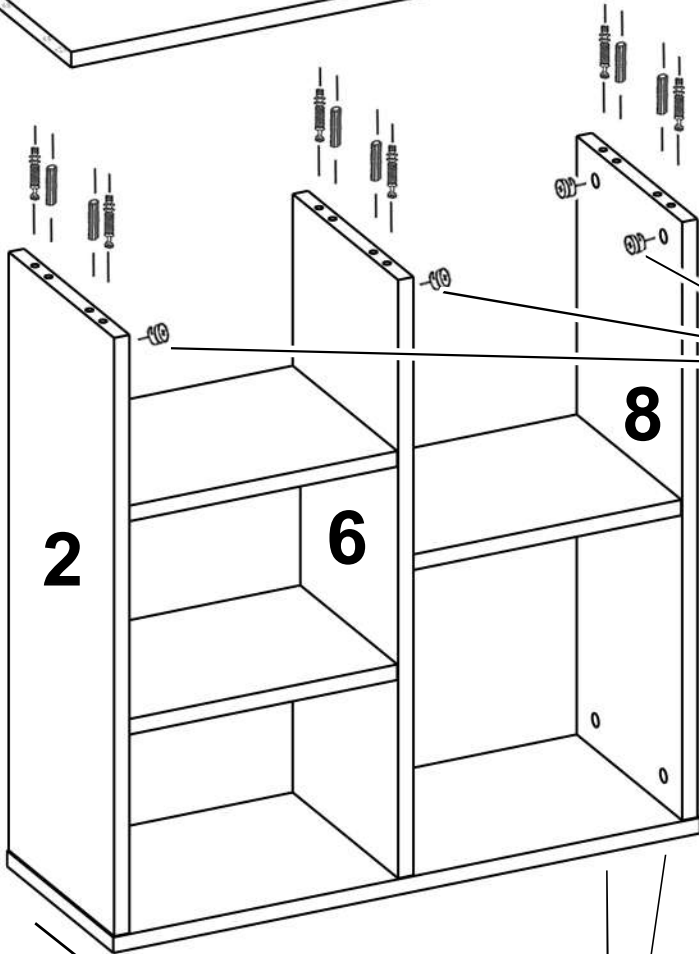
x4



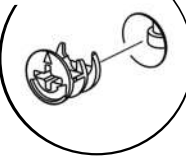
x16



9



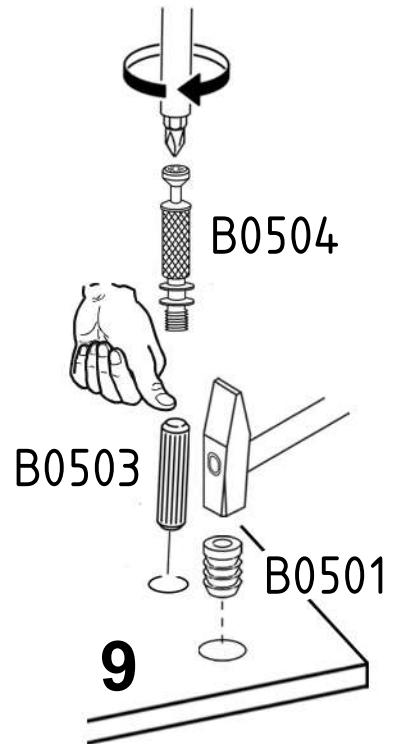
B0502



8

2

6



B0504

B0503

B0501

9

B1004



B0326