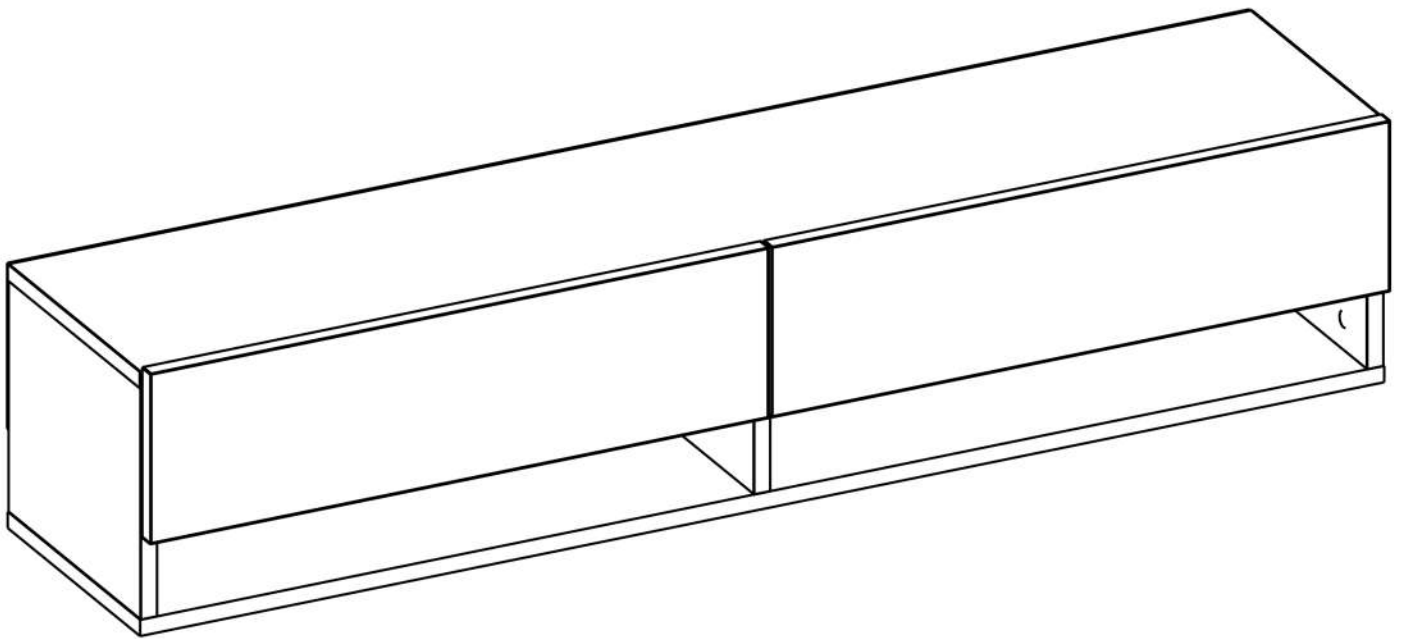









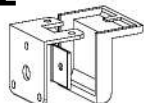

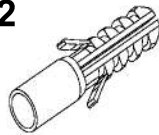
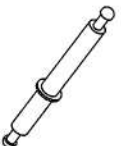
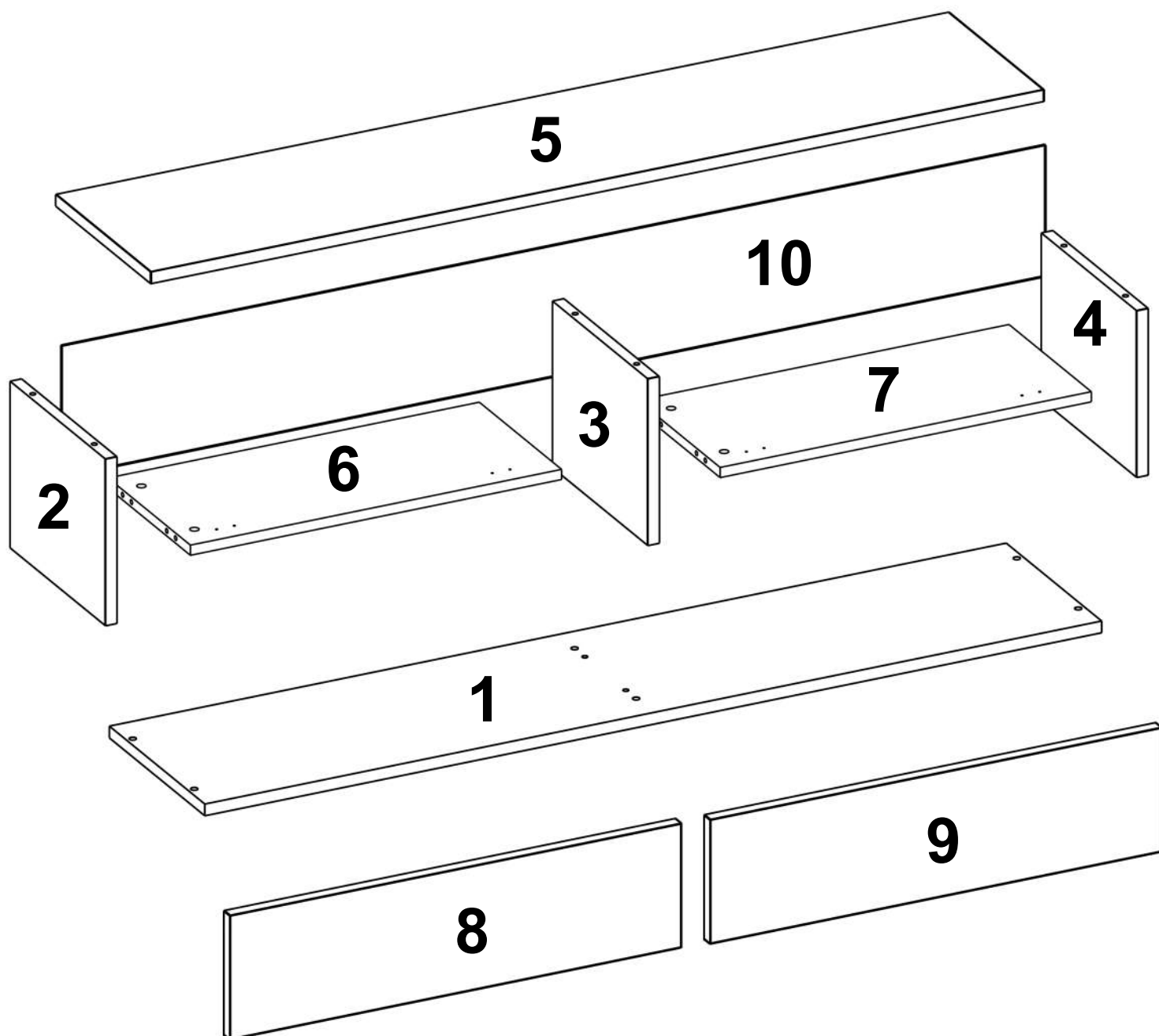
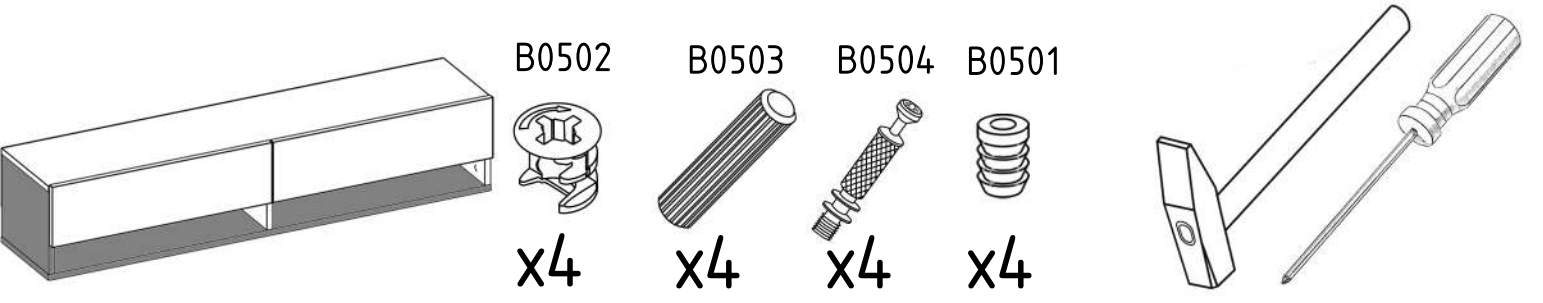


176-000064

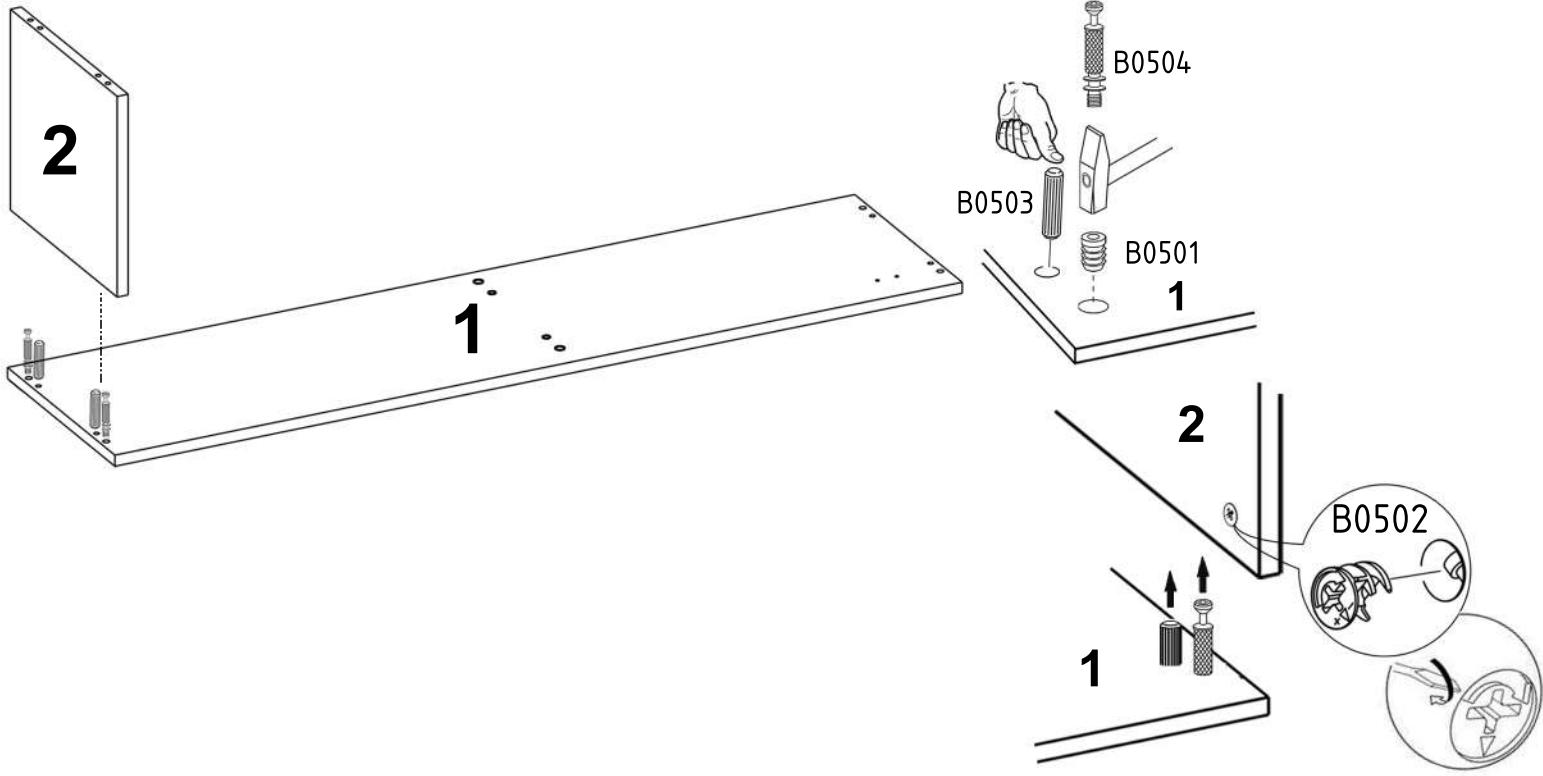


1  B0501 x16	1  B0502 x20	1  B0503 x16	1  B0504 x16	2  B0301 x44
P  B1102 x4	2  B0318 x28	3  B0101 x4	3  B0105 x4	2  B1303 x6
2  B0306 x6	2  B0317 x6	 B0506 x2		

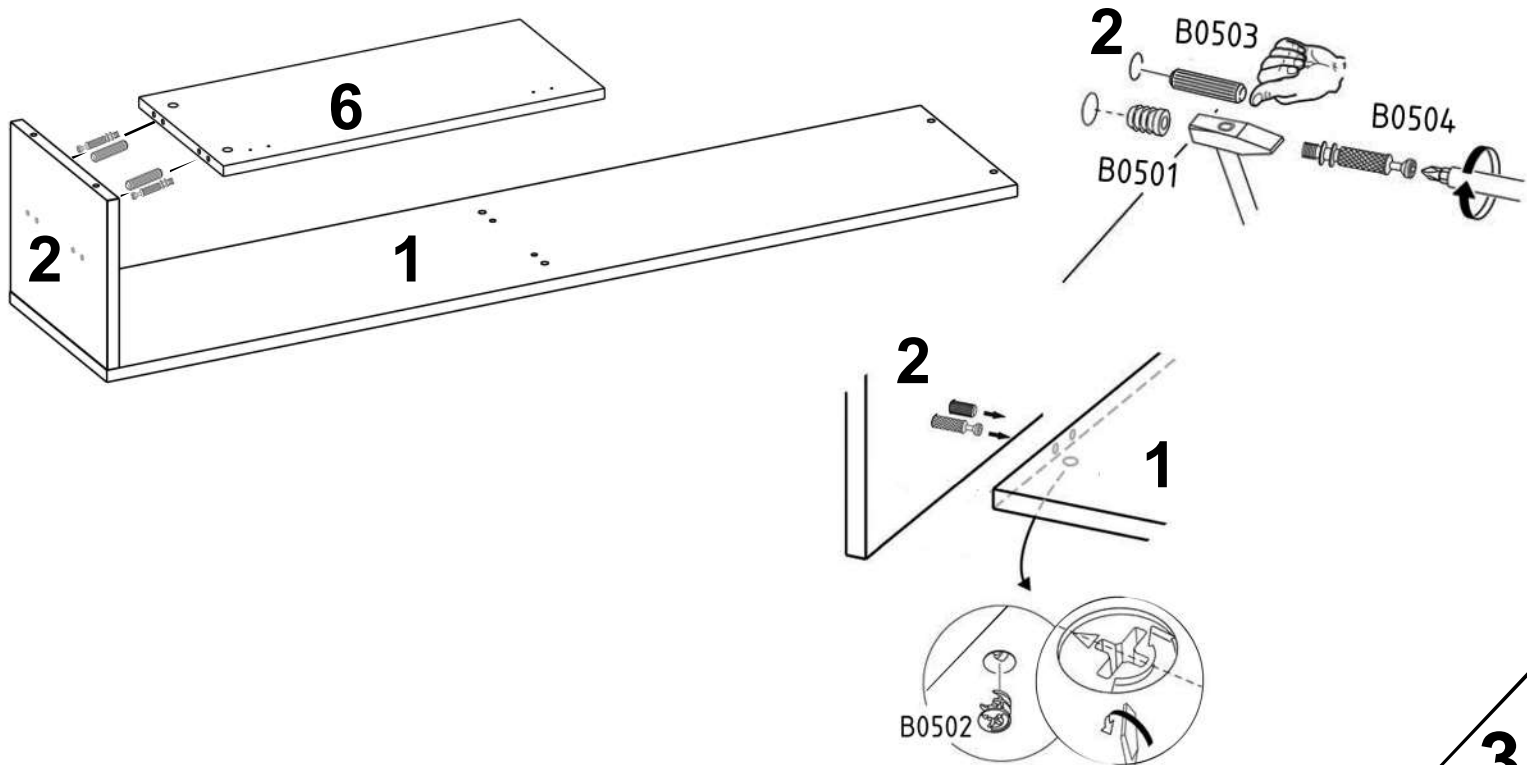




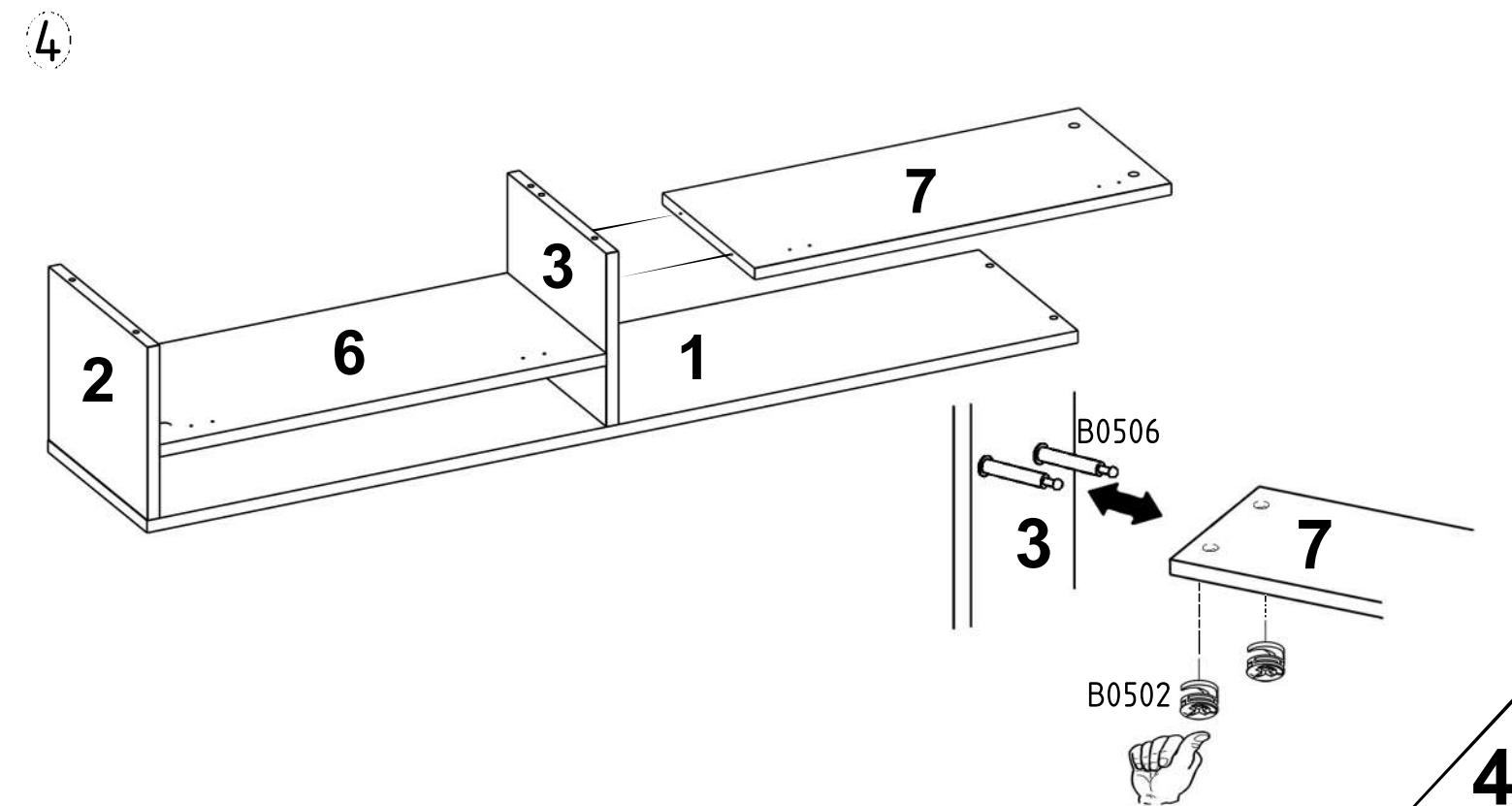
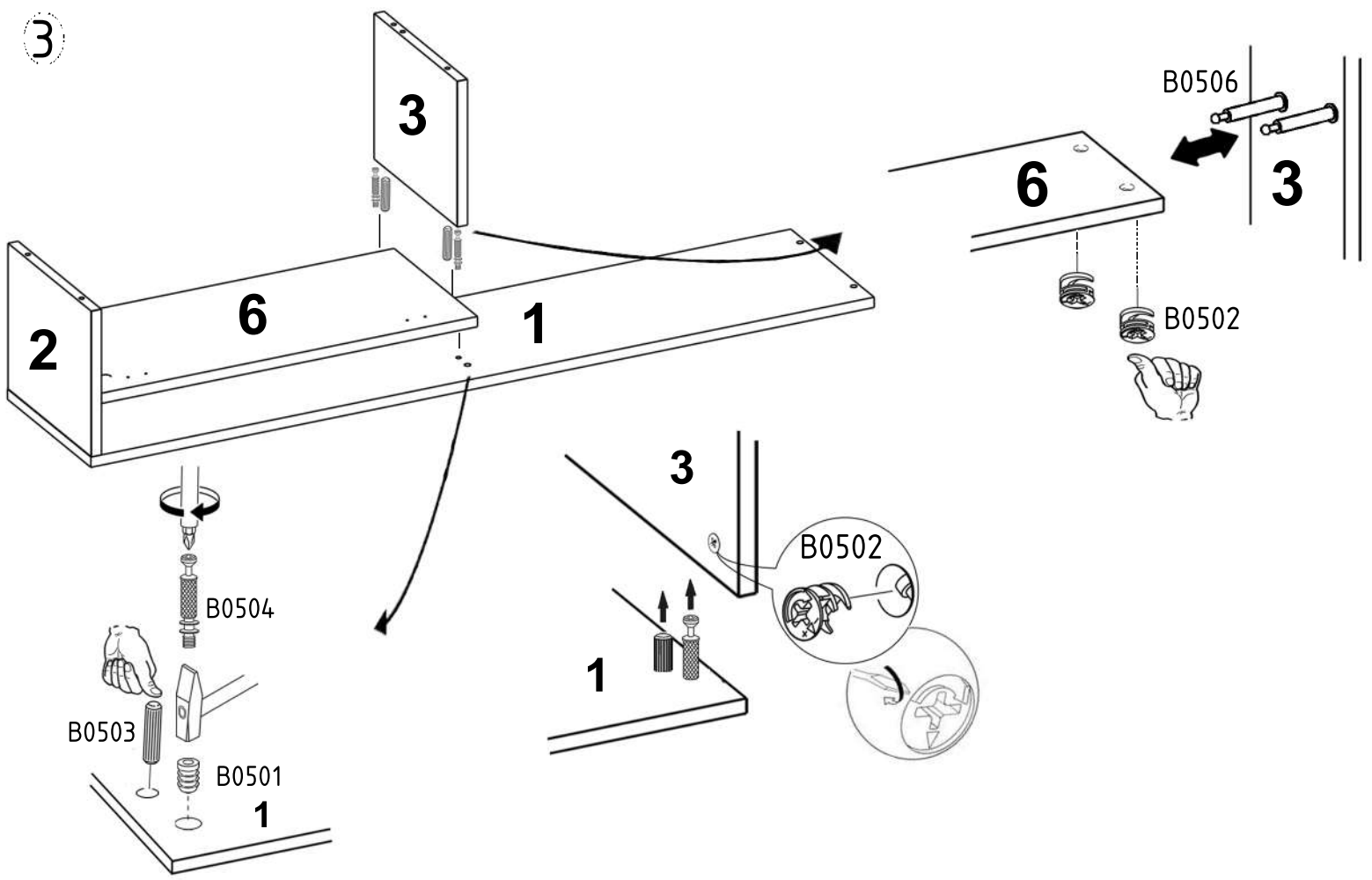
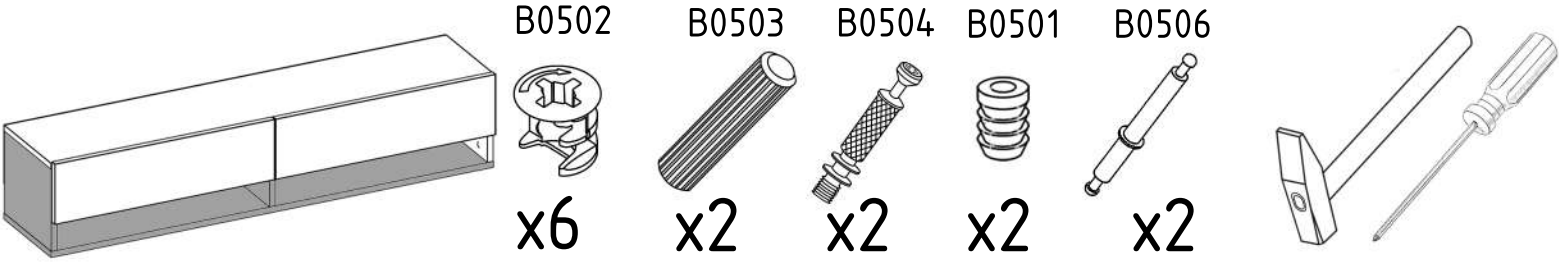
1

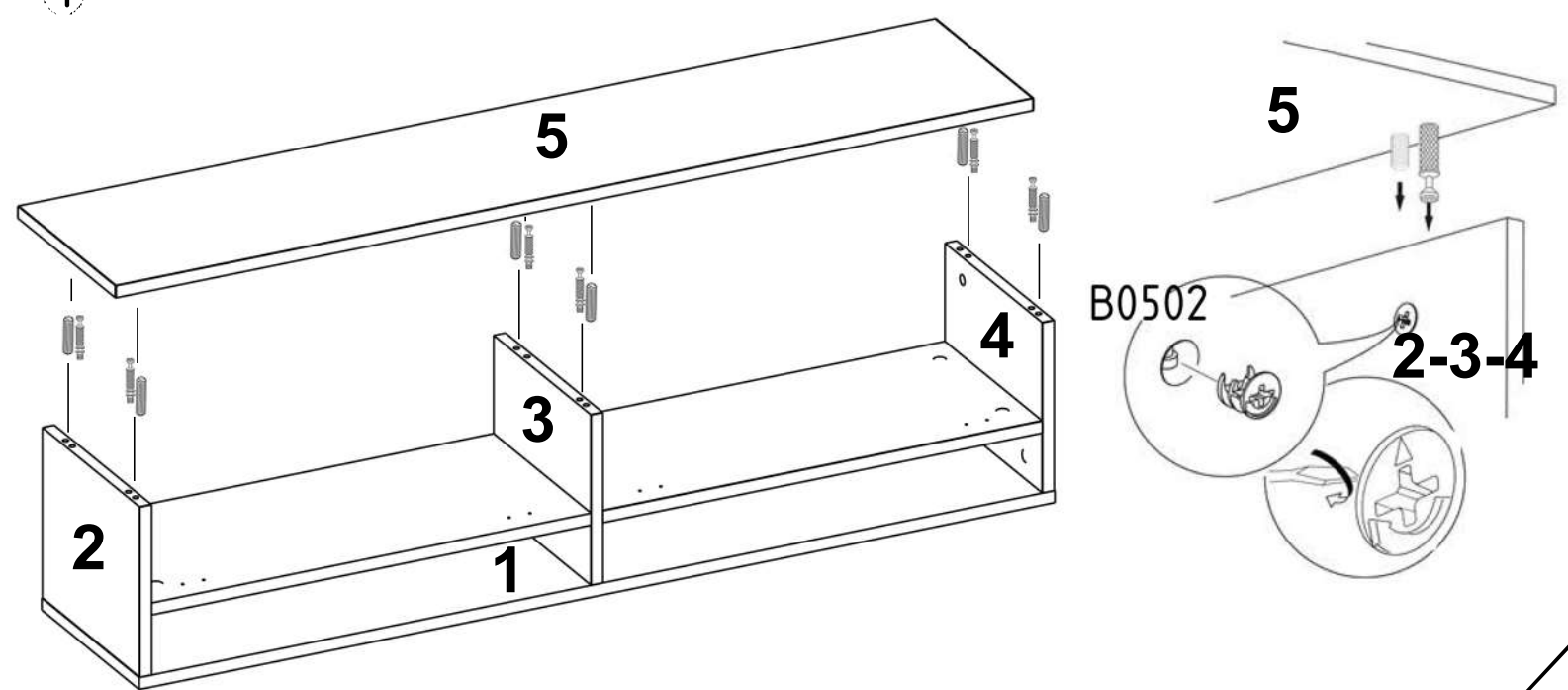
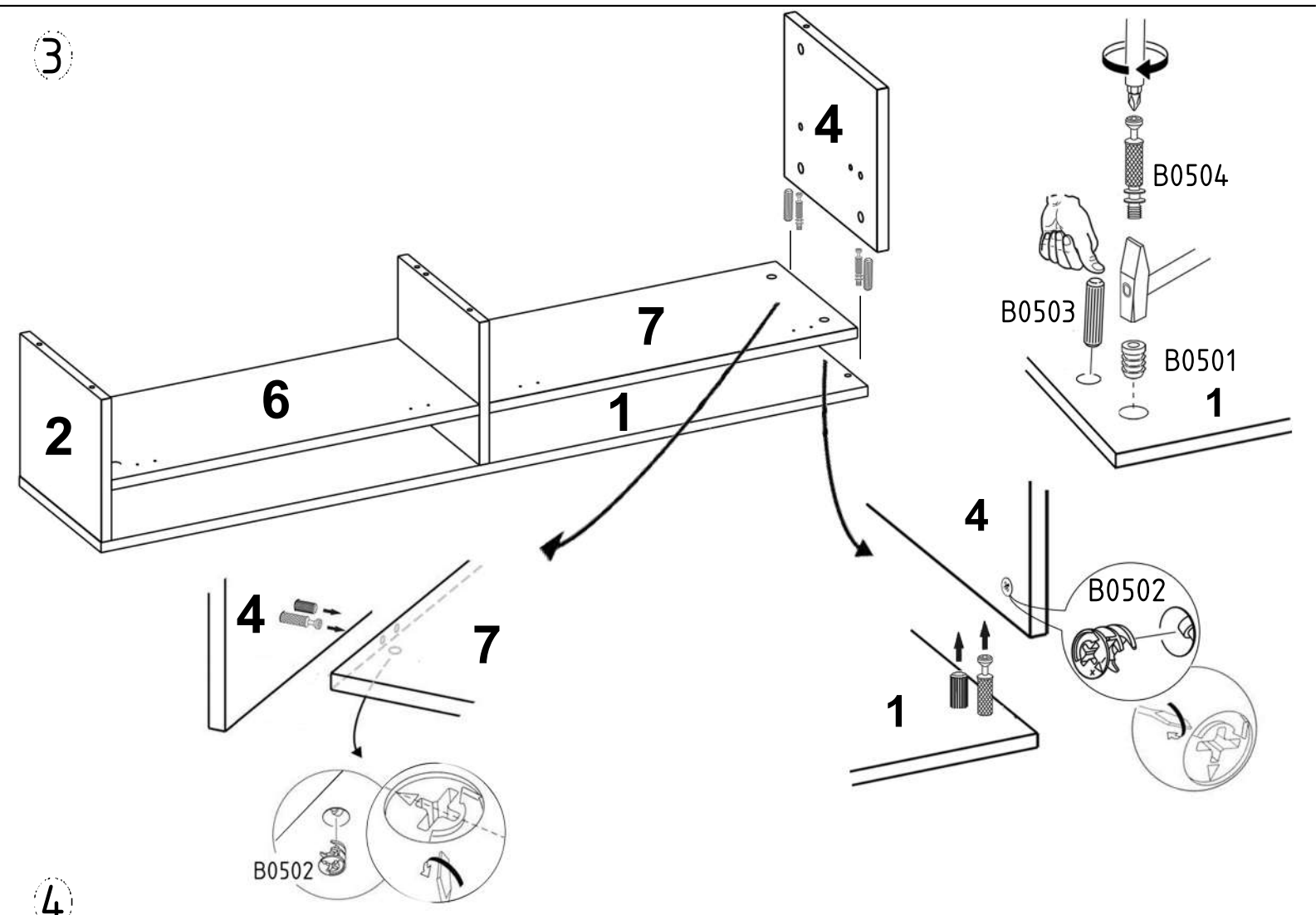
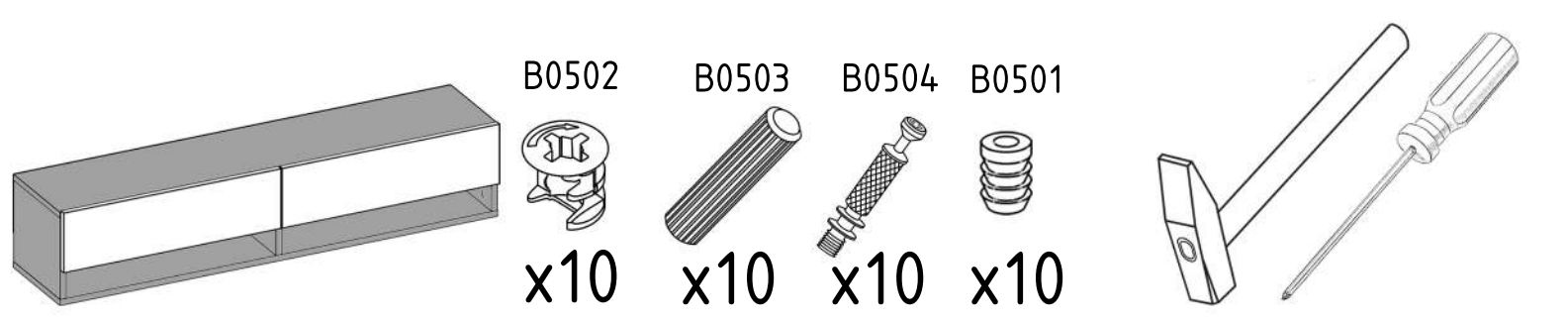


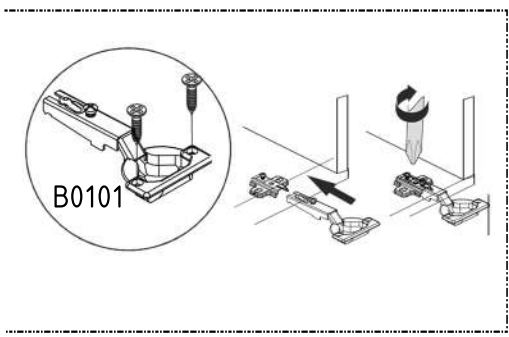
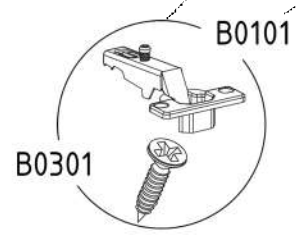
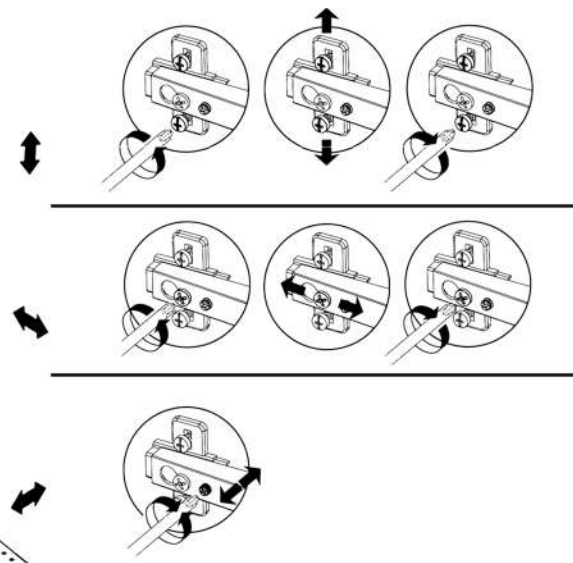
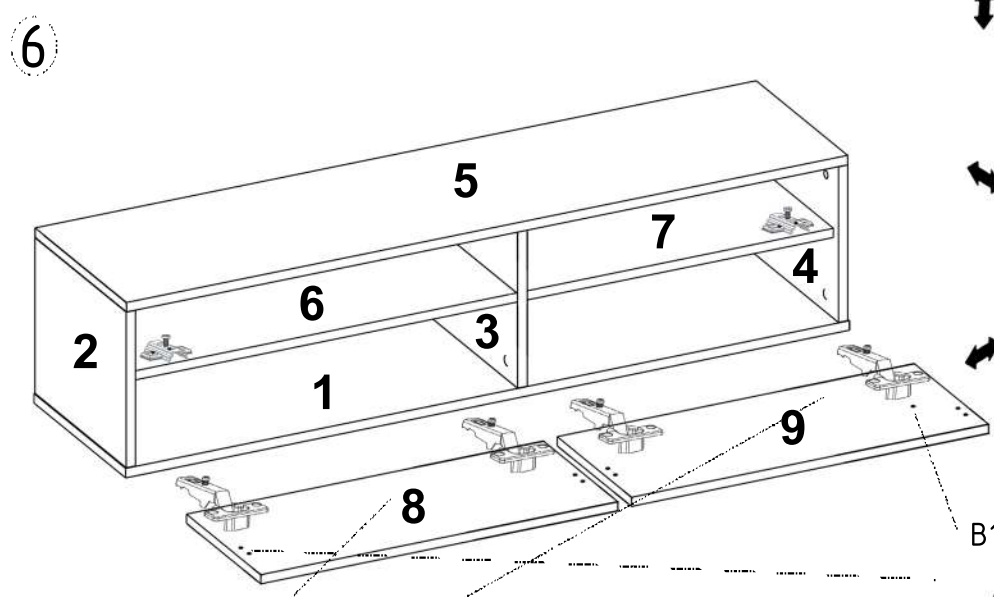
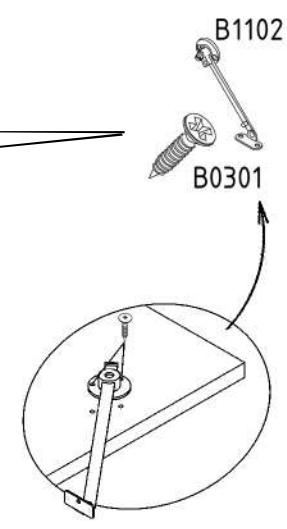
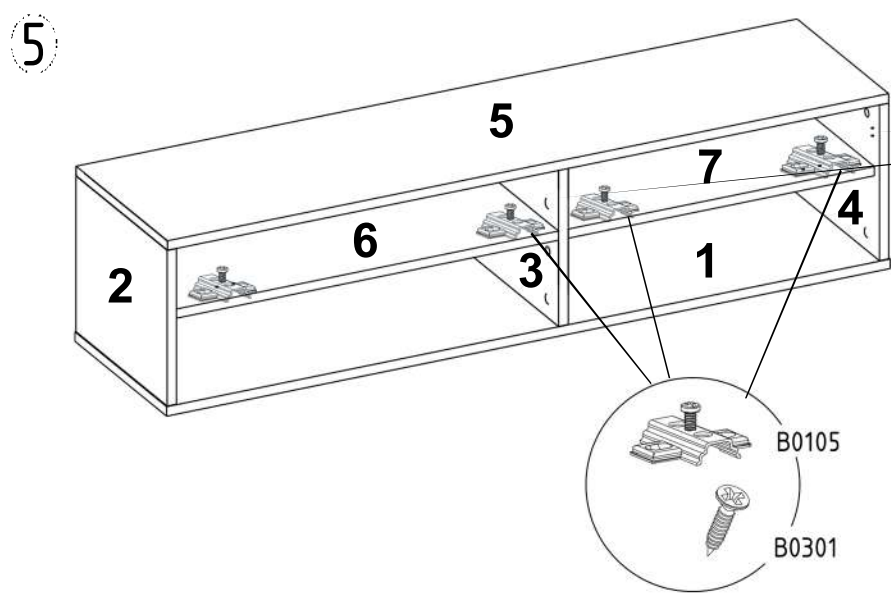
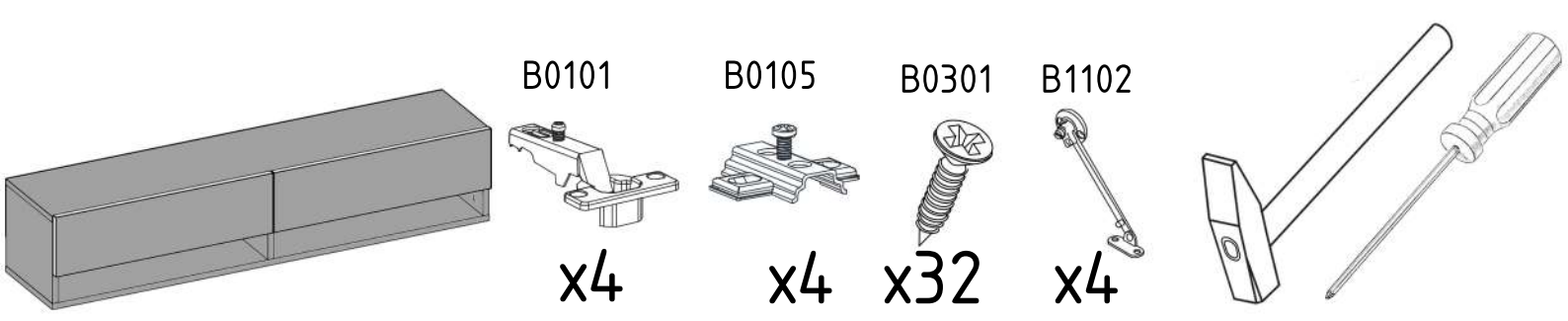
2

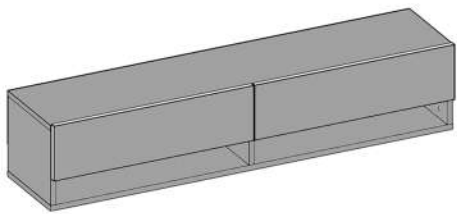


3









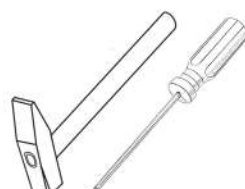
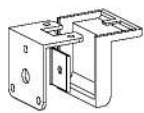
B1303

B0317

B0301

B0306

B0318



x6

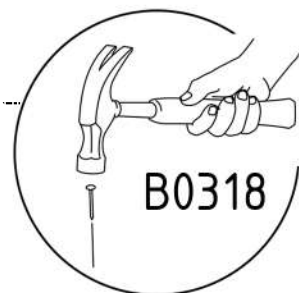
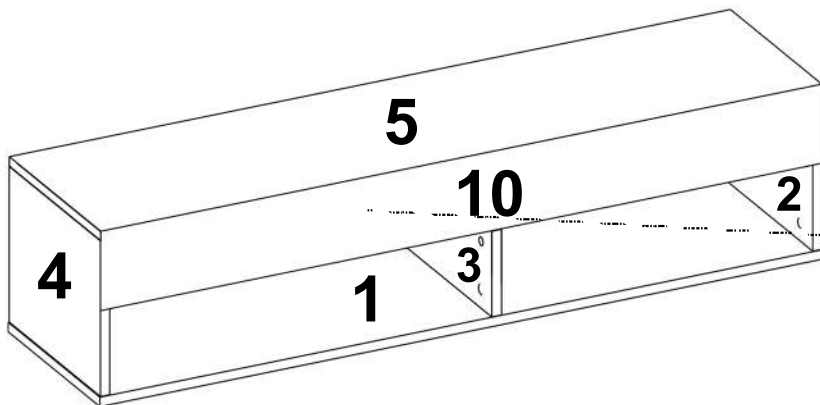
x6

x12

x6

x28

7



8

