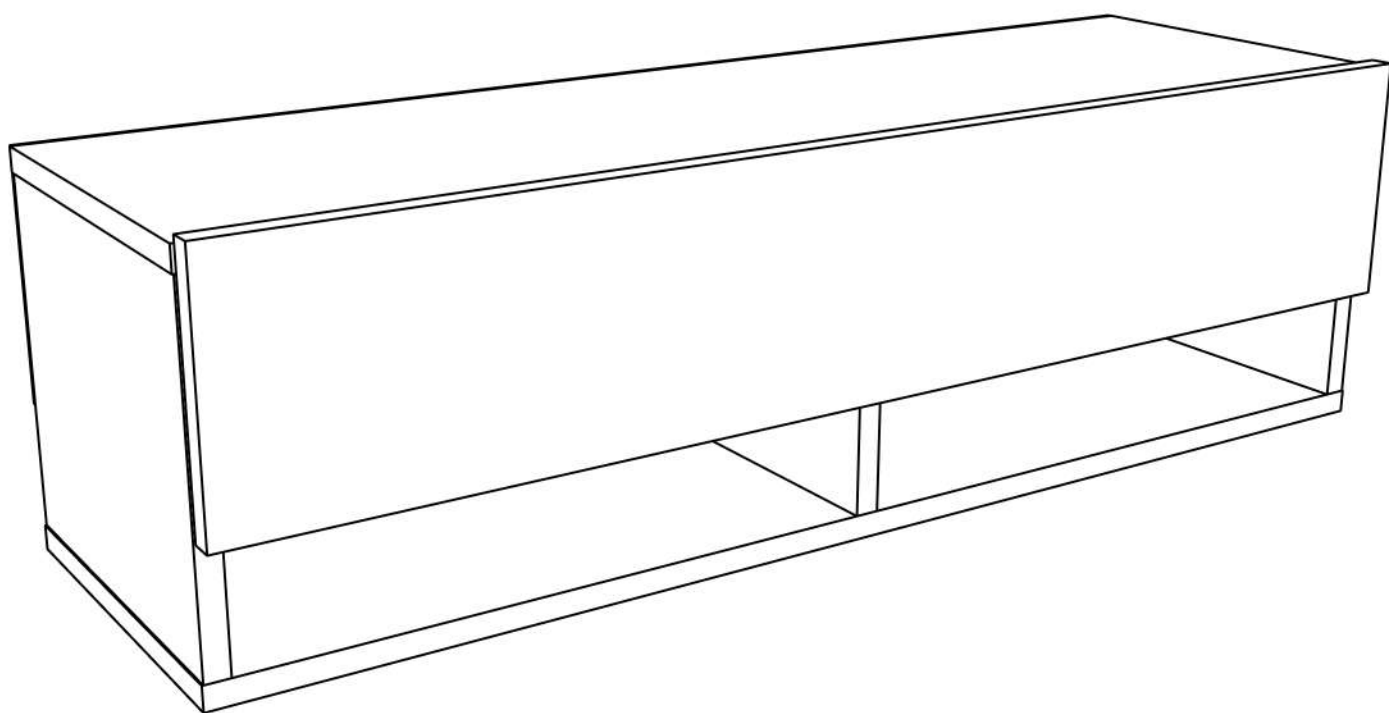









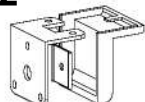

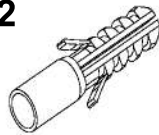
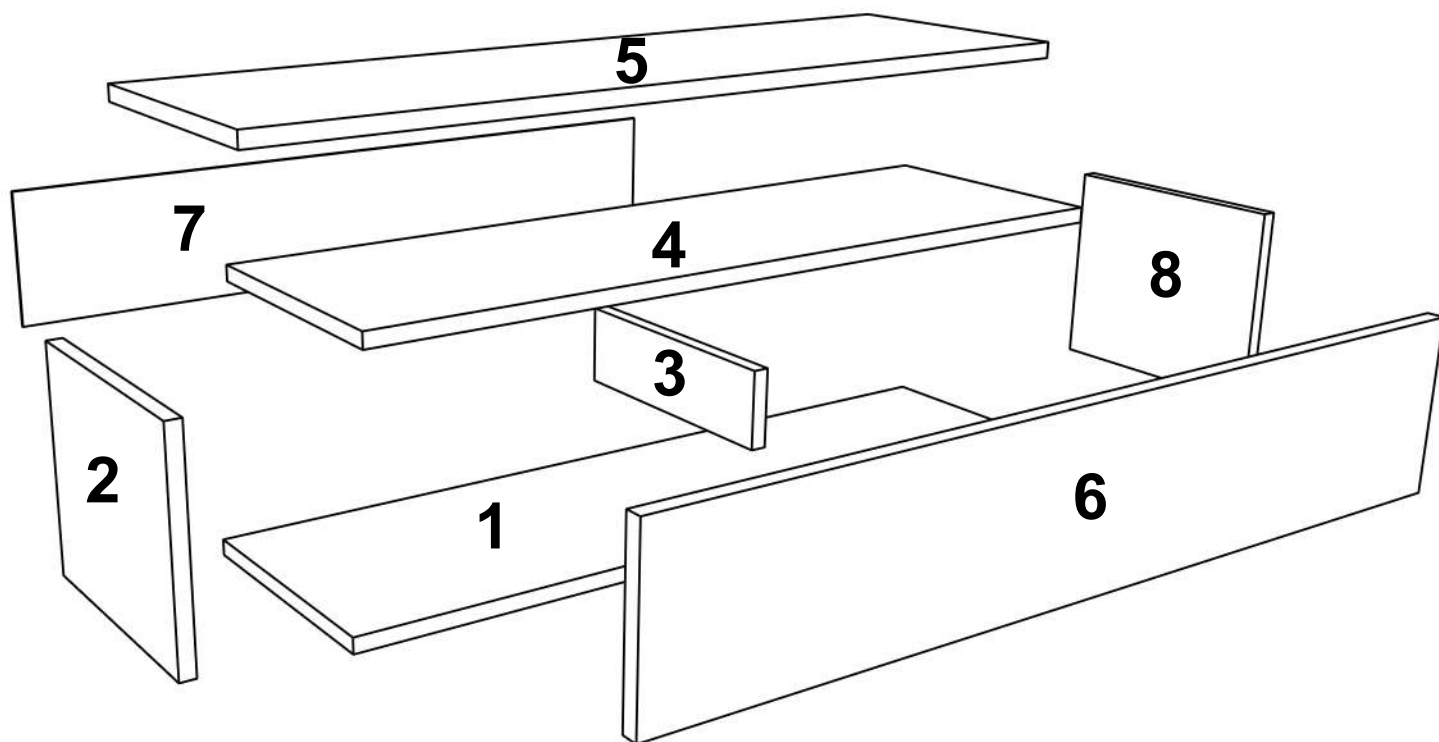
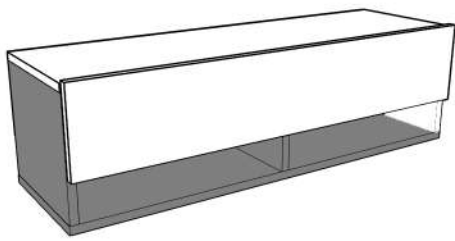


176-000031



| | | | | |
|-----------------------------------------------------------------------------------------------------------|------------------------------------------------------------------------------------------------------------|-----------------------------------------------------------------------------------------------------------|------------------------------------------------------------------------------------------------------------|-------------------------------------------------------------------------------------------------------------|
| 1  B0501 x12 | 1  B0502 x12 | 1  B0503 x16 | 1  B0504 x12 | 2  B0301 x26 |
| P  B1102 x2 | 2  B0318 x10 | 3  B0101 x2 | 3  B0105 x2 | 2  B1303 x5 |
| 2  B0306 x5 | 2  B0317 x5 | | | |





B0502



x4

B0503



x8

B0504

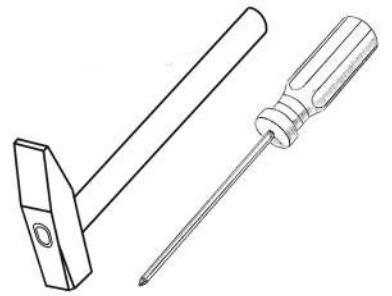


x4

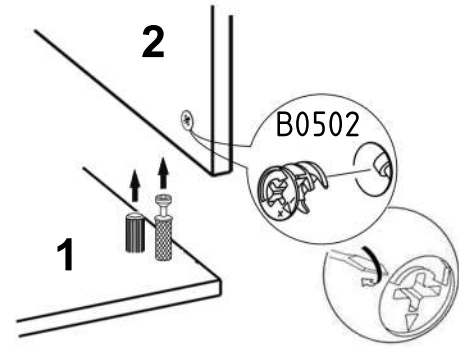
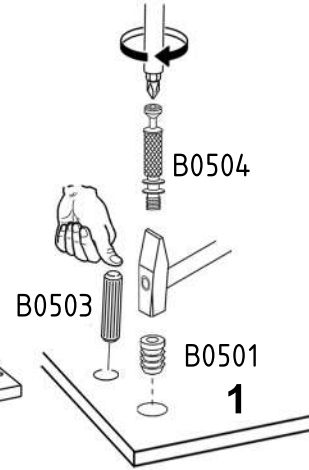
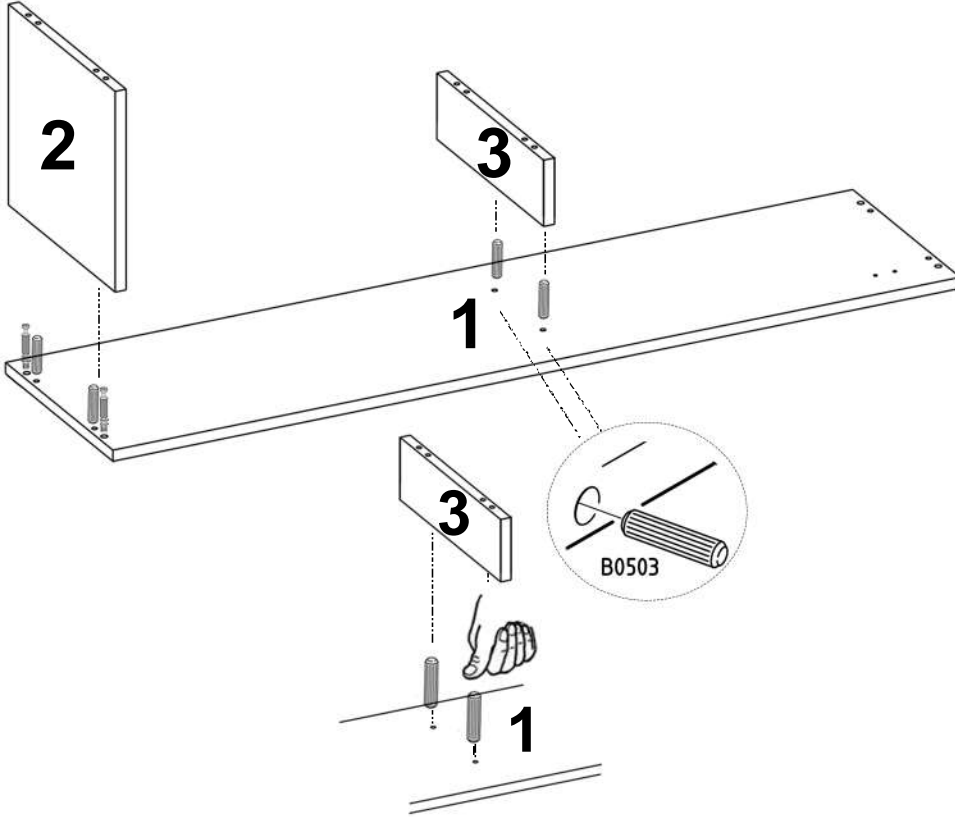
B0501



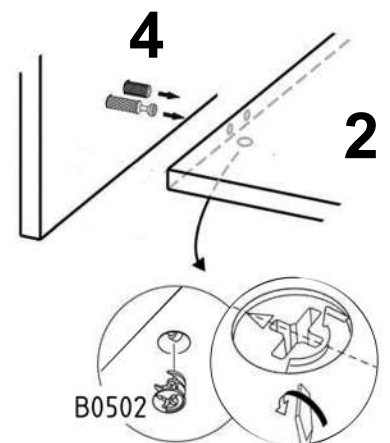
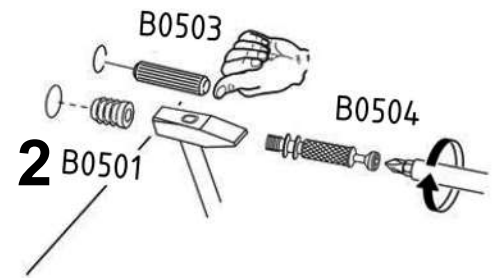
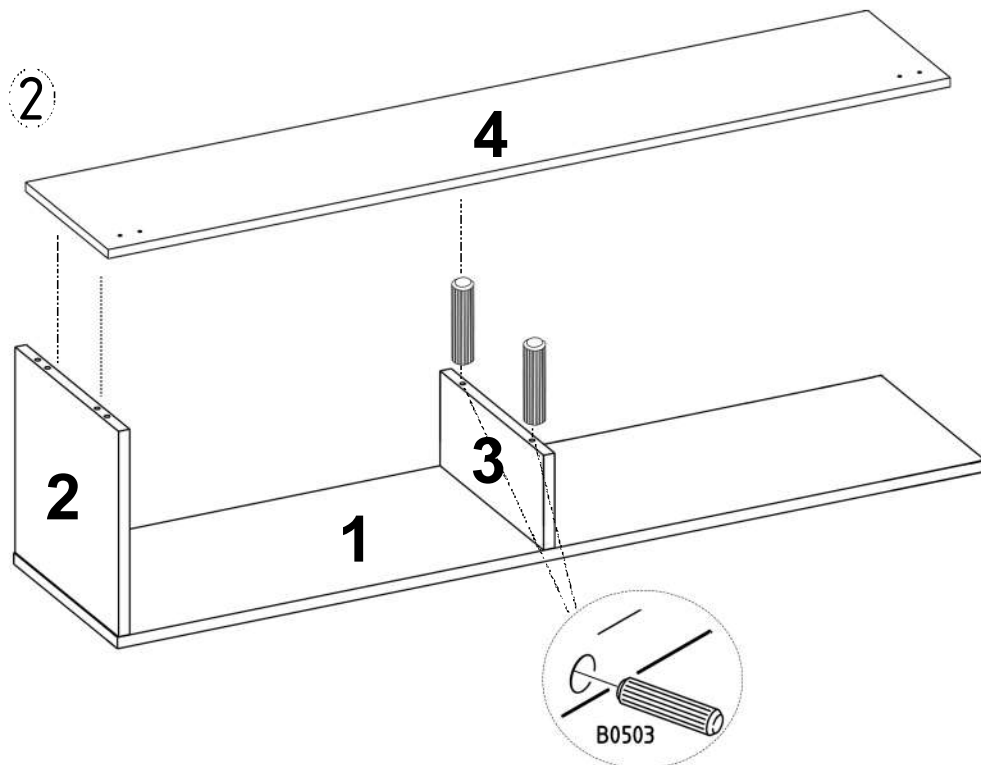
x4



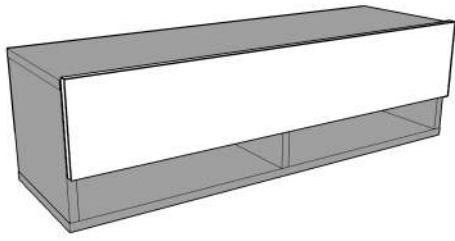
1



2



3



B0502



x8

B0503



x8

B0504

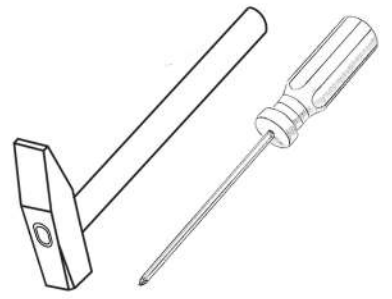


x8

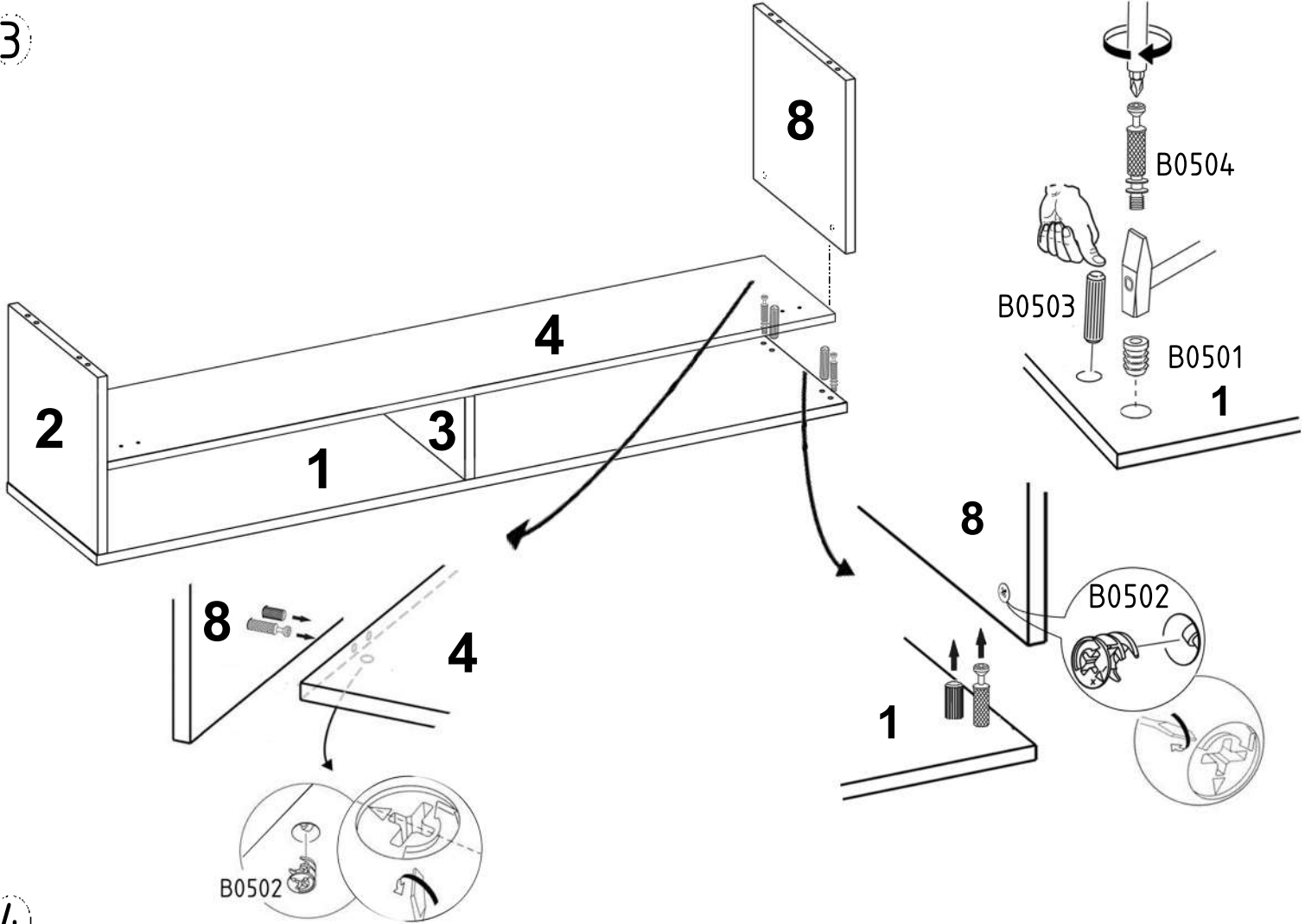
B0501



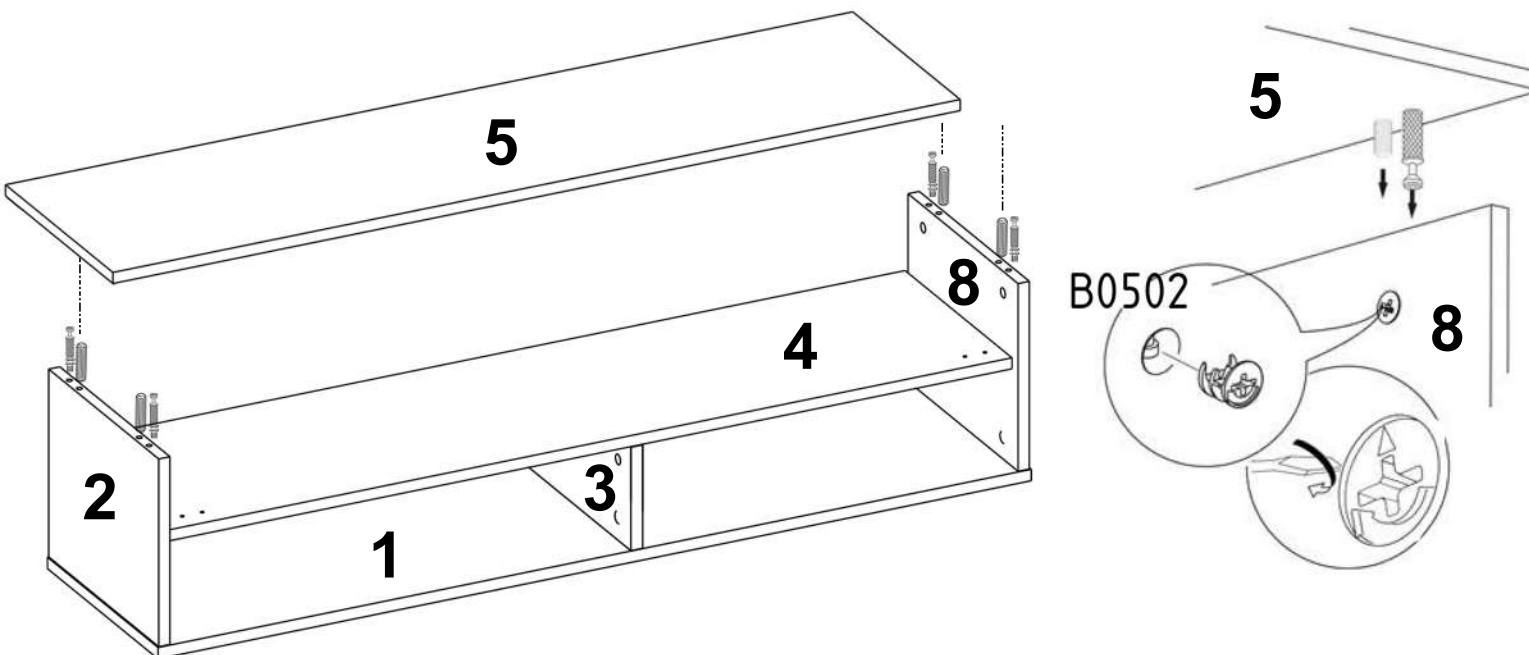
x8



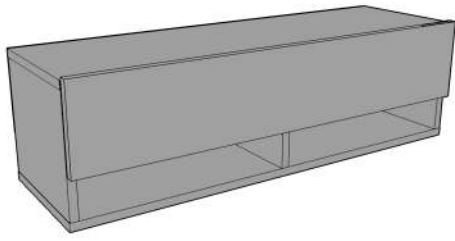
3



4



4



B0101



x2

B0105



x2

B0301

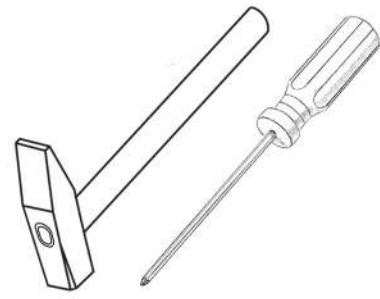


x16

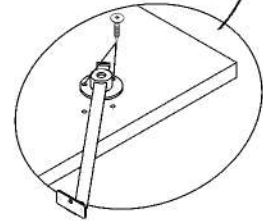
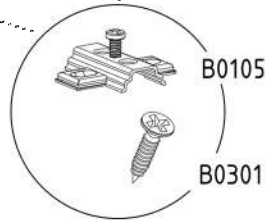
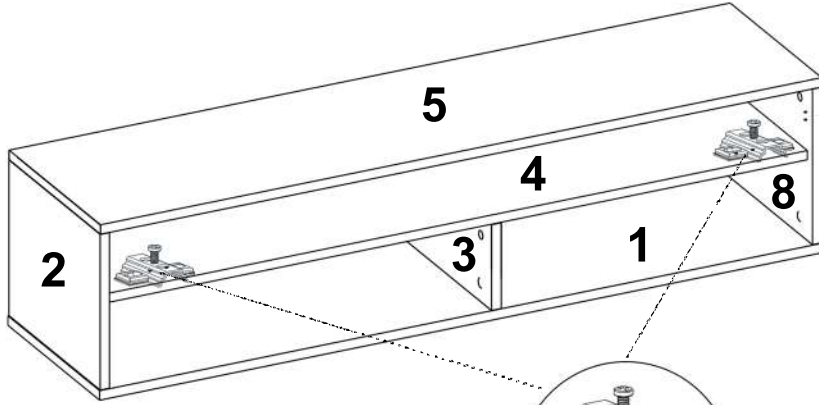
B1102



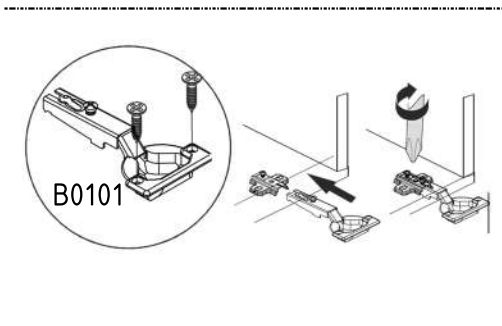
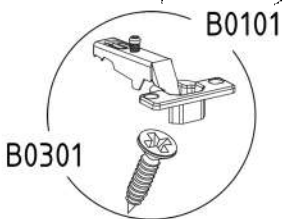
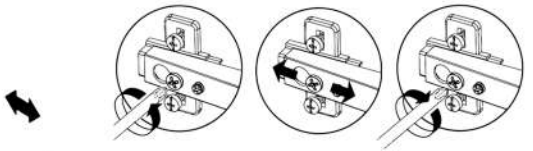
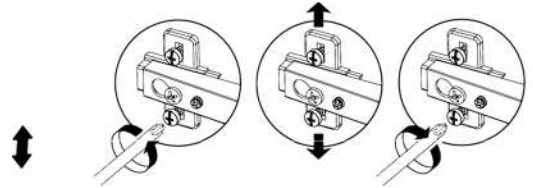
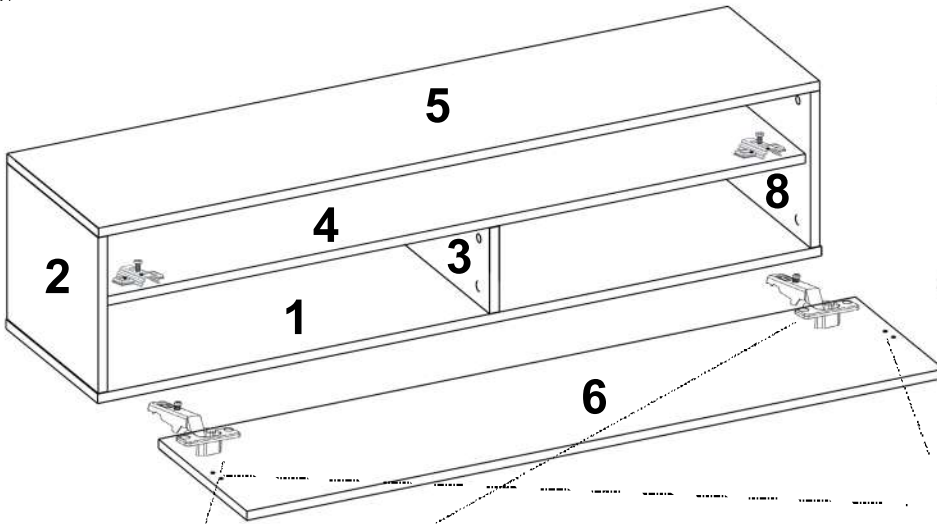
x2

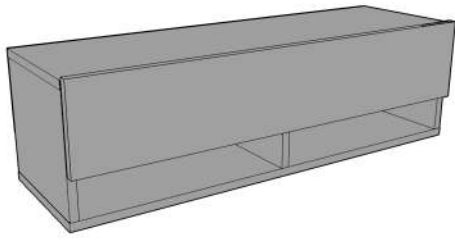


5

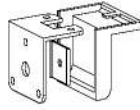


6



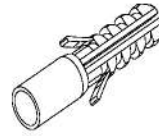


B1303



x5

B0317



x5

B0301

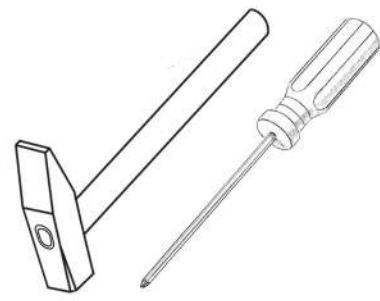


x10

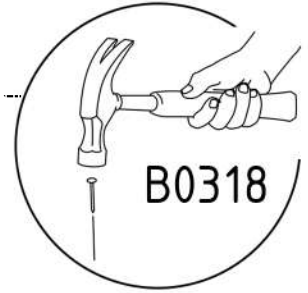
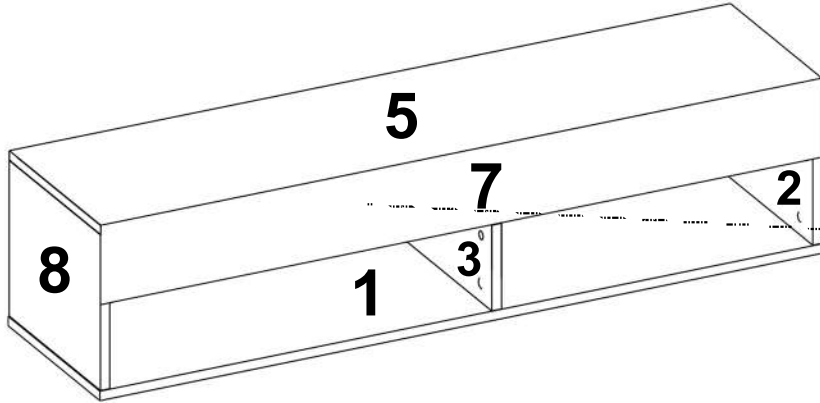
B0306



x5

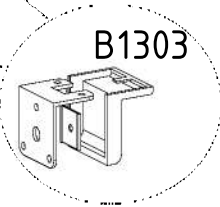
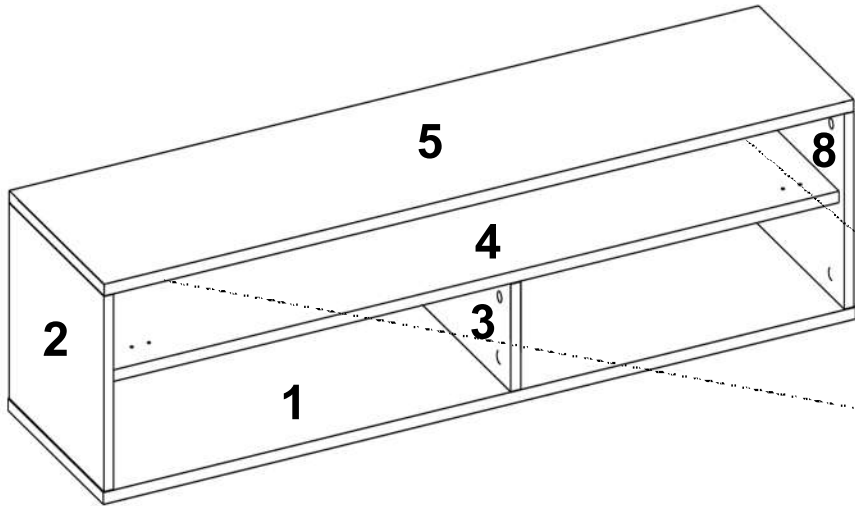


7

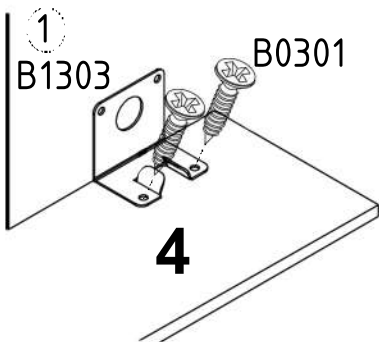


B0318

8



B1303

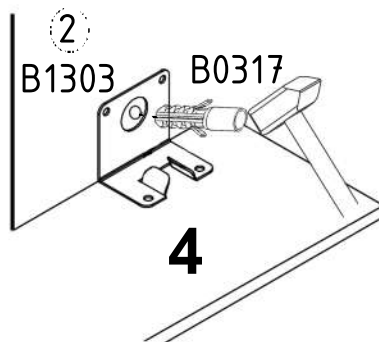


1

B1303

B0301

4

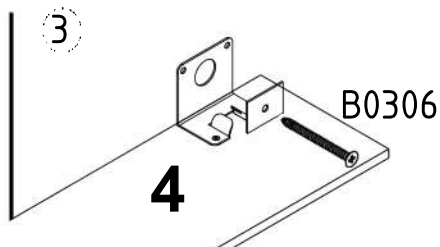
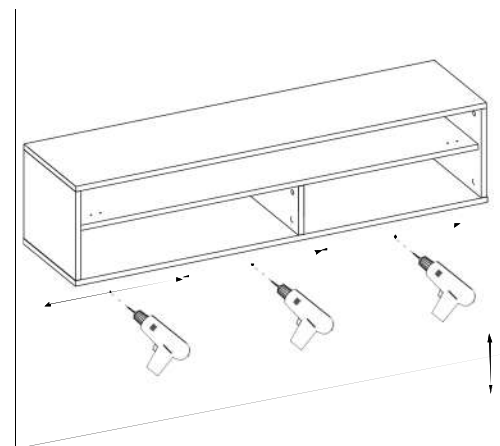


2

B1303

B0317

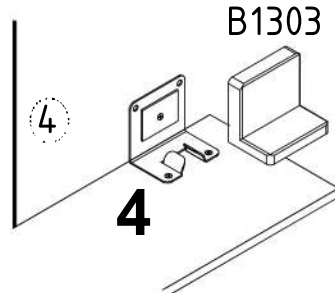
4



3

B0306

4



4

B1303

6