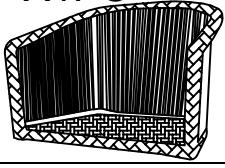
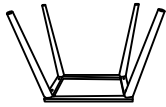


# ASSEMBLING INSTRUCTION

1 X1PC



2 X1PC



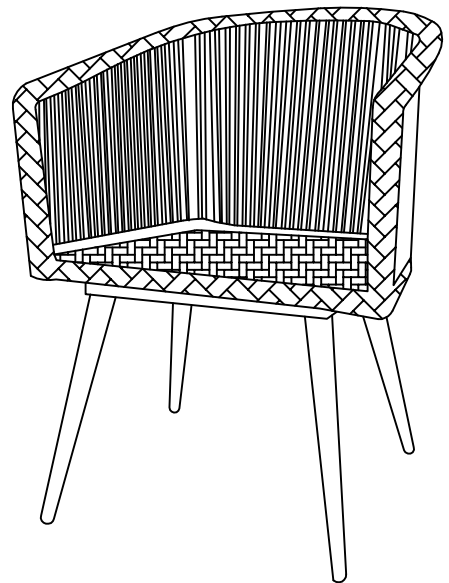
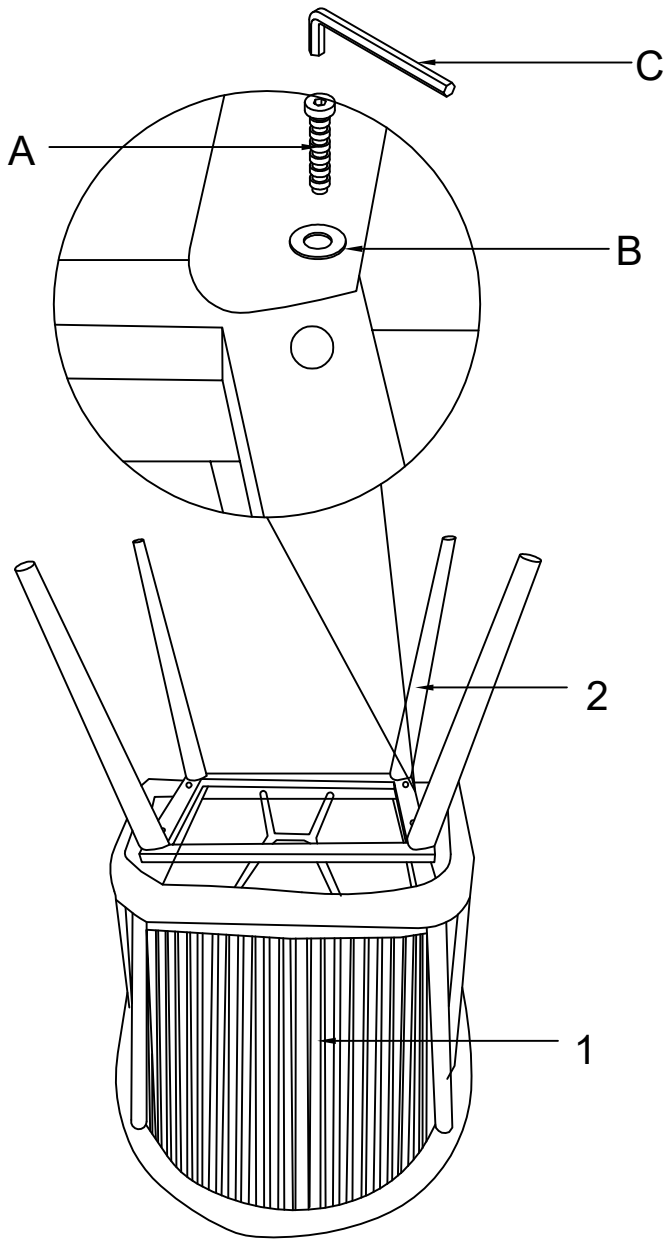
A X4PCS



B X4PCS

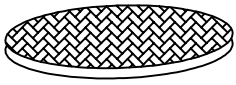


C X1PC



# ASSEMBLING INSTRUCTION

1 X 1 PC



2 X 4 PCS



3 X 1 PC



A X 8 PCS



B X 8 PCS



C X 1 PC



D X 4 PCS

