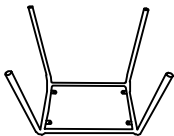


# ASSEMBLING INSTRUCTION

1 X1PC



2 X1PC



A X4PCS



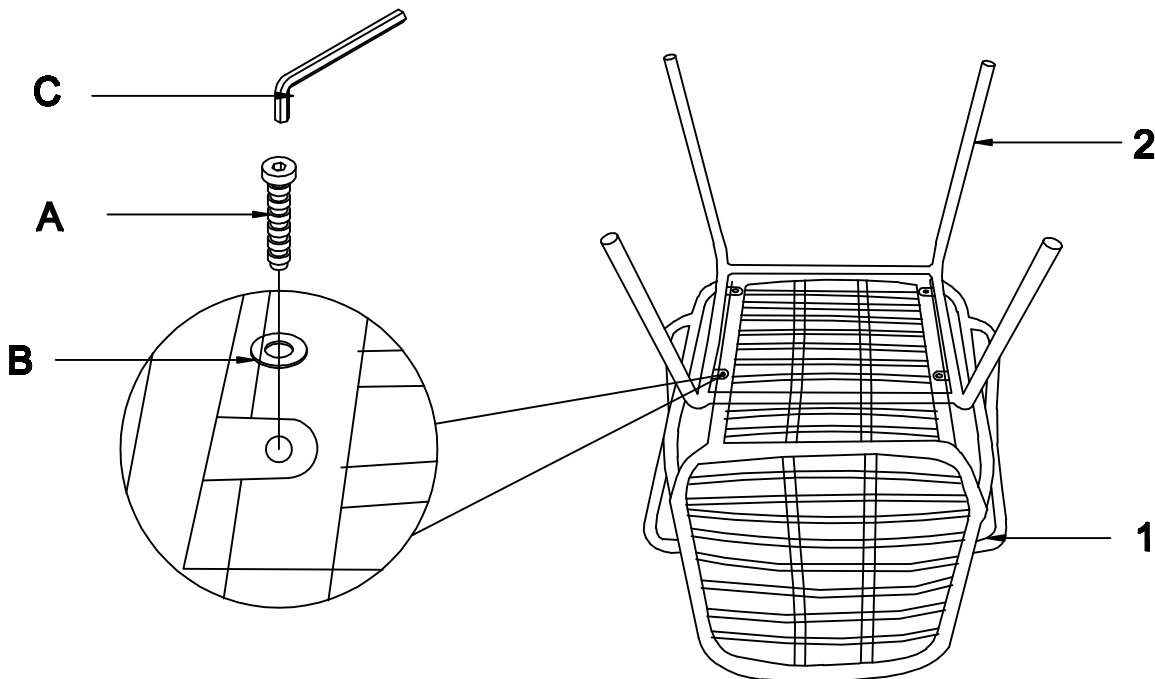
B X4PCS



C X1PC



1



2

