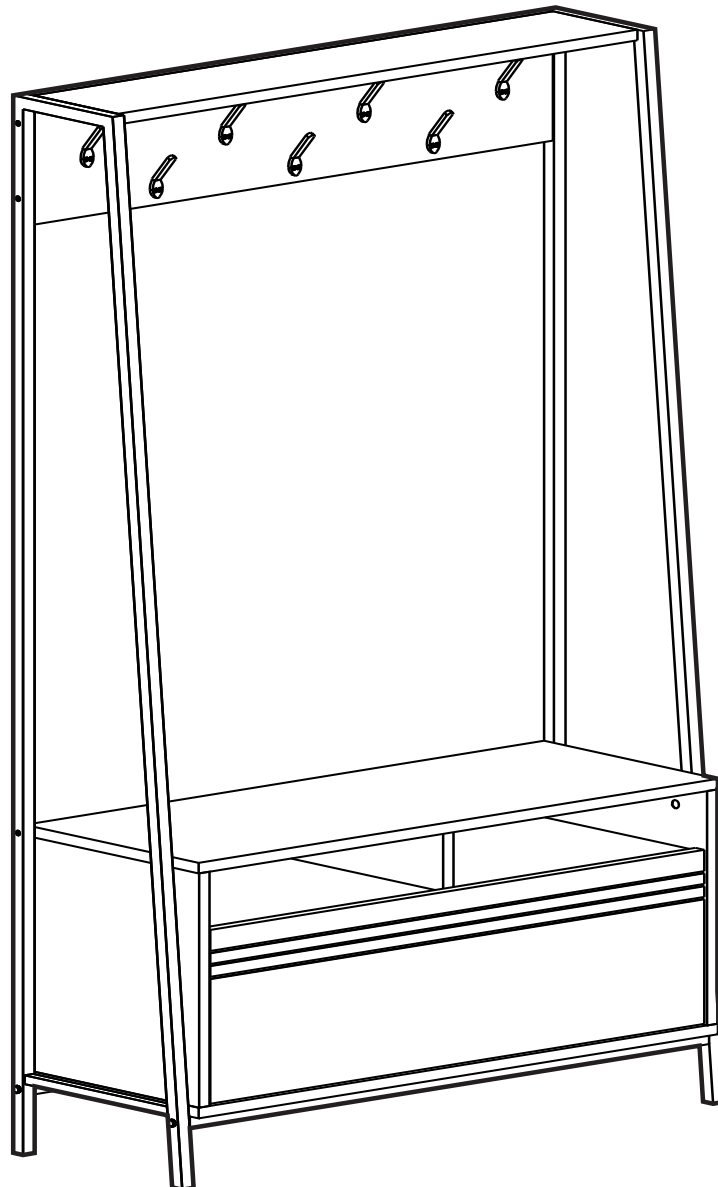


120-000381

Hall Tree

Assembly Instruction





Valued Customer,

We design and carefully manufacture our products for our customers, We wish that our customers to have fun while they are doing their new furniture

The product you just purchased was subjected to all sorts of tests and controls before sending out to you.

Hope you enjoy your new furniture.



Before starting, please check all components and accessories according to the provided list. If you purchased more than one product, to prevent confusion, be sure that you completed the first product, then start the next one. Please make sure that you select correct numbered part and use specific connector to assemble. We do not recommend any modification or rotation in assembly. Please follow the manual carefully.



Furniture parts are going to several manufacturing procedures. During this process, parts can have little dust or marks. Please clean the parts with damp cloth before assembly to get the best result. Usual cleaning would be suffice.



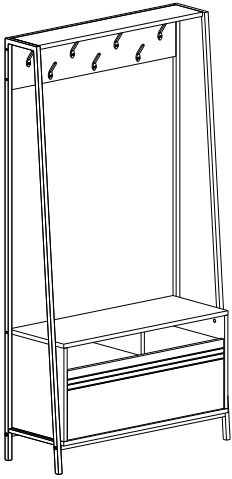
Although all products are carefully manufactured and packed, sometimes we experience damage during transportation. In such cases, please check the damaged part, note the part number written on the part and do not hesitate to contact us



Do not use your furniture for out of purposes. If you would like to use it out of purpose or would like to do some modification or rotation, please contact us for more details.

Please do not expose your furniture with excessive heat, cold and humidity because product can be affected negatively.

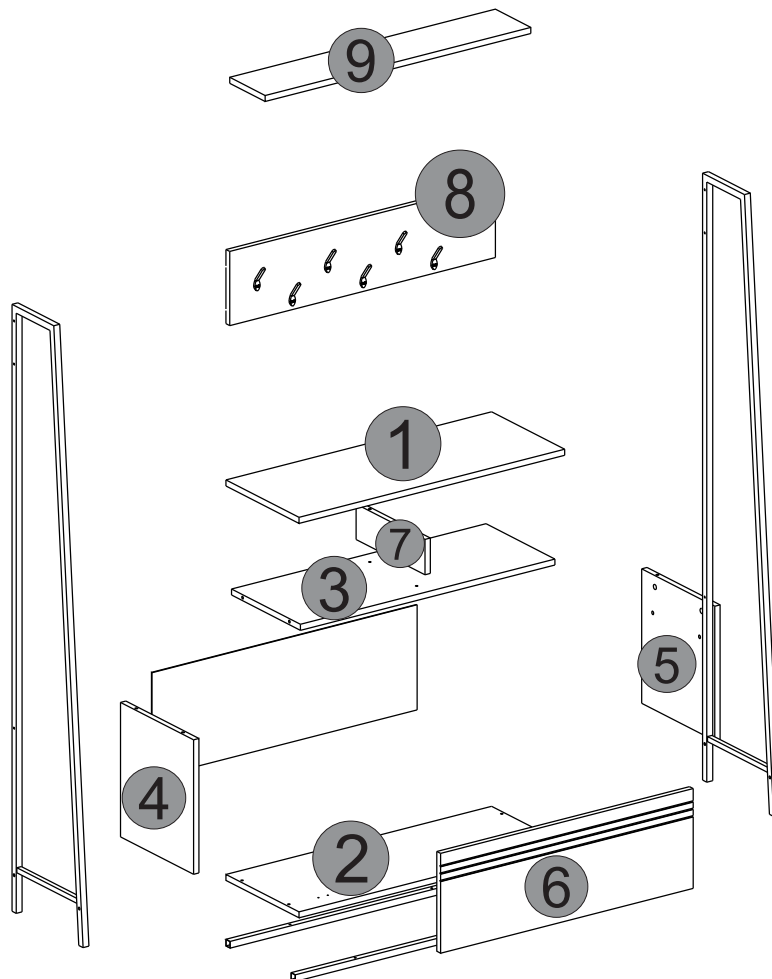
If you need your product to mount on the wall, Please use suitable rawlplug for your wall type. We send you rawlplugs suitable for concrete and brick walls.

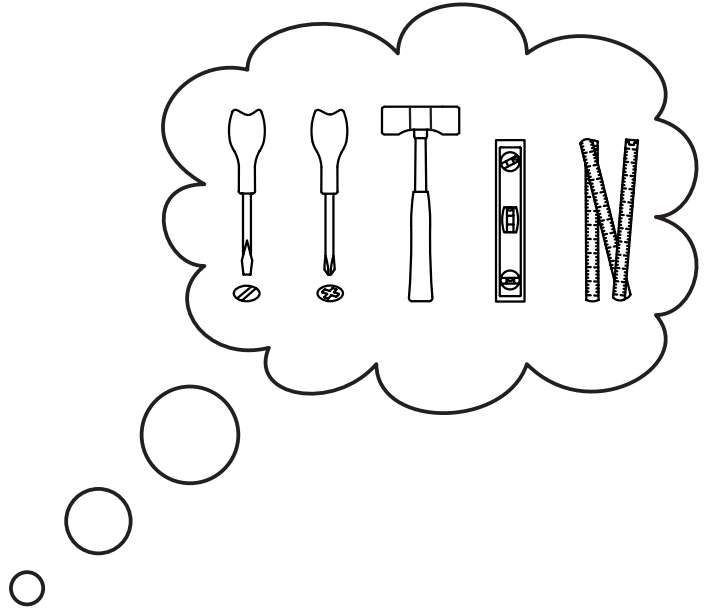
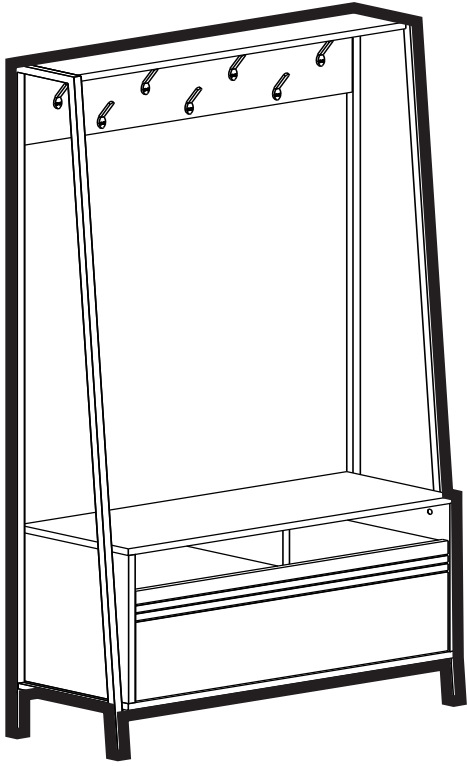


Disassembled Parts

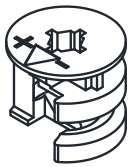
Part#1	1x
Part#2	1x
Part#3	1x
Part#4	1x
Part#5	1x
Part#6	1x
Part#7	1x
Part#8	1x
Part#9	1x

Total 9x



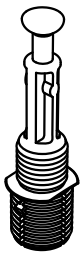


Tools & Installation Components



A02 15x14 head

10x



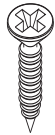
A03 Q10 screw

10x



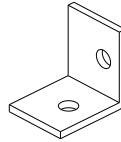
A18 3,5x35 Screw

4x



A19 3,5x18 Screw

9x



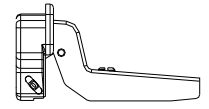
L01 L-bracket

1x



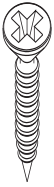
A28 nail

10x



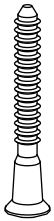
C01 inset hinge

2x



A21 3,5x25 Screw

14x



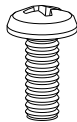
A17 6x50 screw

9x



A23 4X50 Screw

9x



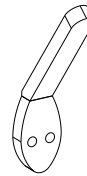
M3 m6x30 bolt

4x



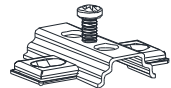
D1 4x40 Rawlplug

1x



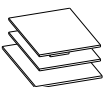
mtd-094 Hanger

7x



C04 Pivot

2x

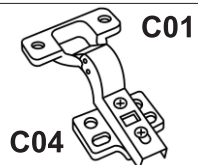


20x20 plastik

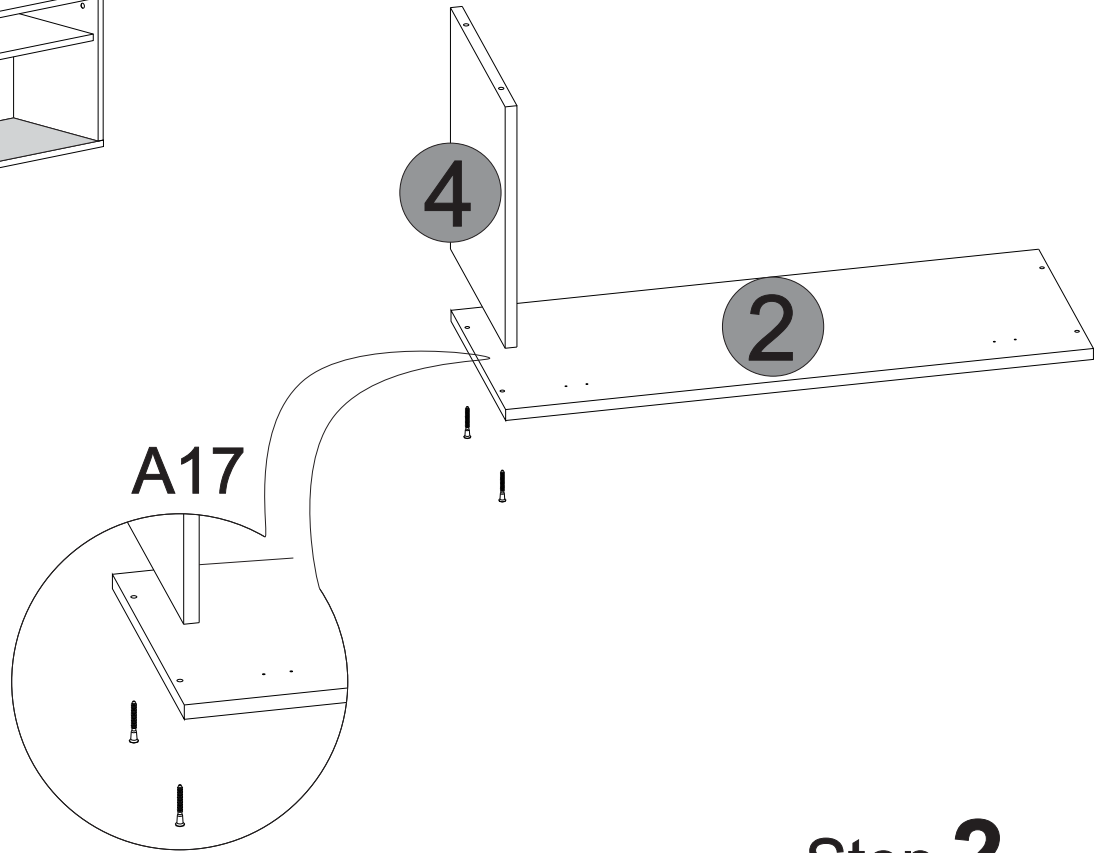
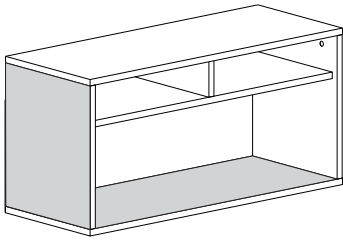
4x



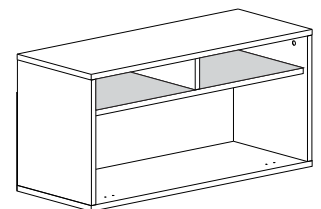
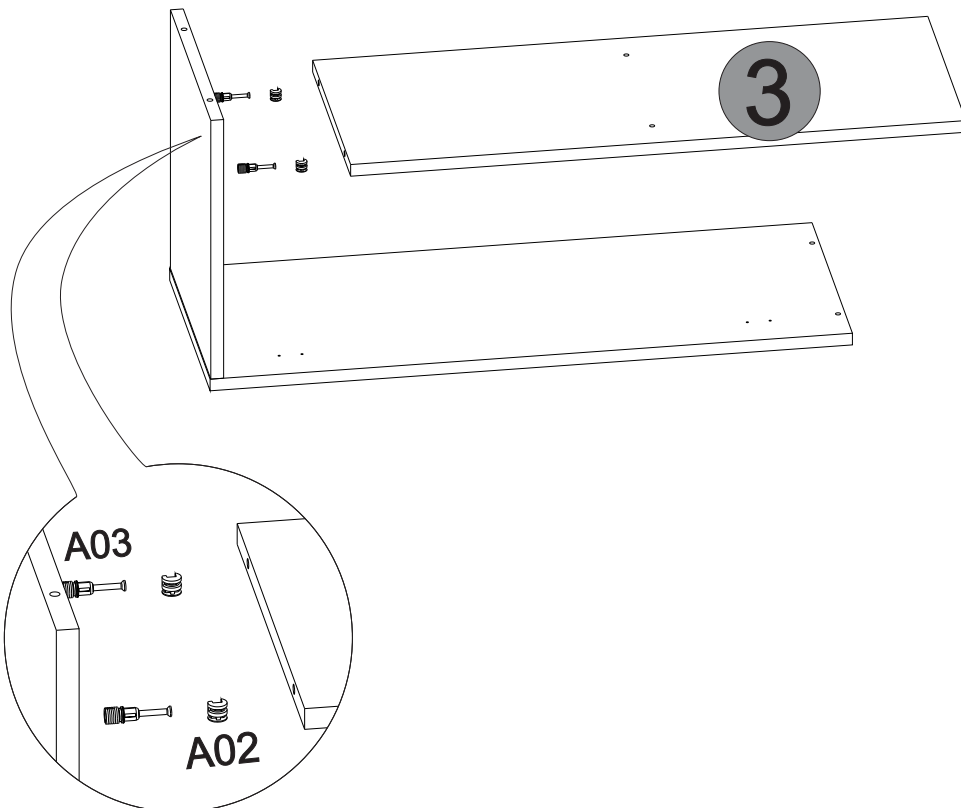
Please be aware that C01(bracket) and C04(pivot) parts may come as attached together.



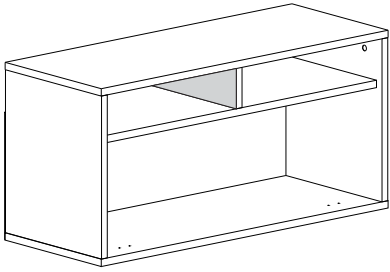
Step 1



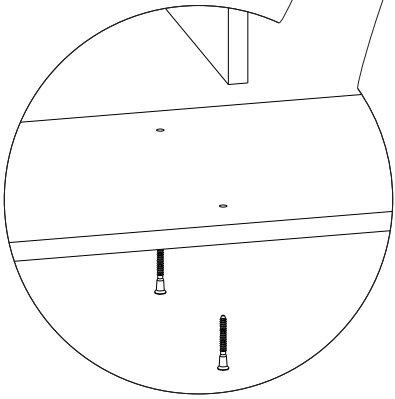
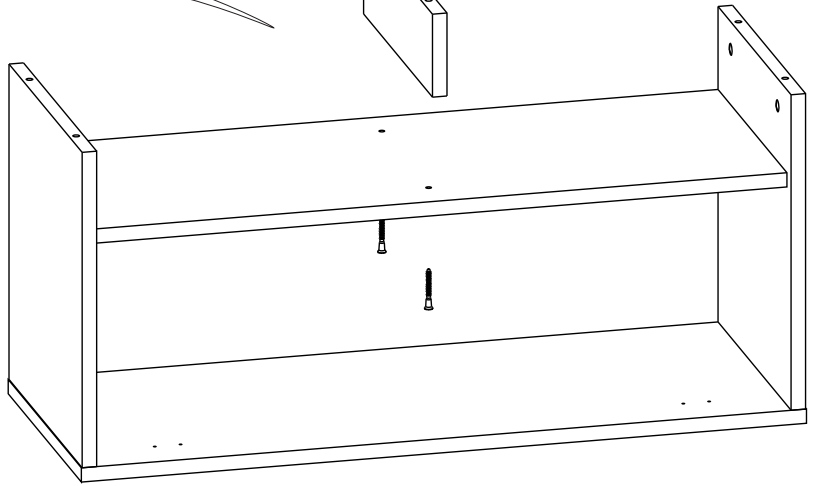
Step 2



Step 3



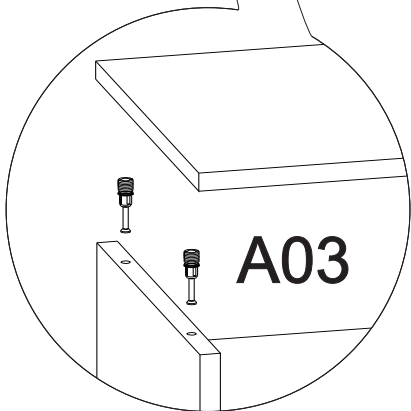
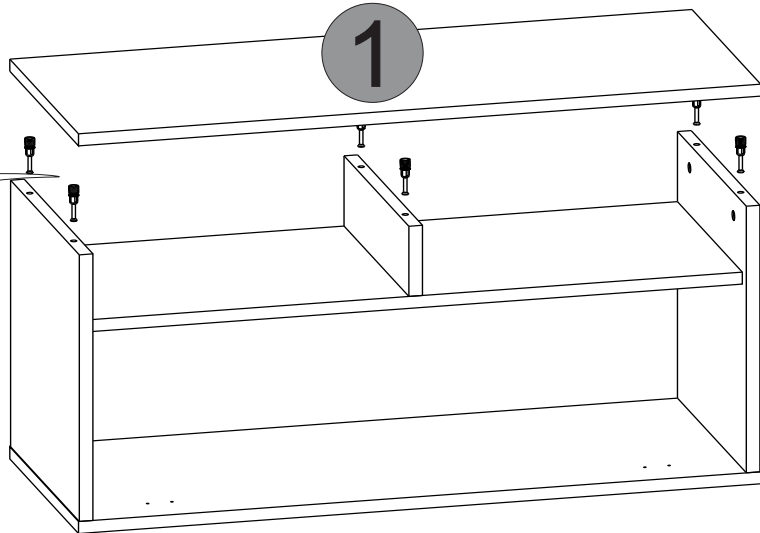
7



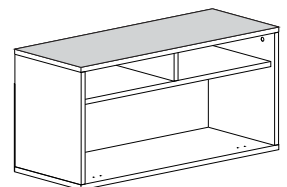
A17

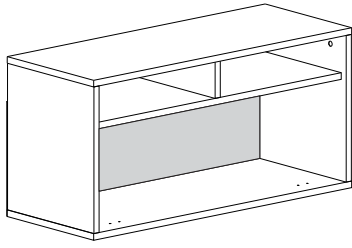
Step 4

1

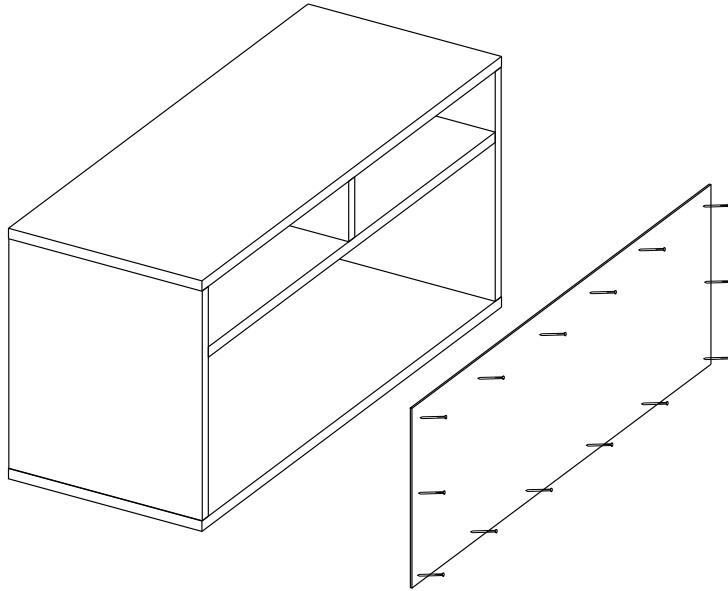


A03

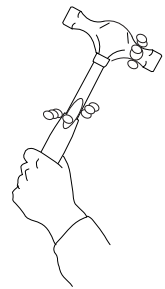




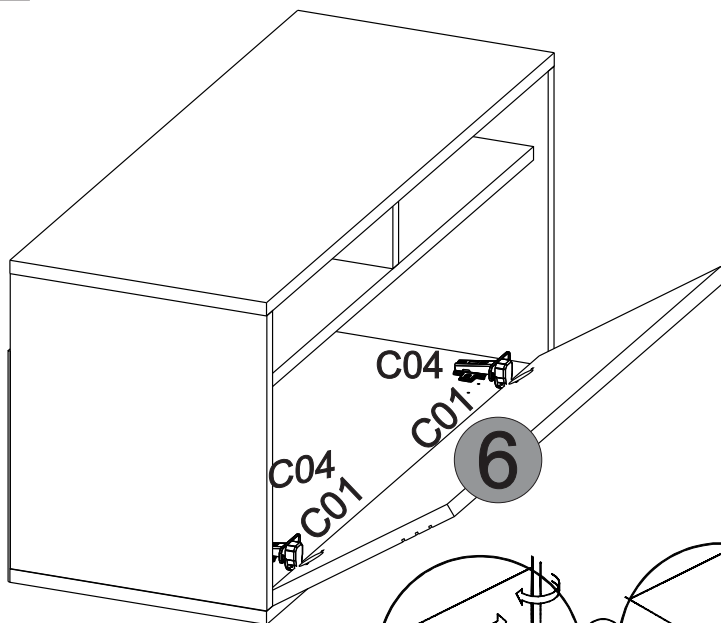
Step 5



A28



Step 6

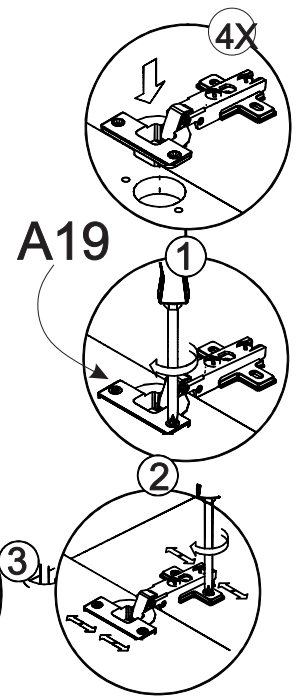


C04

C04

C07

6



A19

4X

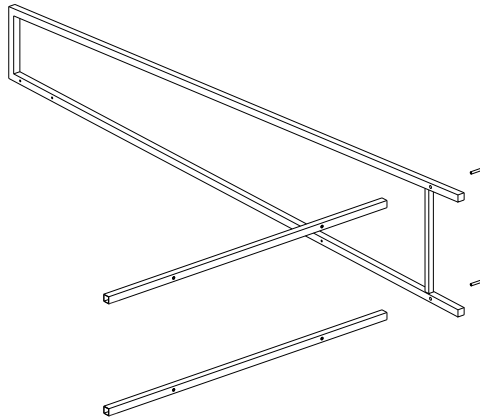
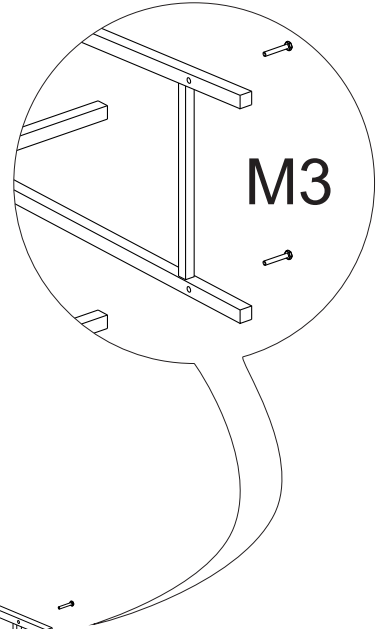
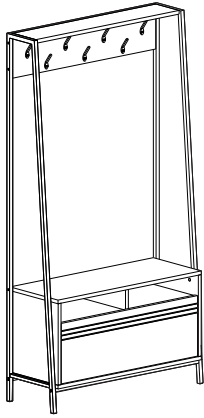
1

2

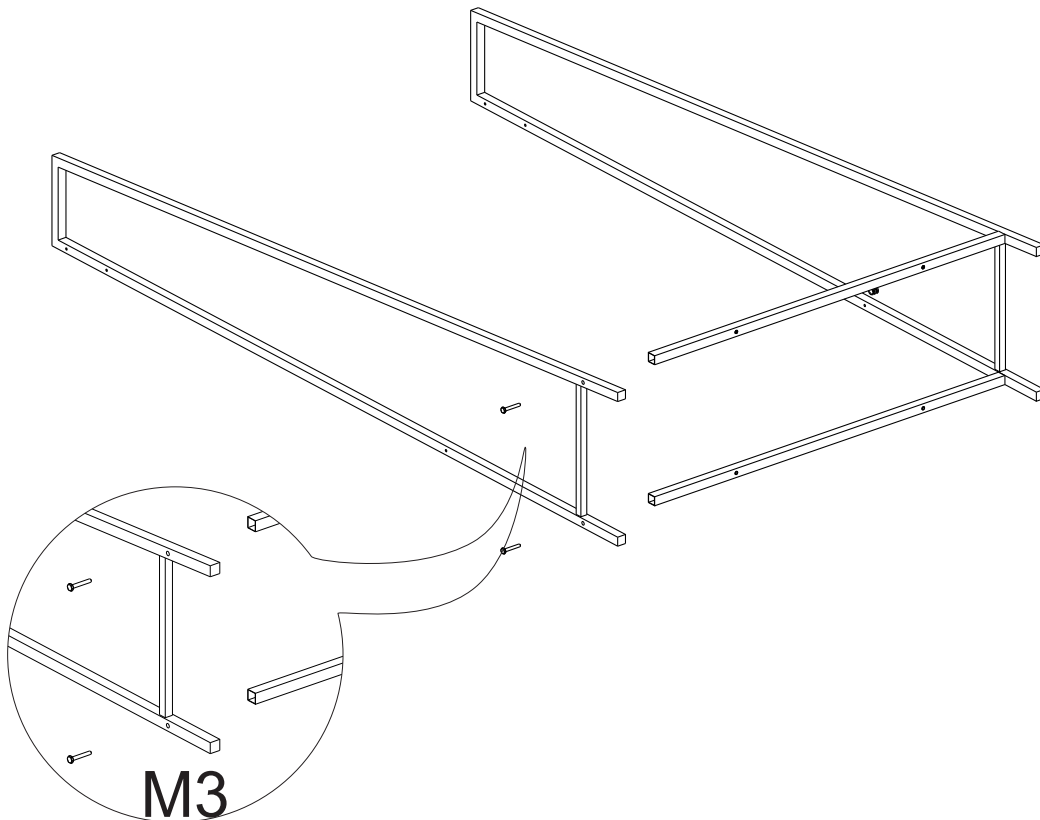
3

4

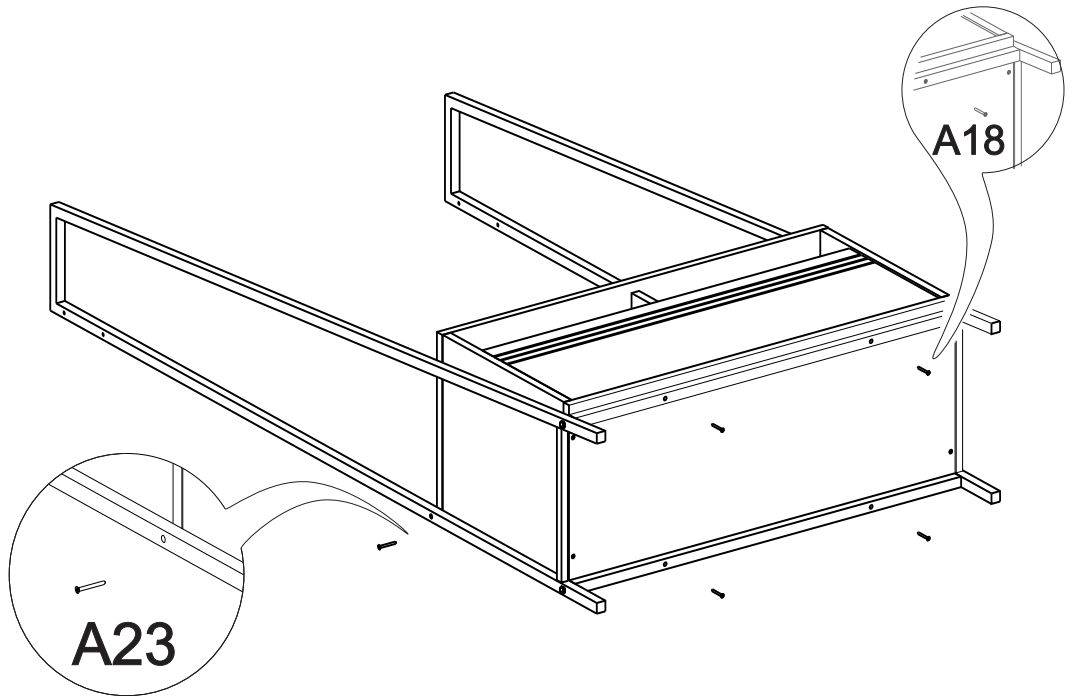
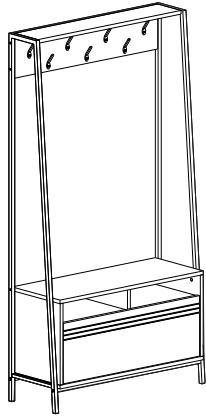
Step 7



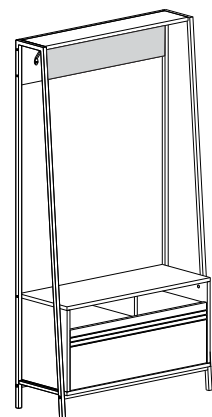
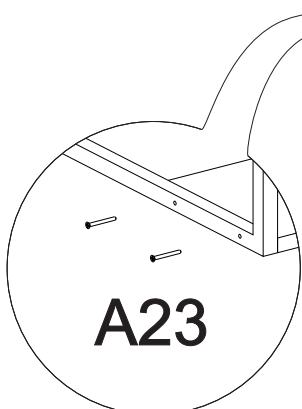
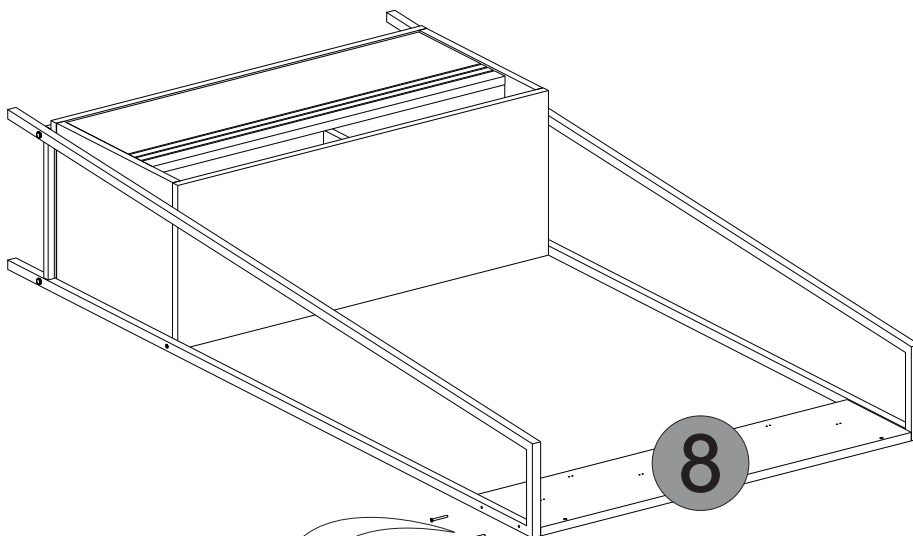
Step 8



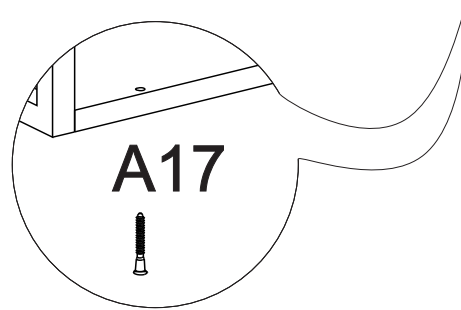
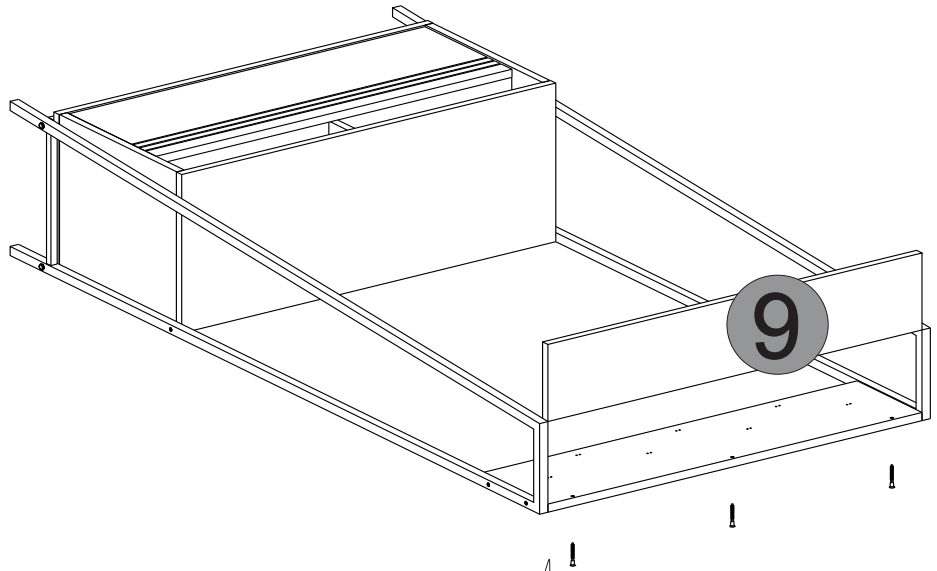
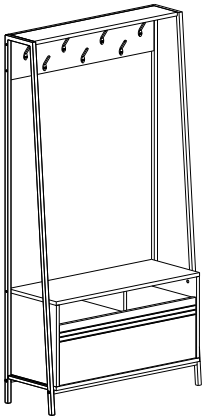
Step 9



Step 10



Step 11



Step 12

