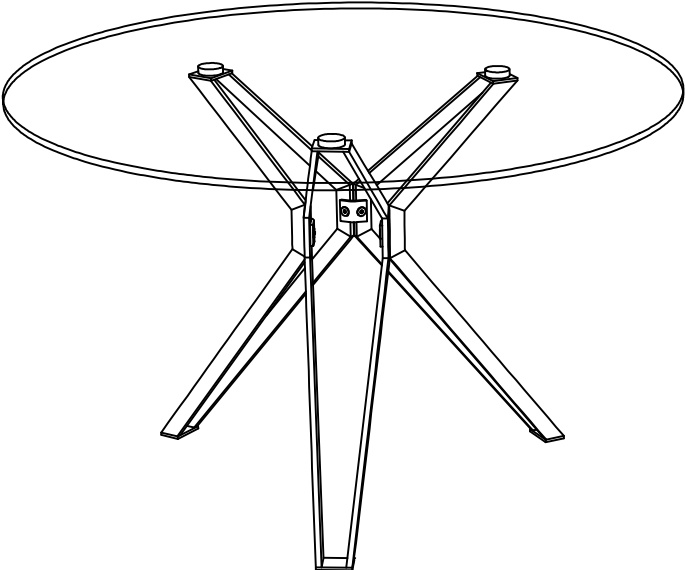
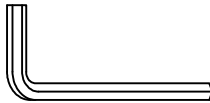
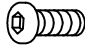
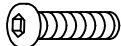


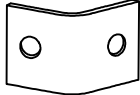


ASSEMBLY INSTRUCTION

	A		x1
	B		x6
	C		x3
	D		x3
	E		x3
	F		x3

