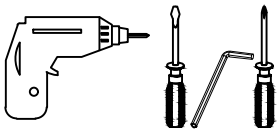


Assembly Drawing

Pakketo code:069-000039

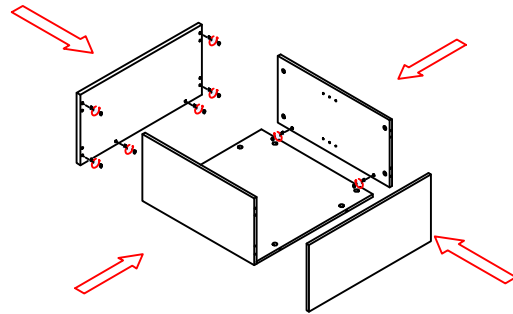
Size:800X400X800

Tools

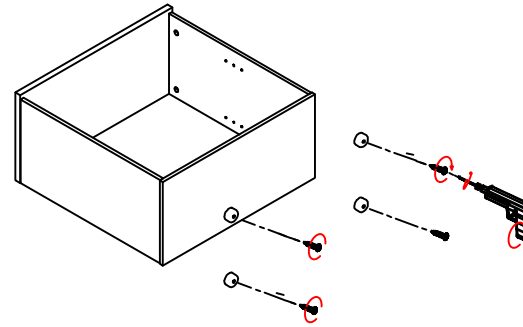


Connecting Parts

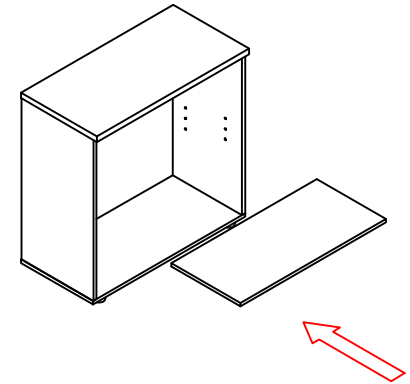
A		16	G		20
B		9	H		4
C		2	J		4
D		1	K		
E		1	L		
F		4	M		



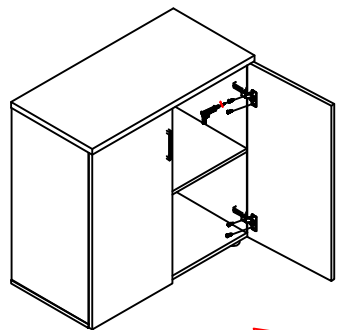
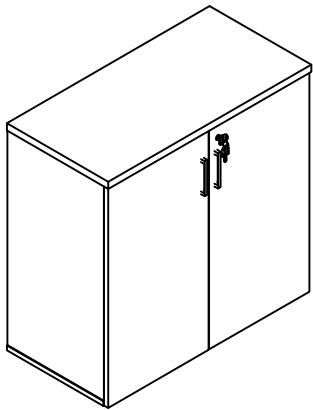
1



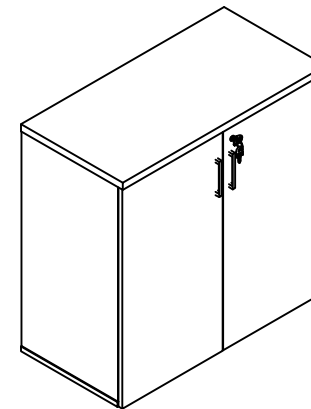
2



3



4



5