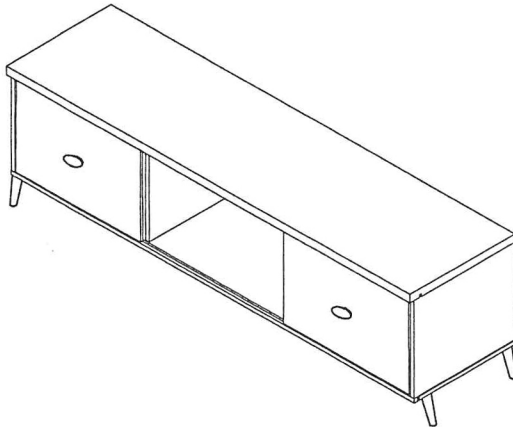


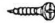







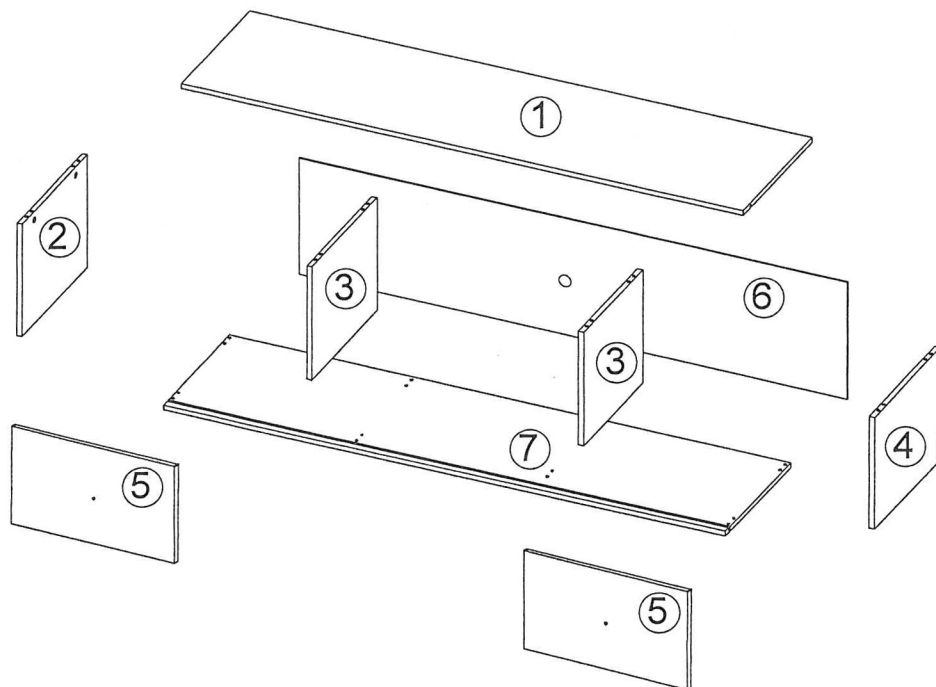
# Assembly Instruction

Model : Firenze TV Unit



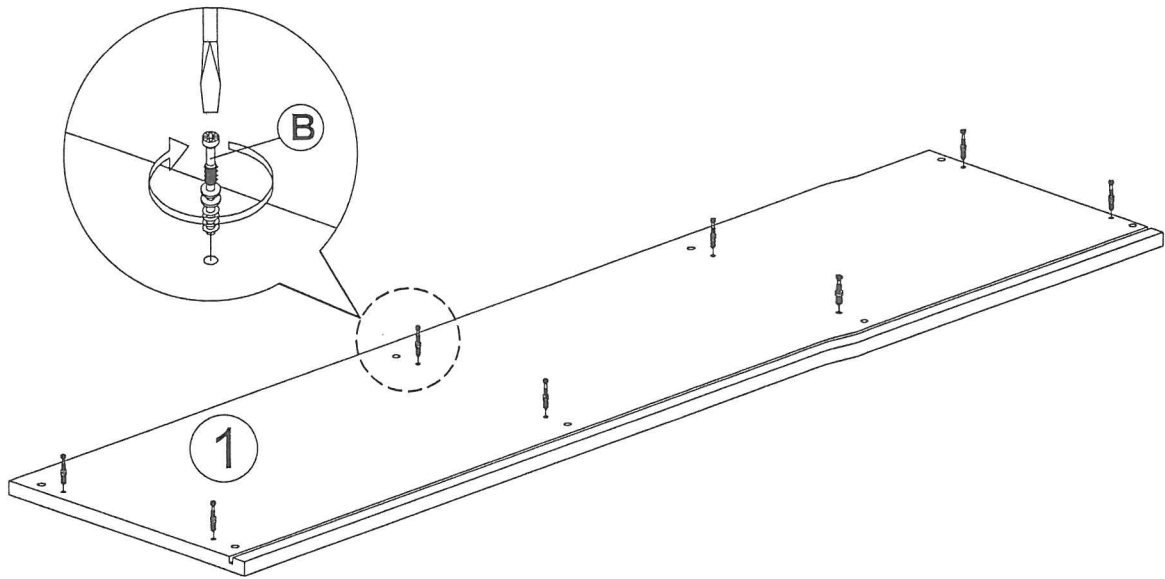
Hardware List			
No.	SHAPE	DESCRIPTION	Qty.
A		8x25mm Dowel	16Pcs
B		15MM Myfix Minifix	8Sets
C		M3.5x16mm Screw	24Pcs
D		M4x45mm Screw	8Pcs
E		Plastic Leg (100mm)	6Pcs
F		Nail	30Pcs
G		Handle Knod	2Pcs
H		M4x28mm Screw	2Pcs

## Part List

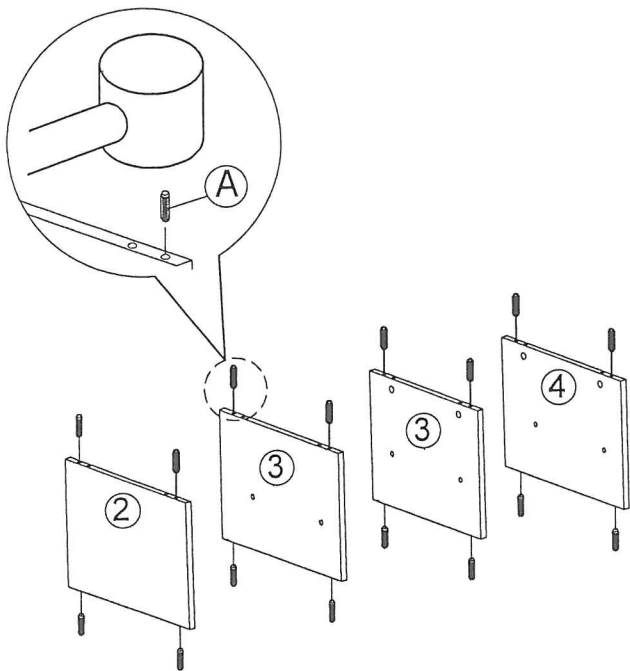


# Assembly Instruction

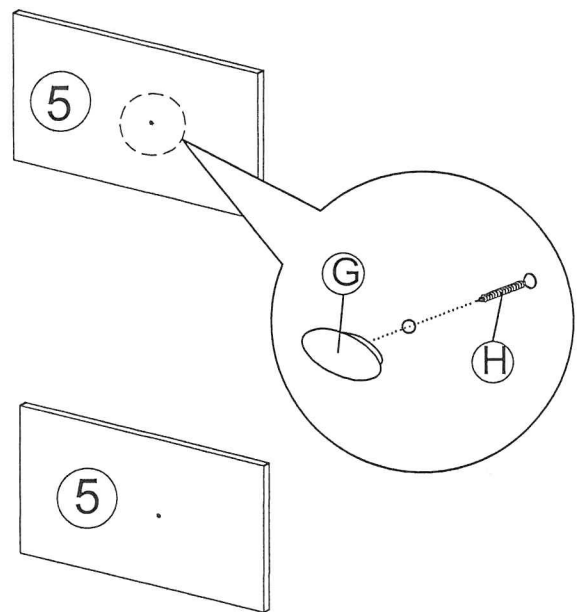
## Step 1



## Step 2

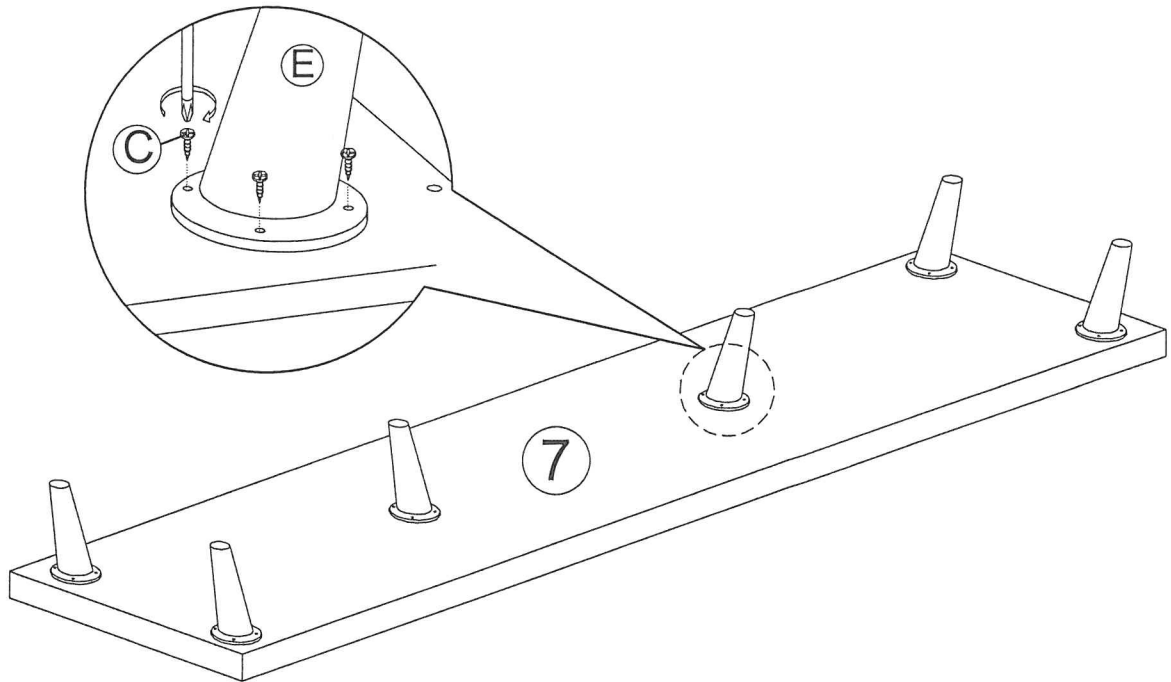


## Step 3

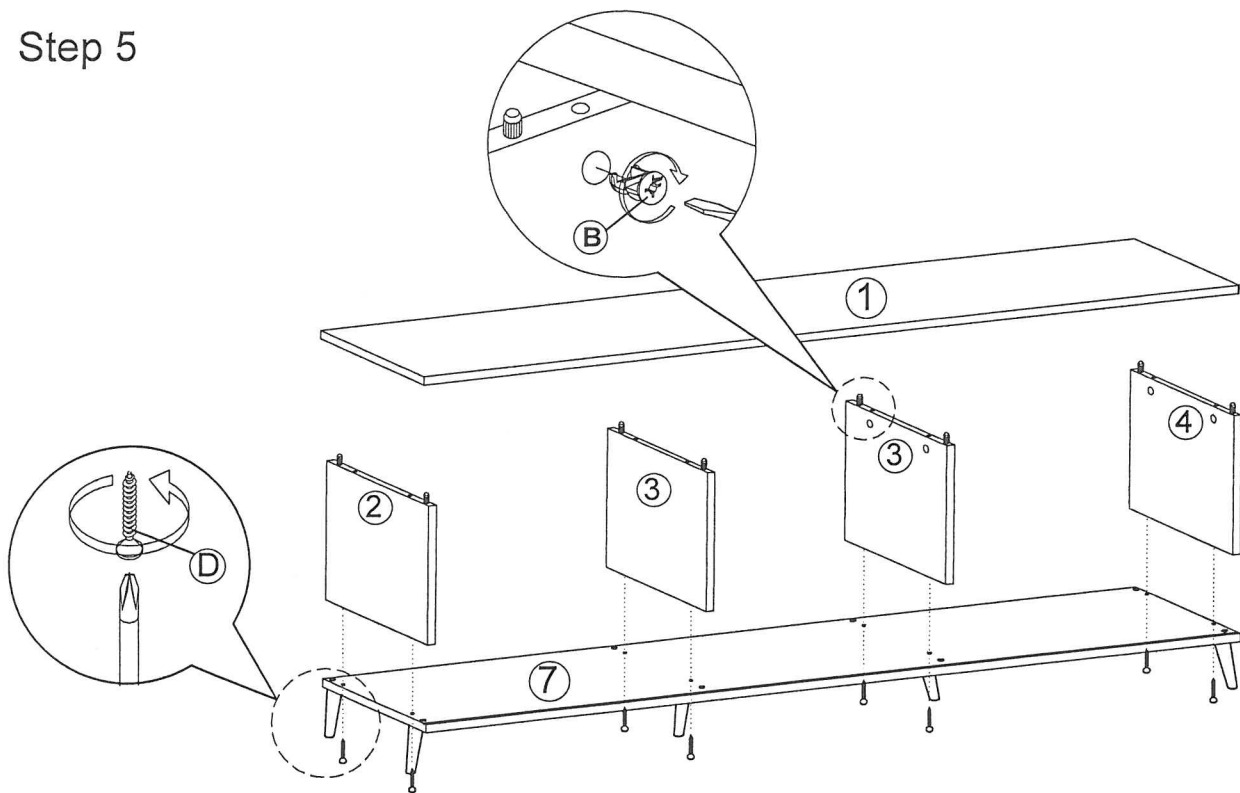


# Assembly Instruction

Step 4

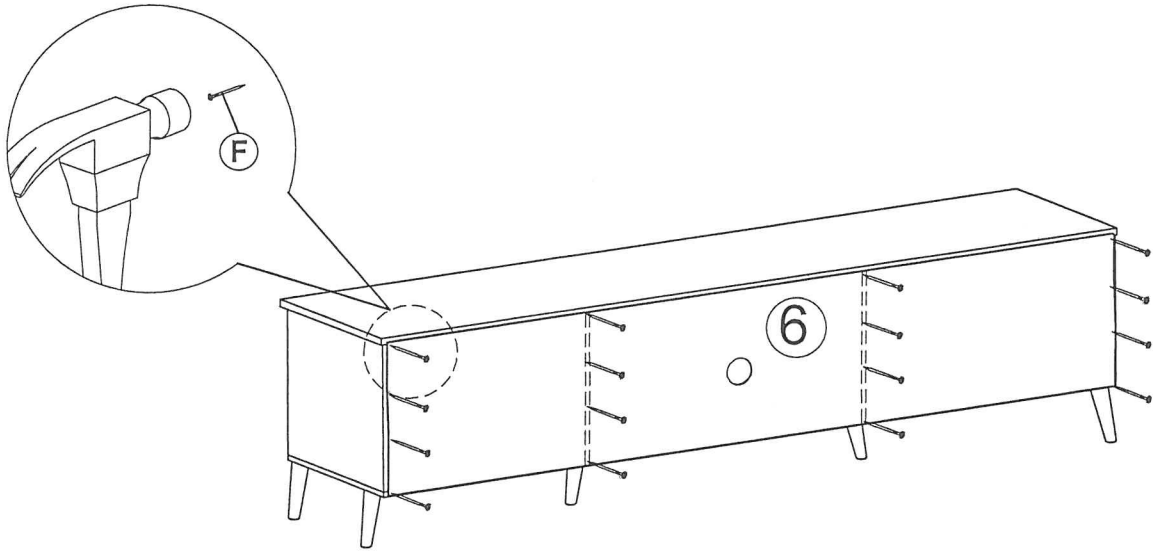


Step 5

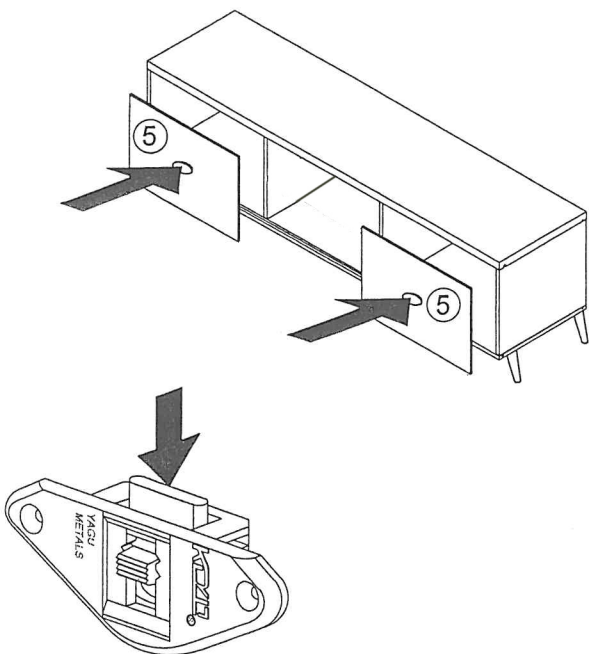


# Assembly Instruction

## Step 6



## Step 7



## Step 8

