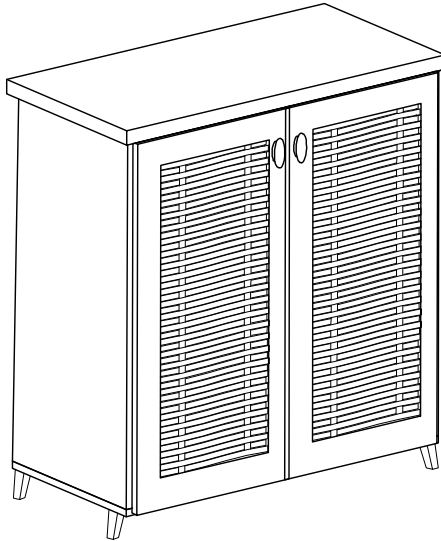


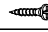
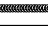






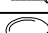
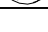


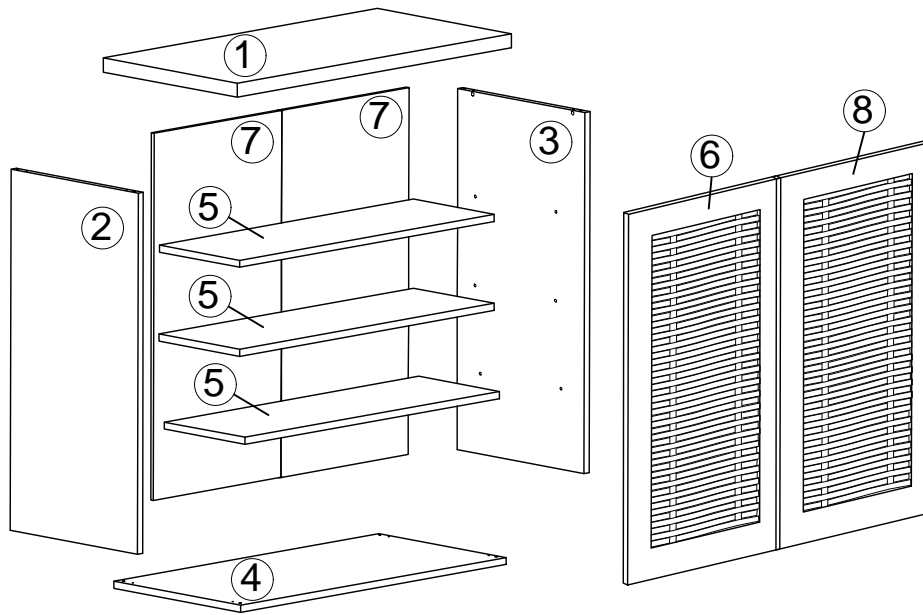
Assembly Instruction

Mantam Shoe Rack



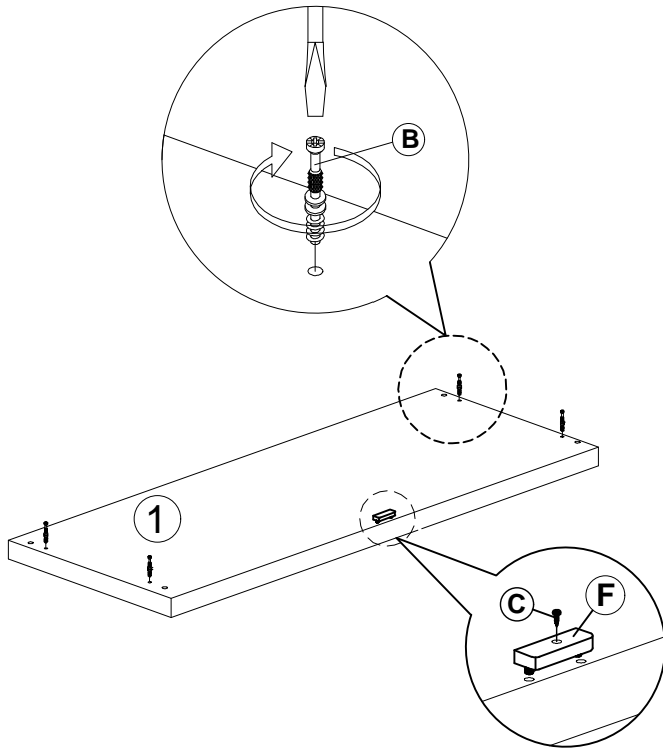
| Hardware List | | | |
|---------------|---|--------------------|-------|
| No. | SHAPE | DESCRIPTION | Qty. |
| A |  | 8x25mm Dowel | 8Pcs |
| B |  | 15MM Myfix Minifix | 4Sets |
| C |  | M3.5x16mm Screw | 41Pcs |
| D |  | M4x45mm Screw | 4Pcs |
| E |  | Nail | 30Pcs |
| F |  | 2 Pin Stopper | 1Pcs |
| G |  | Hinges | 4Pcs |
| H |  | Plastic Leg | 4Pcs |
| I |  | Shelf Support | 12Pcs |
| J |  | Handle Knod | 2Pcs |
| K |  | M4x28mm Screw | 2Pcs |
| L |  | Sticker | 2Pcs |

Part List

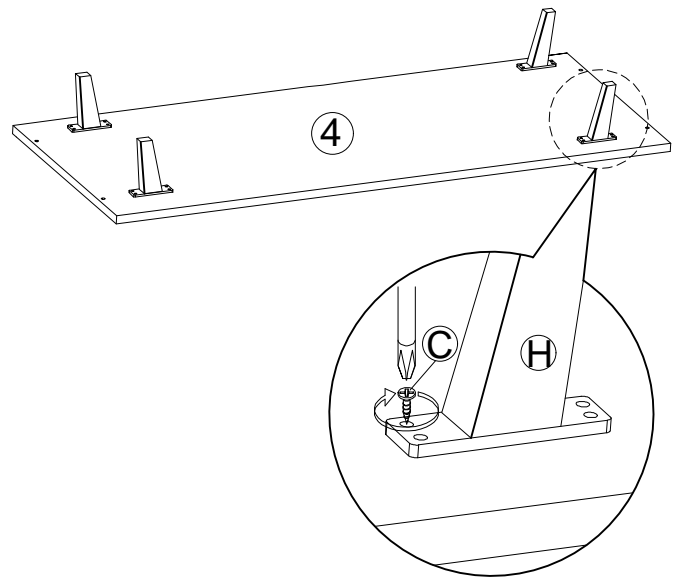


Assembly Instruction

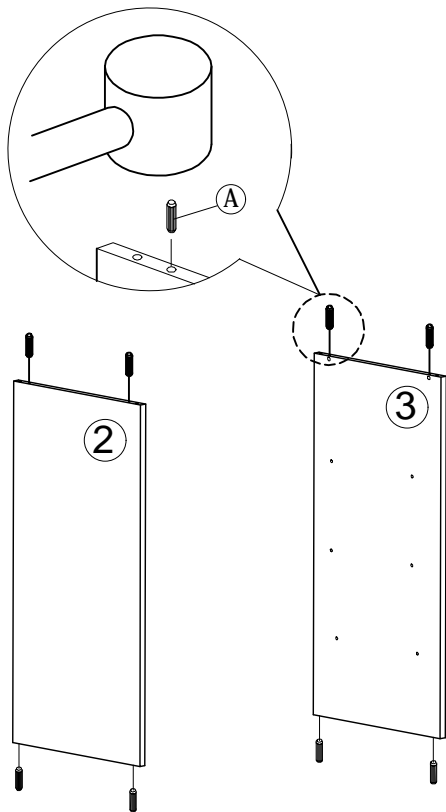
Step 1



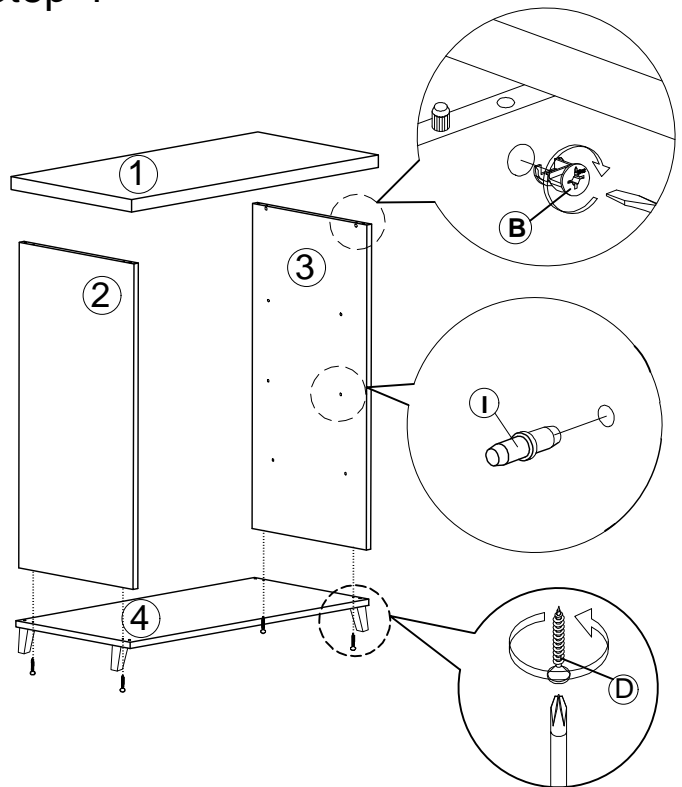
Step 2



Step 3

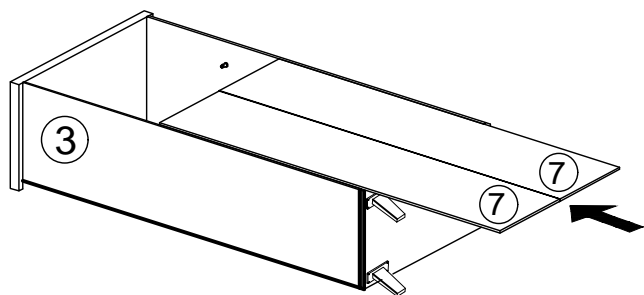


Step 4

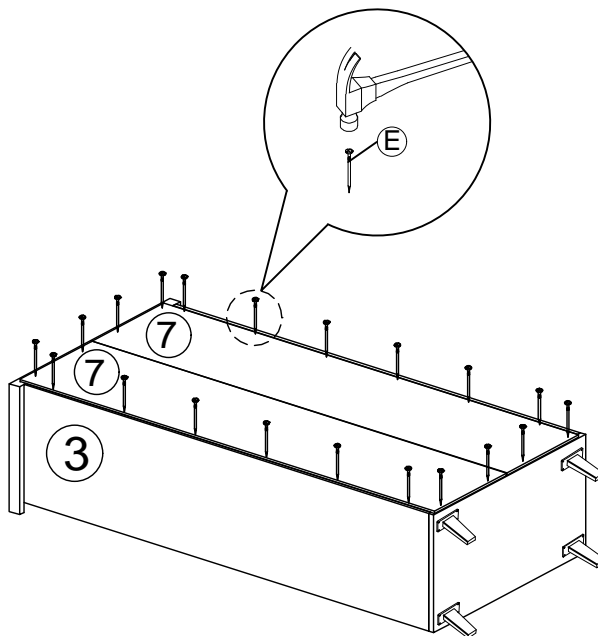


Assembly Instruction

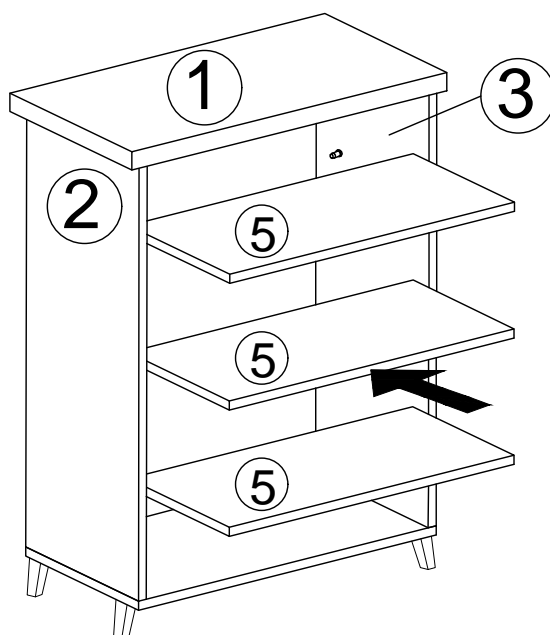
Step 5



Step 6

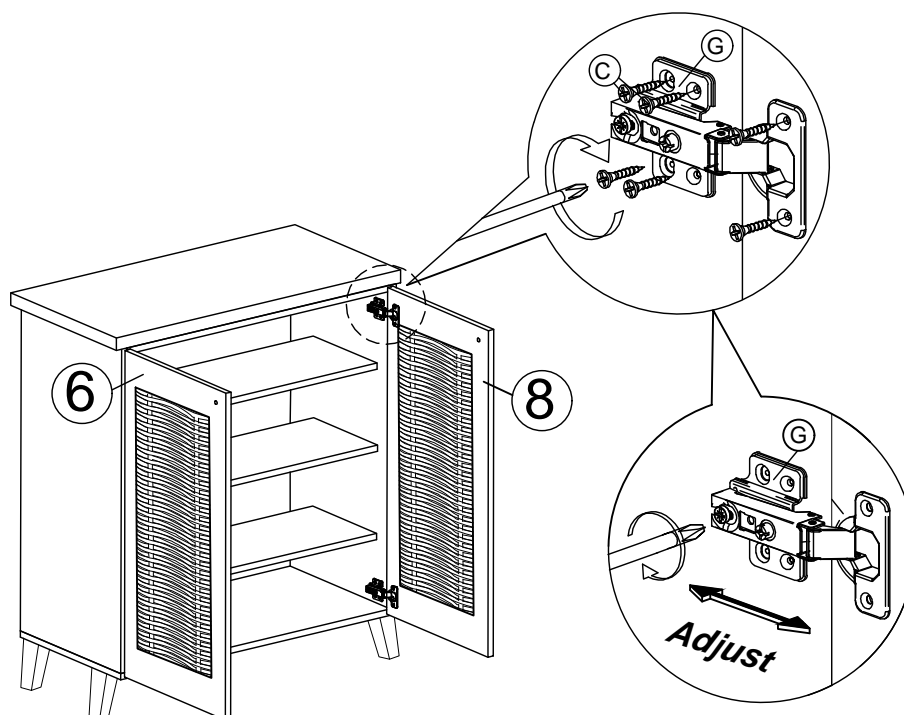


Step 7



Assembly Instruction

Step 8



Step 9

