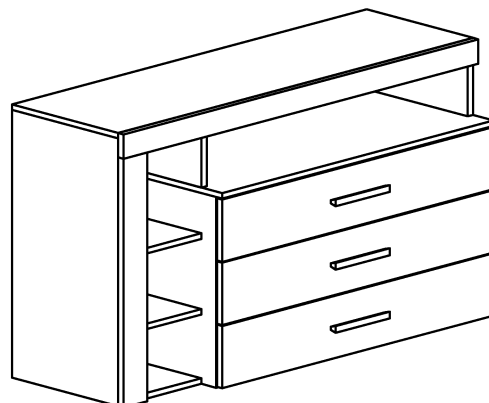
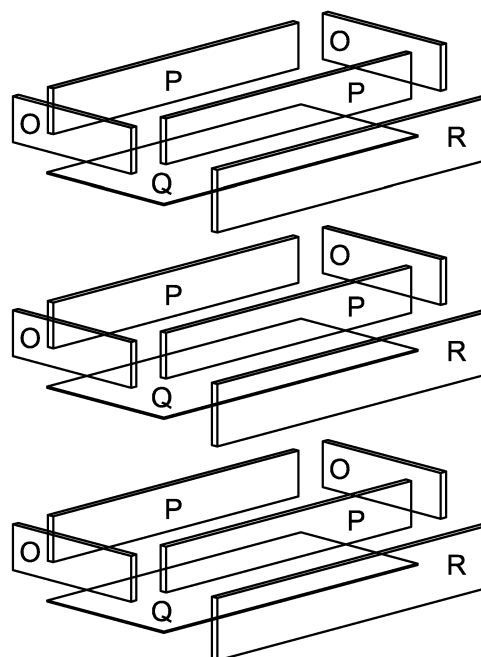
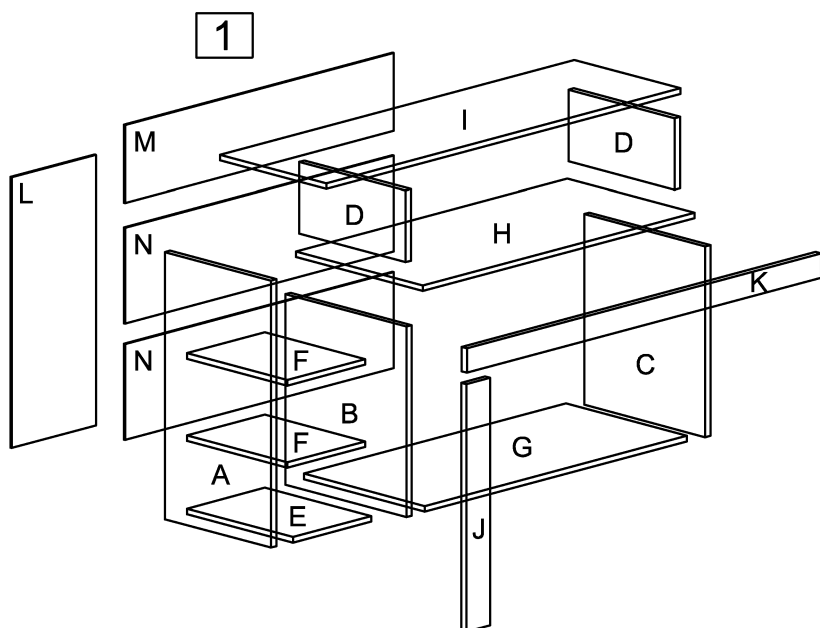
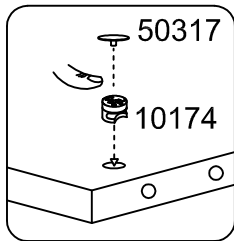
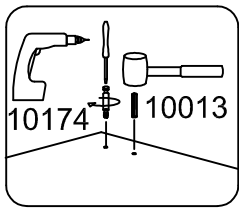


A	874x360	2/2
B	624x410	1/2
C	624x410	1/2
D	2x 234x360	2/2
E	264x360	2/2
F	2x 264x340	2/2
G	888x410	1/2
H	920x430	1/2
I	1200x360	2/2
J	810x80	2/2
K	1200x80	2/2
L	885x285	1/2
M	910x255	1/2
N	2x 910x314	1/2
O	6x 400x150	1/2
P	6x 831x150	2/2
Q	3x 860x395	1/2
R	3x 917x204	1/2

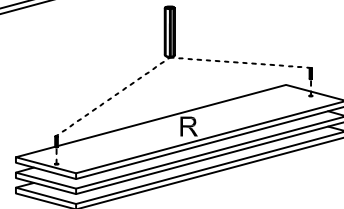
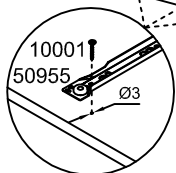
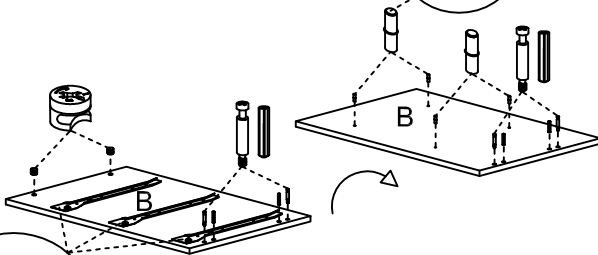
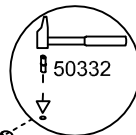
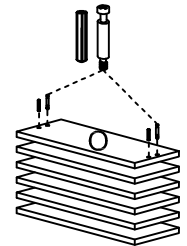
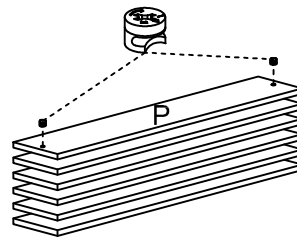
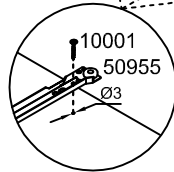
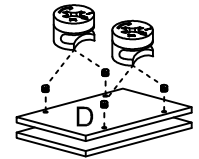
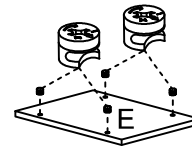
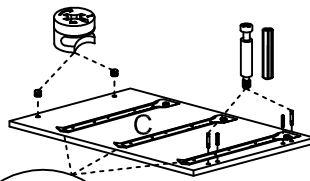
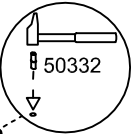
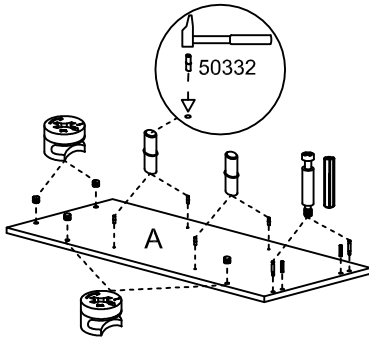
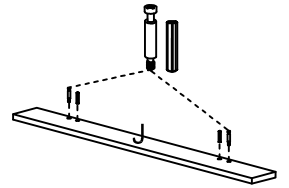
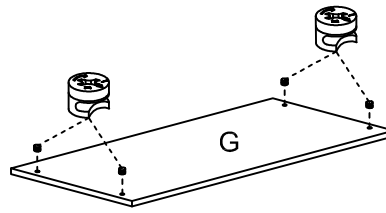
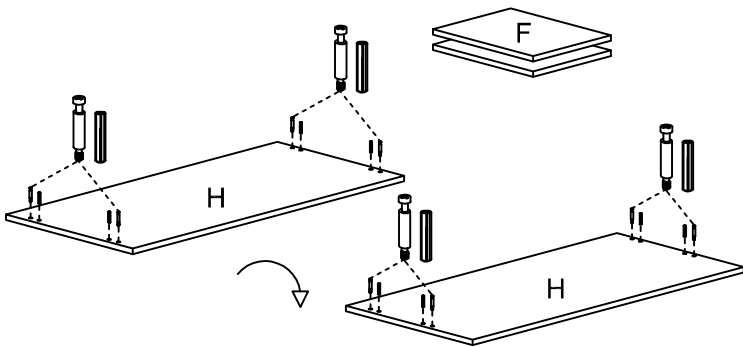
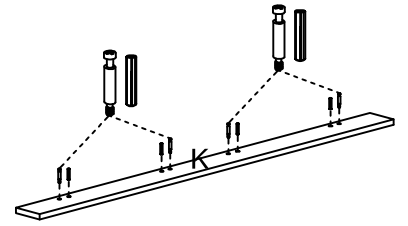
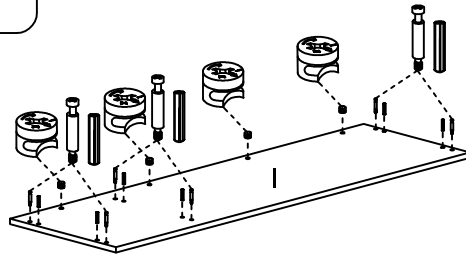


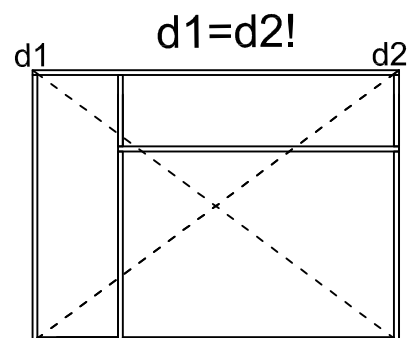
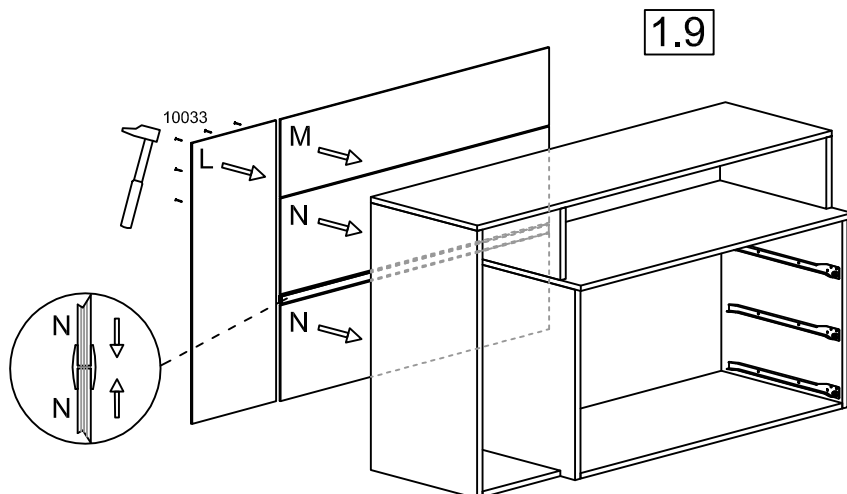
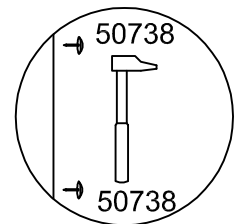
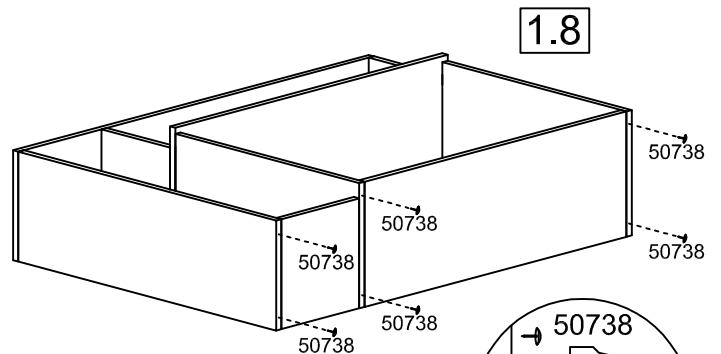
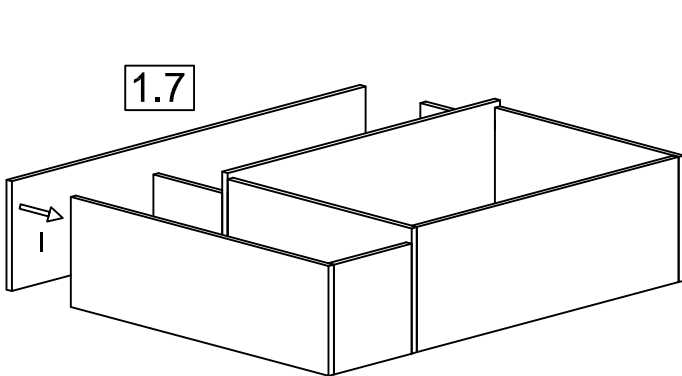
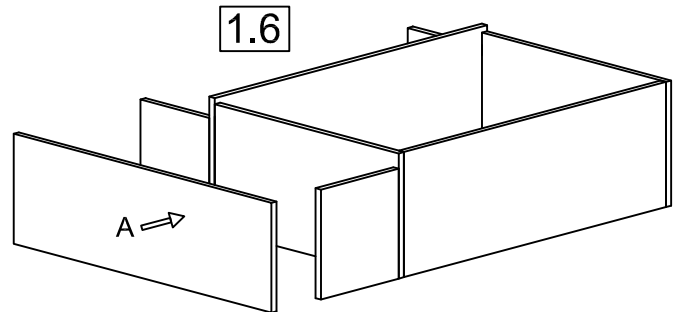
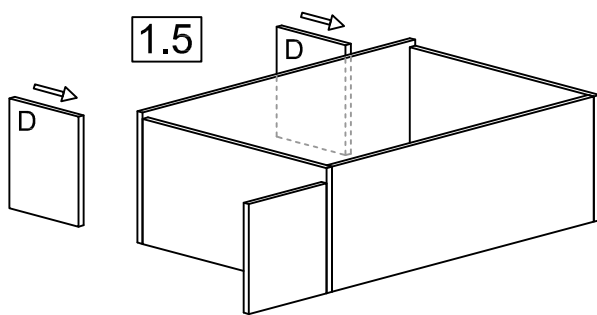
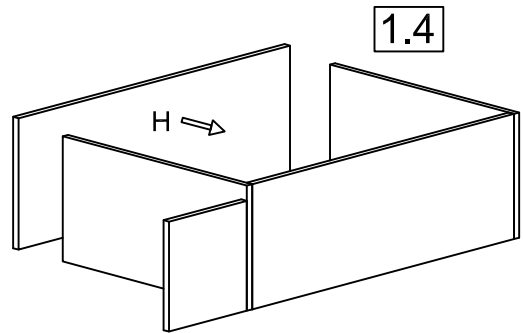
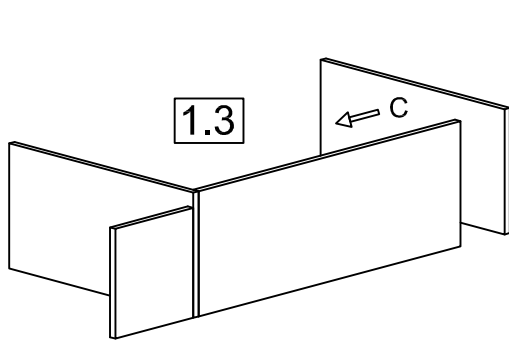
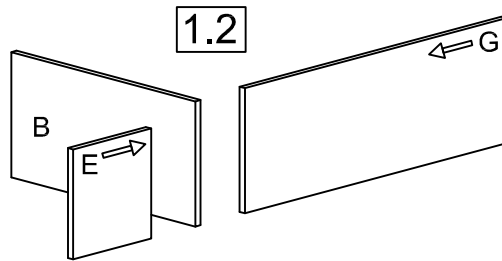
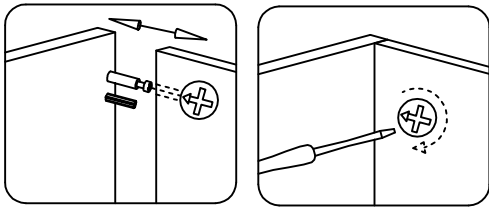
40x 10174	46x φ 8/30 10013	40x 50317	3x L= 400mm 50955	8x 50332	2x 51066	2x 10060	2x φ 6/80 10021
3x 20275	6x φ 4/45 10008	6x φ 3,5/30 10004	12x φ 3,5/20 10002	16x φ 3,5/16 10001	6x 50738	 10033	

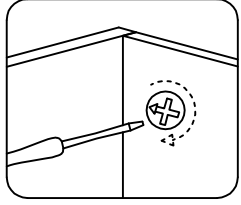
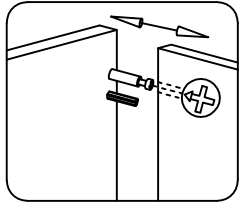




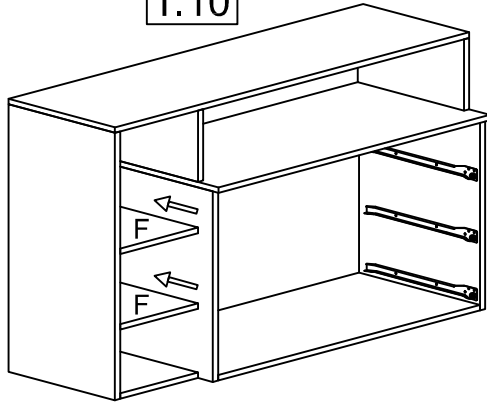
1.1



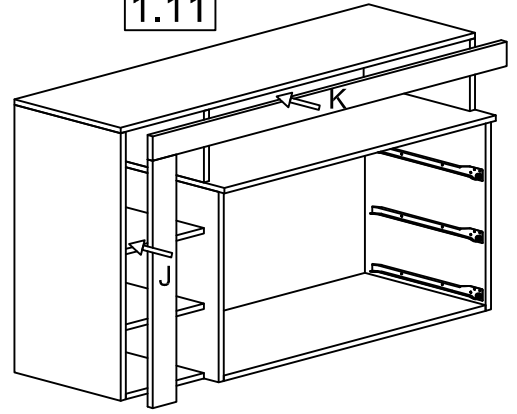




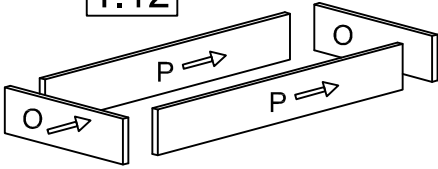
1.10



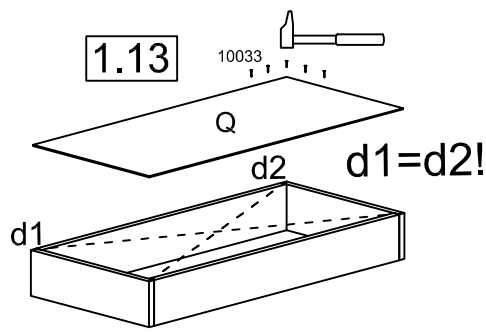
1.11



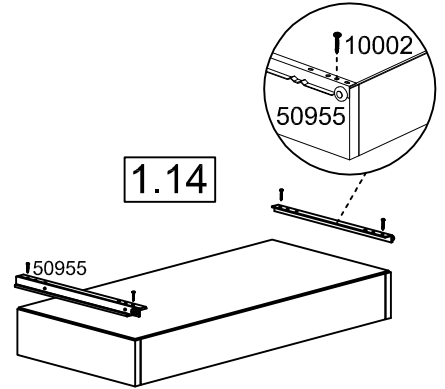
1.12



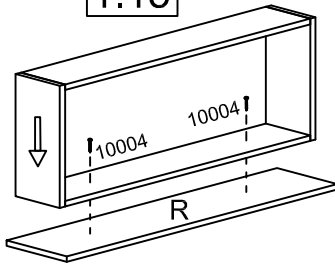
1.13



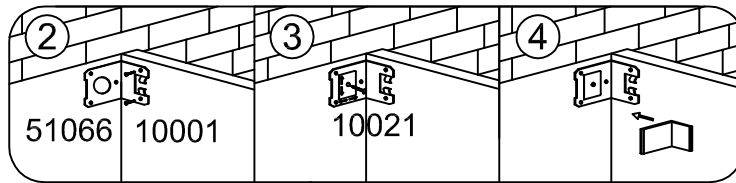
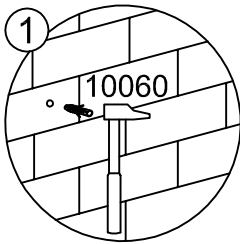
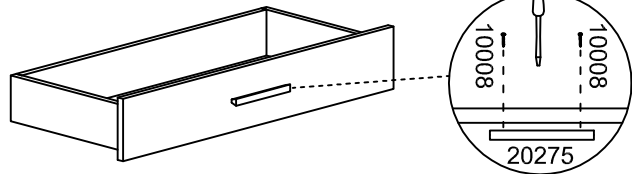
1.14



1.15



1.16



1.17

