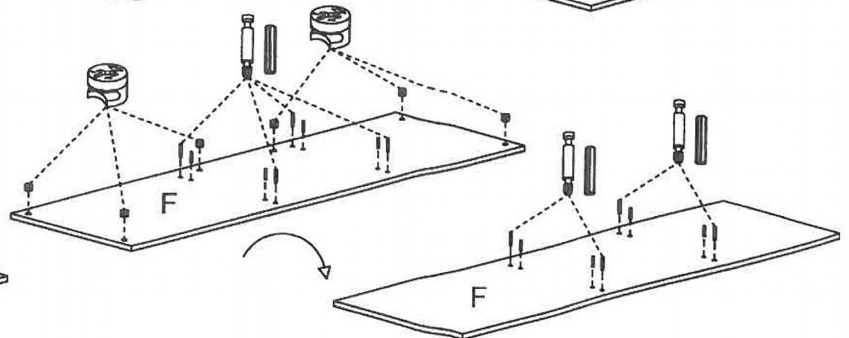
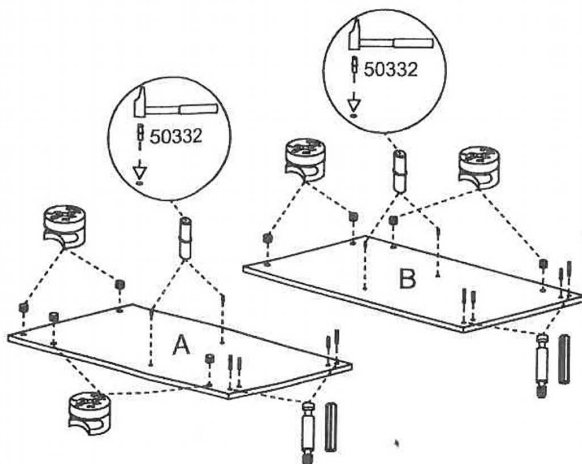
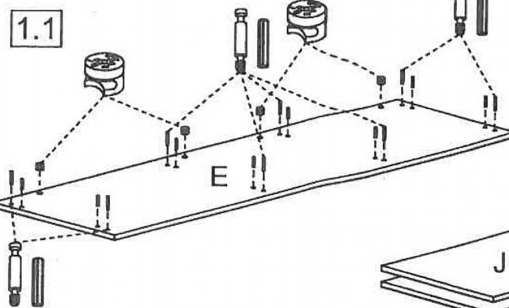
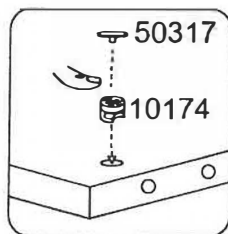
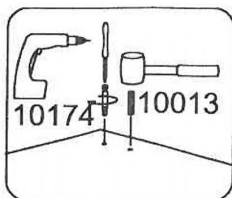
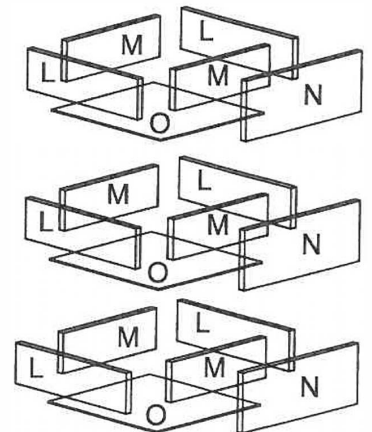
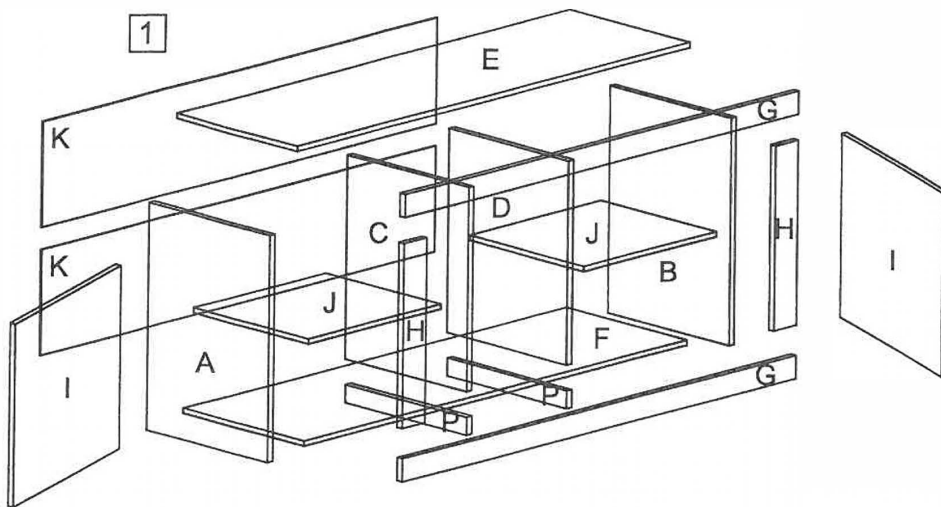


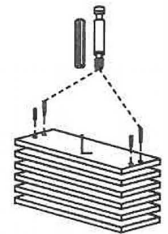
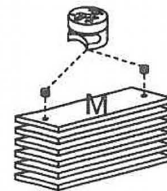
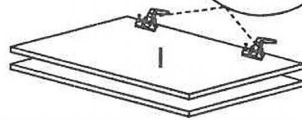
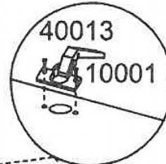
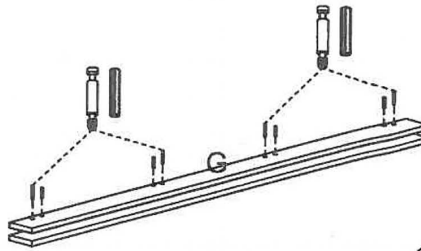
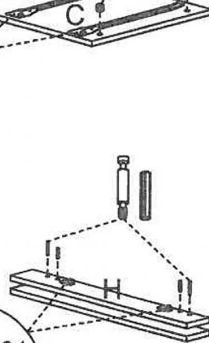
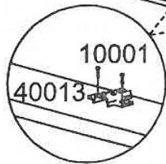
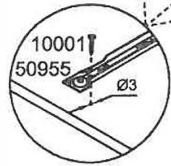
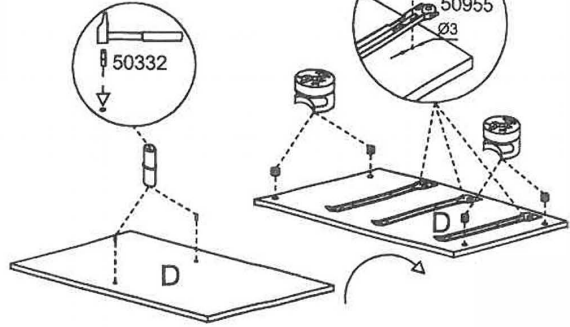
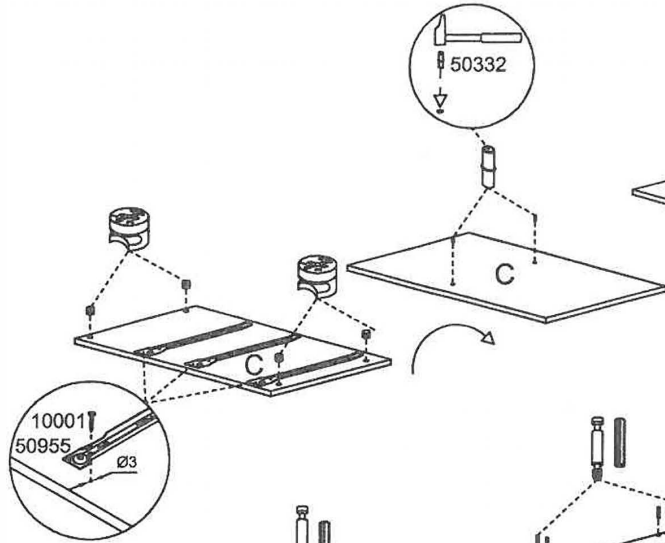
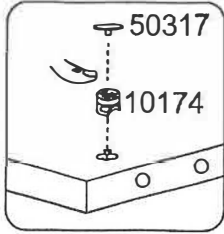
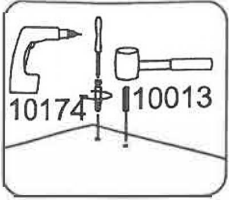
Step 1

A	784x430	2/3
B	784x430	2/3
C	704x430	2/3
D	704x430	2/3
E	1800x430	1/3
F	1768x430	1/3
G	2x1800x 80	1/3
H	2x 638x 80	1/3

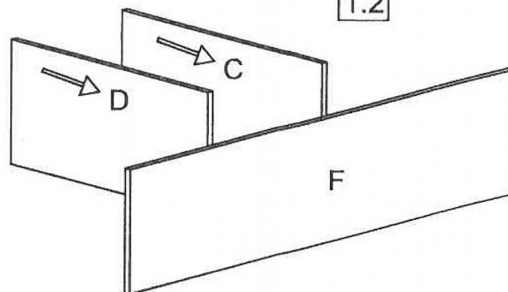
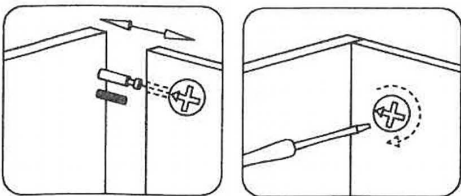
I	2x 633x542	3/3
J	2x 603x410	2/3
K	2x 365x1795	1/3
L	6x 400x140	2/3
M	6x 473x140	3/3
N	3x 208x542	3/3
O	3x 502x395	1/3
P	2x 430x 64	1/3

44x 10174	50x 10013	44x 50317	4x 40013	3x L= 400 mm 50955	8x 50249	8x 50332	2x 50273
5x 20188	2x 51066	2x 10060	51x 10001	29x 10002	6x 10004	2x 10021	 10033





1.2



If you face difficulties in connecting surface F with parts C & D, please turn the F surface sideways.

1.4

1.3

