















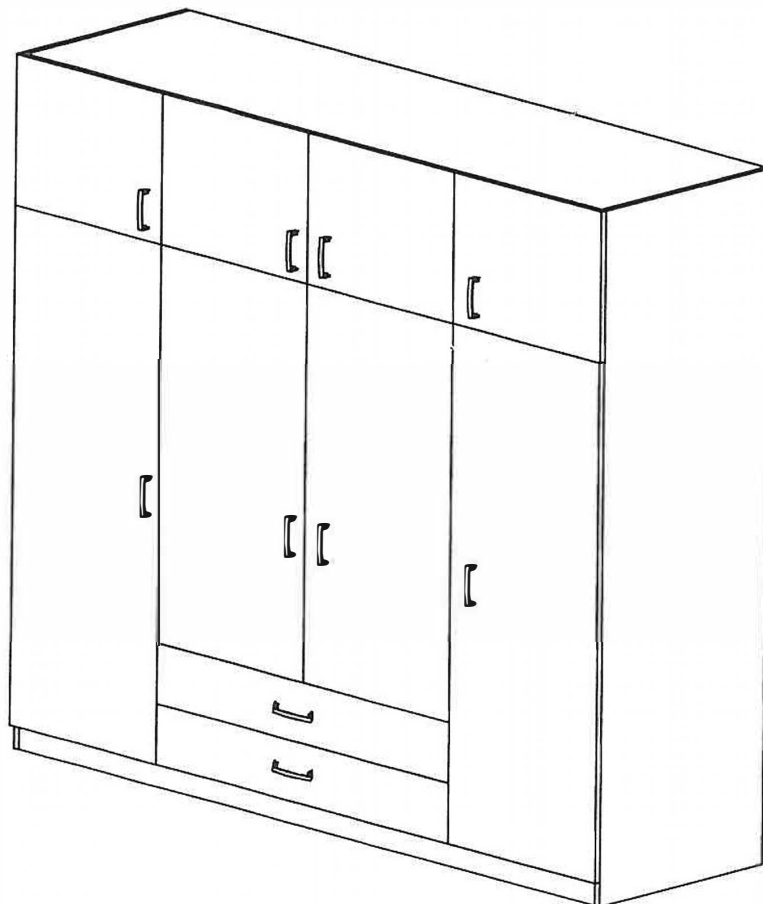


# Dose

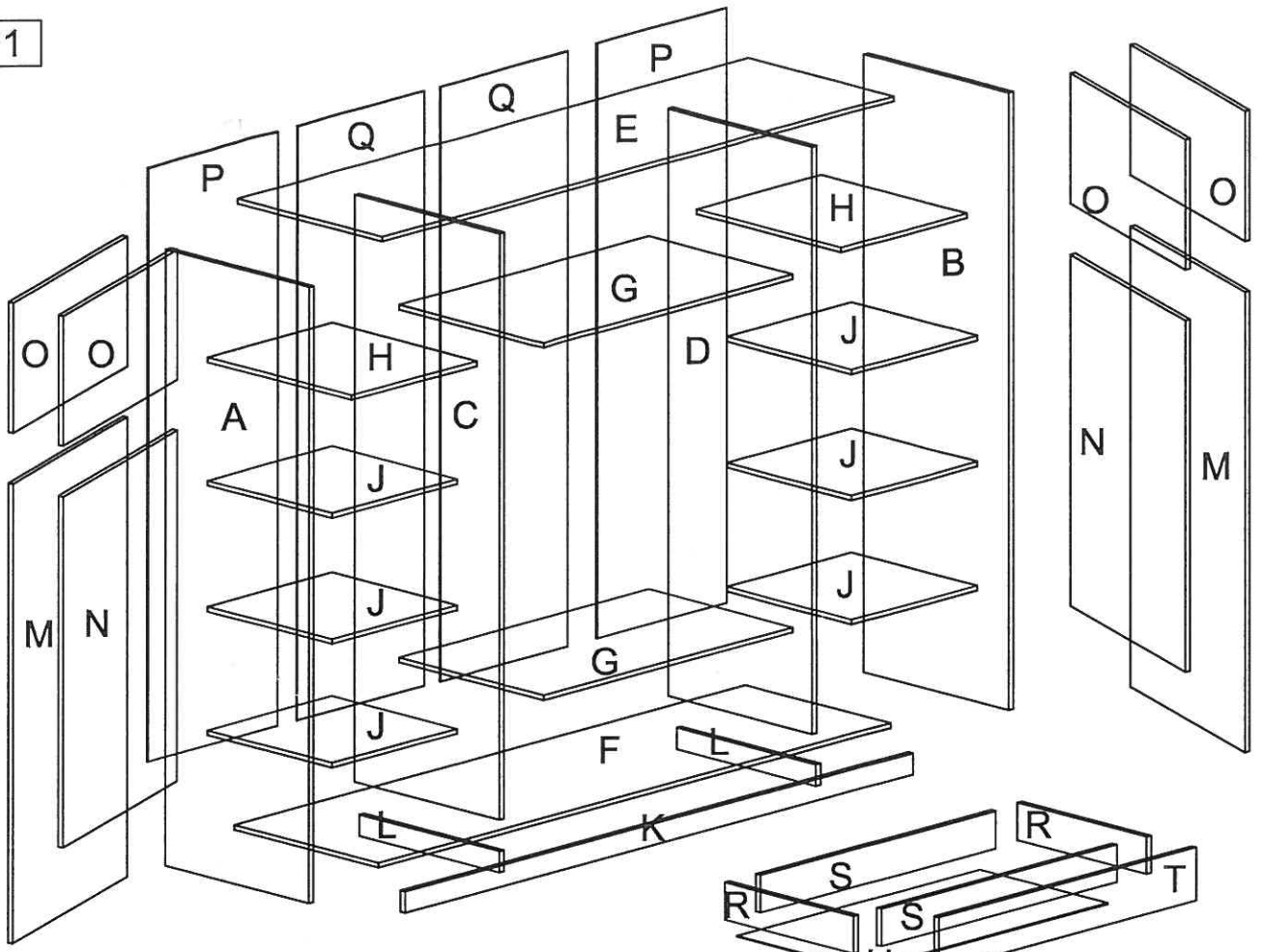
A	2300x560	2/9
B	2300x560	1/9
C	2188x560	3/9
D	2188x560	3/9
E	1968x560	4/9
F	1968x560	4/9
G	2x 968x560	5/9
H	2x 484x560	5/9
J	6x 484x484	1,5/9
K	1968x 80	1/9

L	2x 540x 80	1/9
M	2x 1717x497	7/9
N	2x 1311x497	8/9
O	4x 497x497	9/9
P	2x 2215x505	2/9
Q	2x 2215x492	2/9
R	4x 500x140	5/9
S	4x 911x140	5/9
T	2x 200x997	1/9
U	2x 940x495	2/9

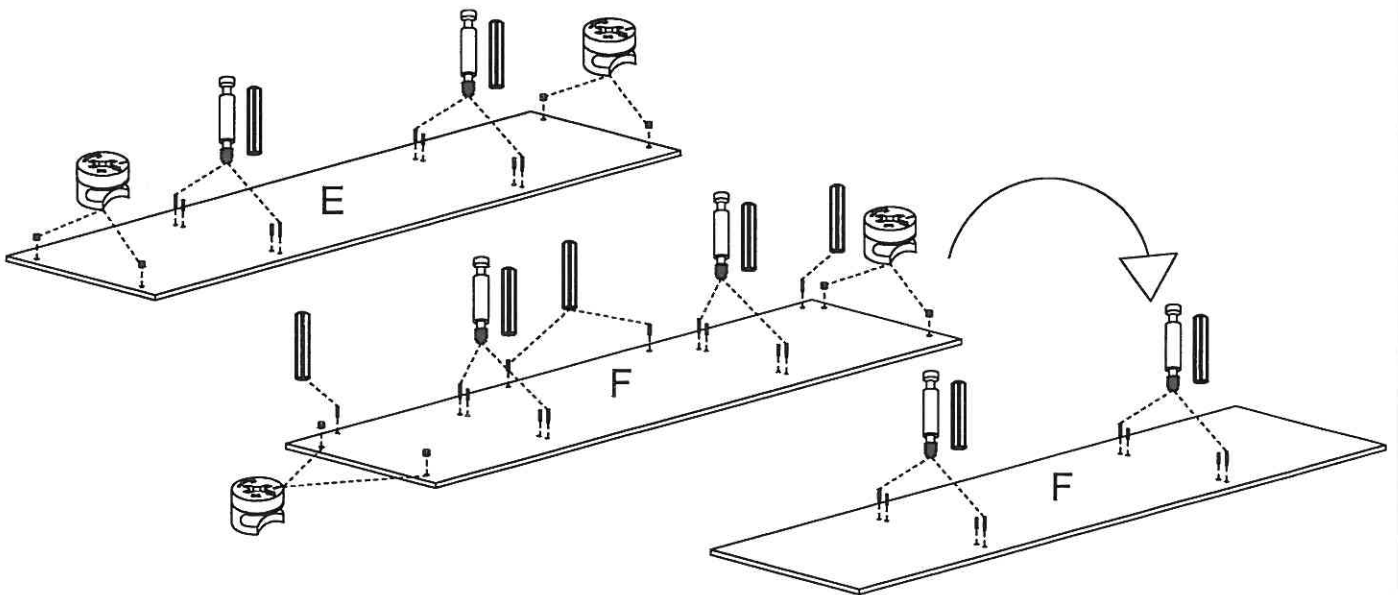
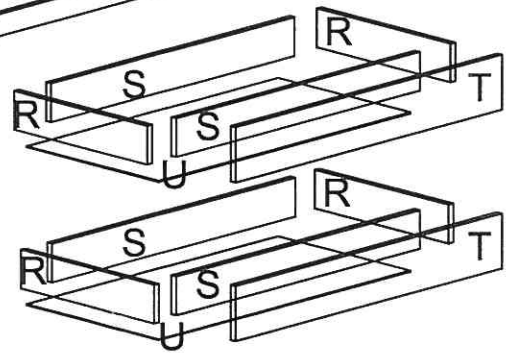
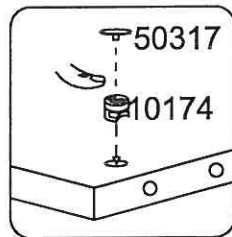
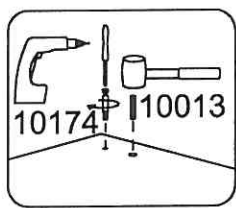
36x  10174	4x  10072	54x  8x30 10013	44x  50317	2x  L 500 mm 50957	8x  50738	2x  50011
12x  40158	8x  40161	24x  50332	10x  20200	4x  φ 4/45 10008	22x  φ 4/30 10006	99x  φ 3,5/16 10001
12x  φ 3,5/20 10002	 10033					

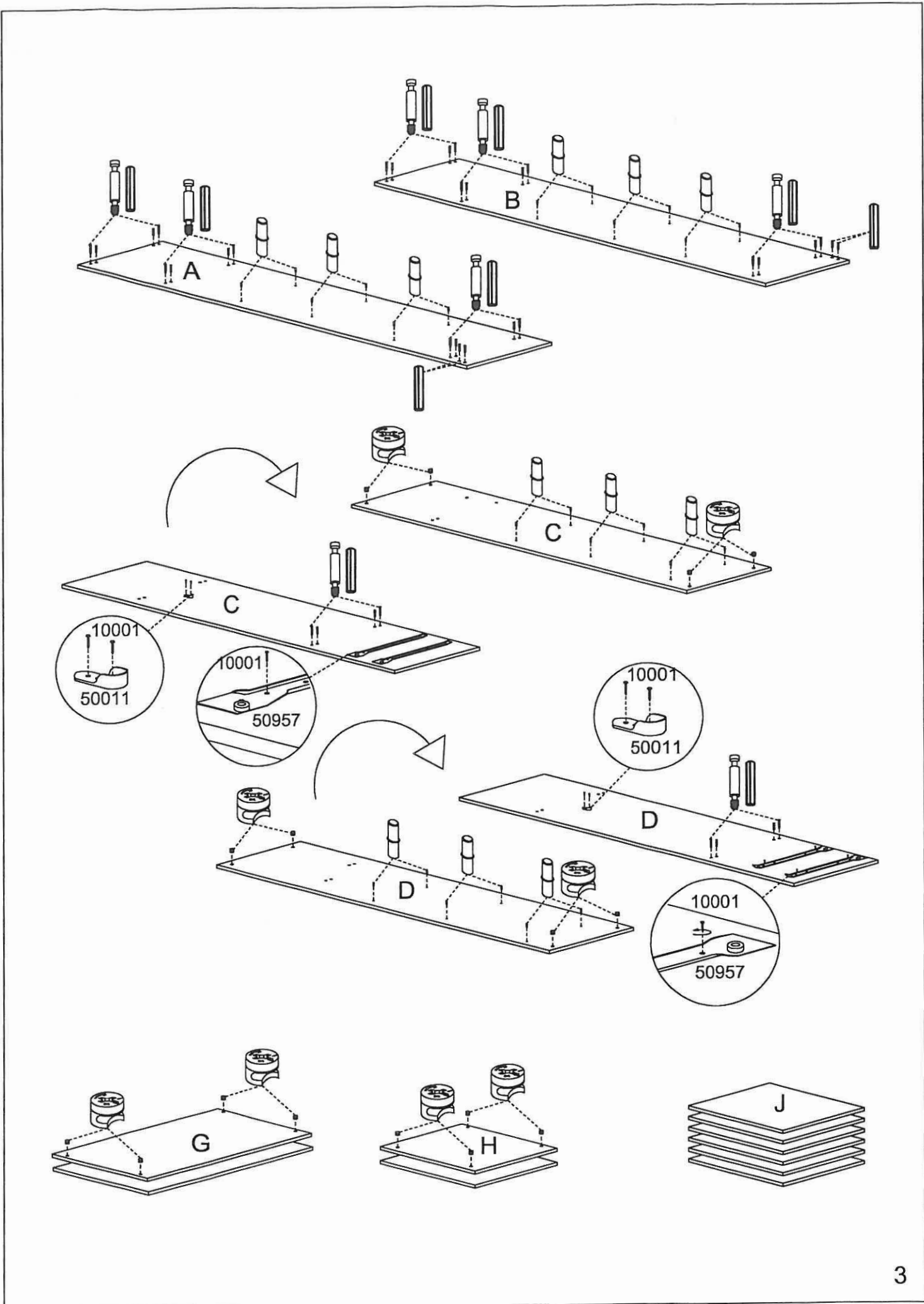


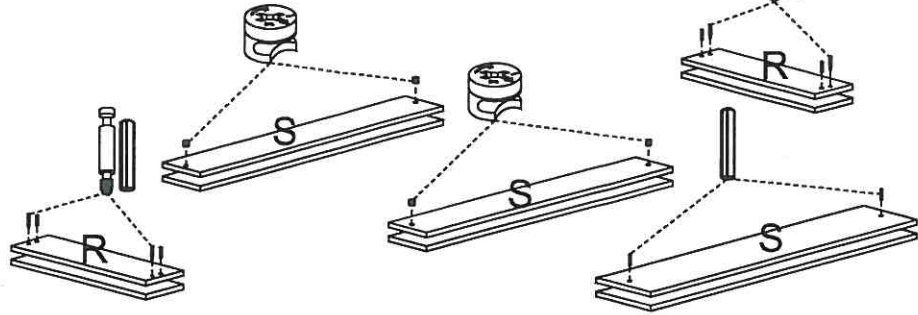
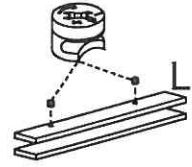
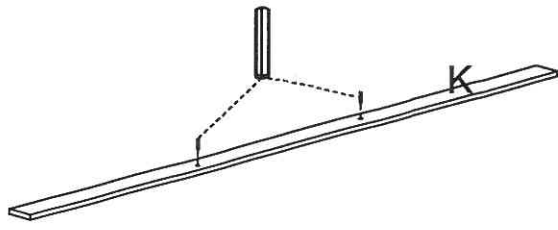
1



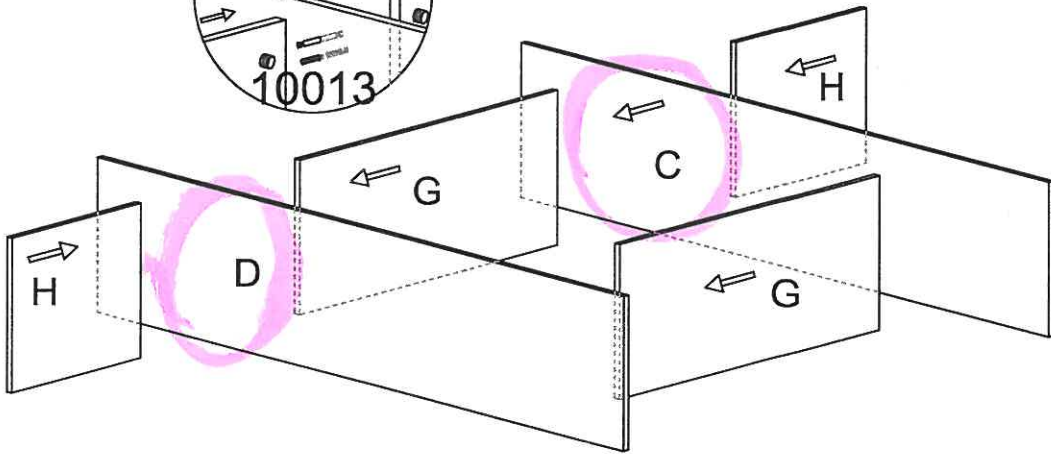
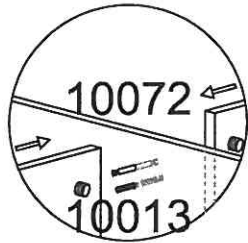
1.1



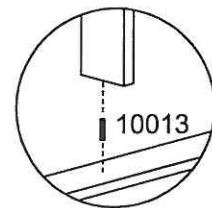
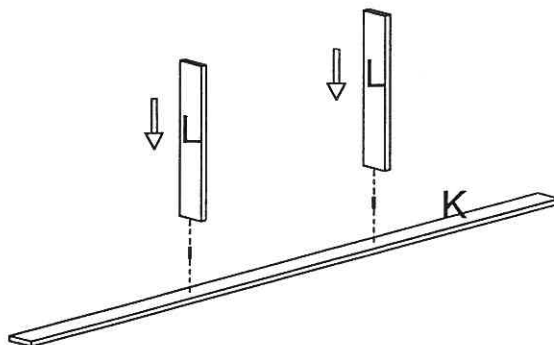




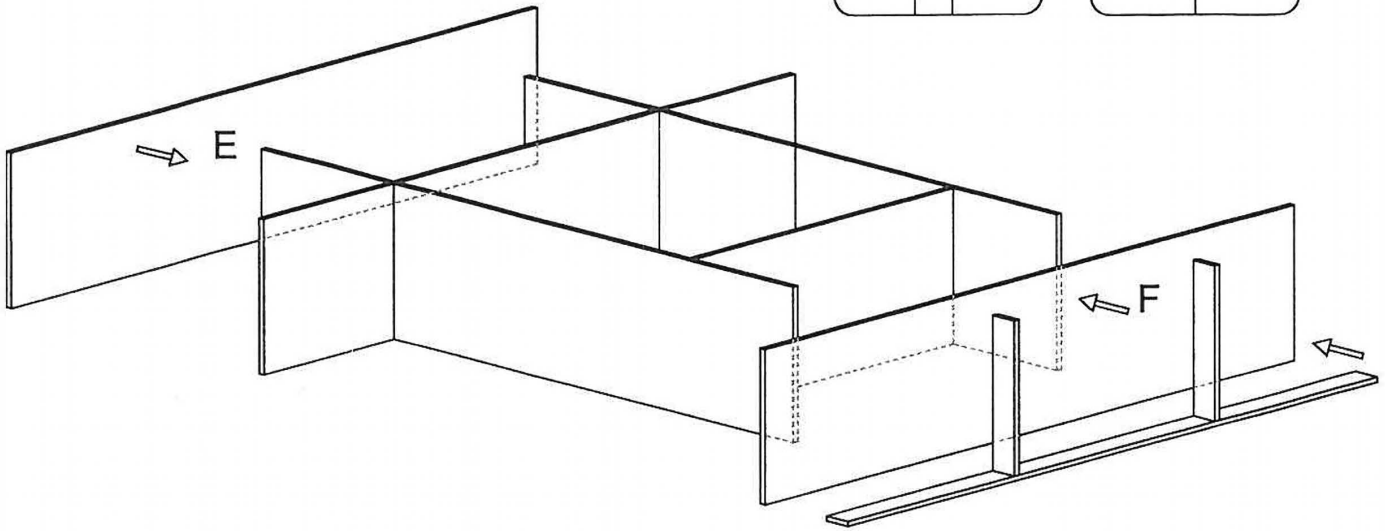
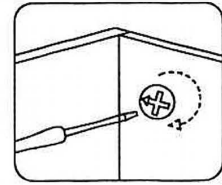
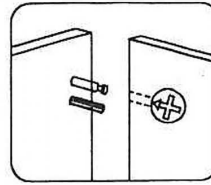
1.2



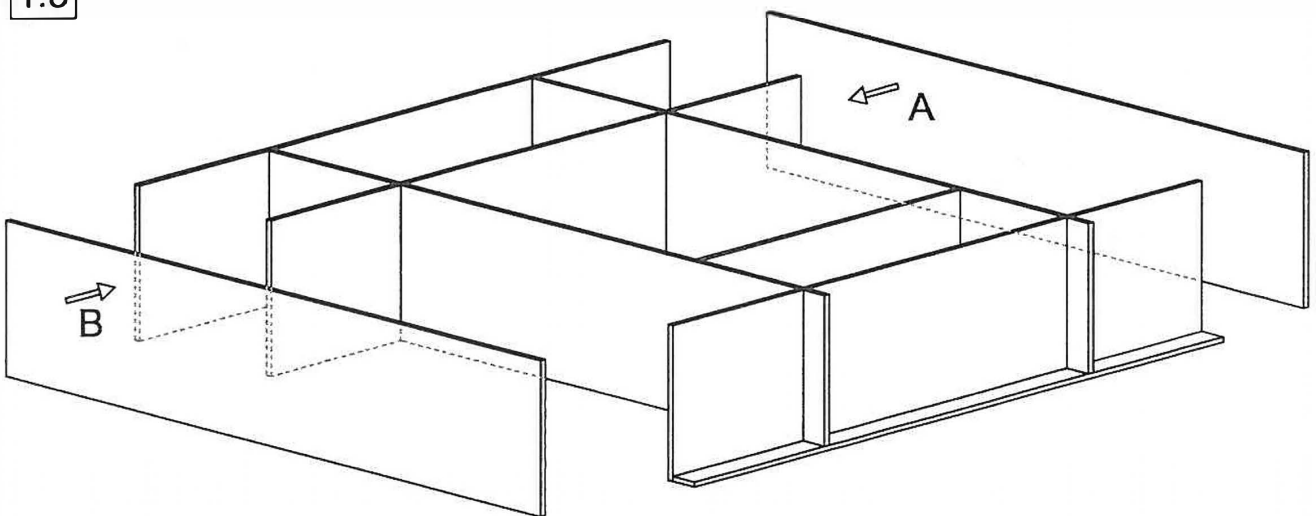
1.3



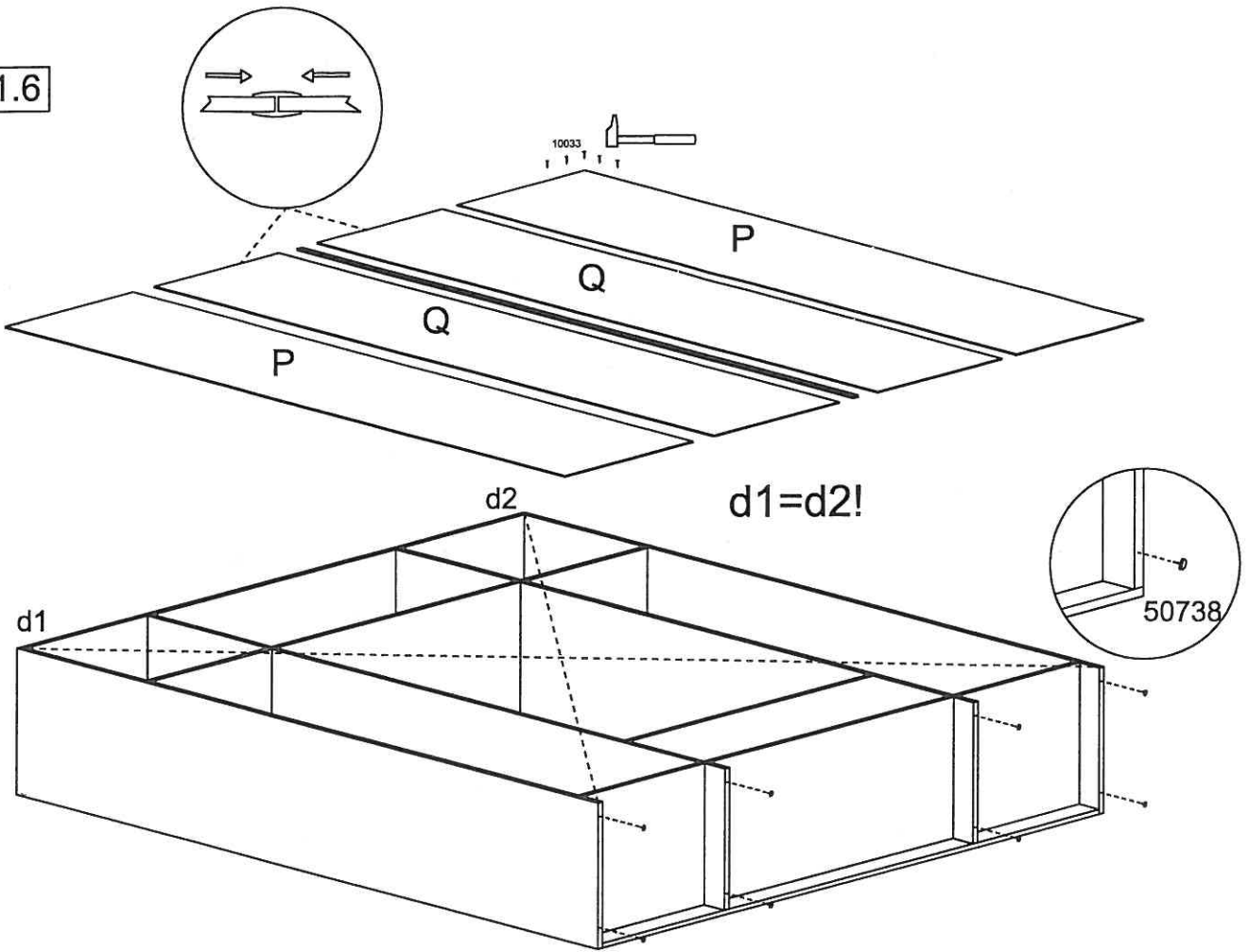
1.4



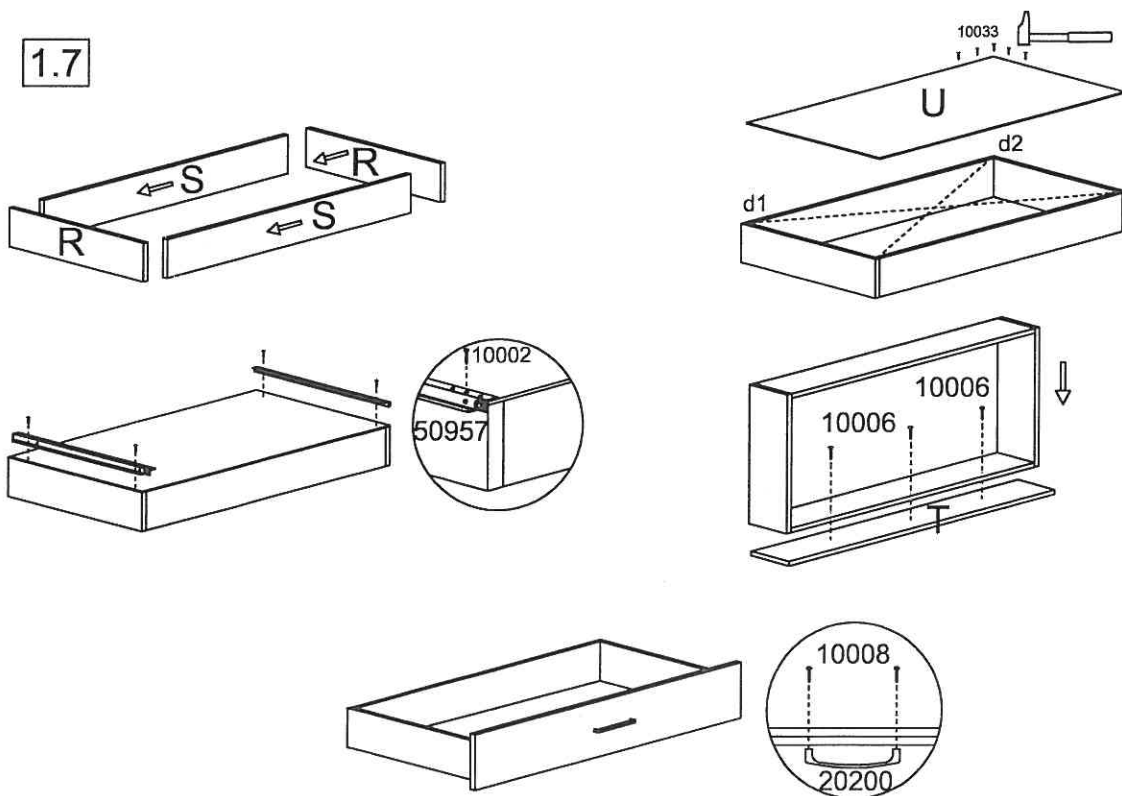
1.5



1.6



1.7



1.8

