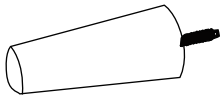


# ASSEMBLY INSTRUCTION

035-000068

## PARTS AND HARDWARE



Leg  
4X

DIAGRAM 1

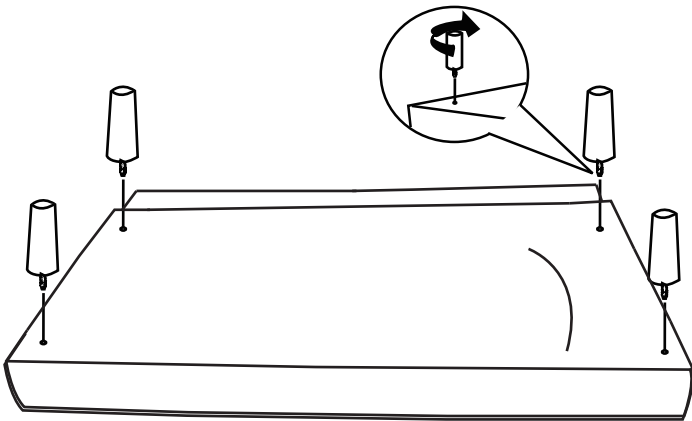


DIAGRAM 2

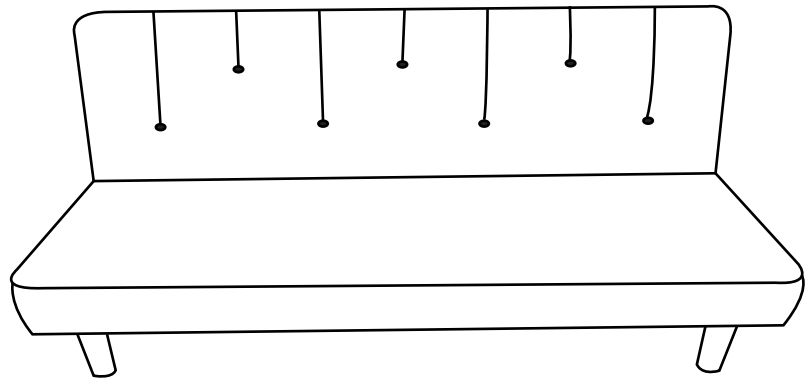


DIAGRAM 3

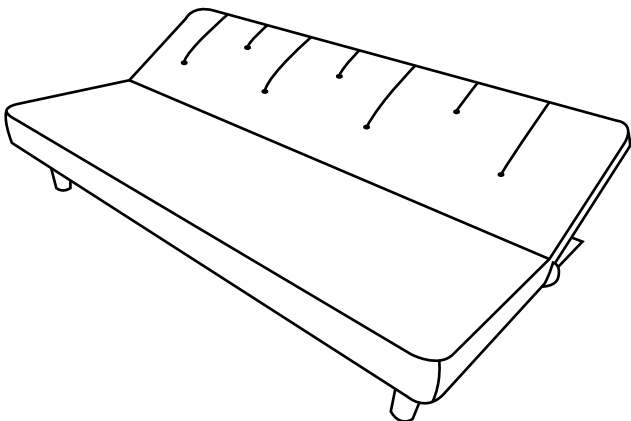


DIAGRAM 4

