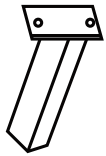
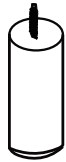


ASSEMBLY INSTRUCTIONS

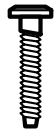
PARTS AND HARDWARE



Front Leg
2x



Rear leg
2x



Bolt
4x



Allen Key
1x



Washer
4 x

DIAGRAM 1

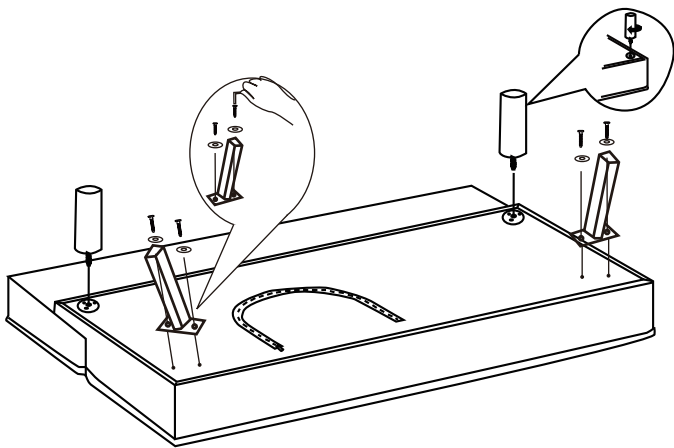


DIAGRAM 2

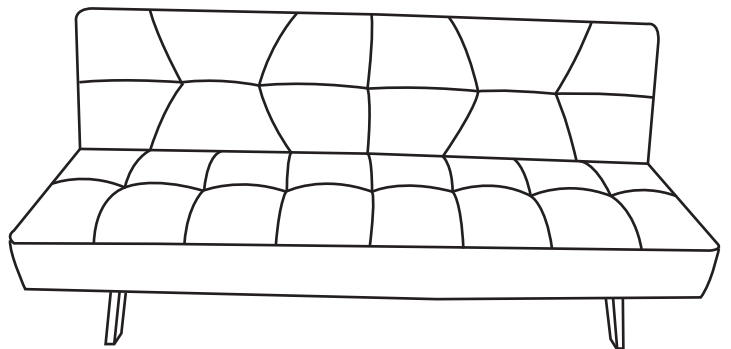


DIAGRAM 3

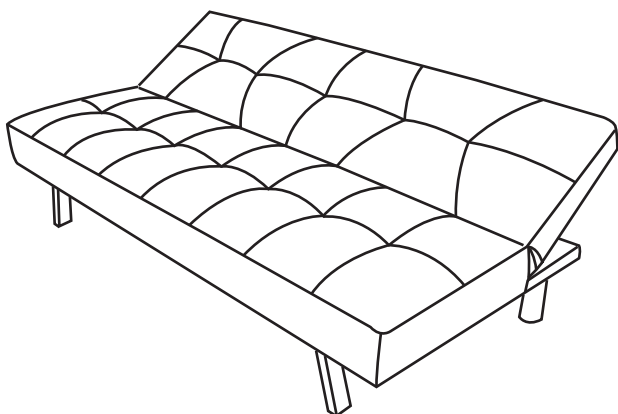


DIAGRAM 4

