



SOFT, DRY CLOTH



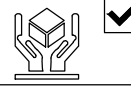
CHEMICAL



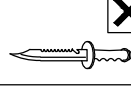
HEAT



KEEP DRY



HANDLE WITH CARE



DO NOT USE KNIFE

ASSEMBLY INSTRUCTION

MODEL : HM 2385.01

DESCRIPTION: FILLING CABINET

HARDWARE

A



WOOD DOWEL
8 X 25
52

B



CB SCREW
M3.5X16MM
16

C



CB SCREW
M4X45MM
48

D



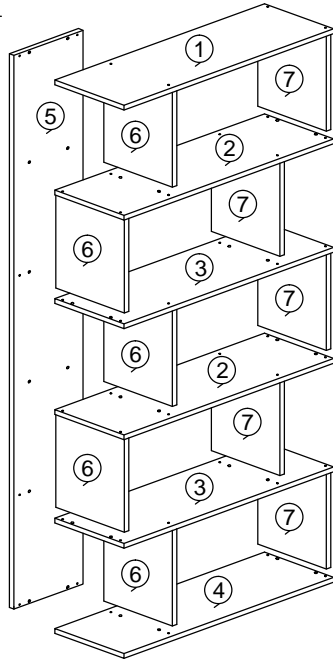
SCREW
CAP
40

E

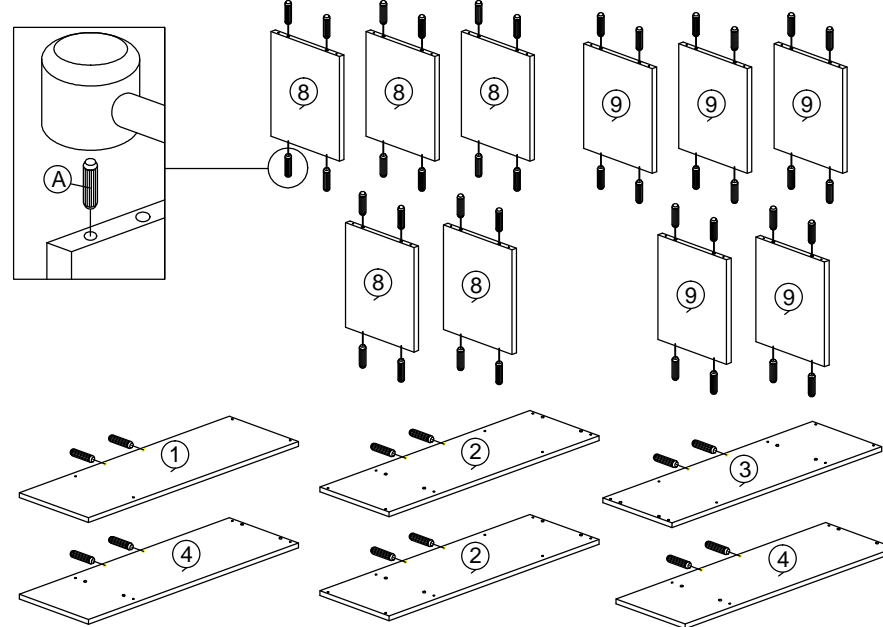


5038 PVC
SQUARE
LEG
4

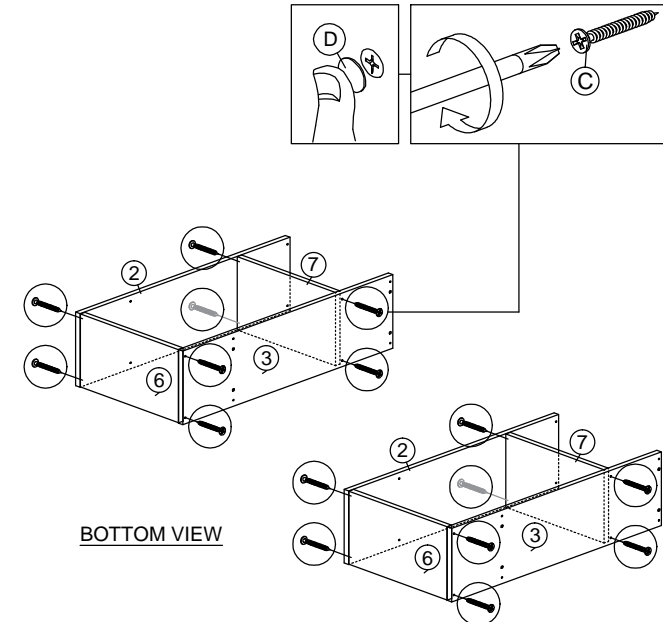
PART LIST



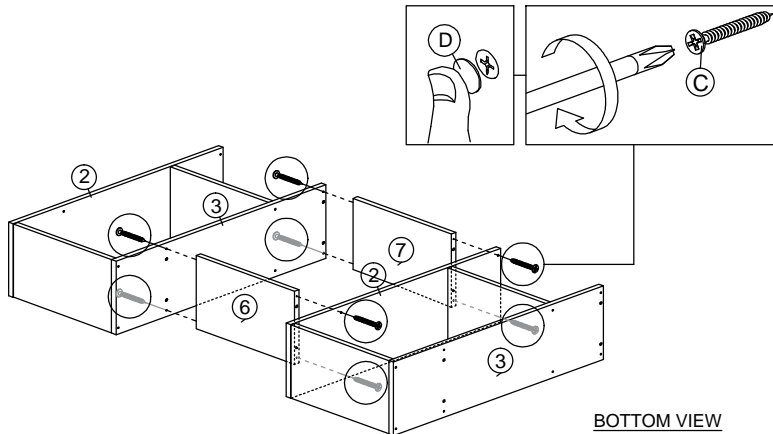
STEP 1



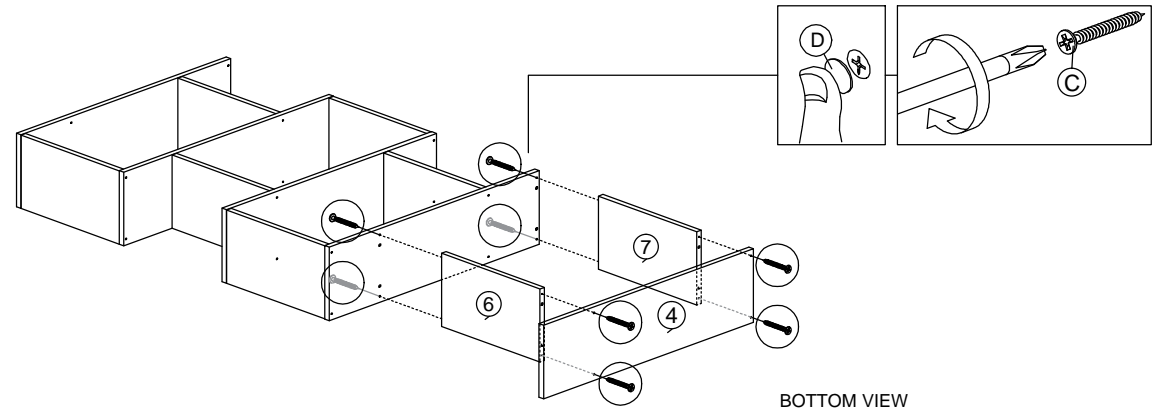
STEP 2



STEP 3

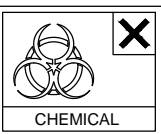


STEP 4

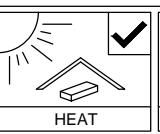




SOFT, DRY CLOTH



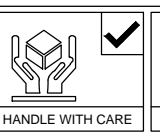
CHEMICAL



HEAT



KEEP DRY



HANDLE WITH CARE



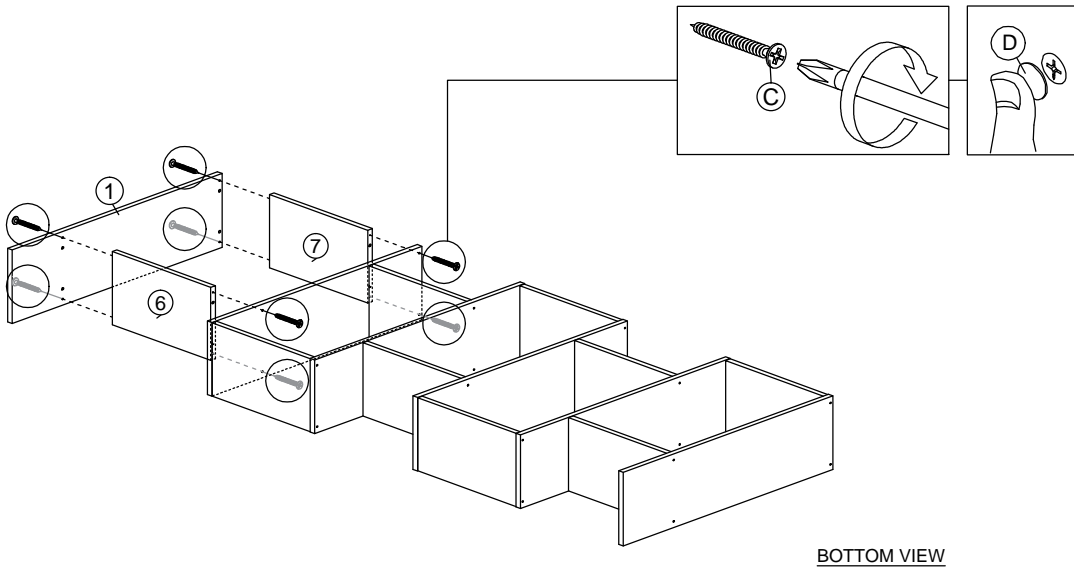
DO NOT USE KNIFE

ASSEMBLY INSTRUCTION

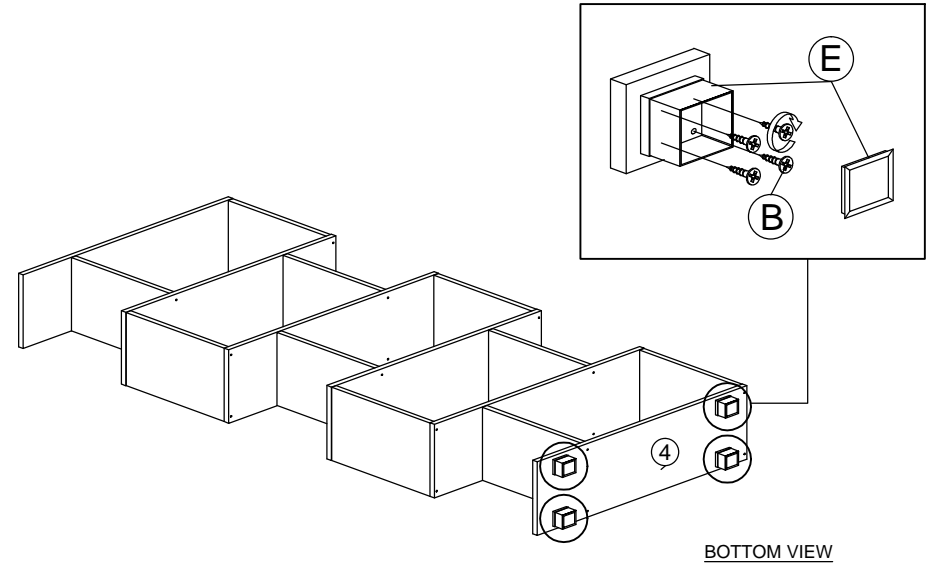
MODEL : HM 2385.01

DESCRIPTION: FILLING CABINET

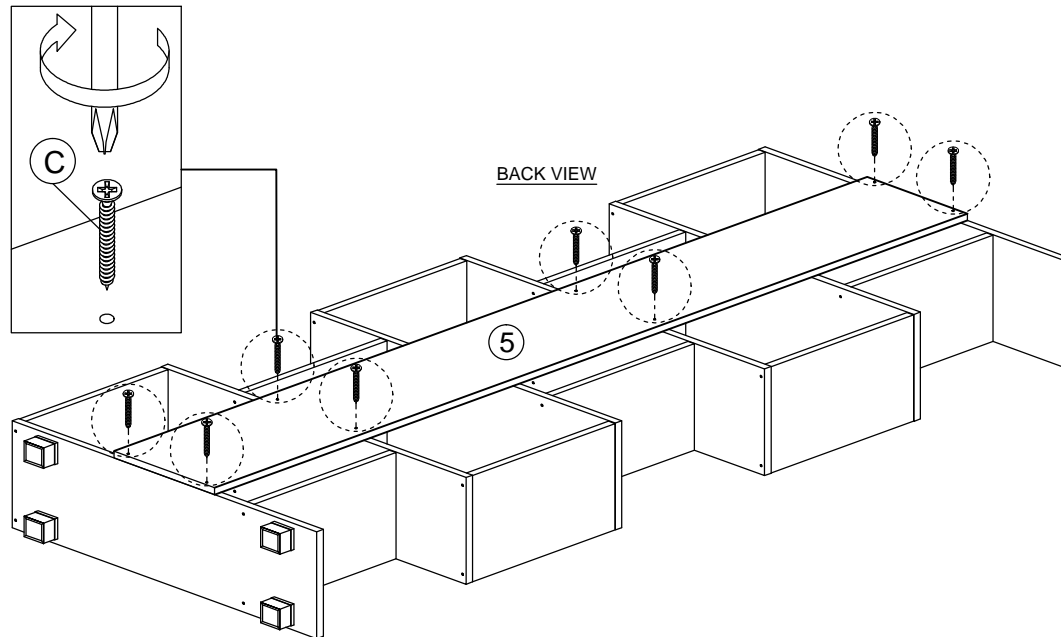
STEP 5



STEP 6



STEP 7



COMPLETED

