

# ASSEMBLY INSTRUCTION

DESC: QUEEN BED WITH 2 DRAWERS

MODEL : HM 330.02

SOFT, DRY CLOTH	CHEMICAL	KEEP DRY	HEAT	HANDLE WITH CARE	DO NOT USE KNIFE		

HARDWARE		PART LIST	
<b>A</b>	WOOD PEG 8 X 25	<b>8</b>	
<b>B</b>	CSK CAP WOOD 70MM	<b>8</b>	
<b>C</b>	CSK CAP WOOD 50MM	<b>4</b>	
<b>D</b>	CB SCREW 10X130MM	<b>12</b>	
<b>E</b>	CB SCREW 16X130MM	<b>16</b>	
<b>F</b>	CSK CAP	<b>12</b>	
<b>G</b>	MINIFIX 2054-5540	<b>4 SETS</b>	
<b>H</b>	L KEY	<b>1</b>	
<b>I</b>	DRAWER SLIDE 11"	<b>2</b>	

**STEP 1**

**STEP 2**

**STEP 3**

**STEP 3**

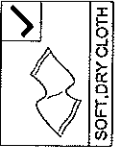
**STEP 4**

**STEP 5**

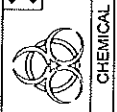
**STEP 6**



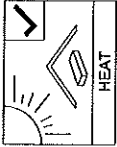
STEP 7



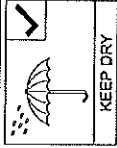
SOFT, DRY CLOTH



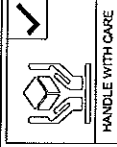
CHEMICAL



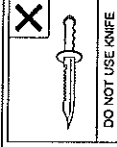
HEAT



KEEP DRY



HANDLE WITH CARE



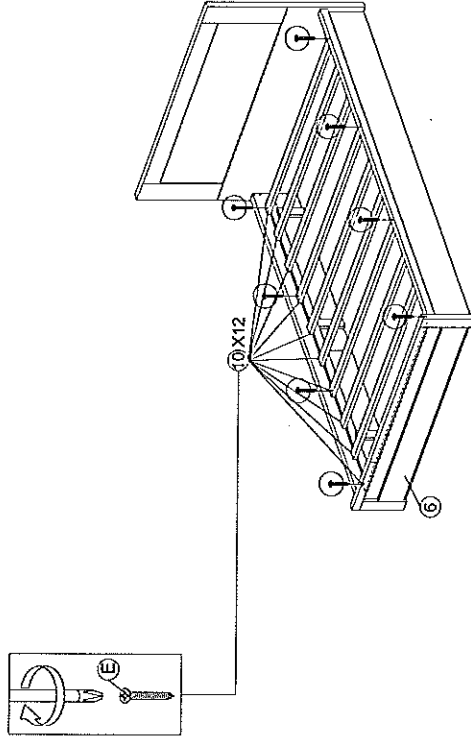
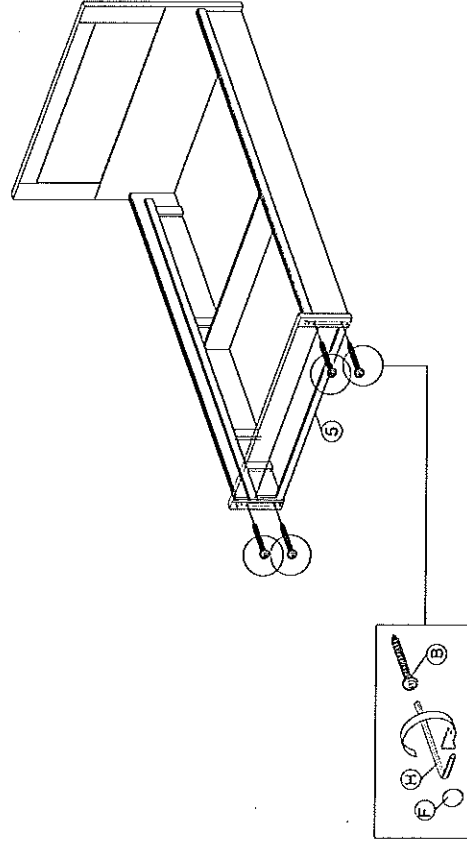
DO NOT USE KNIFE

# ASSEMBLY INSTRUCTION

MODEL : HM 330.02

DESC: QUEEN BED WITH 2 DRAWERS

STEP 8



STEP 9

COMPLETED

