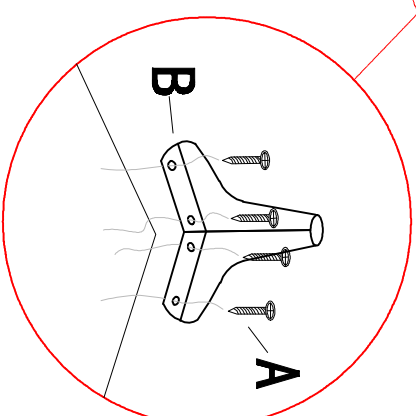
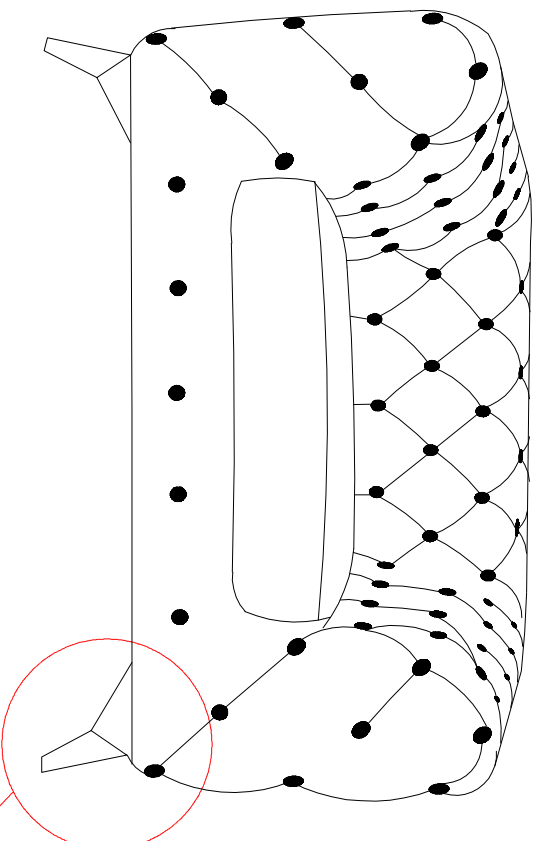
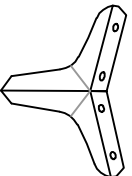


# ASSEMBLY INSTRUCTION



M5X30MM

AX16



BX4