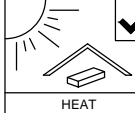




SOFT, DRY CLOTH



CHEMICAL



HEAT



KEEP DRY



HANDLE WITH CARE



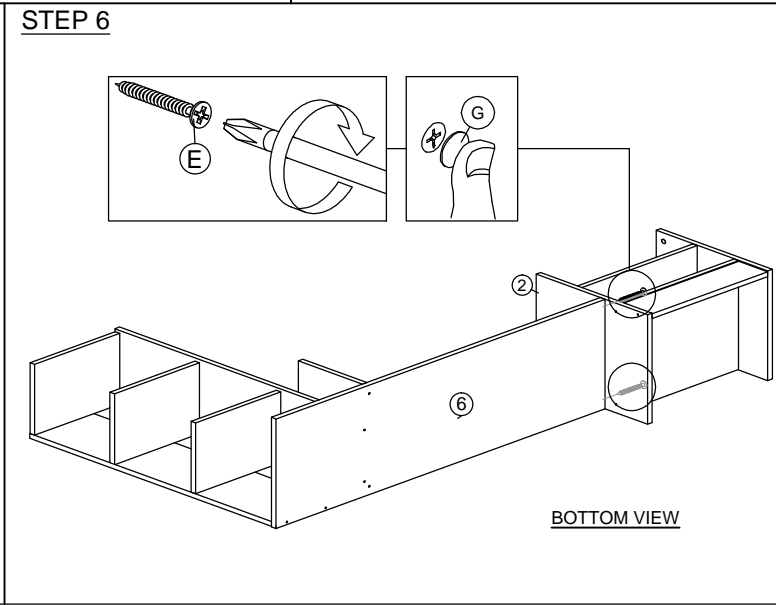
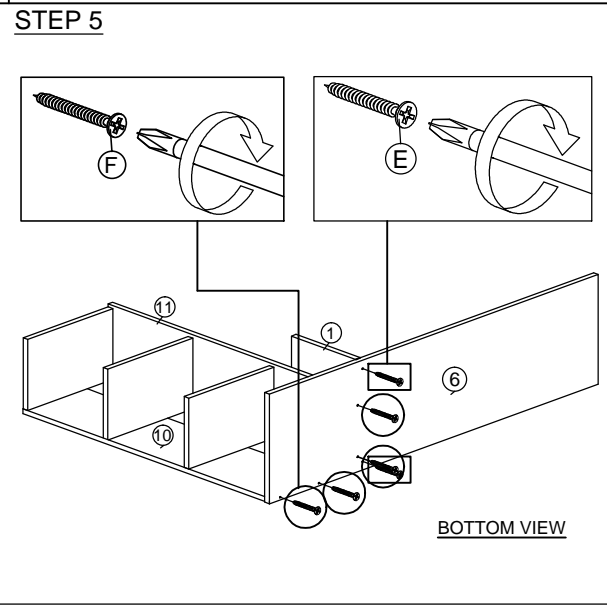
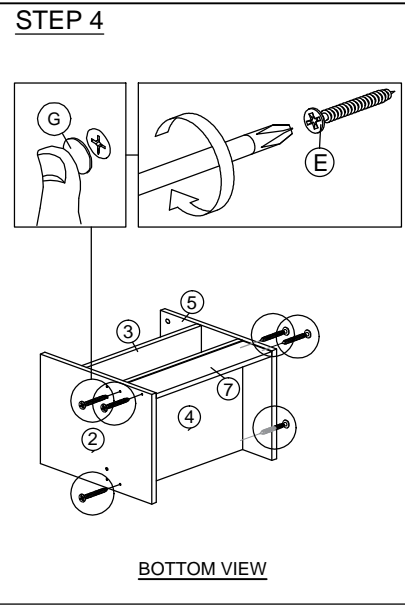
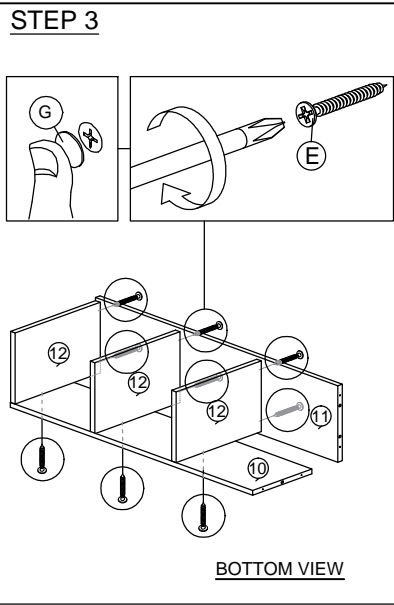
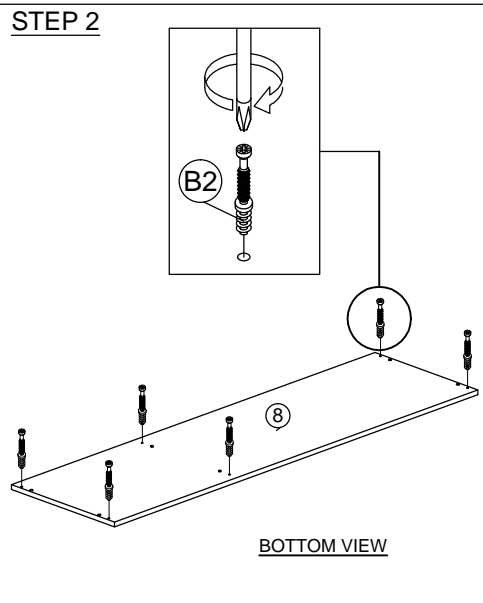
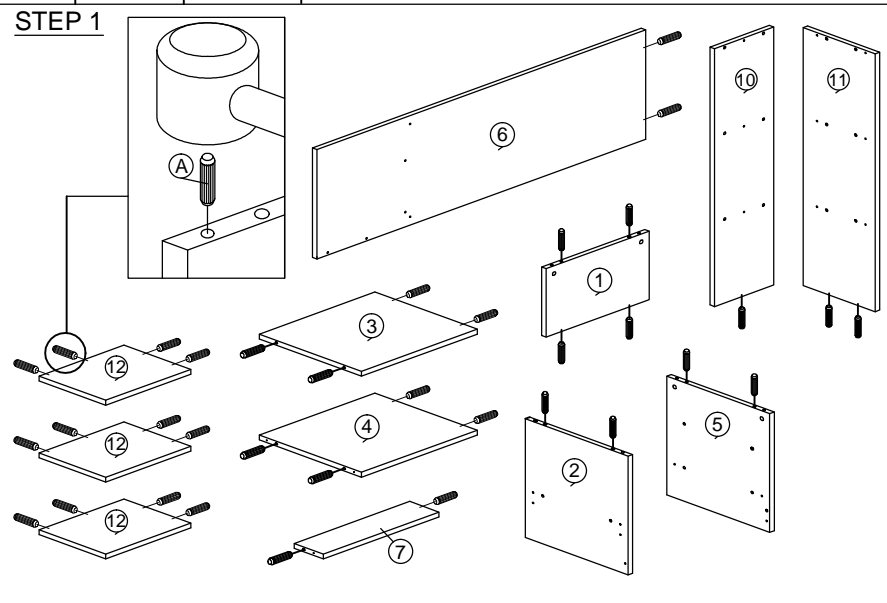
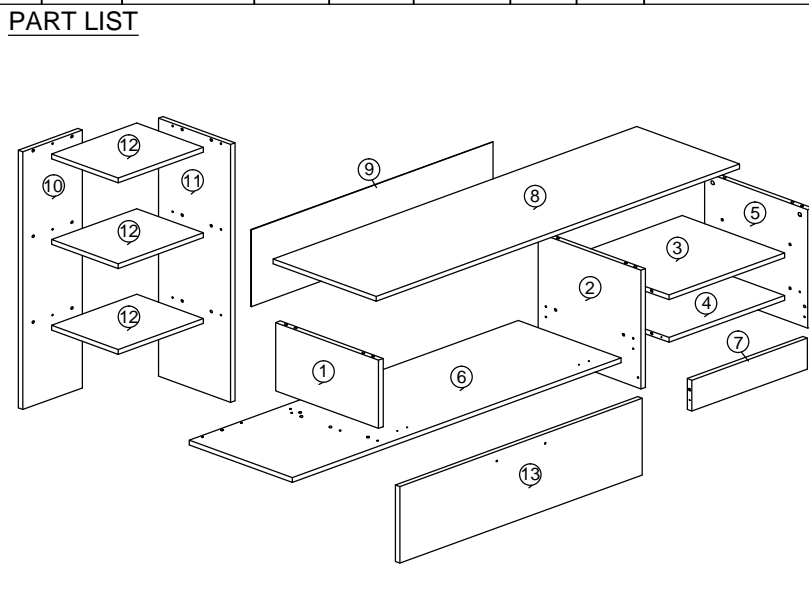
DO NOT USE KNIFE

ASSEMBLY INSTRUCTION

MODEL : HM 2250.01

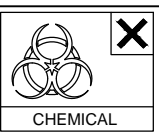
DESCRIPTION: TV CABINET

| | | | | | | | | | | | |
|-----------------|-------------------------|--------------------------------------|------------------|---------------------------------|--------------------------------|---------------|-----------------|---|--------------------|-----------------|------------|
| HARDWARE | A | B | C | D | E | F | G | H | I | J | K |
| | WOOD DOWEL 8 X 25 35 | B1 B2 MINIFIX 5654+5546 6 SETS | MINIFIX CAP 6 | 6MM CB SCREW M3.5X16MM 16 | 45MM CB SCREW M4X45MM 23 | NAIL 5/8 8 | SCREW CAP 17 | H1 H2 HANDLE 7050-96MM 1 CB SCREW M4X22MM 2 | PVC TAPER LEG 2 | HINGES 5/8 2 | L KEY 1 |

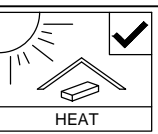




SOFT, DRY CLOTH



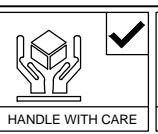
CHEMICAL



HEAT



KEEP DRY



HANDLE WITH CARE



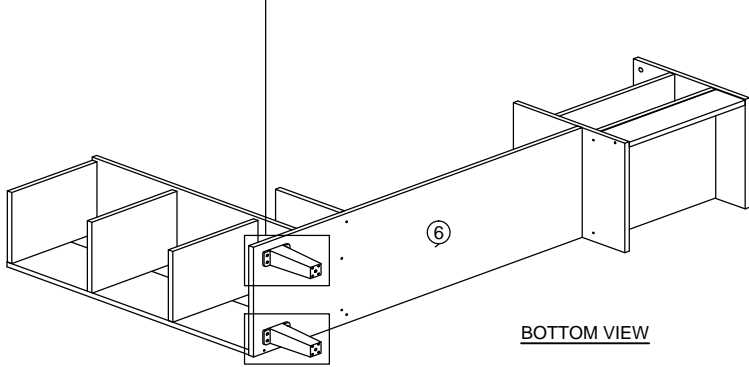
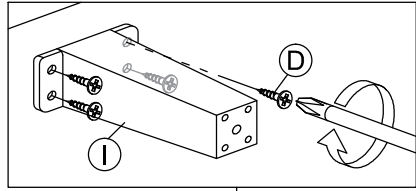
DO NOT USE KNIFE

ASSEMBLY INSTRUCTION

MODEL : HM 2250.01

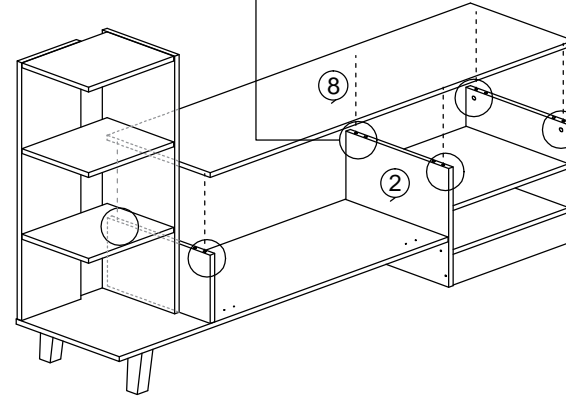
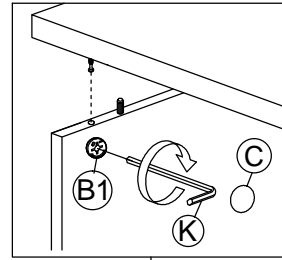
DESCRIPTION: TV CABINET

STEP 7

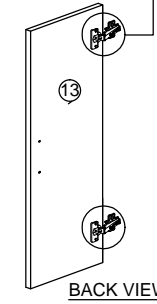
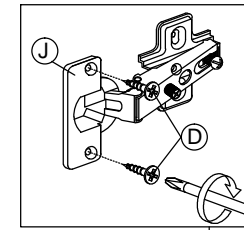


BOTTOM VIEW

STEP 8

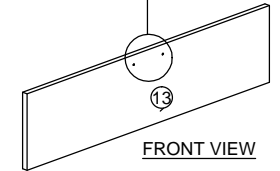
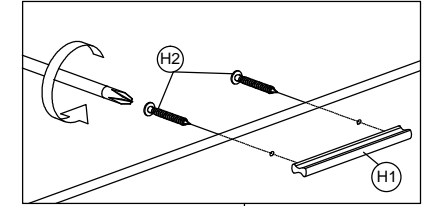


STEP 9



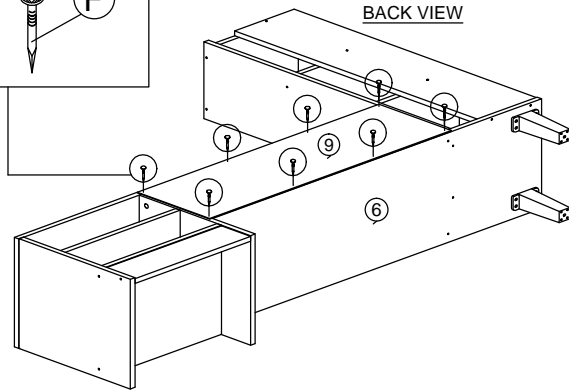
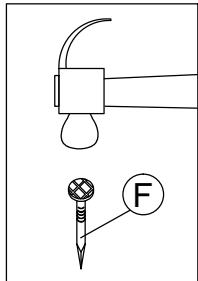
BACK VIEW

STEP 10



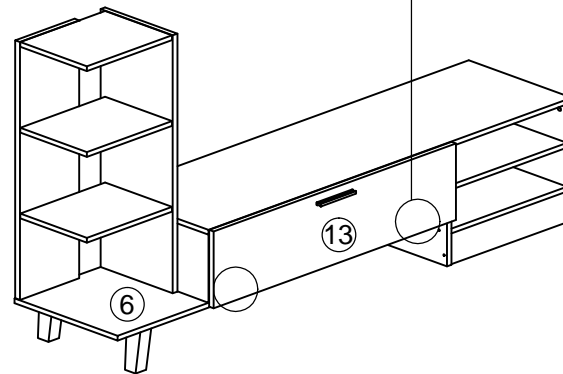
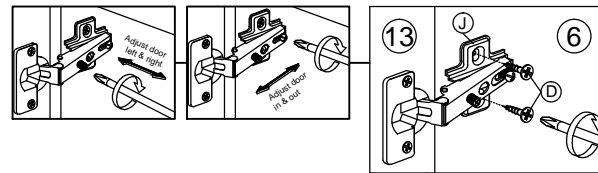
FRONT VIEW

STEP 11



BACK VIEW

STEP 12



COMPLETED

