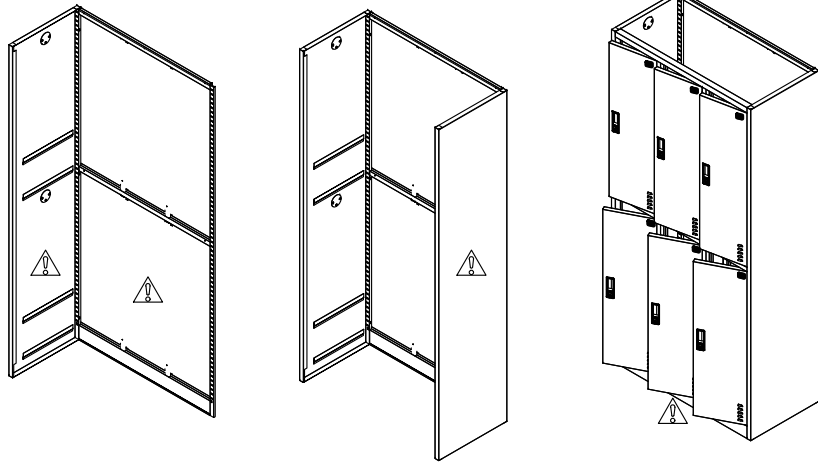


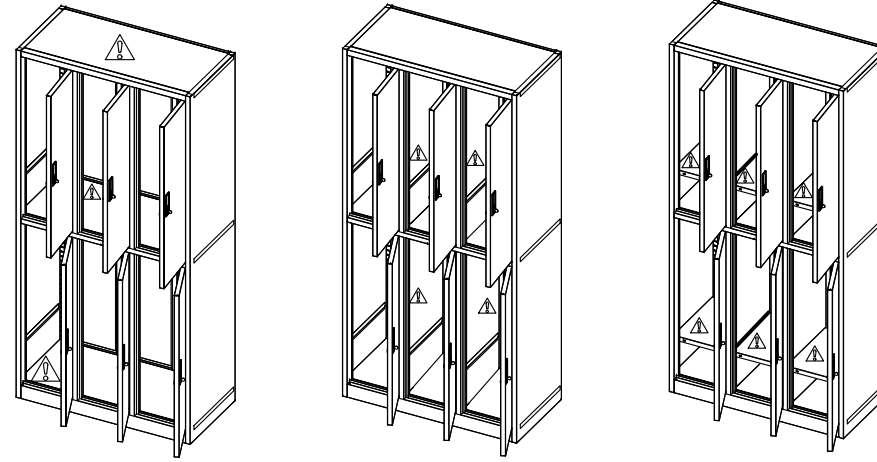
Installing diagram



STEP 1

STEP 2

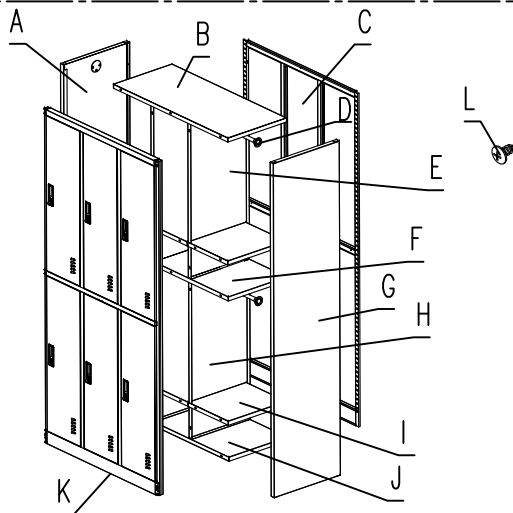
STEP 3



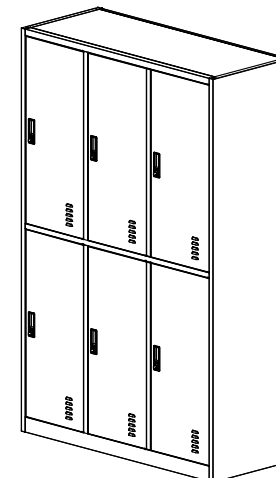
STEP 4

STEP 5

STEP 6



| Packing List | | | |
|--------------|--------|------|--------|
| Name | Number | Name | Number |
| A | 1 | G | 1 |
| B | 1 | H | 2 |
| C | 1 | I | 6 |
| D | 6 | J | 1 |
| E | 2 | K | 1 |
| F | 1 | L | 12 |



Mark of installing section components