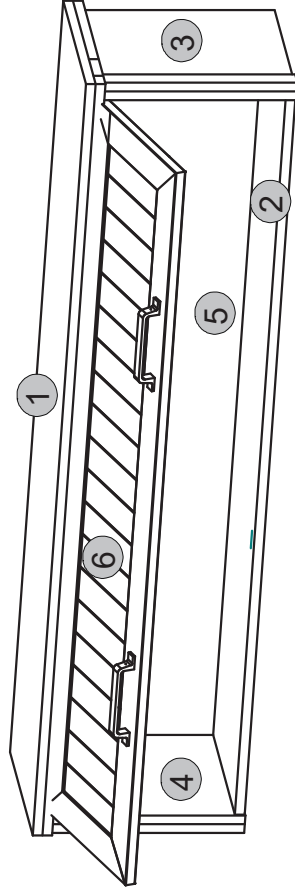
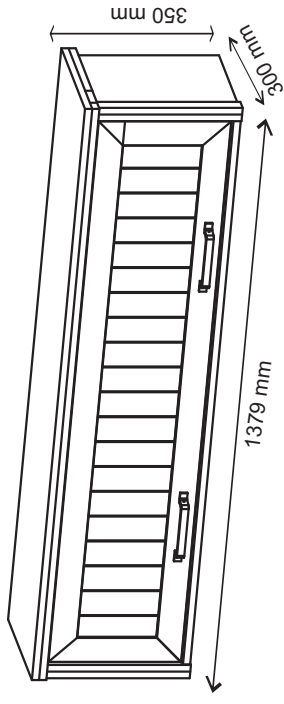
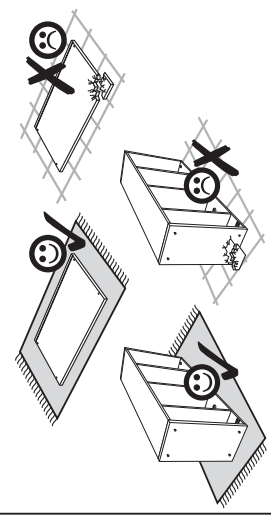
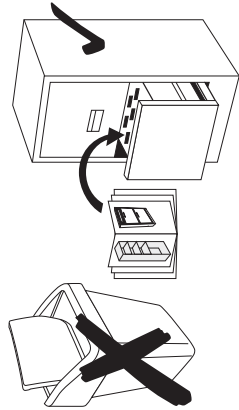
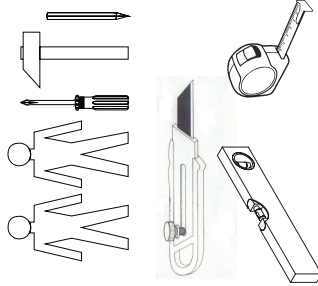
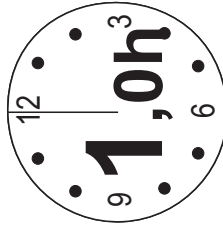
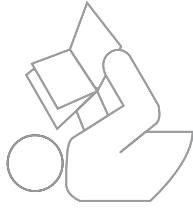


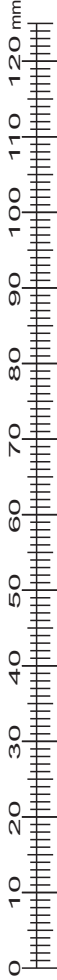
Instalation manual

SZAFKA WISZACA VERNE 3

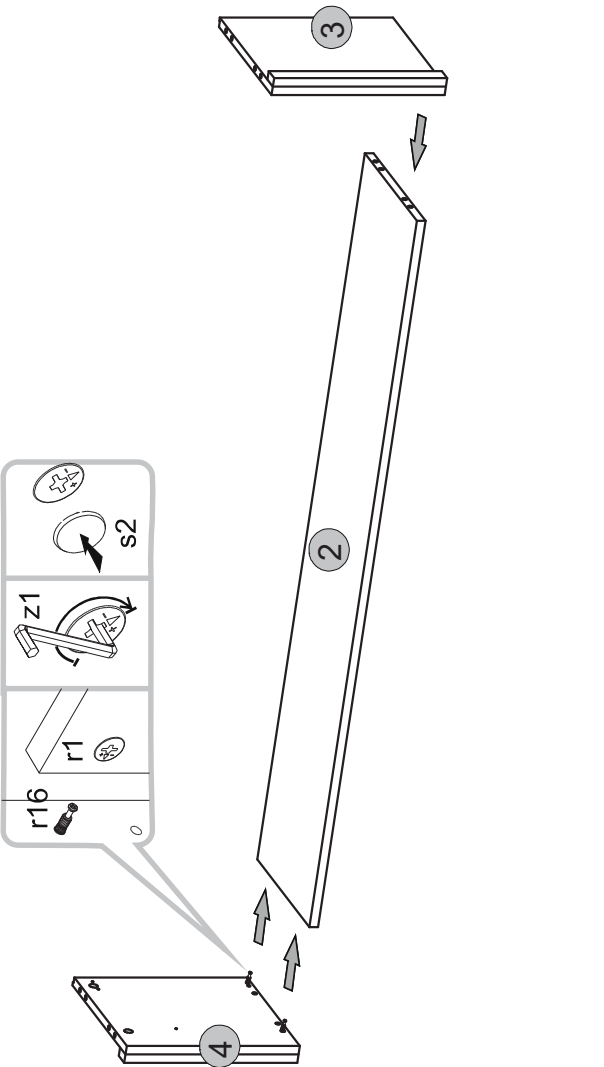


Element symbol	Dimensions	Code	Package
1	1379 300	WISZ_1D_vagonka.001	1/2
2	1313 290	WISZ_1D_vagonka.002	1/2
3	318 293	WISZ_1D_vagonka.005	1/2
4	318 293	WISZ_1D_vagonka.006	1/2
5	336 1331	WISZ_1D_vagonka.011	1/2
6	1307 295	WISZ_1D_vagonka.008	2/2

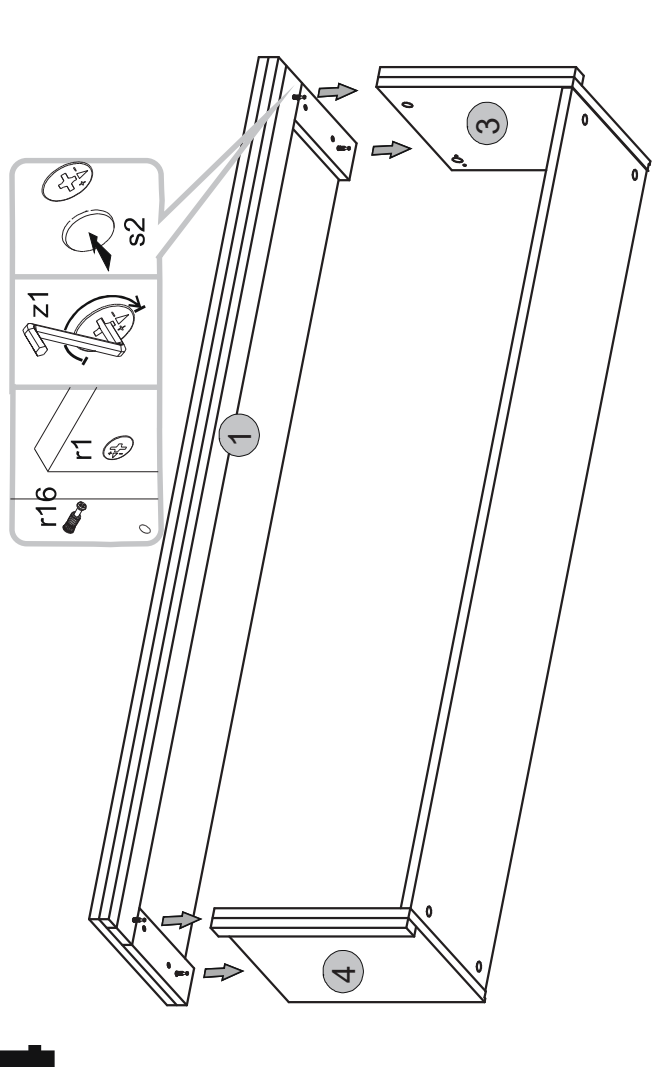
2x	f3 φ10x60 mm	2x	p29 φ4x60 mm	1x	m5 ^L	40x	l1
8 x	r16	8 x	s2	8 x	r1 φ1.5x1.2mm #16	4x	j8 M4x25 mm
1 x	z1	4x	p25 φ3.5x16 mm	2x	a143	4x	b119 φ4x30 mm
				1x	m5 ^L	2x	p21 φ4x30 mm



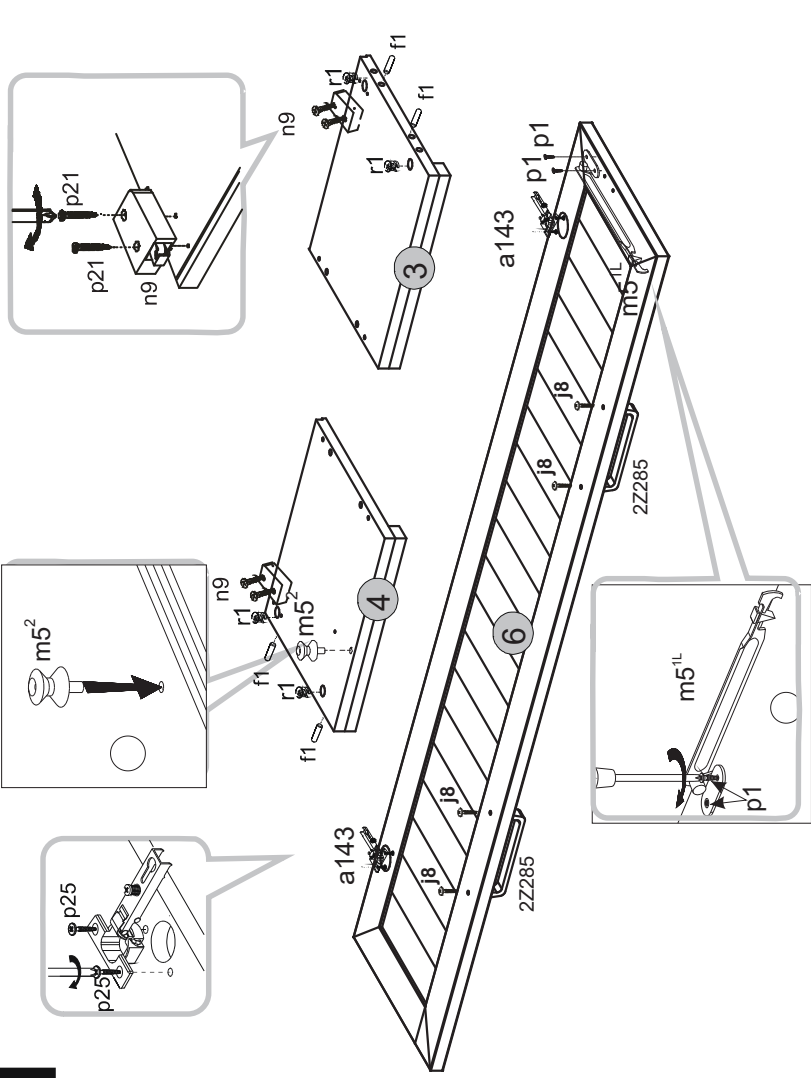
3



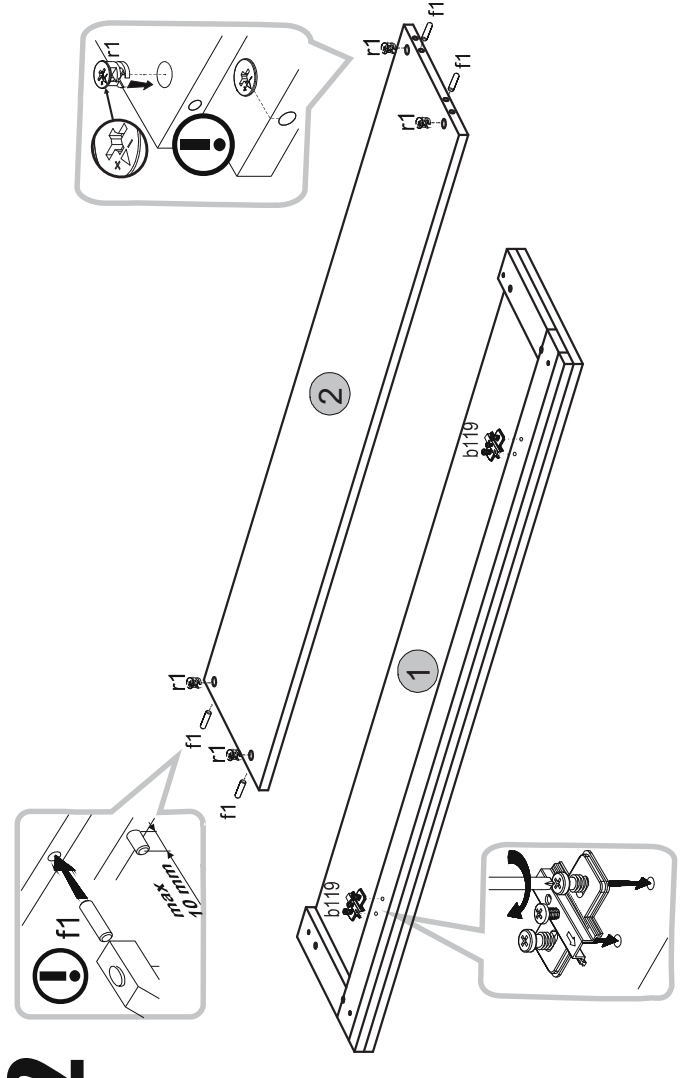
4



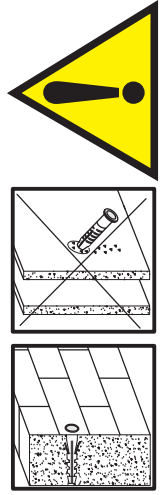
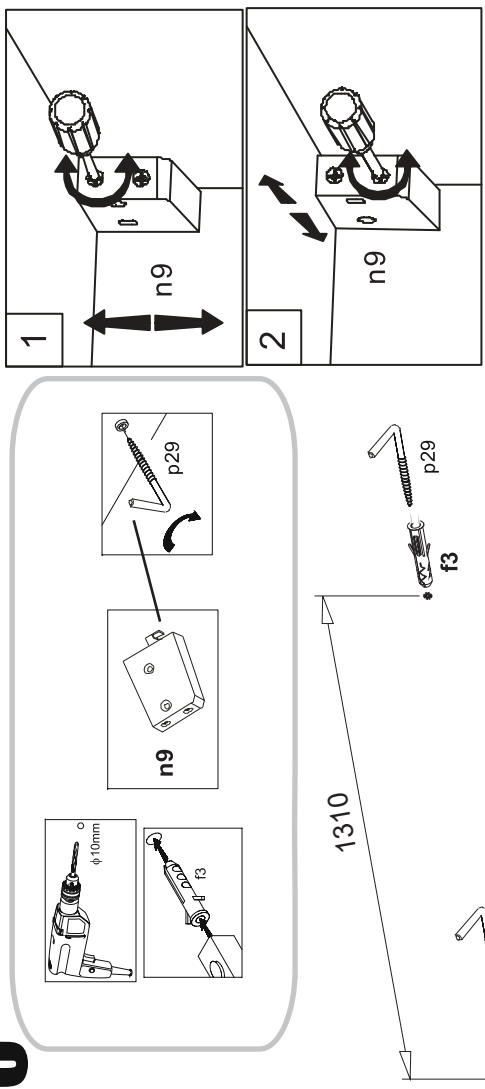
1



2



5



6

