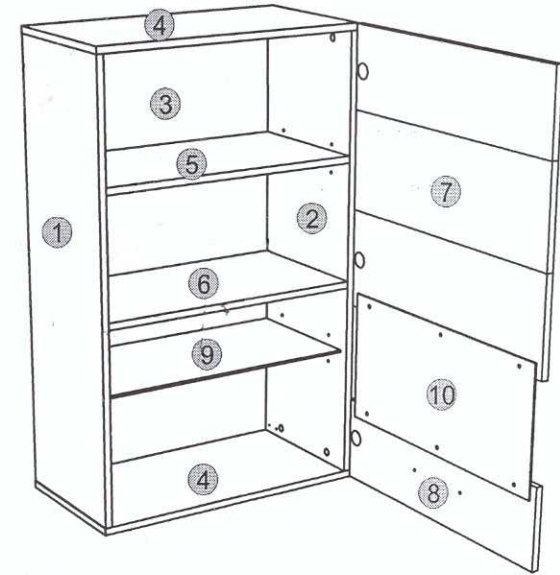
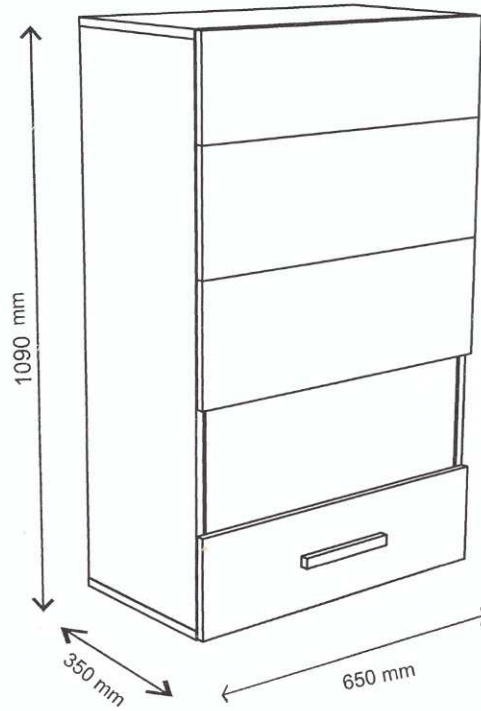
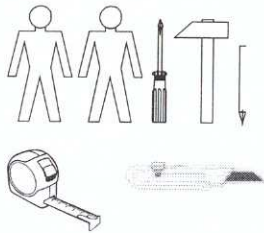
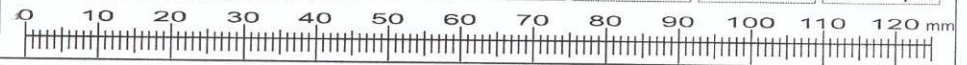
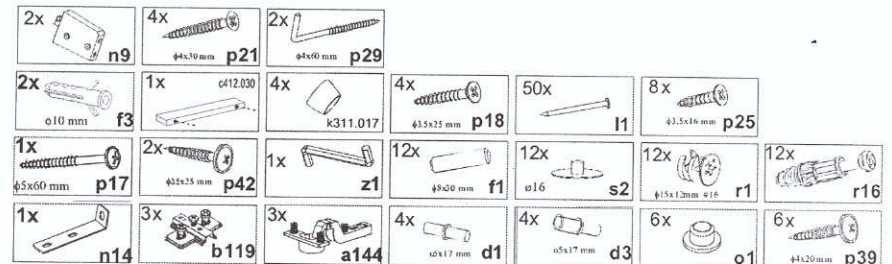
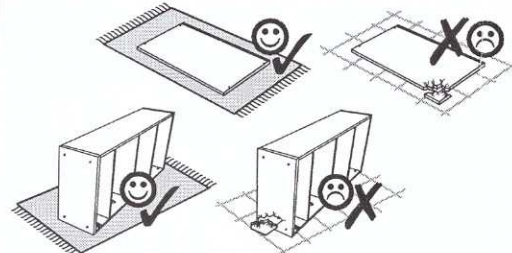
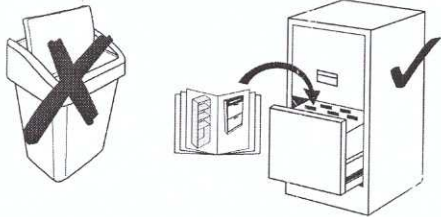


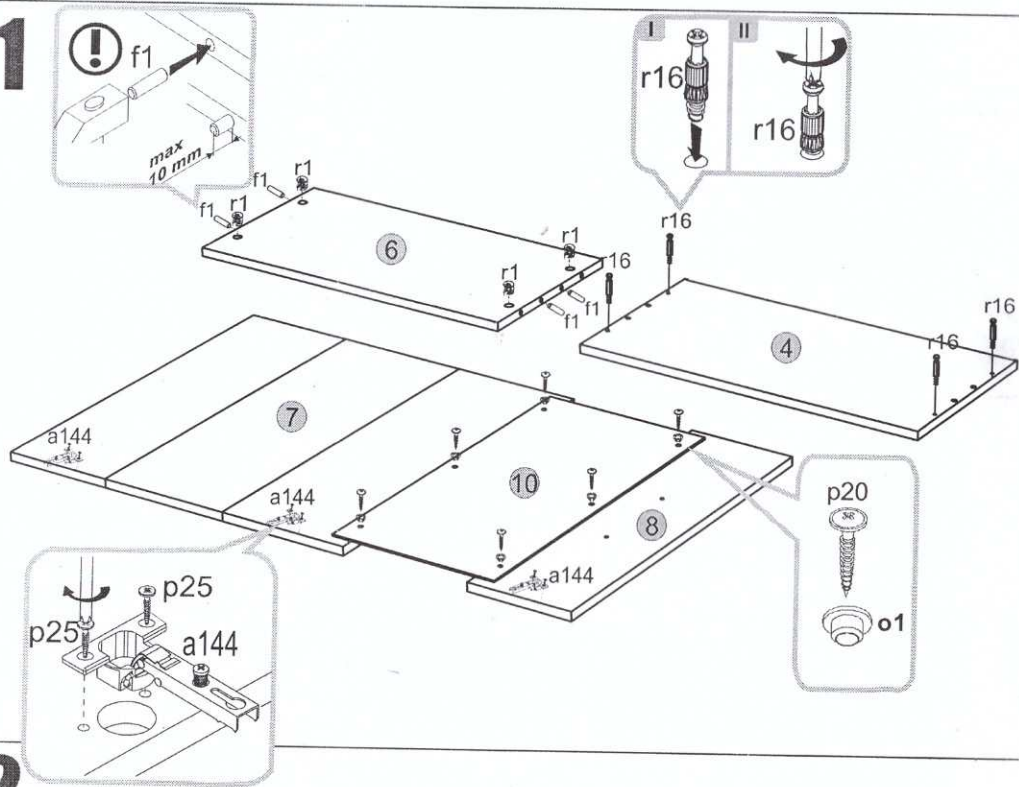
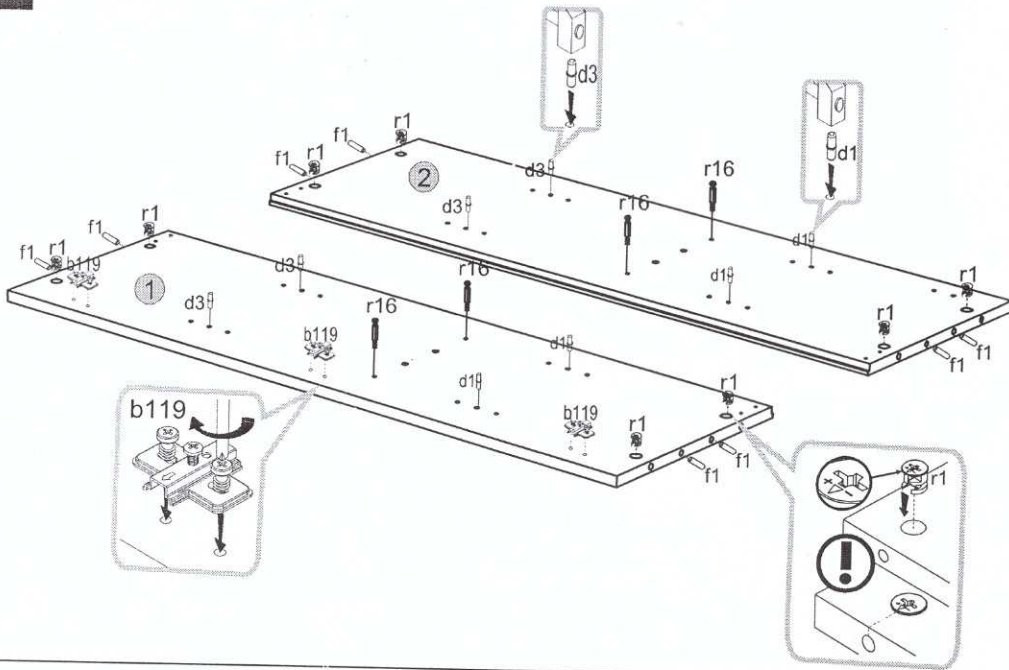
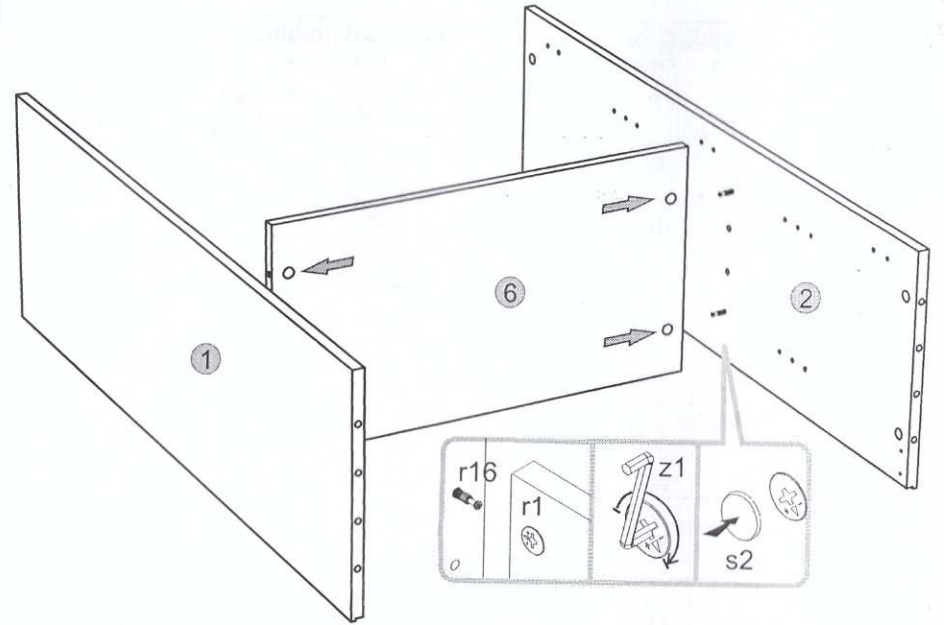
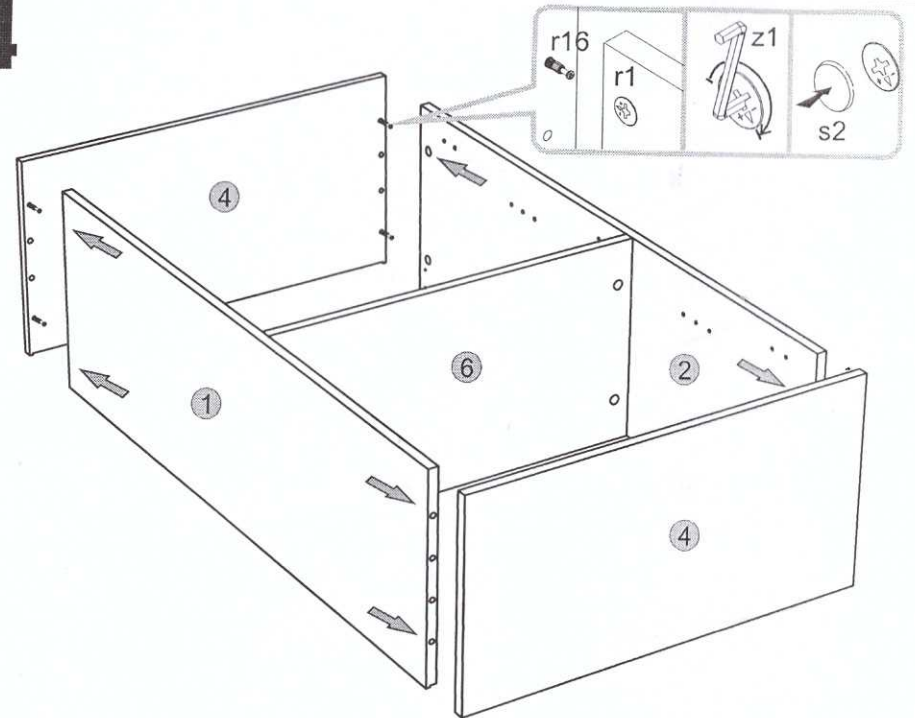
# Instalation manual

SOLO: WIT2\_1W

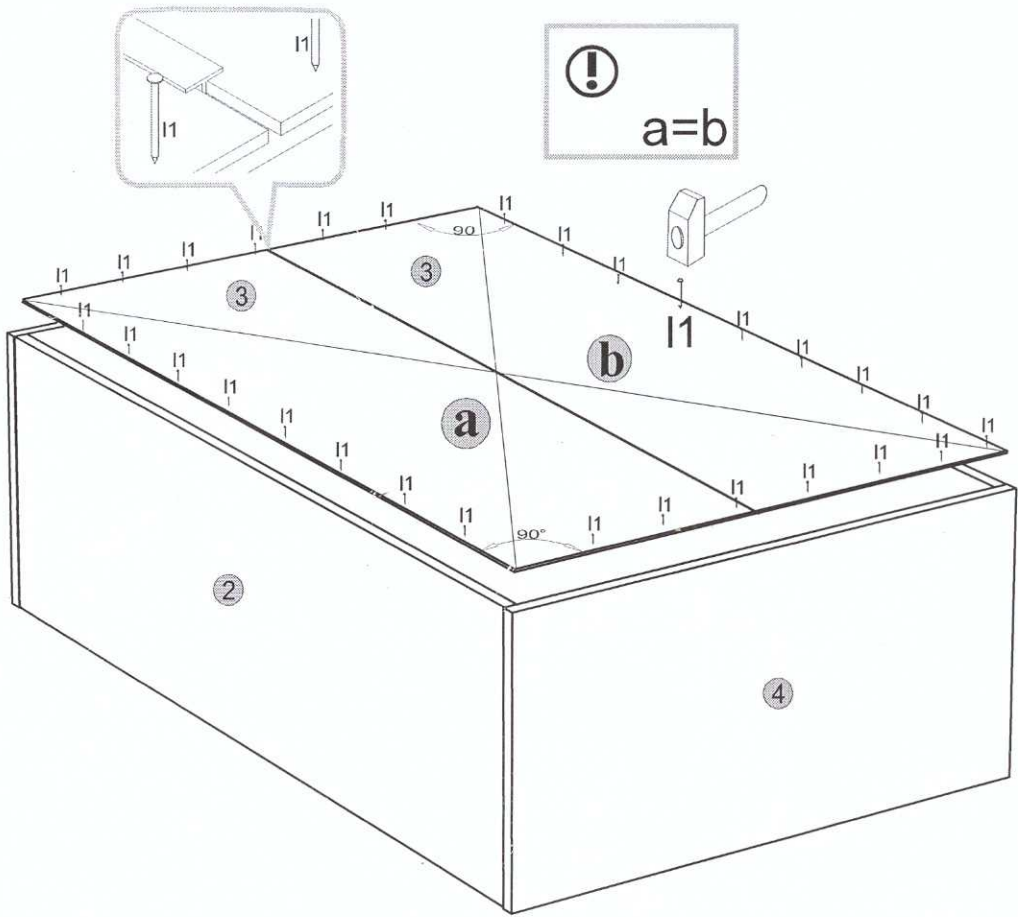


Element symbol	Dimensions			Code	Package
1	1028	333	16	1 SN-159	1/1
2	1028	333	16	1 SN-158	1/1
3	1046	316	3	2 SN-634	1/1
4	649	334	16	2 SN-226	1/1
5	615	330	16	1 SN-339	1/1
6	615	330	16	1 SN-338	1/1
7	642	645	16	1 SN-051	1/1
8	188	645	16	1 SN-589	1/1
9	614	308	5	1 SN-340	1/1
10	297	606	4	1 SN-052	1/1

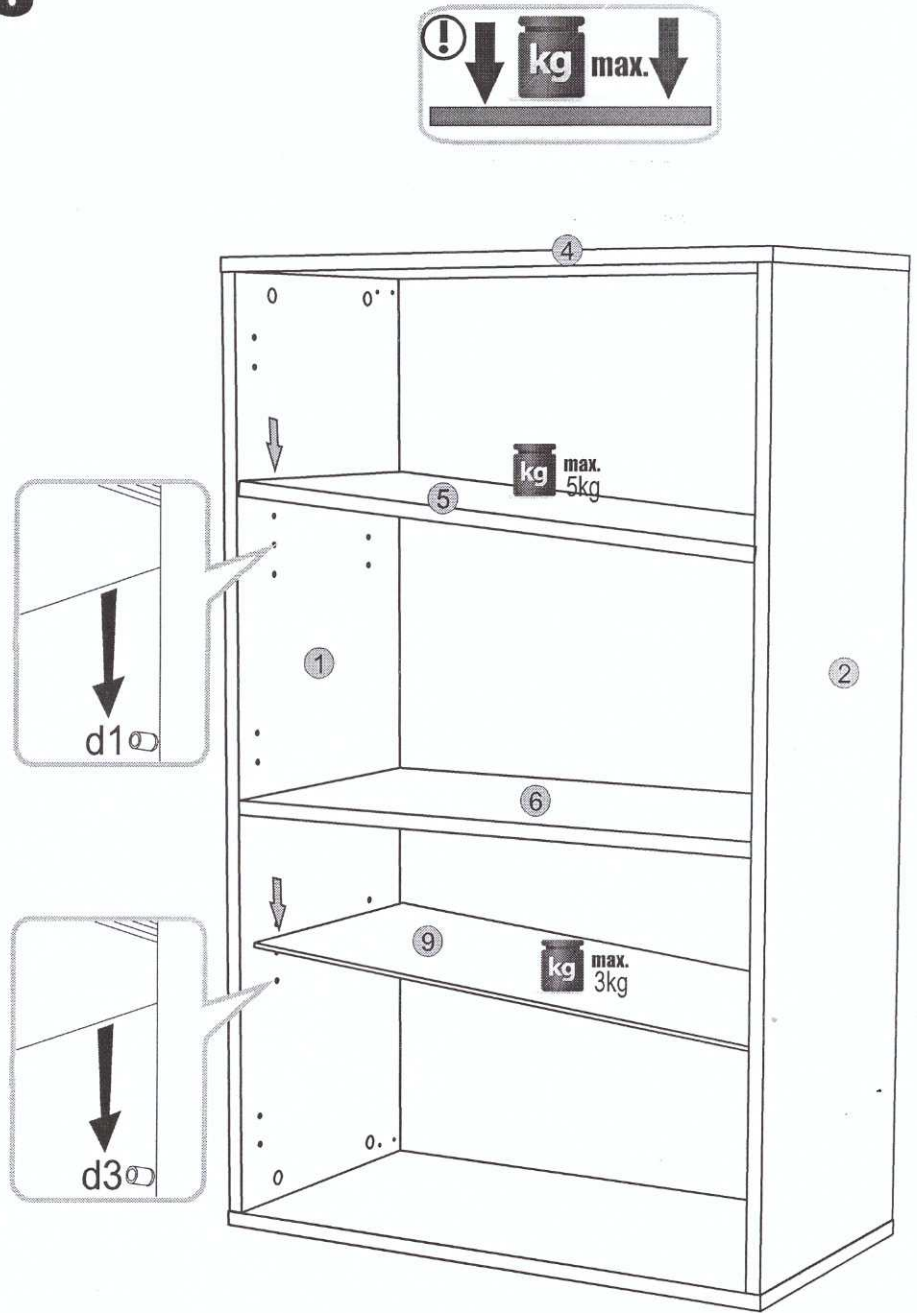


**1****2****3****4**

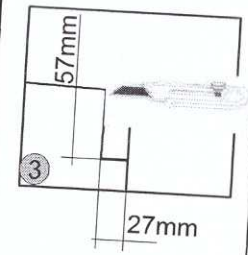
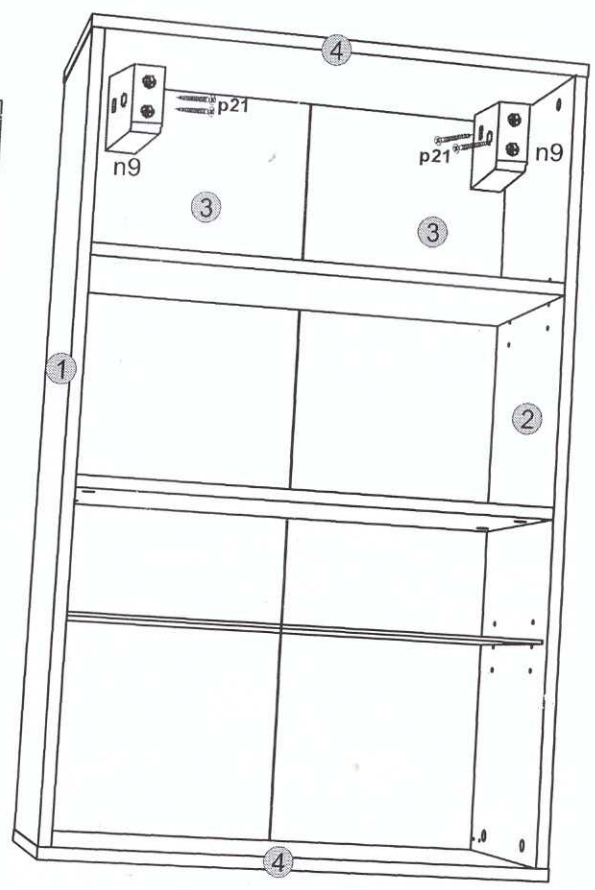
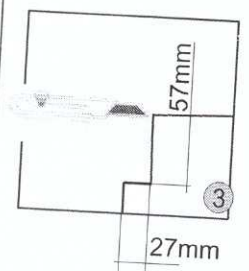
# 5



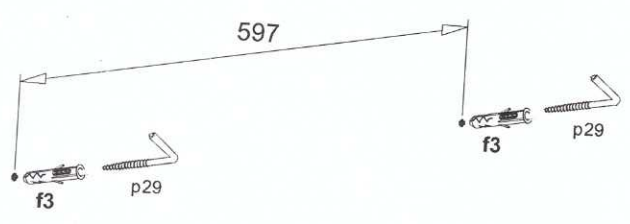
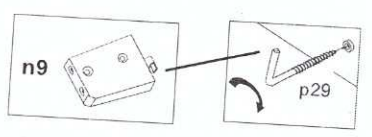
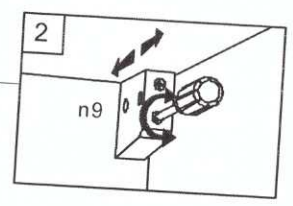
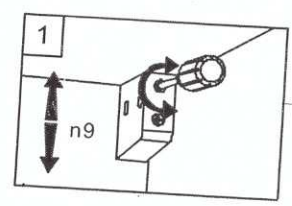
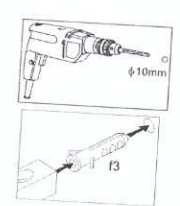
# 6



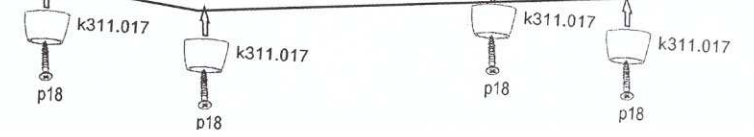
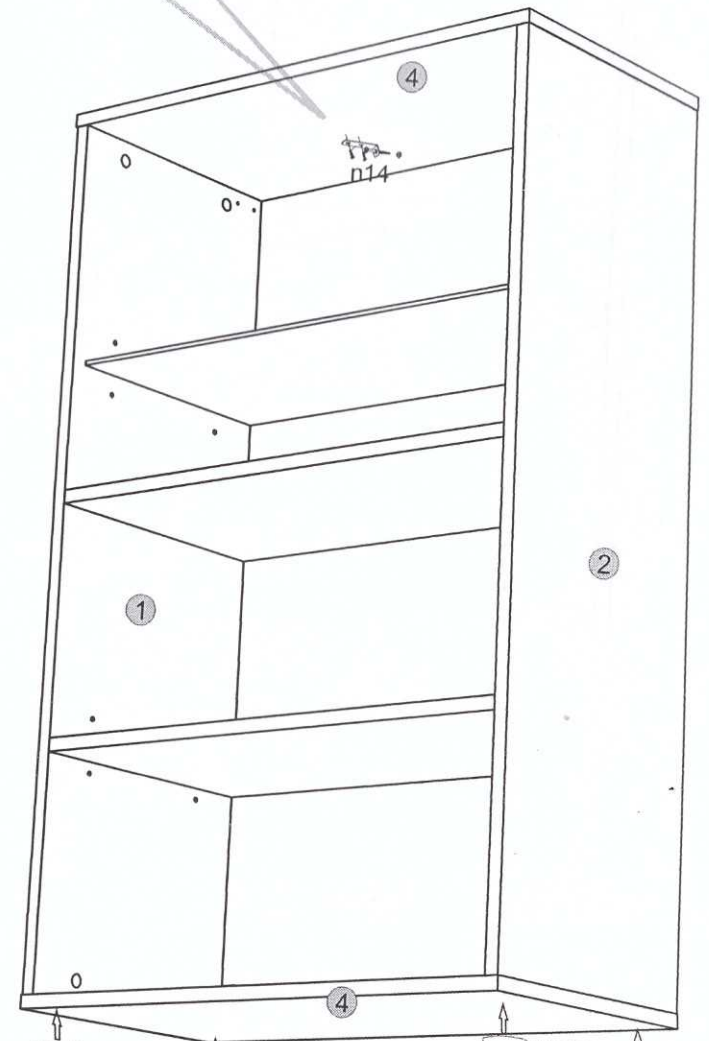
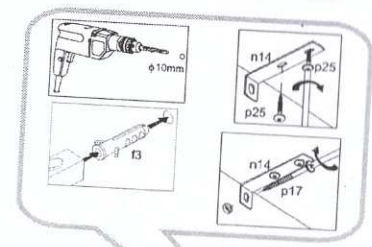
7



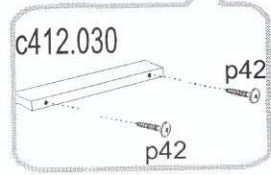
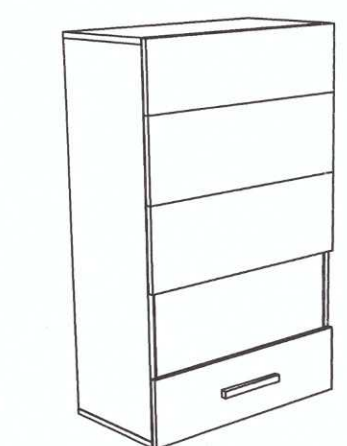
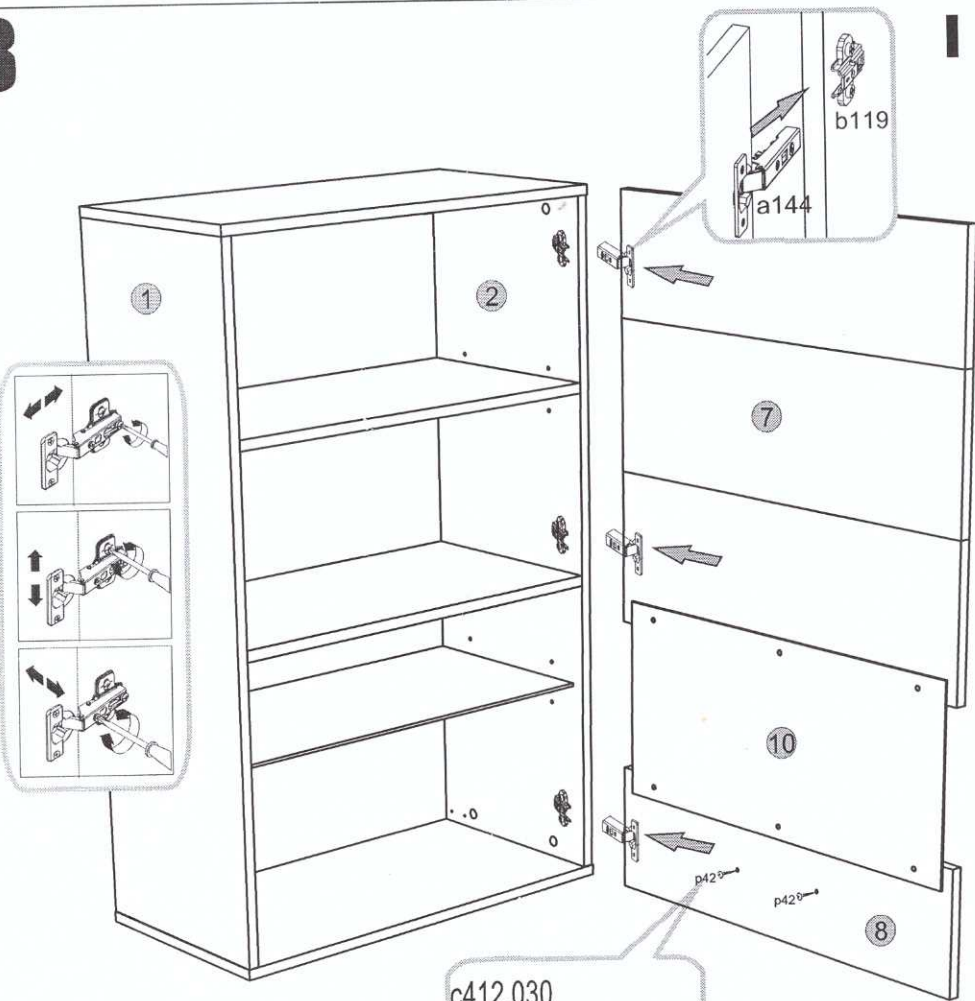
I



II



8



11

