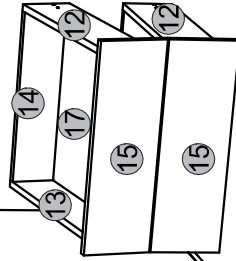
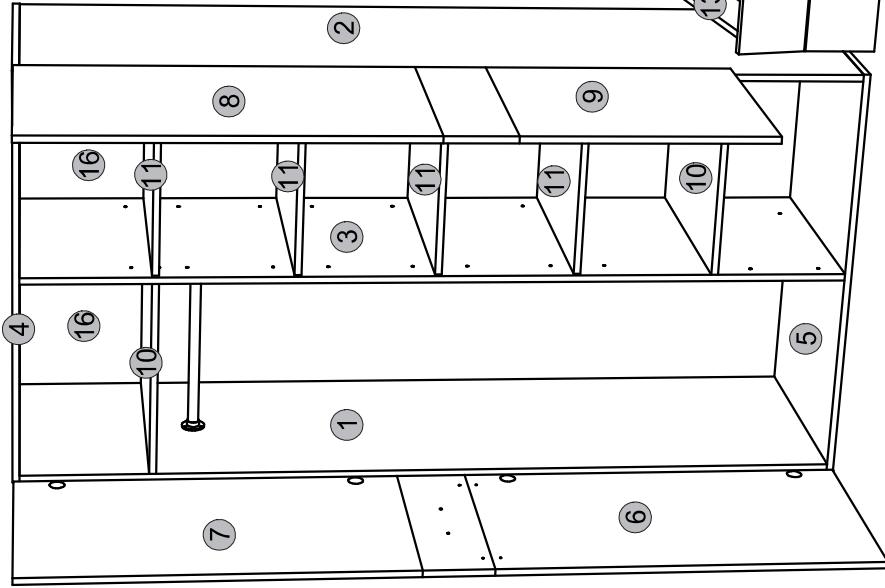
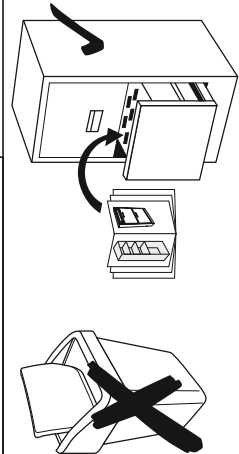
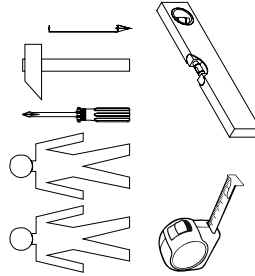
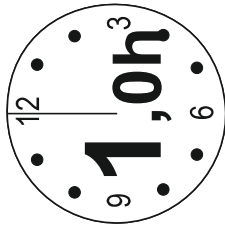
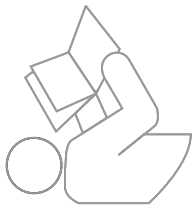
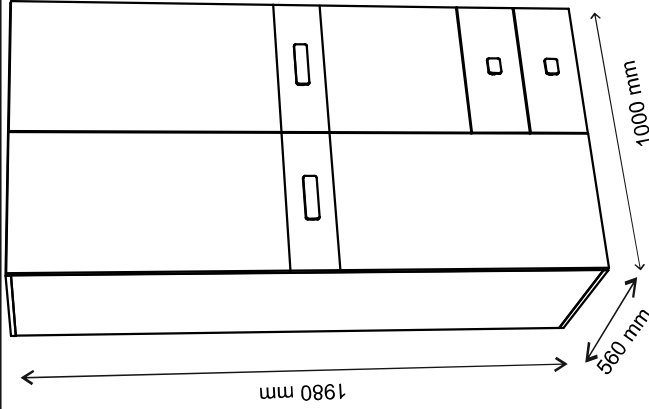


Instalation manual

PAMP: Wardrobe 2D2S

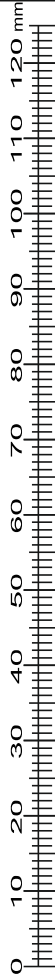


- 2x n301
- 4x n121.03
- 1x y1
- 1x z1
- 1x n14
- 1x f28
- 16x p38
- 16x e1
- 2x c6k330/32
- 4x n121.03
- 1x y1
- 1x z1
- 1x n14
- 1x f28
- 2x p38
- 16x e1
- 2x c6k330/128
- 5x p52
- 28x f1
- 8x p42

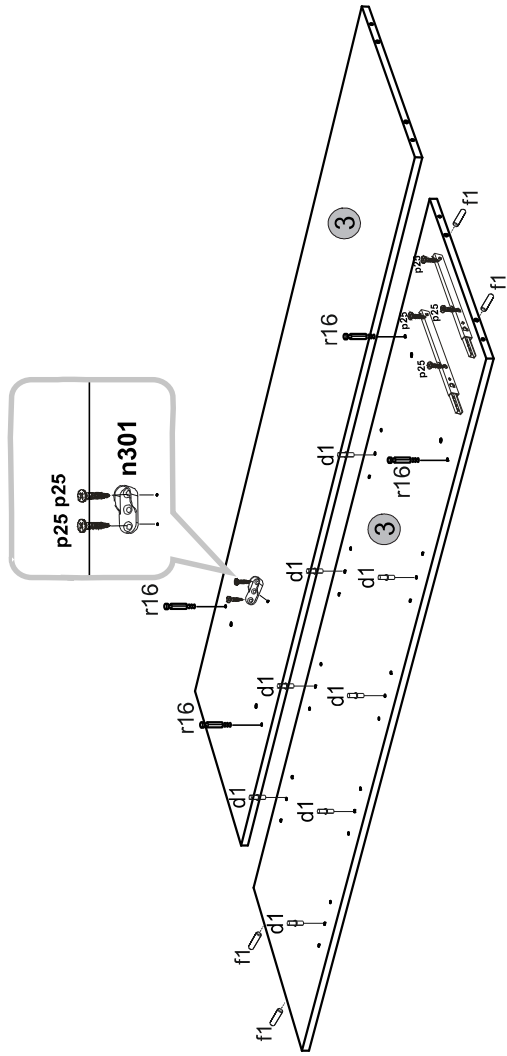


Element symbol	Dimensions	Code	Package
1	1928 544 16	SZF_2D2S.001	1/1
2	1928 544 16	SZF_2D2S.002	1/1
3	1928 541 16	SZF_2D2S.003	1/1
4	1000 544 16	SZF_2D2S.004	2/2
5	1000 544 16	SZF_2D2S.005	2/2
6	897 496 16	SZF_2D2S.006	3/3
7	1059 496 16	SZF_2D2S.007	3/3
8	1059 496 16	SZF_2D2S.008	3/3
9	487 496 16	SZF_2D2S.009	3/3
10	475 541 16	SZF_2D2S.010	2/2
11	475 530 16	SZF_2D2S.011	2/2
12	500 120 16	SZF_2D2S.012	2/2
13	500 120 16	SZF_2D2S.013	2/2
14	417 120 16	SZF_2D2S.014	2/2
15	496 202 16	SZF_2D2S.018	1/1
16	1946 492 3	SZF_2D2S.015	1/1
17	431 498 3	SZF_2D2S.016	1/1

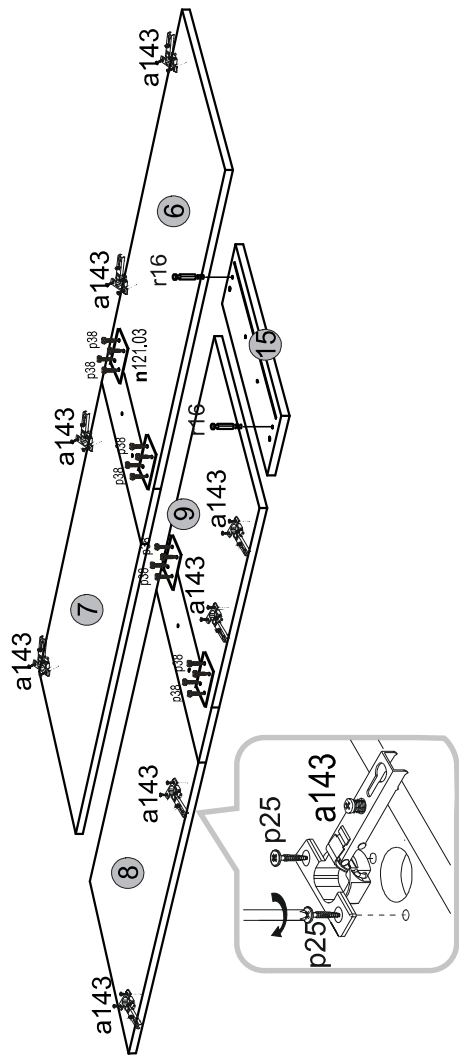
- 10x p18
- 12x s2
- 5x i1
- 8x b119
- 16x d1
- 8x a144
- 48x p25
- 12x r1



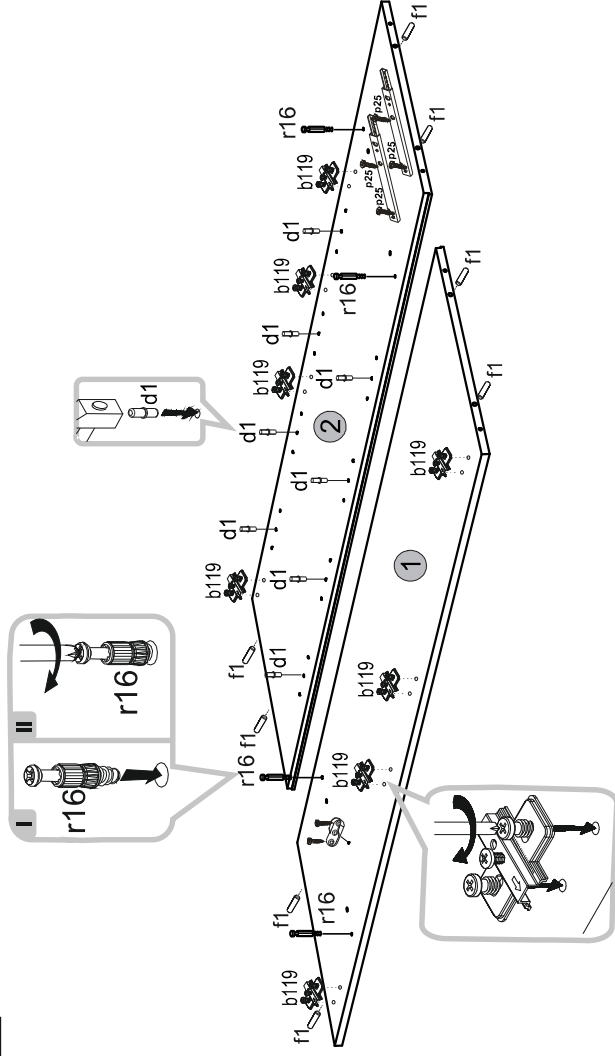
1



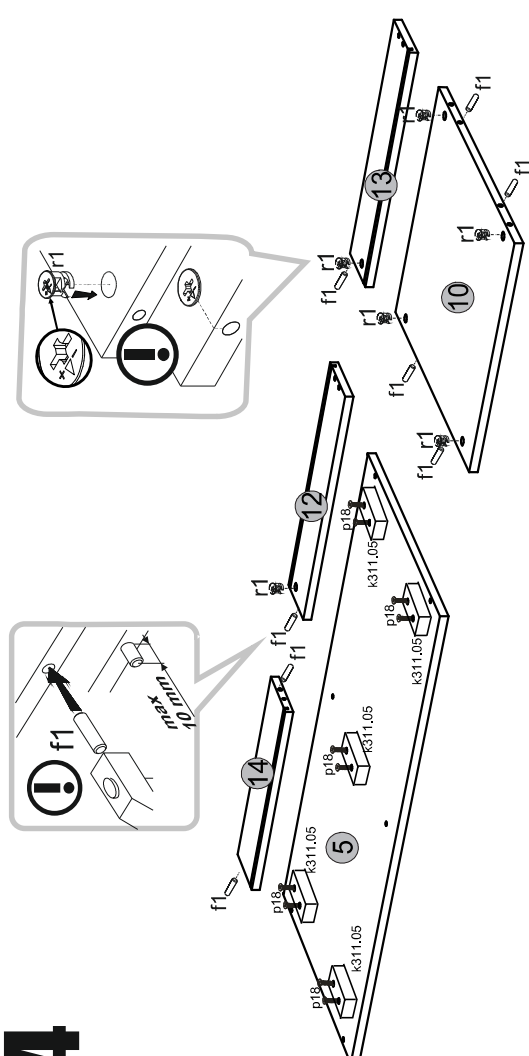
3



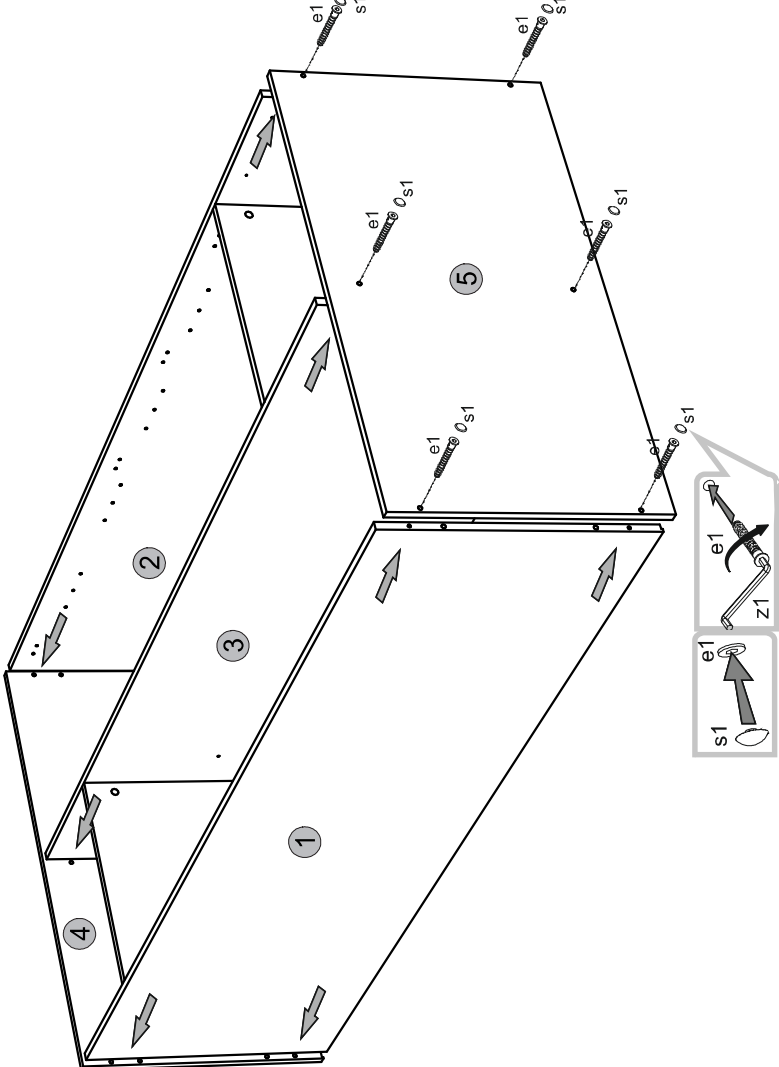
2



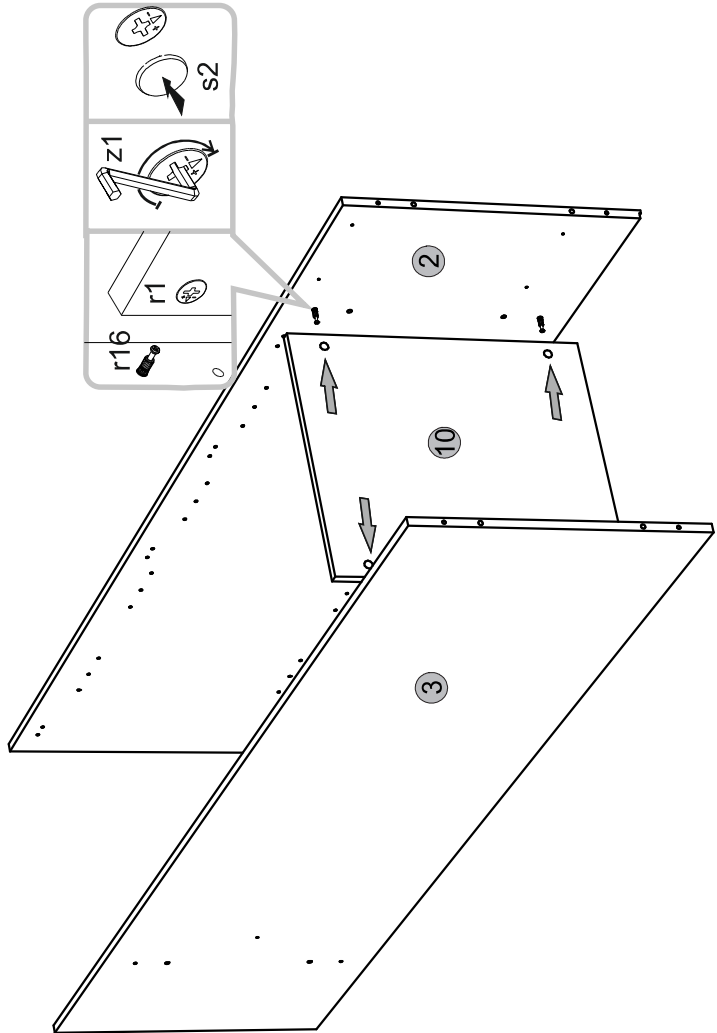
4



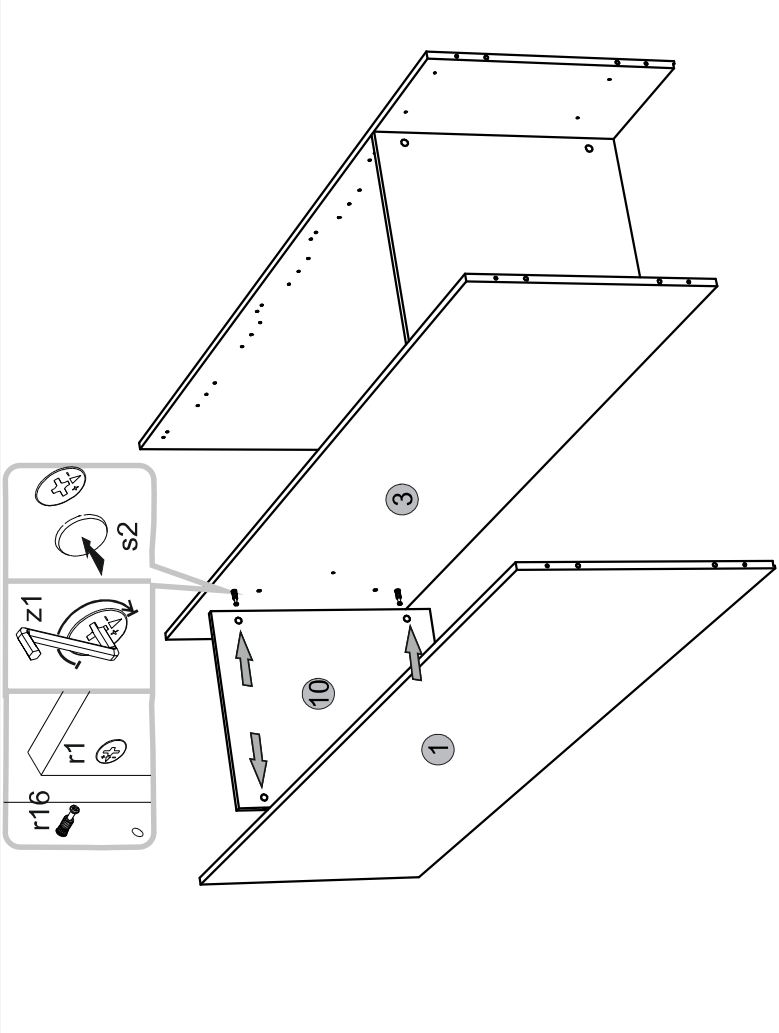
7



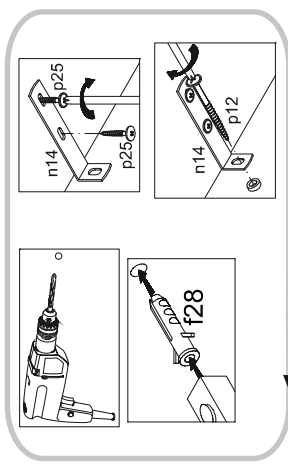
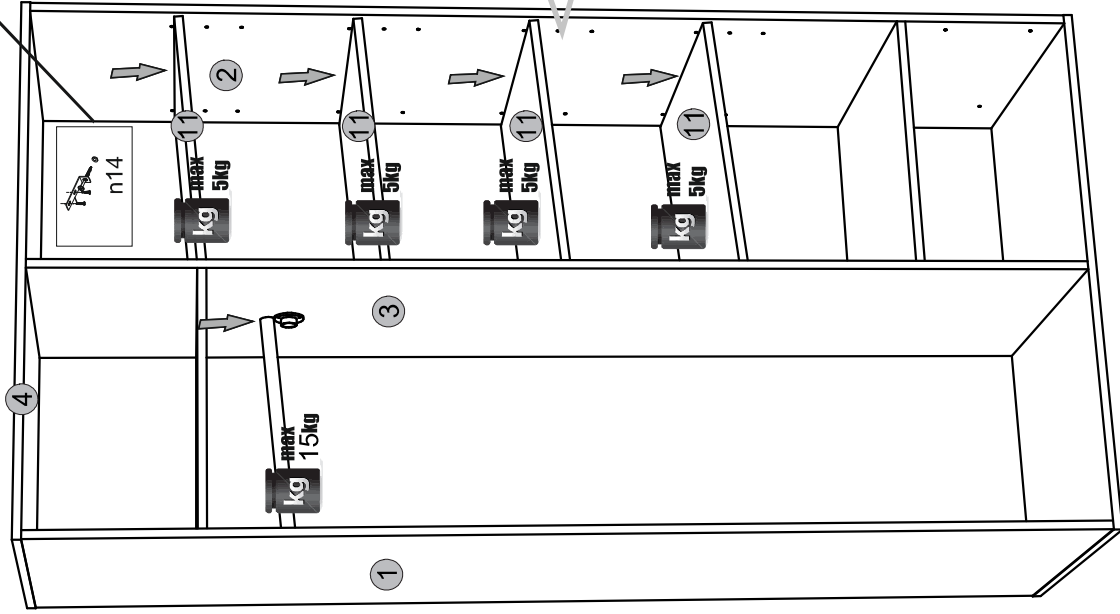
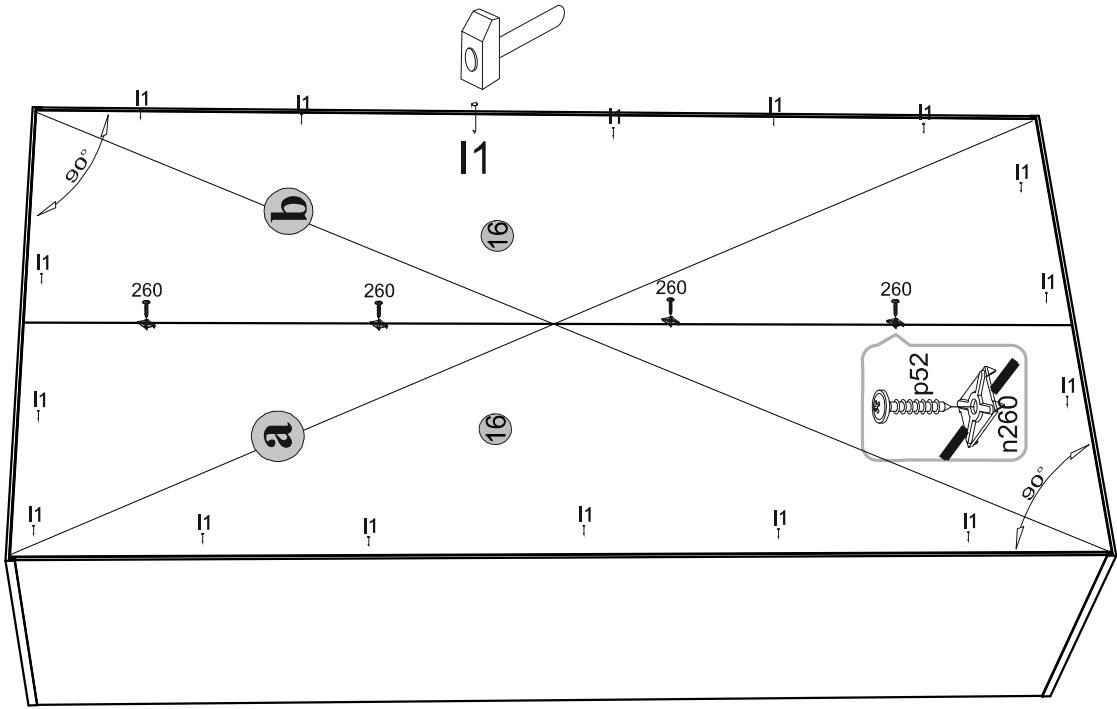
5



6

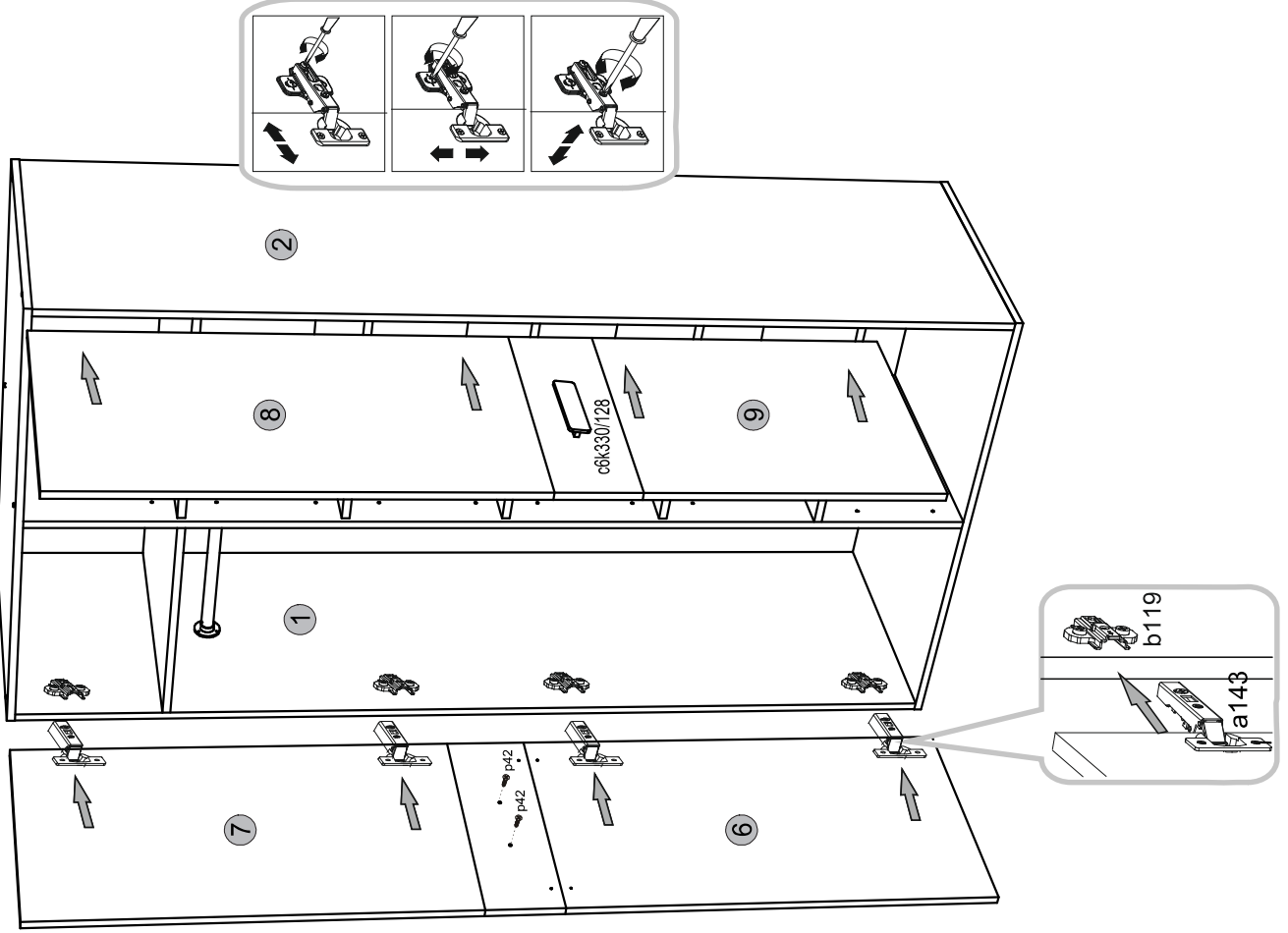


! $a=b$



! **kg max.**

10



11

