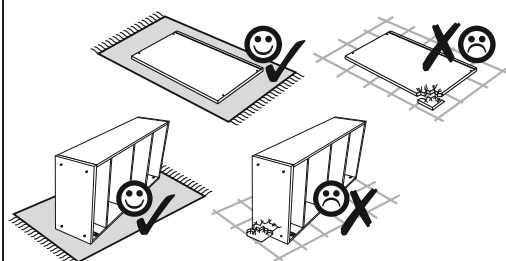
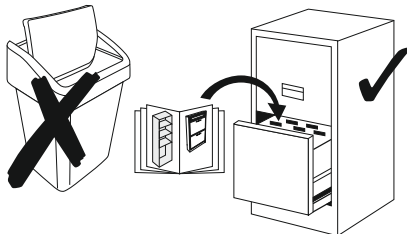
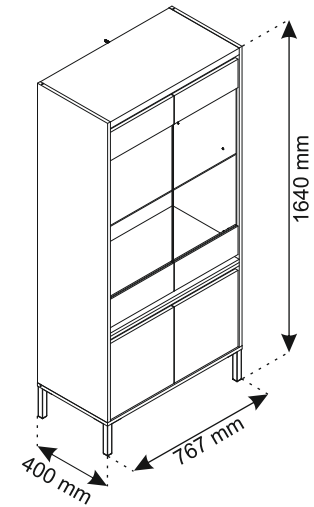
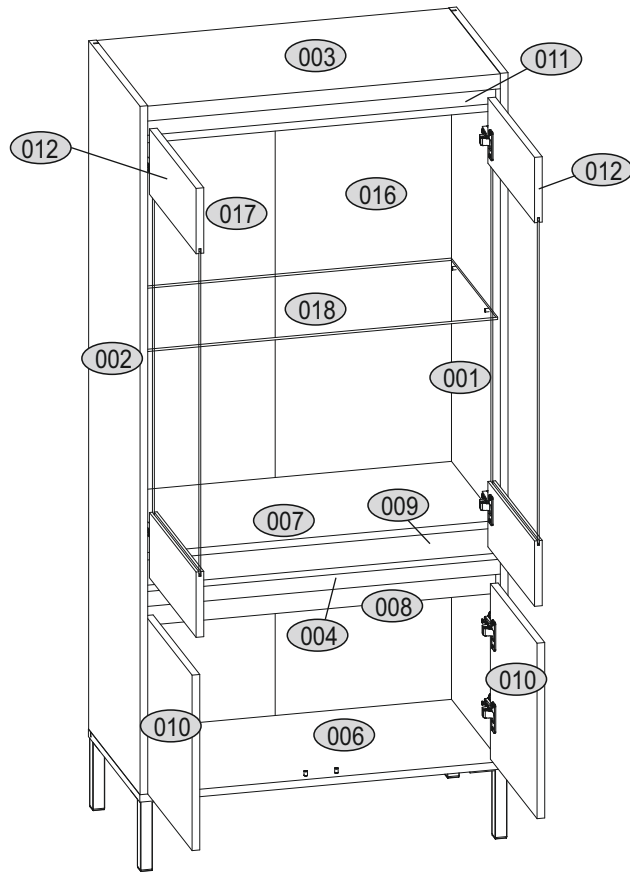
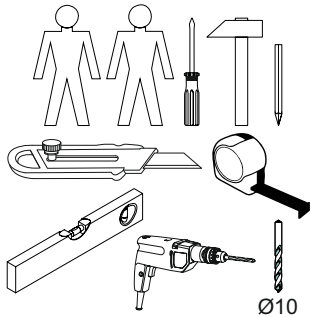
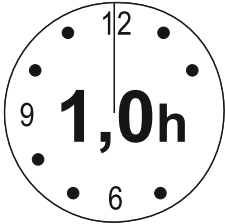












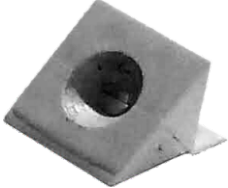






# Installation manual

## Palmor Showcase 2W2D



Code	Dimensions			Package	
	mm	mm	mm	Qty	Units
001	1475	400	16	1	2/4
002	1475	400	16	1	2/4
003	735	400	16/32	1	1/4
004	735	100	16/32	1	1/4
006	768	400	16	1	1/4
007	735	360	16	1	1/4
008	735	70	16	1	1/4
009	735	60	16	1	1/4
010	376	363	16	2	1/4
011	735	70	16/32	1	1/4
012	962	140	16	2	3/4
016	1476	376	3	1	2/4
017	1476	376	3	1	2/4
018	735	360	5	1	4/4
accessories				1	1/4

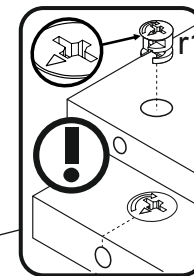
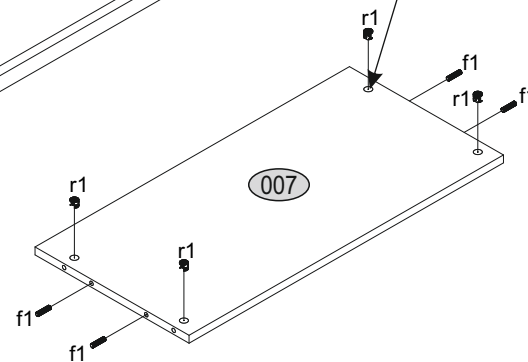
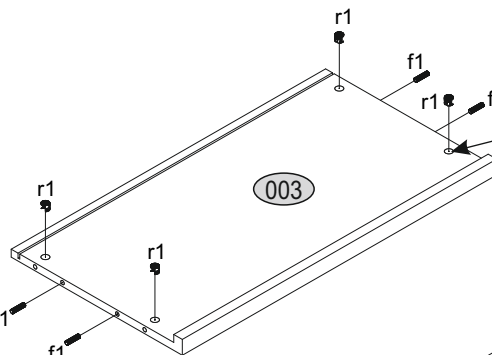
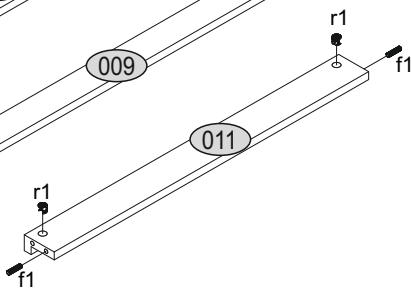
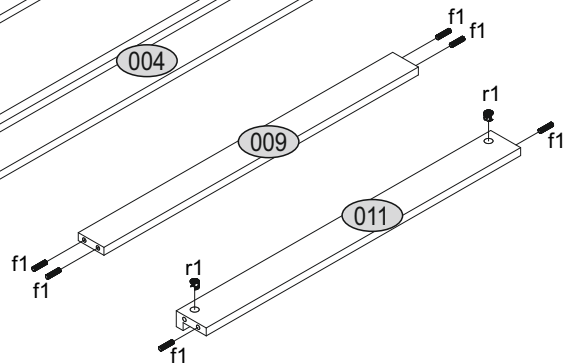
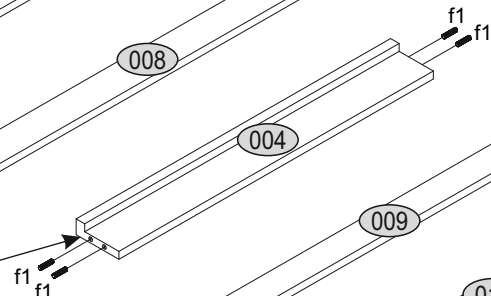
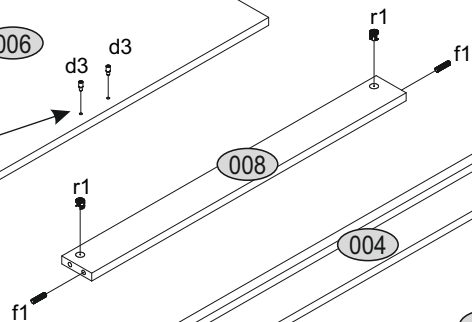
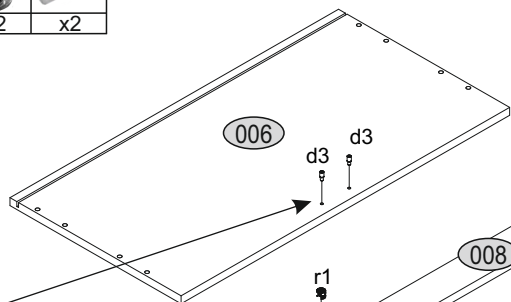
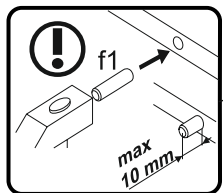
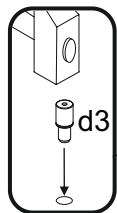
# Accessories:

<p>6x d3</p> 	<p>4x k311.054</p> 	<p>8x a143</p> 	<p>4x s2</p> 
<p>8x b119</p> 	<p>1x n14</p> 	<p>1x p17 Ø6x50</p> 	<p>1x f3 Ø10x50</p> 
<p>4x e1 Ø7x50</p> 	<p>12x r1 Ø15x12</p> 	<p>10x l2</p> 	<p>12x r16 Ø5x24</p> 
<p>24x f1 Ø8x30</p> 	<p>46x p25 Ø3.5x16</p> 	<p>2x n260.01</p> 	<p>1x z1</p> 
<p>8x s4</p> 			



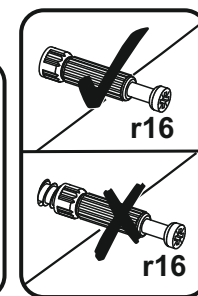
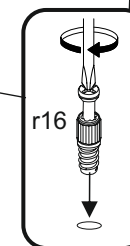
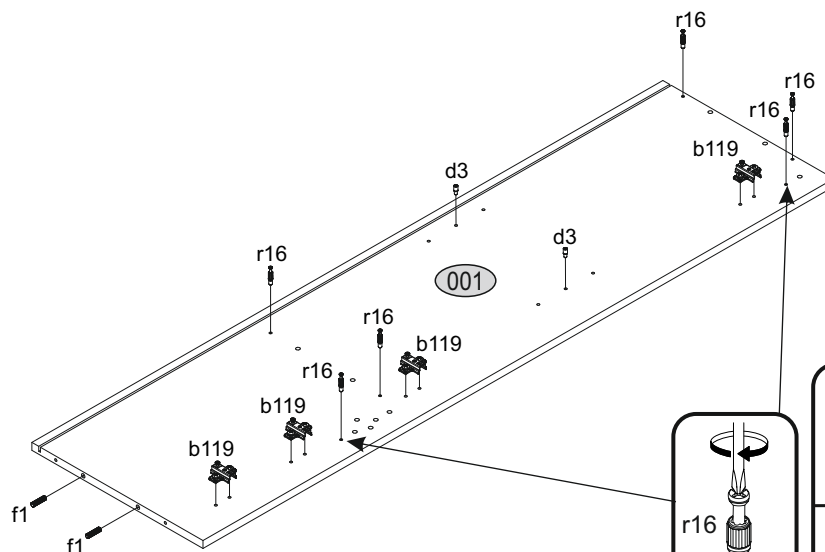
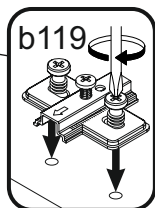
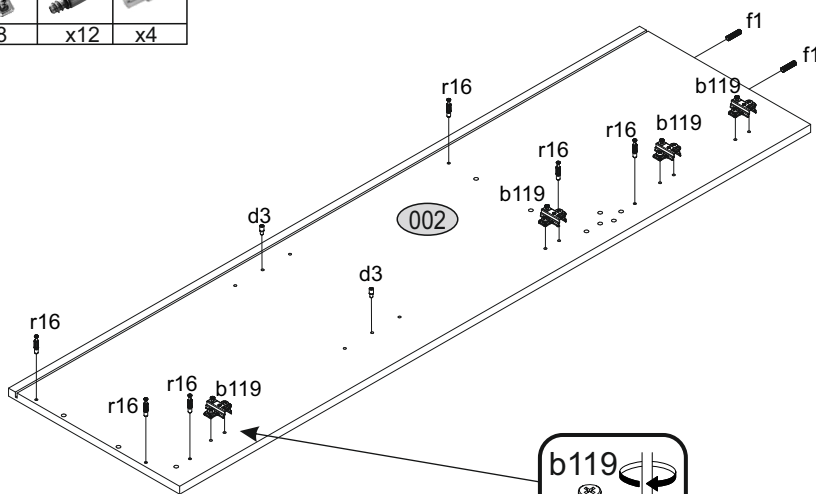
# 1

f1	r1	d3
x20	x12	x2



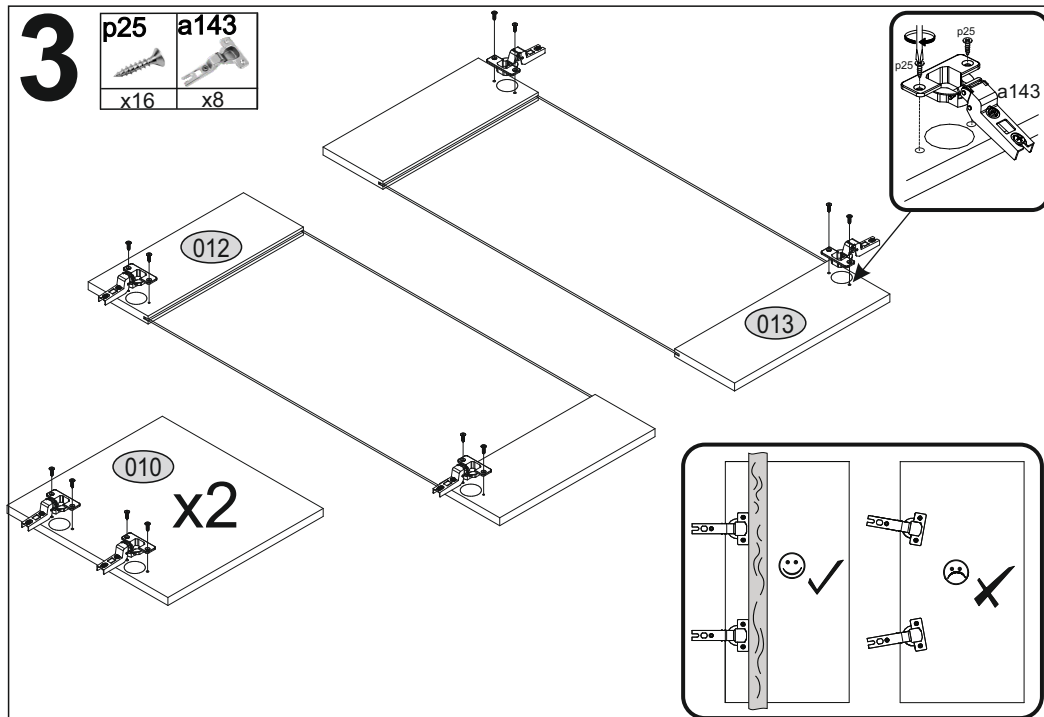
# 2

f1	b119	r16	d3
x4	x8	x12	x4

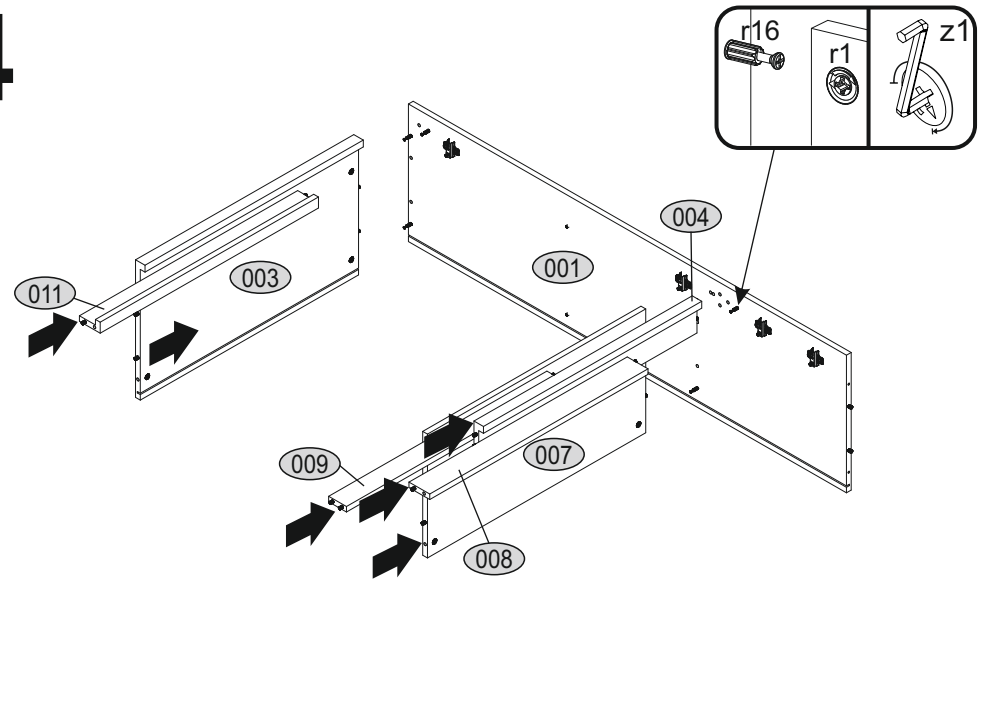


# 3

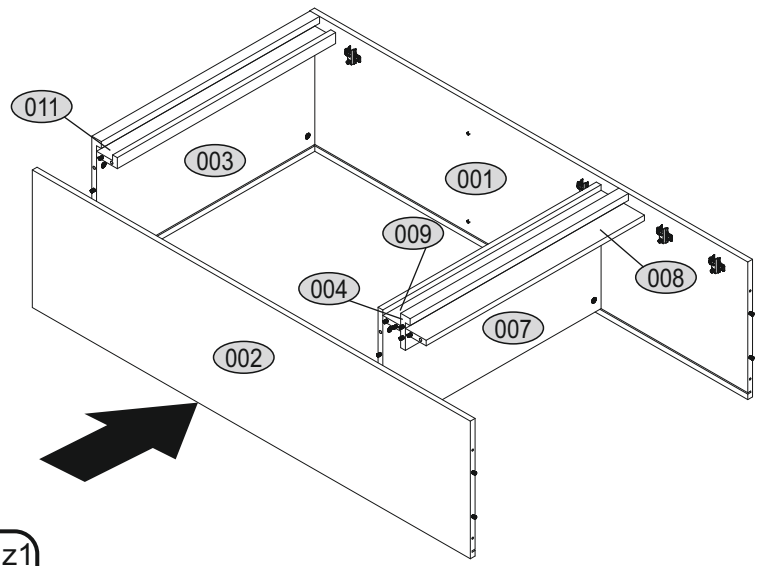
p25	a143
x16	x8



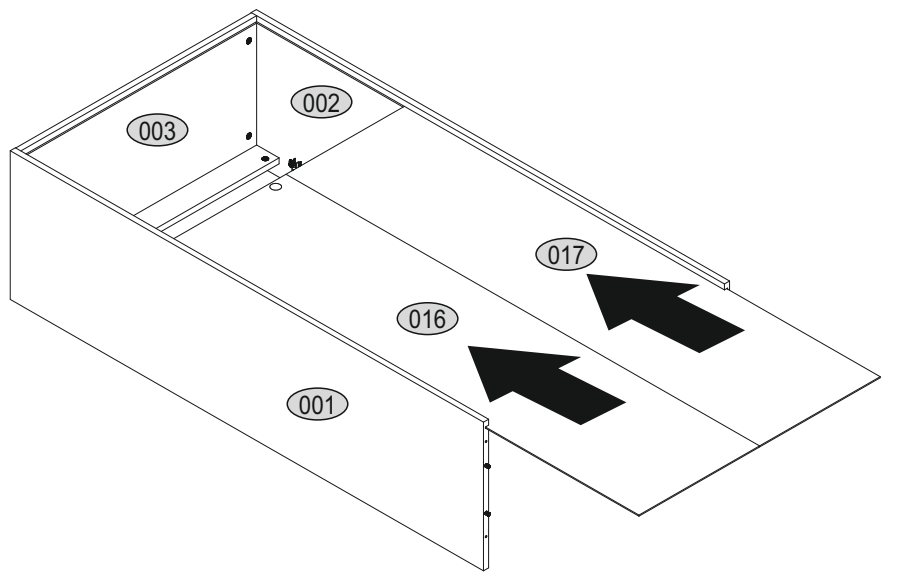
# 4



# 5

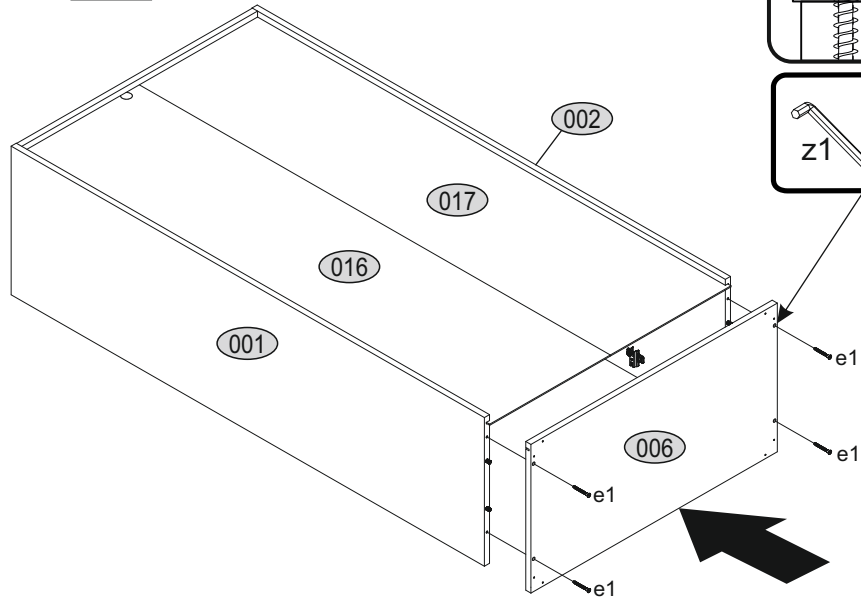
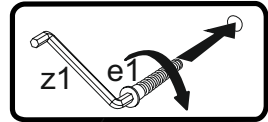
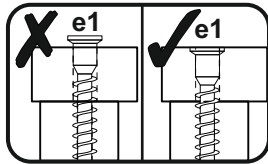
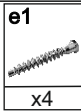


# 6

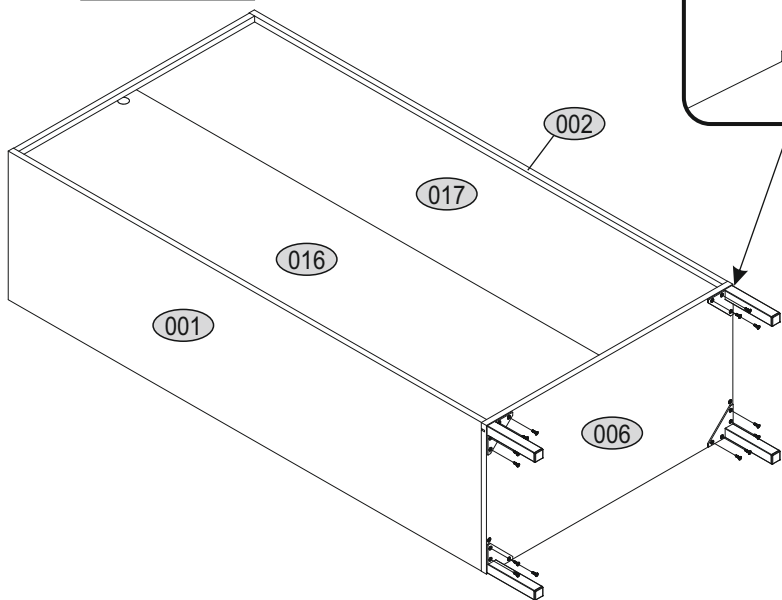
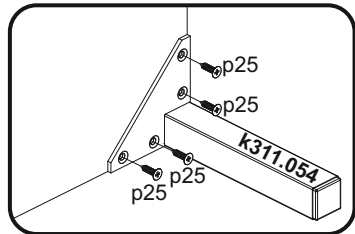
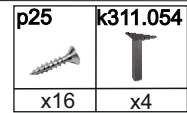


r16	r1	z1
-----	----	----

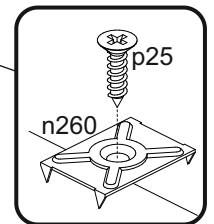
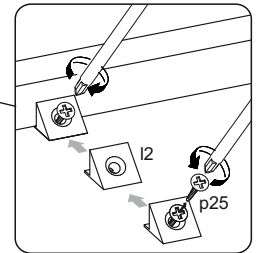
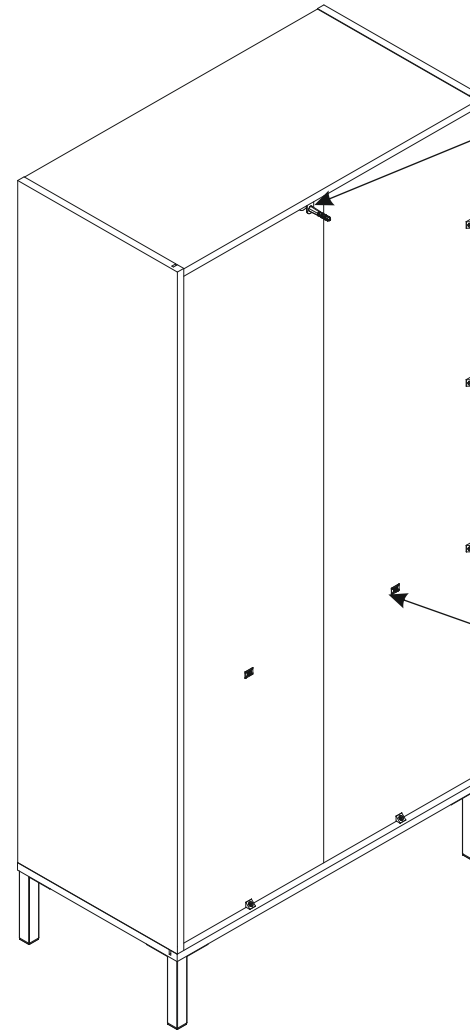
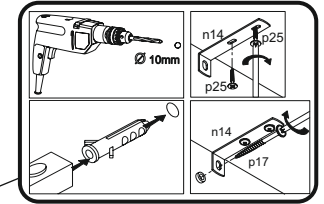
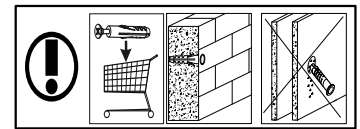
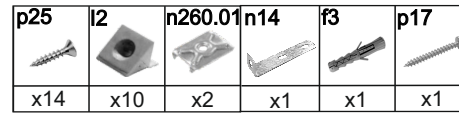
# 7



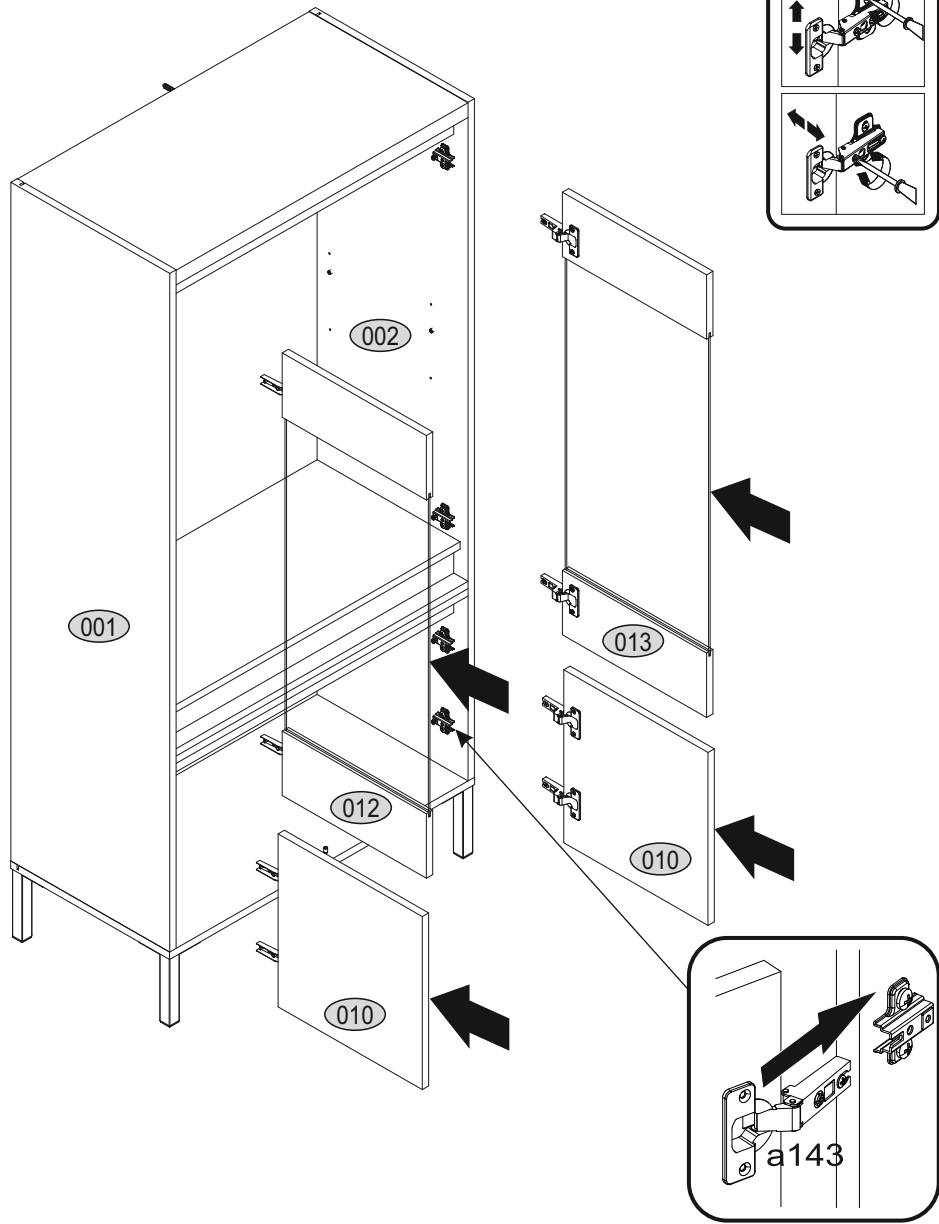
# 8



# 9



# 10



# 11

s2	s4
x4	x8

