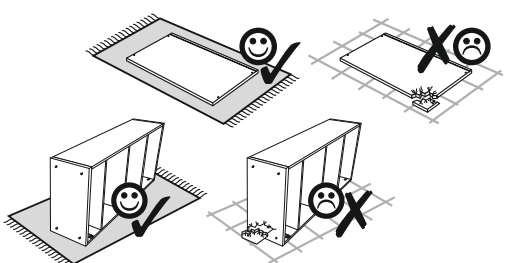
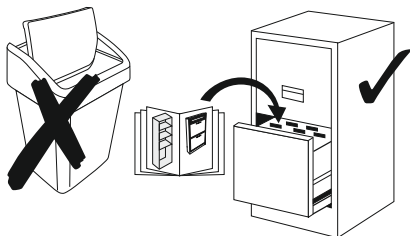
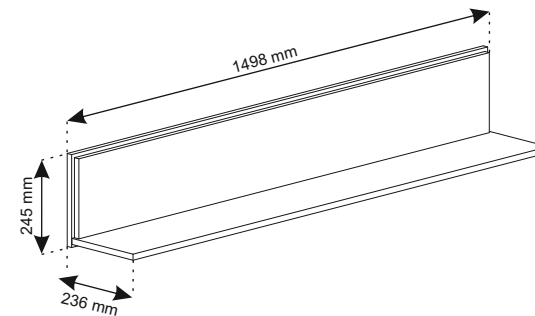
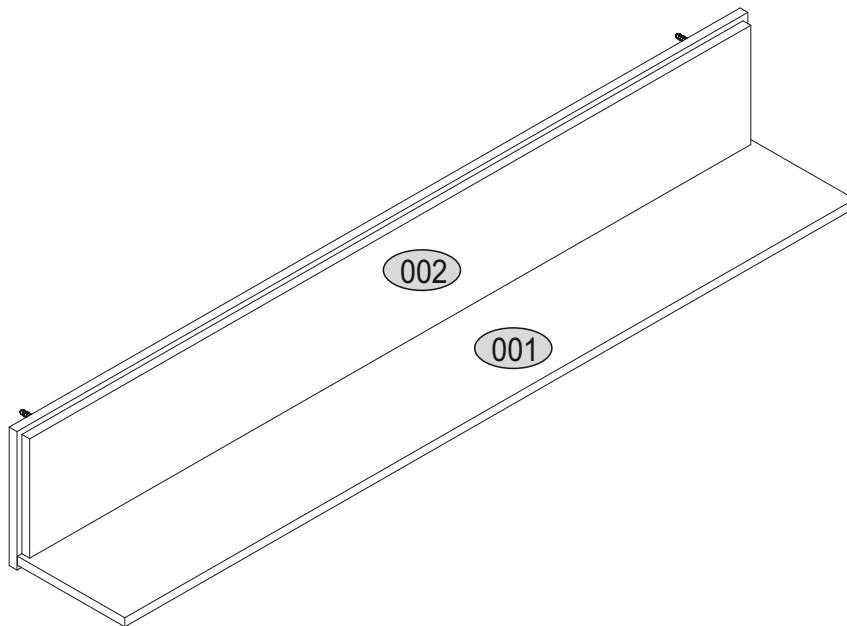
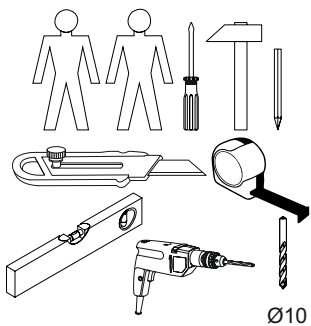
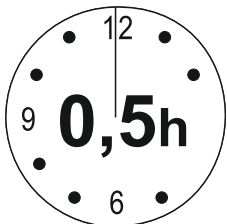










Installation manual

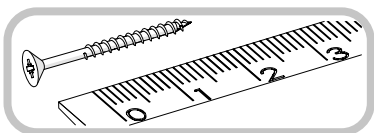
Palmor Shelf 150



Code	Dimensions				Package
001	1496	220	16	1	1/1
002	1498	245	16/32	1	1/1
accessories				1	1/1

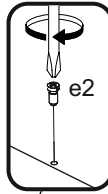
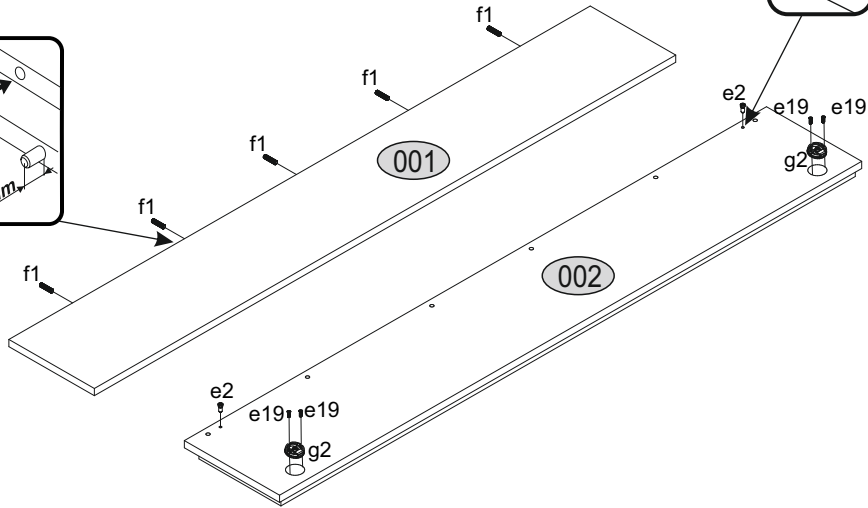
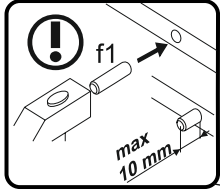
Accessories:

<p>2x g2</p> 	<p>2x f3</p> <p>Ø10x50</p> 	<p>2x p17</p> <p>Ø6x50</p> 	<p>6x e1</p> <p>Ø7x50</p> 
<p>5x f1</p> <p>Ø8x30</p> 	<p>2x e2</p> <p>Ø6.3x13</p> 	<p>4x e19</p> <p>Ø5x9</p> 	<p>1x z1</p> 



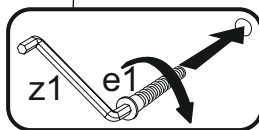
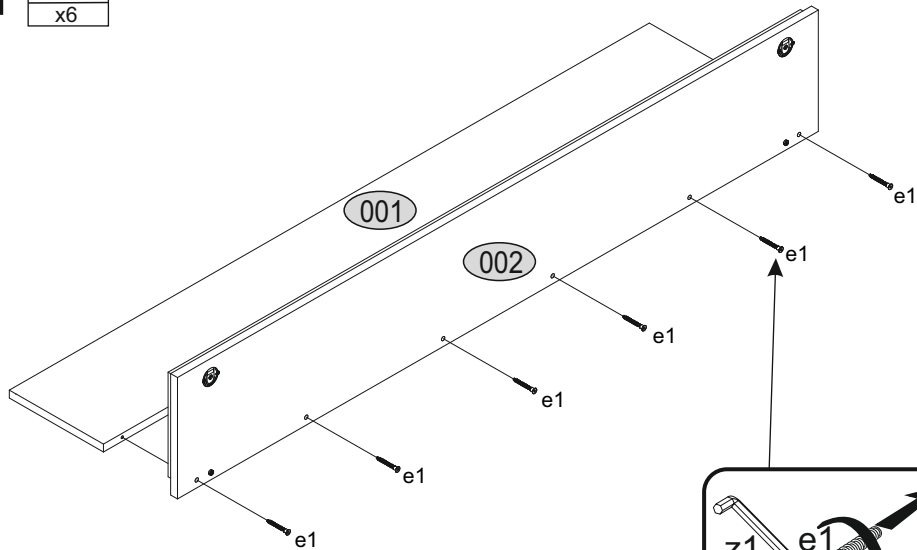
1

f1 	e2 	e19 	g2
x5	x2	x4	x2



2

e1
x6



3

f3 	p17
x2	x2

