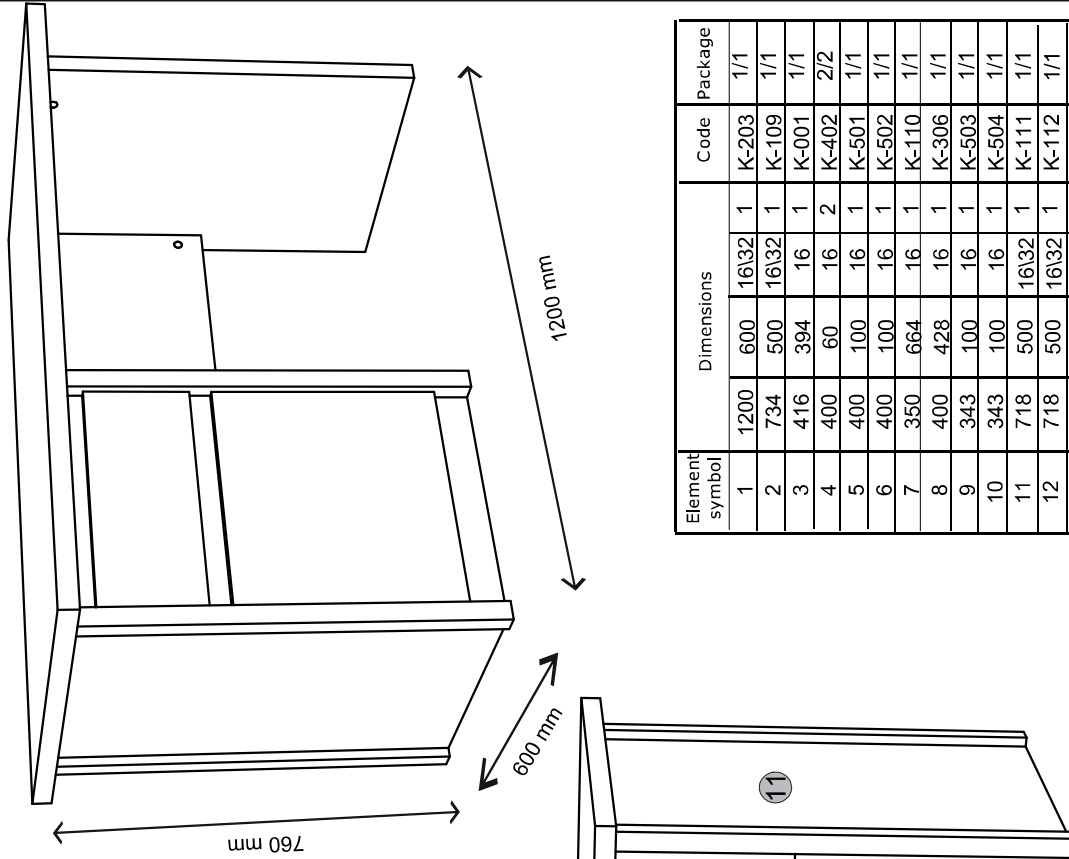
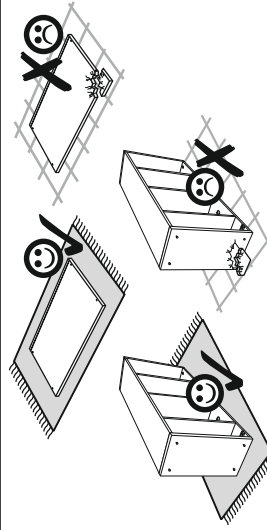
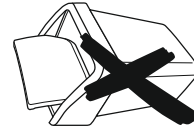
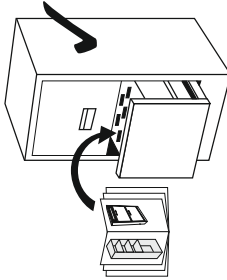
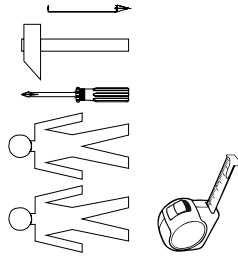
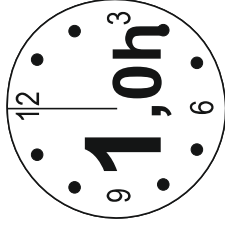
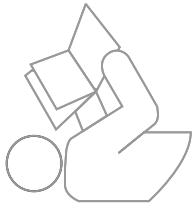


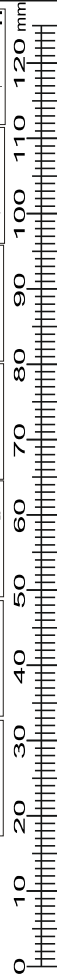
Installation manual

NORTON: BIU_1D1S_120

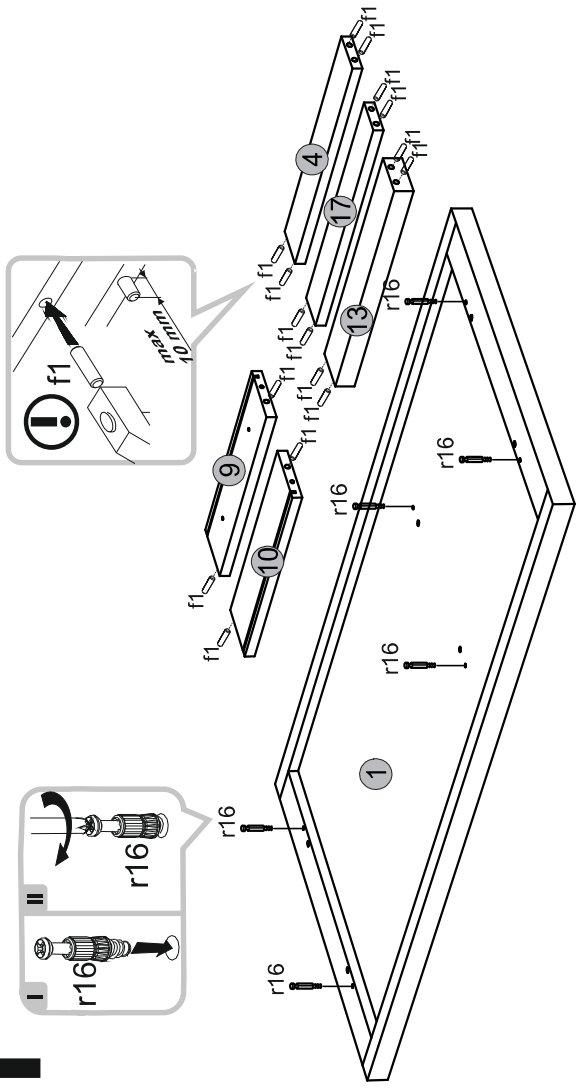


Element symbol	Dimensions	Code	Package
1	1200	K-203	1/1
2	600	K-109	1/1
3	1632	K-001	1/1
4	500	K-402	2/2
5	394	K-501	1/1
6	60	K-502	1/1
7	400	K-110	1/1
8	100	K-306	1/1
9	400	K-503	1/1
10	343	K-504	1/1
11	718	K-111	1/1
12	500	K-112	1/1
13	70	K-403	1/1
14	400	K-002	2/2
15	170	K-128	1/1
16	674	K-604	1/1
17	367	K-440	1/1

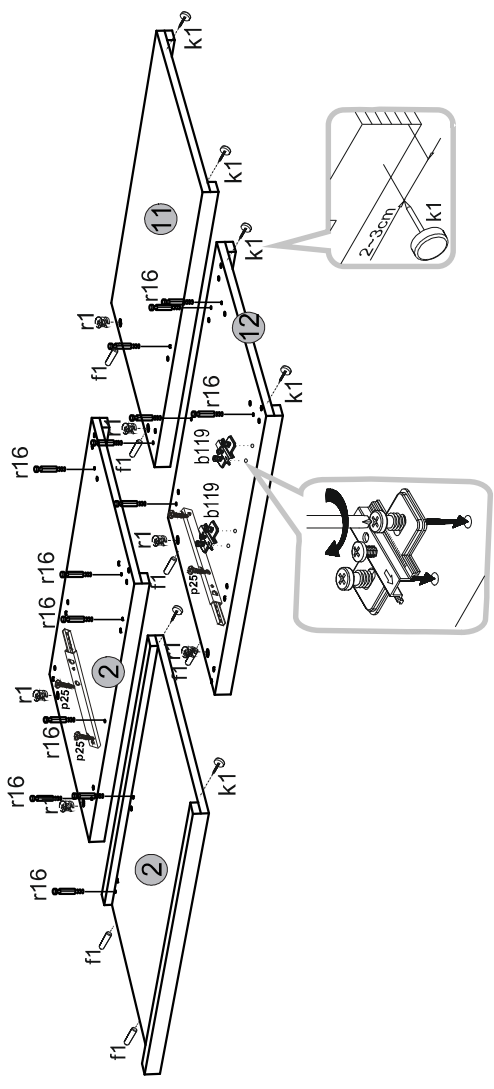
6x	k1	20x	20x	20x	1x	18x	1x	z1
20x	ø15x2mm 1/16	r1	ø15x16mm 1/16	r16	L-ø9mm	ø4.5x16mm	p25	ø4.5x20mm
4x	s1	20x	ø16	2x	2x	4x	e1	f1
							ø4x30mm	ø4.5x20mm
							p21	e1
							b119	



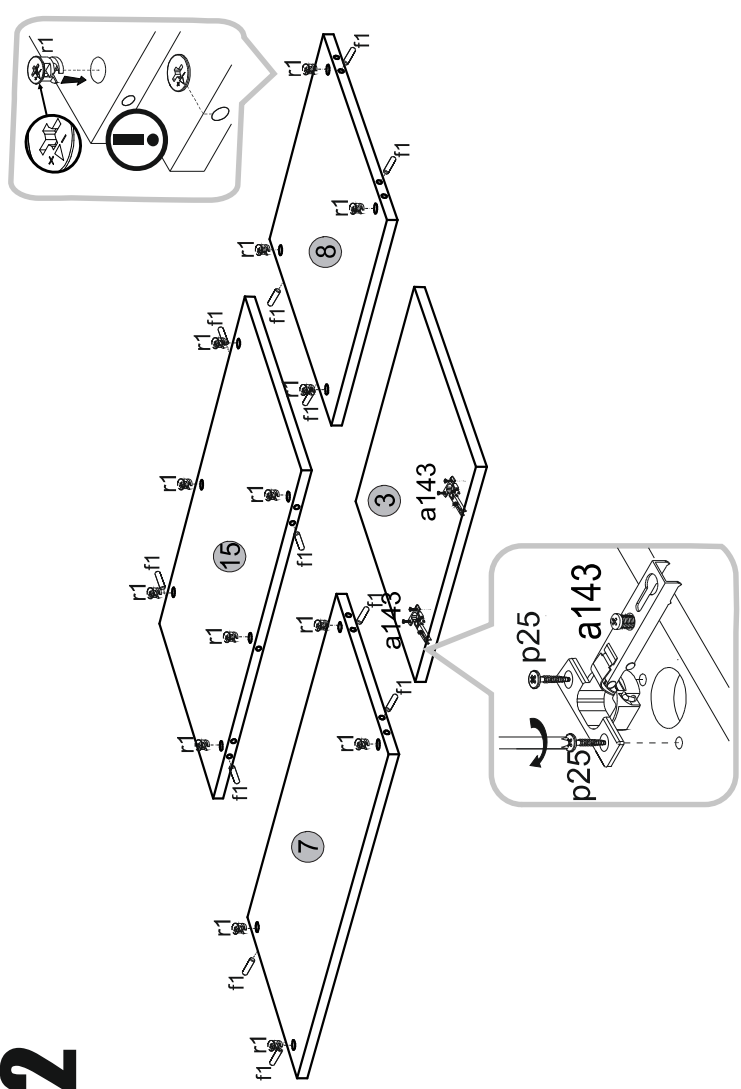
1



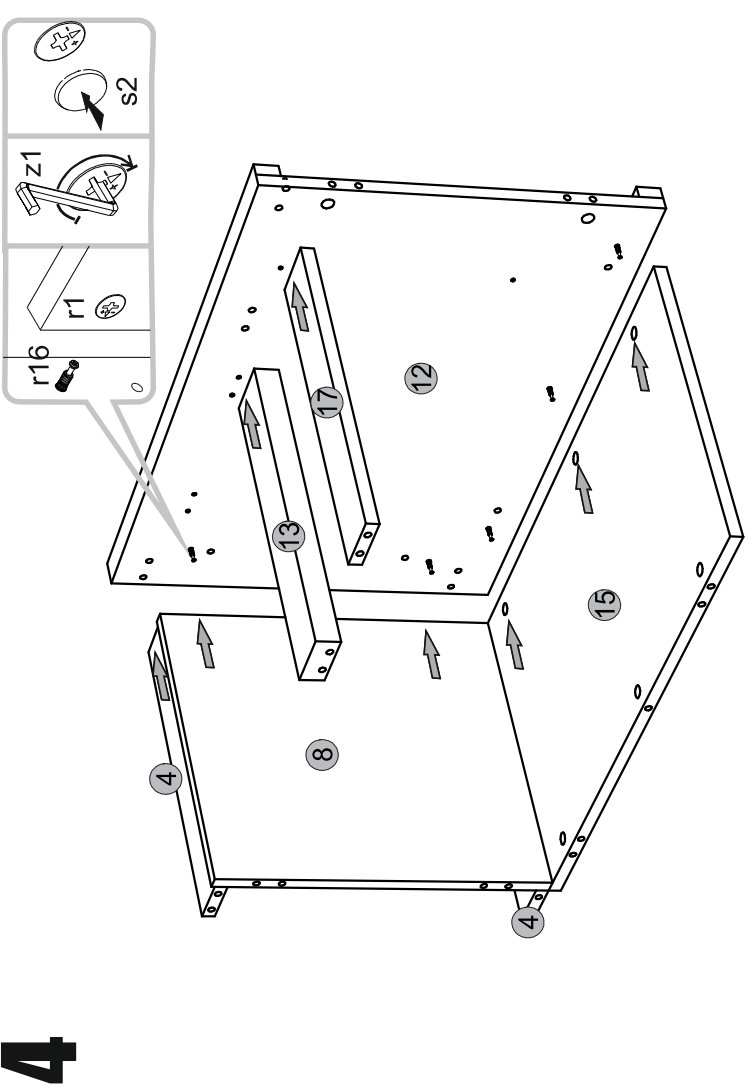
3



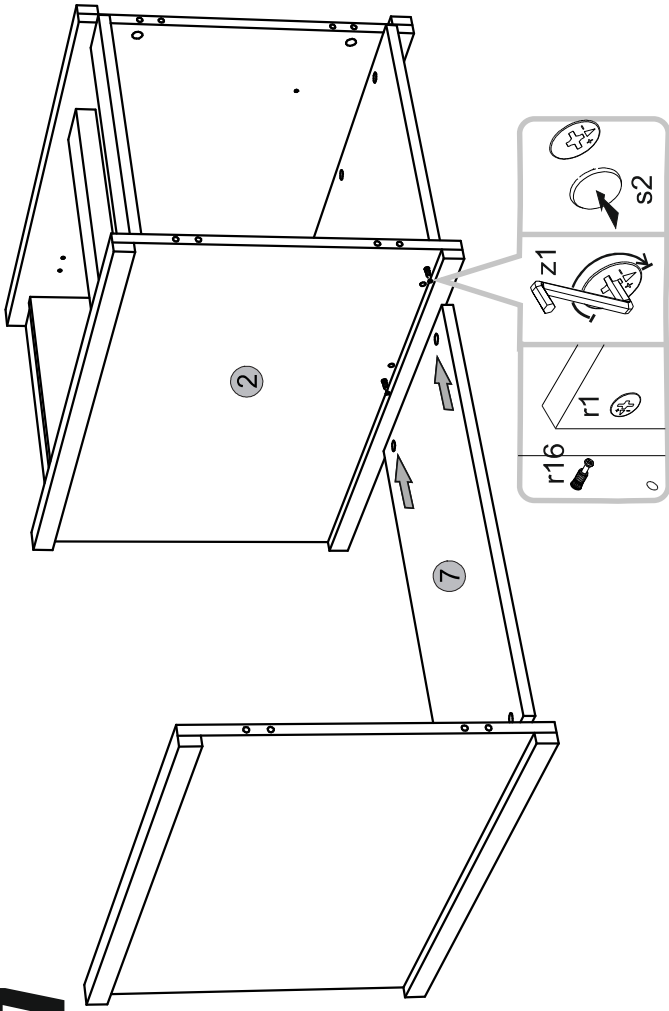
2



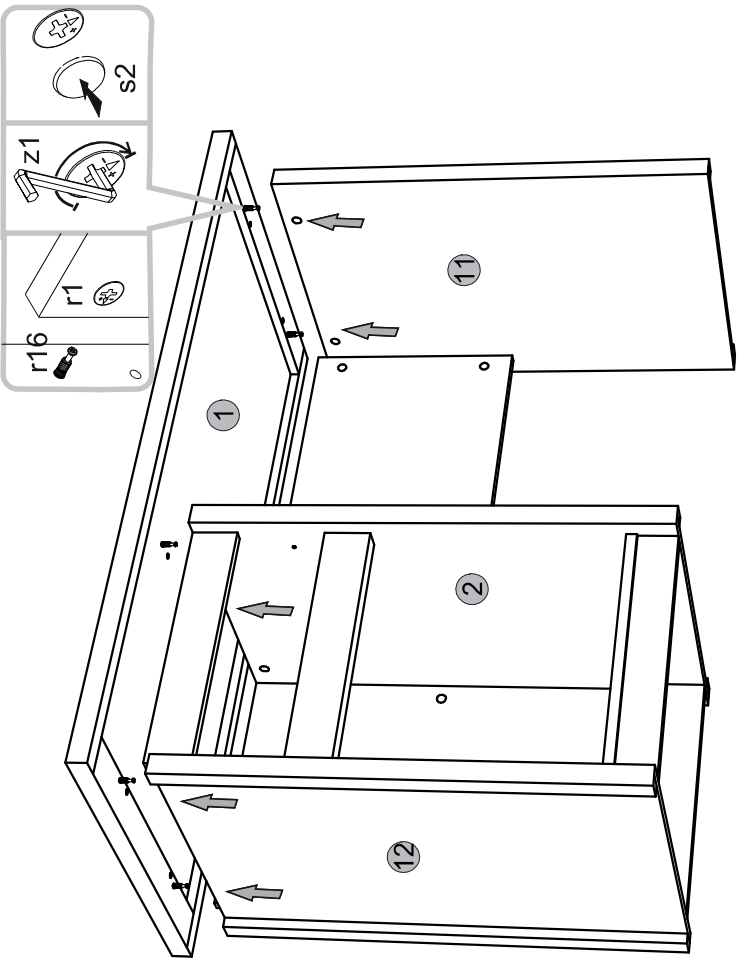
4



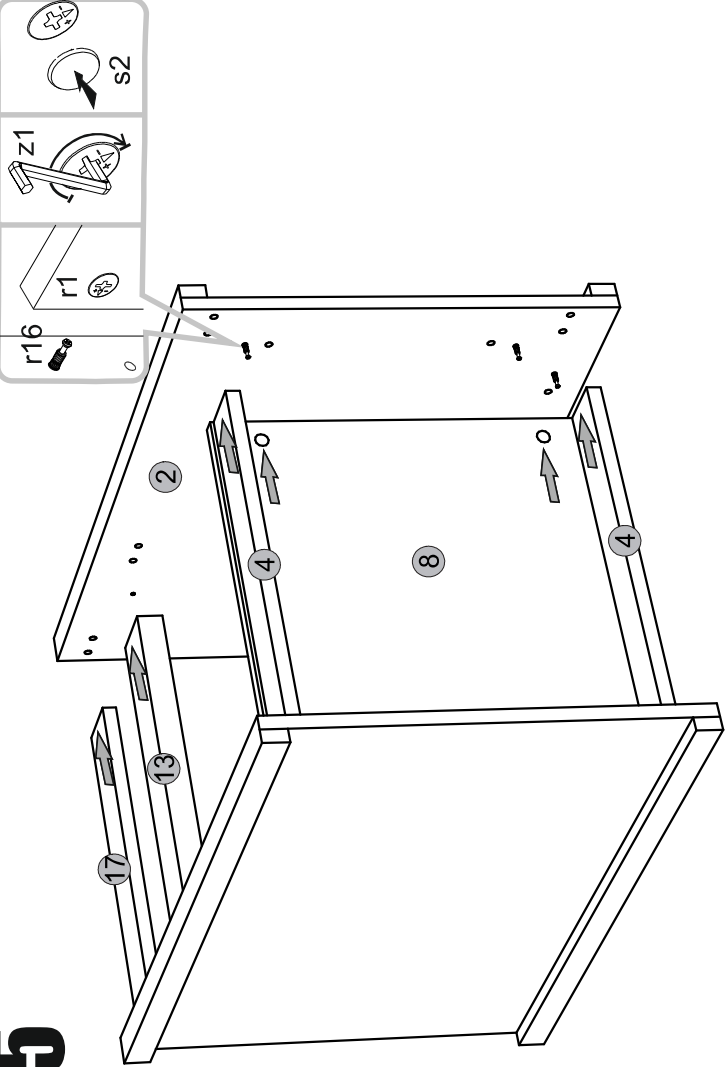
7



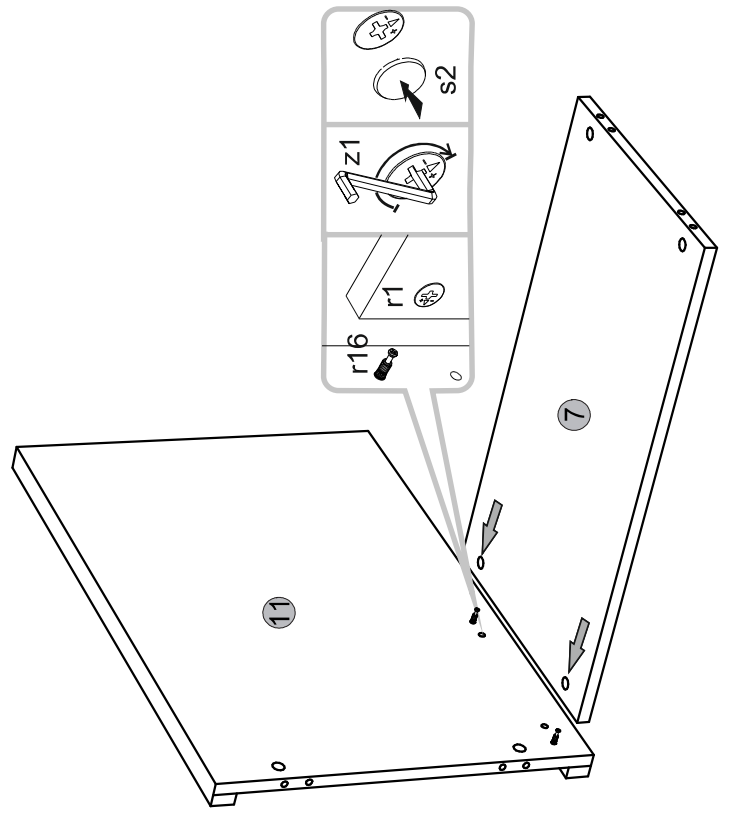
8



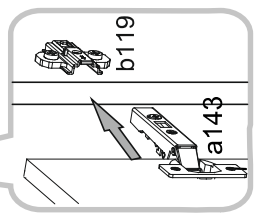
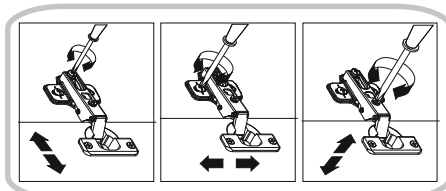
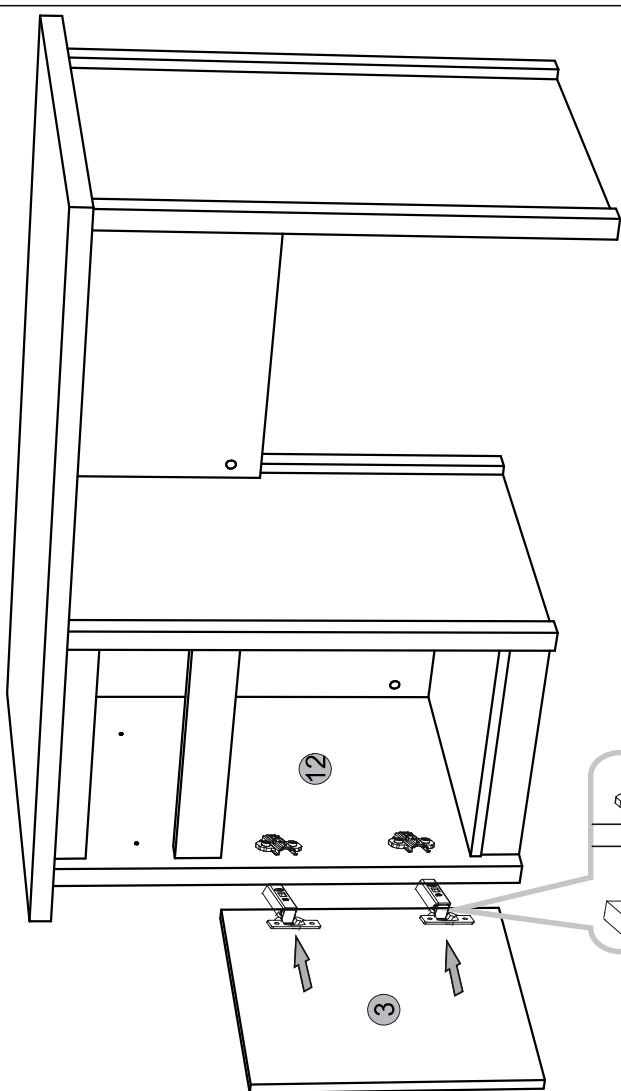
5



6



9



10

