

Instalation manual

NORTON: LOZ_160_140_120

LOZ_160

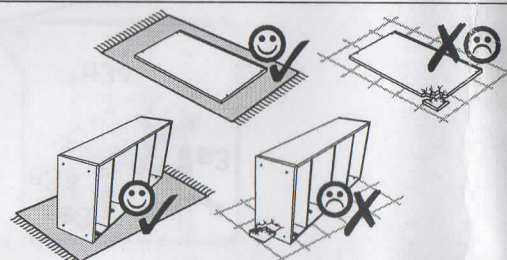
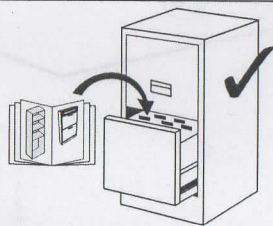
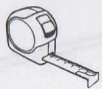
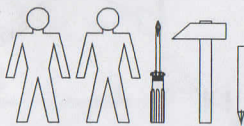
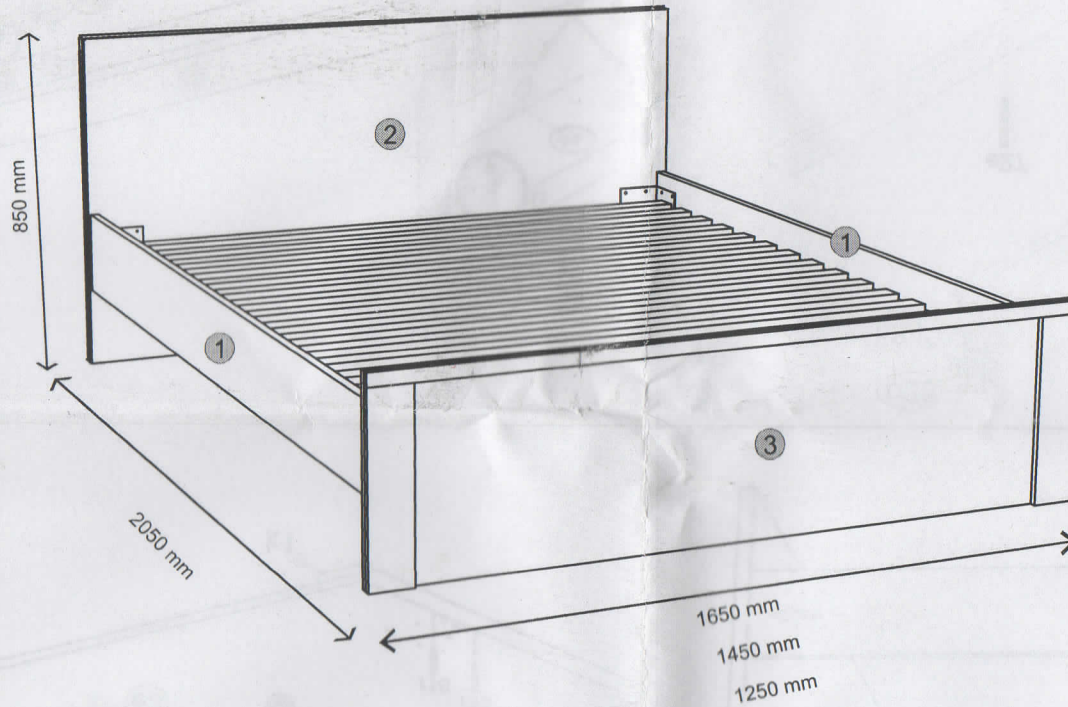
Element symbol	Dimensions				Code	Package
1	200	2000	22	2	NS-101A	2/2
2	850	1654	16/32	1	NS-103A	1/1
3	455	1654	16/32	1	NS-104A	1/1
4	1880	30	25	2		2/2
5	1980	70	27	1		2/2
6	285	70	27	1		2/2
7	786	2000	20	2		

LOZ_140

Element symbol	Dimensions				Code	Package
1	200	2000	22	2	NS-101A	2/2
2	850	1454	16/32	1	NS-130A	1/1
3	455	1454	16/32	1	NS-131A	1/1
4	1880	30	25	2		2/2
5	1980	70	27	1		2/2
6	285	70	27	1		2/2
7	686	2000	20	2		

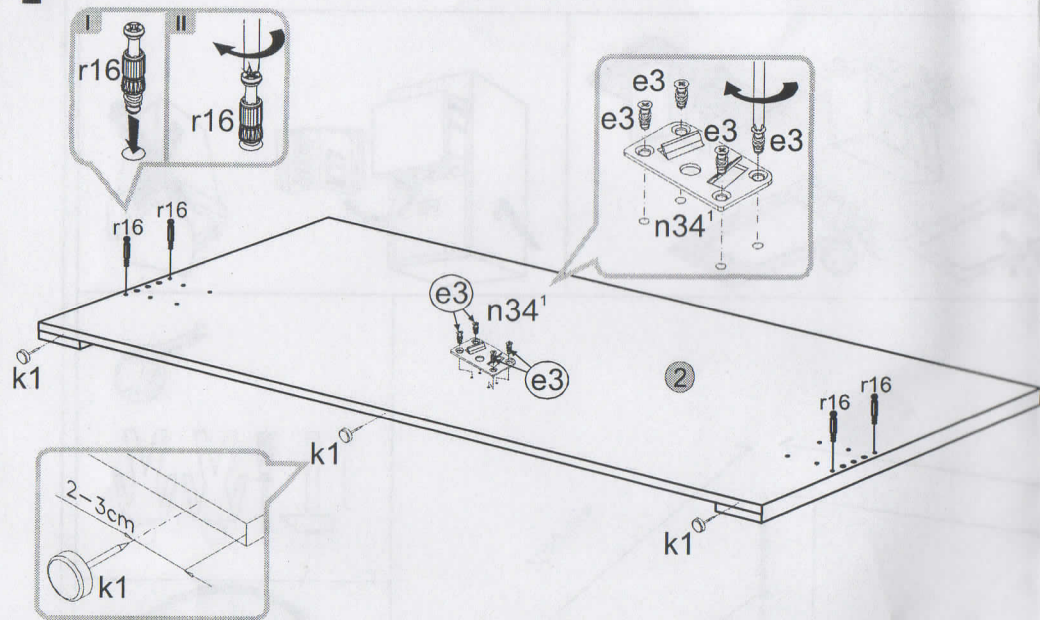
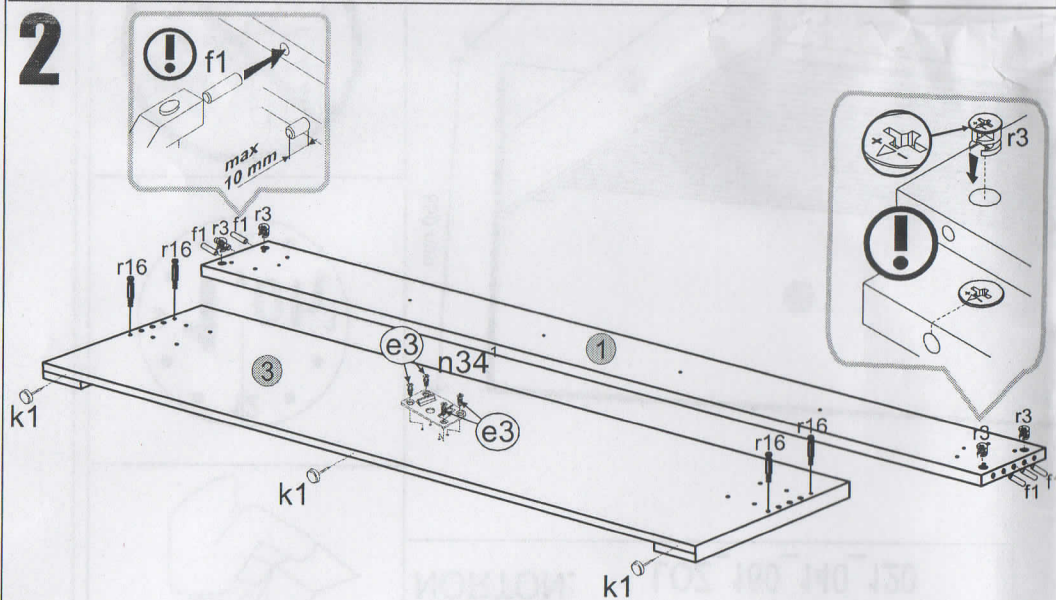
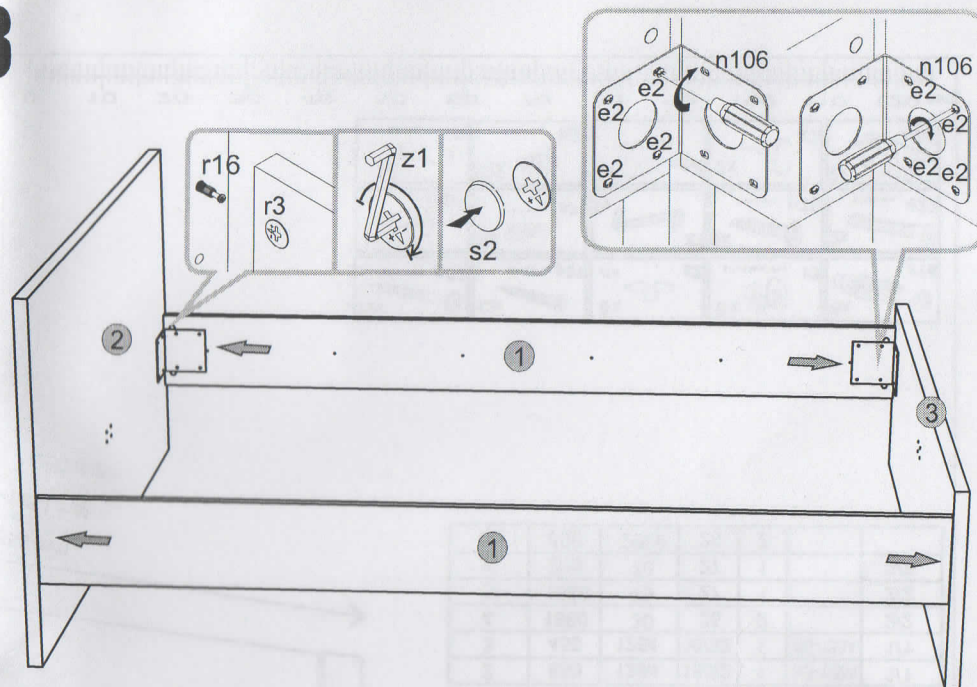
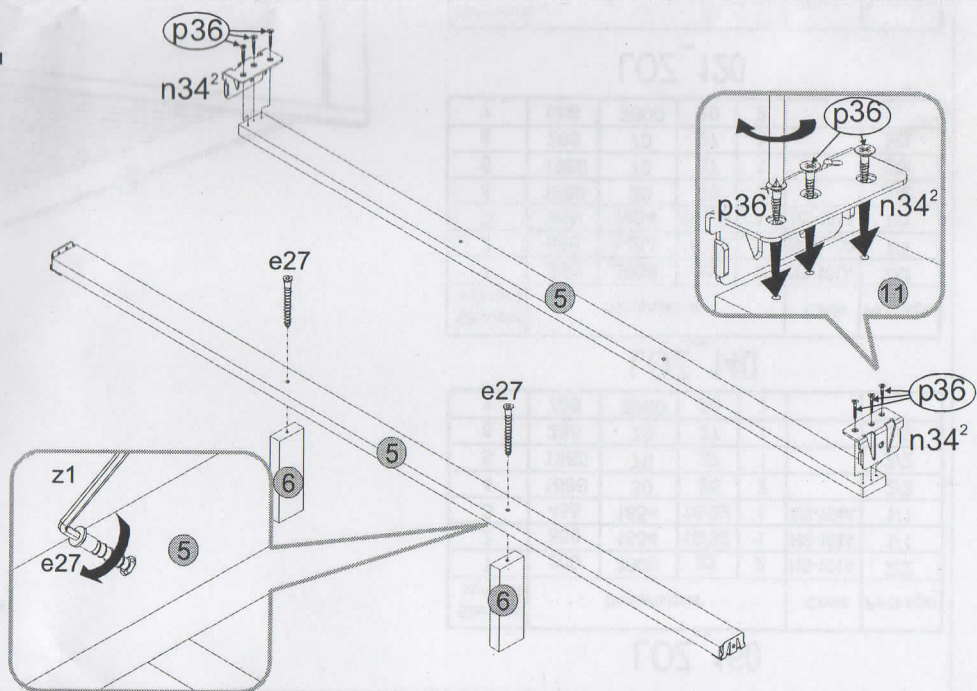
LOZ_120

Element symbol	Dimensions				Code	Package
1	200	2000	22	2	NS-101A	2/2
2	850	1254	16/32	1	NS-132A	1/1
3	455	1254	16/32	1	NS-133A	1/1
4	1880	30	25	2		2/2
5	1980	70	27	1		2/2
6	285	70	27	1		2/2
7	686	2000	20	2		

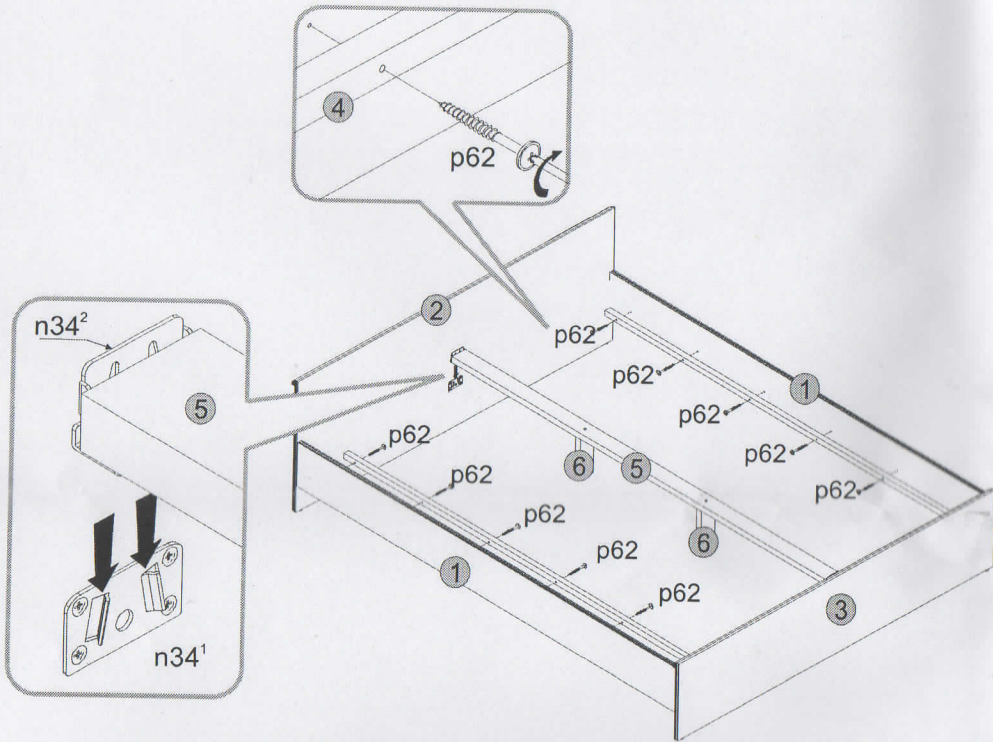


12x φ4x45 mm p62	12x φ4x10 mm p21	8x s2 φ16	8x φ15x15 mm r3	8x r16
4x n106	8x φ6x13 mm e3	1x z1 φ16	6x φ4x25 mm p36	2x φ7x50 mm e27
12x f8x30 mm f1	32x 6 x13 mm e2	2x n34	6x k1	2x n34



1**2****3****4**

5



6

