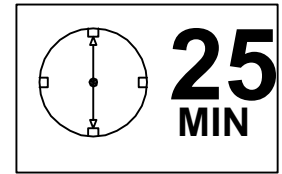
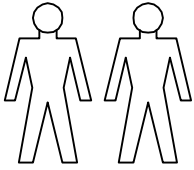
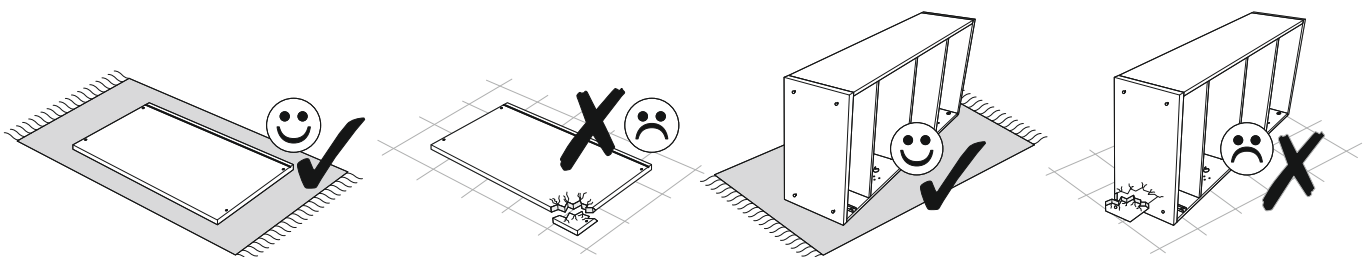
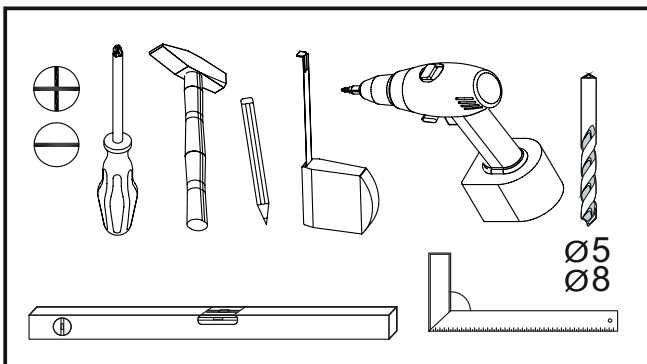
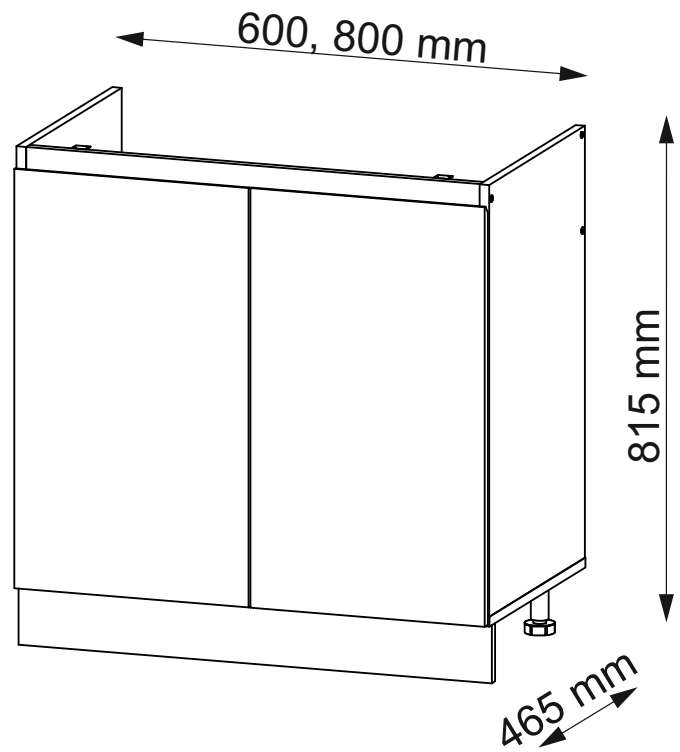
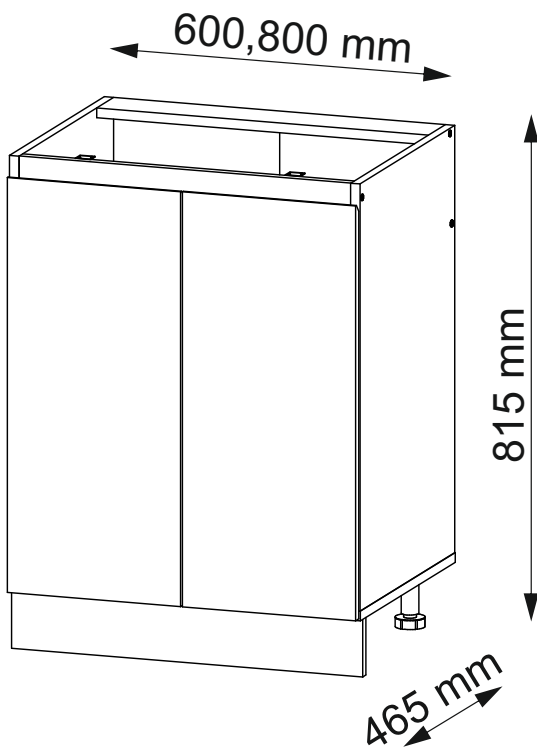


KITCHEN SOFT 60, 80 LC 60,80 LC for the kitchen sink





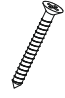




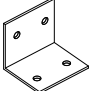
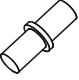






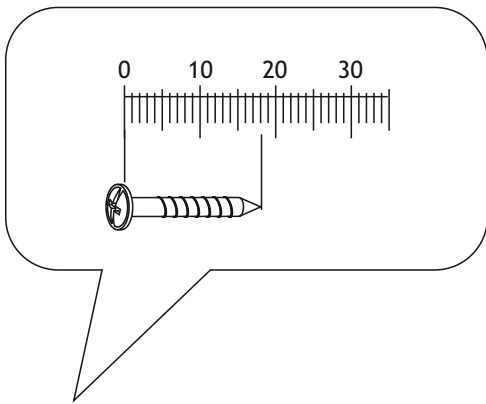
60, 80 LC

60,80 LC for the kitchen sink



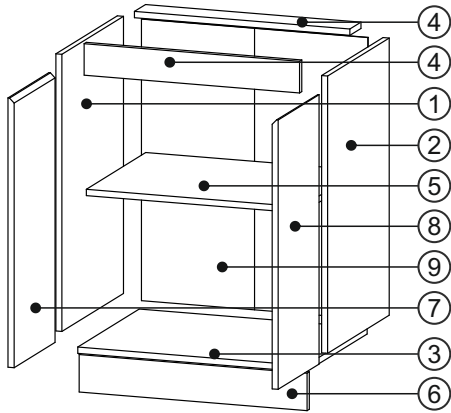
KITCHEN **SOFT** 60, 80 LC 60,80 LC for the kitchen sink

A0	B0	B1	D5	D13	H0	J6	J8	K	P19	Q0
										
ø8x30		ø7x50	3,5x16	4x30				4mm		
x4	x5	x10	x36	x2	x2	x4	x4	x1	x2	x4
T8	T14	T15	U0							
										
x40	x4	x2	x4							




KITCHEN SOFT 60, 80 LC 60,80 LC for the kitchen sink


A



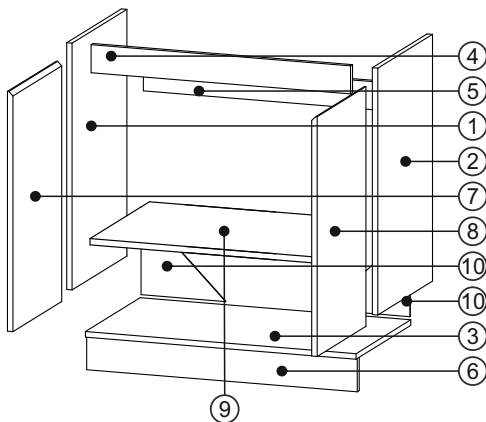
60 LC

①	704	445	16	x1	1/1
②	704	445	16	x1	1/1
③	600	445	16	x1	1/1
④	567	80	16	x2	1/1
⑤	566,5	430	16	x1	1/1
⑥	600	95	16	x1	1/1
⑦	684	296	16	x1	1/1
⑧	684	296	16	x1	1/1
⑨	715	596	3	x1	1/1
					1/1


80 LC

①	704	445	16	x1	1/1
②	704	445	16	x1	1/1
③	800	445	16	x1	1/1
④	767	80	16	x2	1/1
⑤	766,5	430	16	x1	1/1
⑥	800	95	16	x1	1/1
⑦	684	396	16	x1	1/1
⑧	684	396	16	x1	1/1
⑨	715	796	3	x1	1/1
					1/1


B



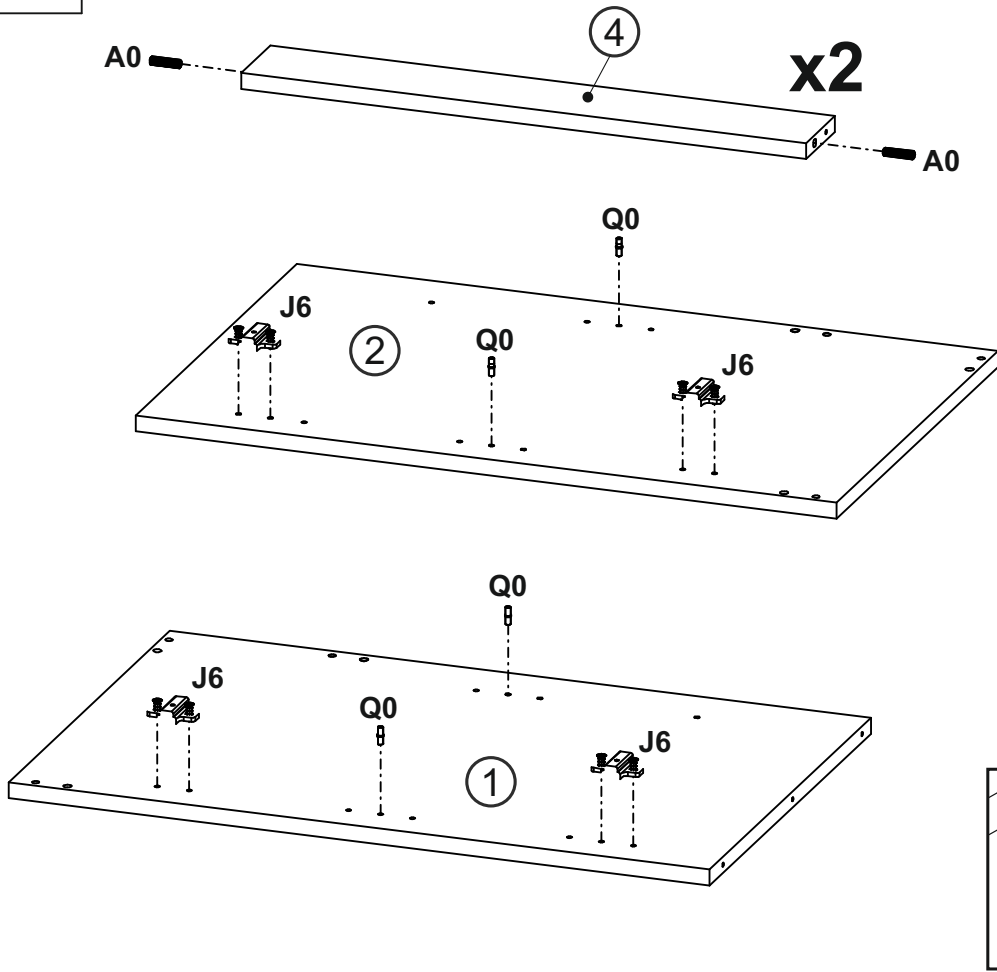
60 LC for the kitchen sink

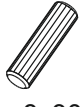

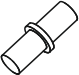
①	704	445	16	x1	1/1
②	704	445	16	x1	1/1
③	600	445	16	x1	1/1
④	567	80	16	x1	1/1
⑤	567	80	16	x1	1/1
⑥	600	95	16	x1	1/1
⑦	684	396	16	x1	1/1
⑧	684	396	16	x1	1/1
⑨	566,5	430	16	x1	1/1
⑩	250	250	3	x2	1/1
					1/1

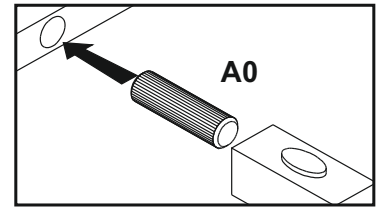
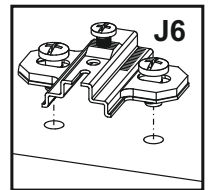
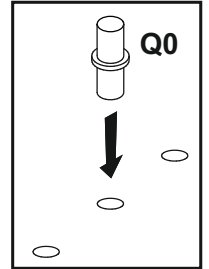
80 LC for the kitchen sink

①	704	445	16	x1	1/1
②	704	445	16	x1	1/1
③	800	445	16	x1	1/1
④	767	80	16	x1	1/1
⑤	767	80	16	x1	1/1
⑥	800	95	16	x1	1/1
⑦	684	396	16	x1	1/1
⑧	684	396	16	x1	1/1
⑨	766,5	430	16	x1	1/1
⑩	250	250	3	x2	1/1
					1/1

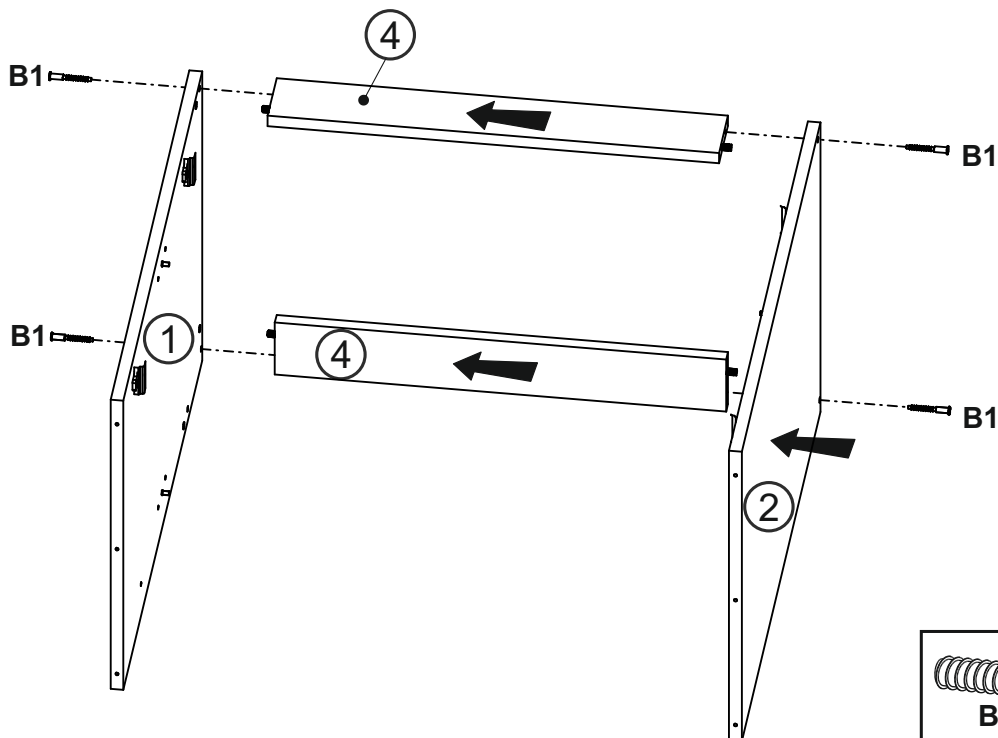
1A





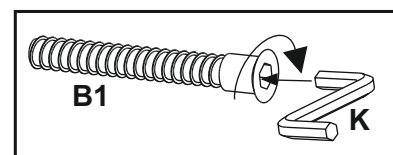
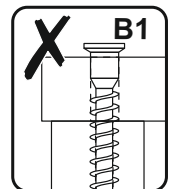
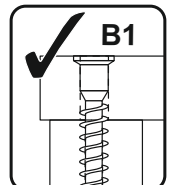
A0	J6	Q0
		
∅8x30		
x4	x4	x4



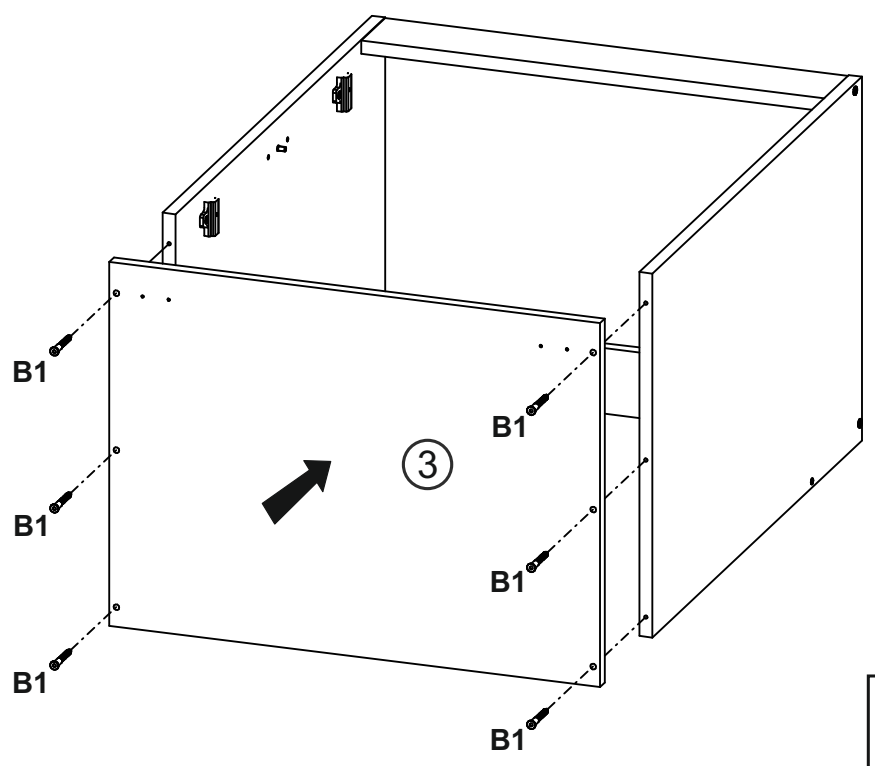
2A





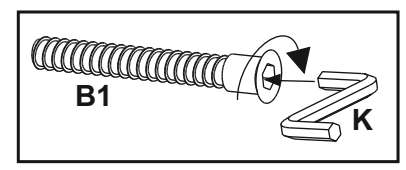
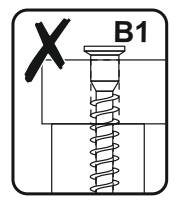
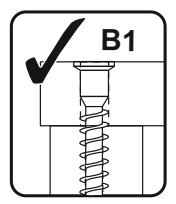
B1	K
	
∅7x50	4mm
x4	x1



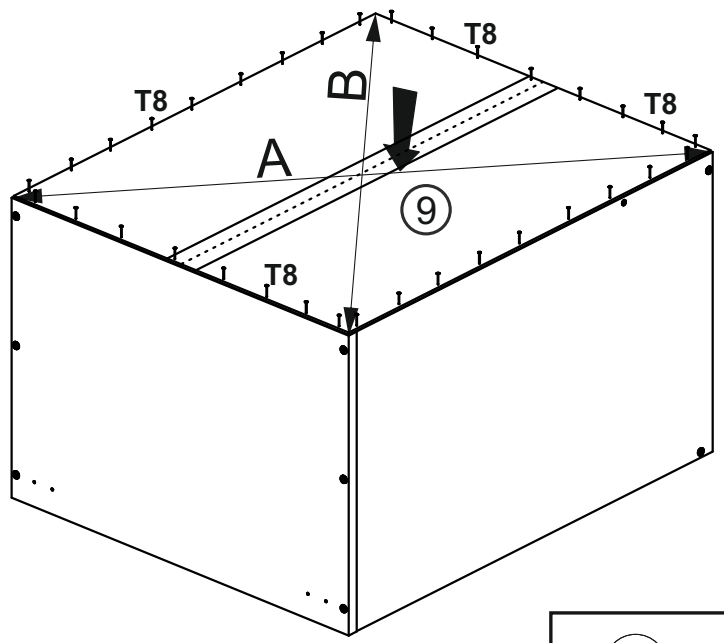
3A




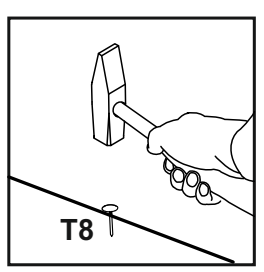
B1	K
	
ø7x50	4mm
x6	x1


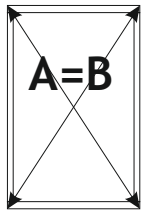

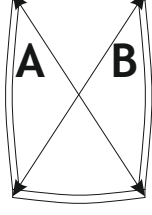

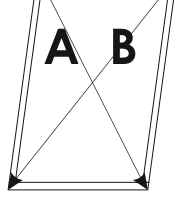


4A

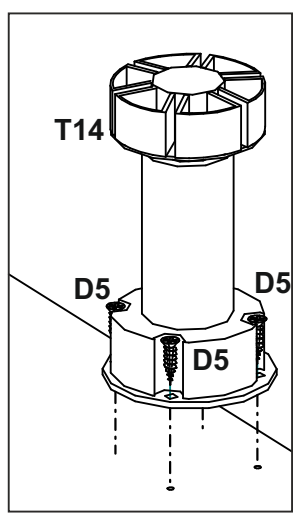
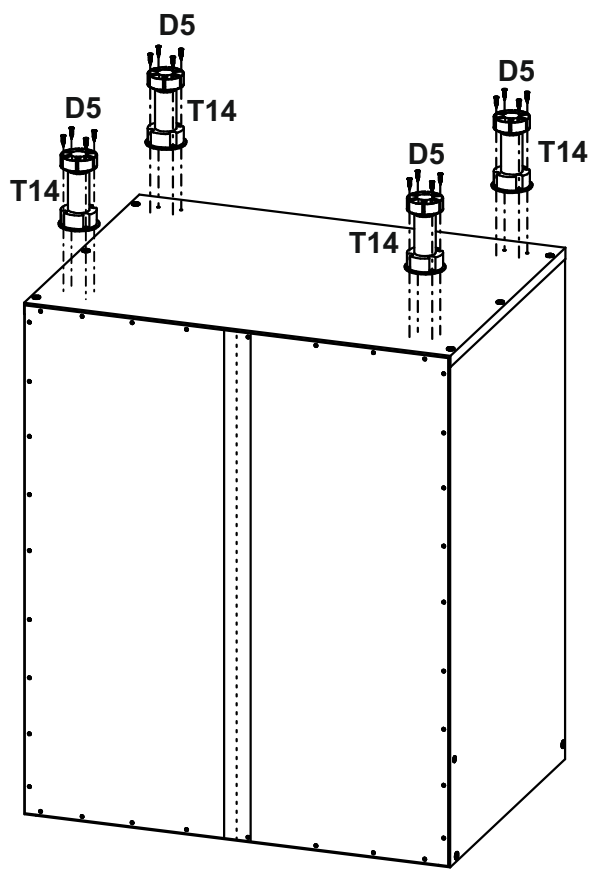



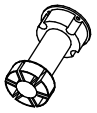
T8

x40

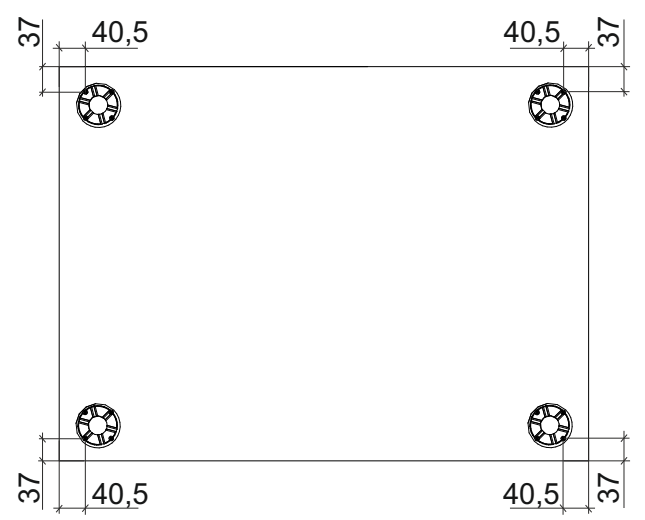


 	 	 
--	--	--

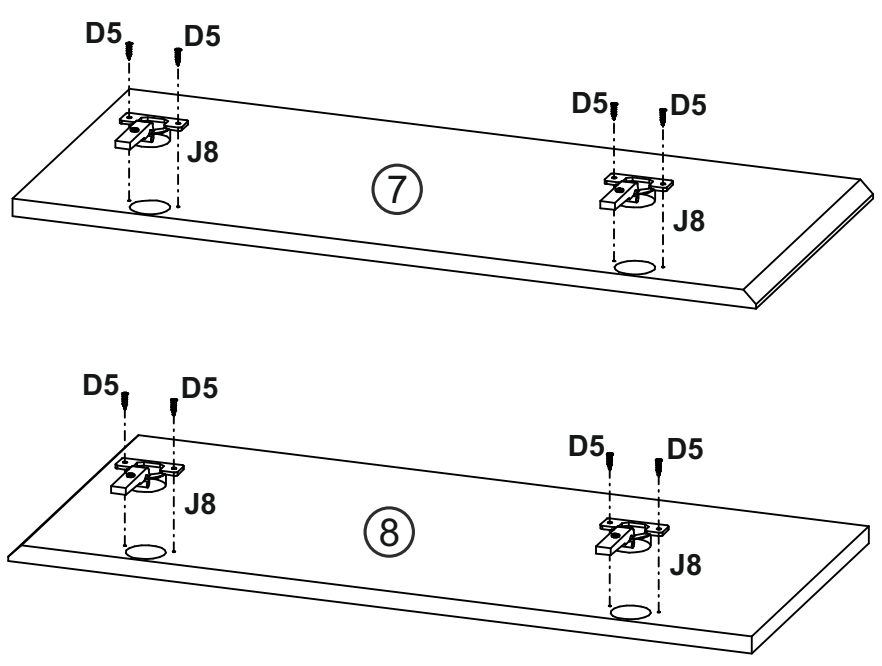
5A





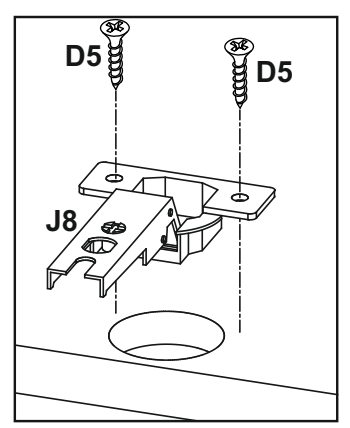
D5	T14
	
3,5x16	
x16	x4



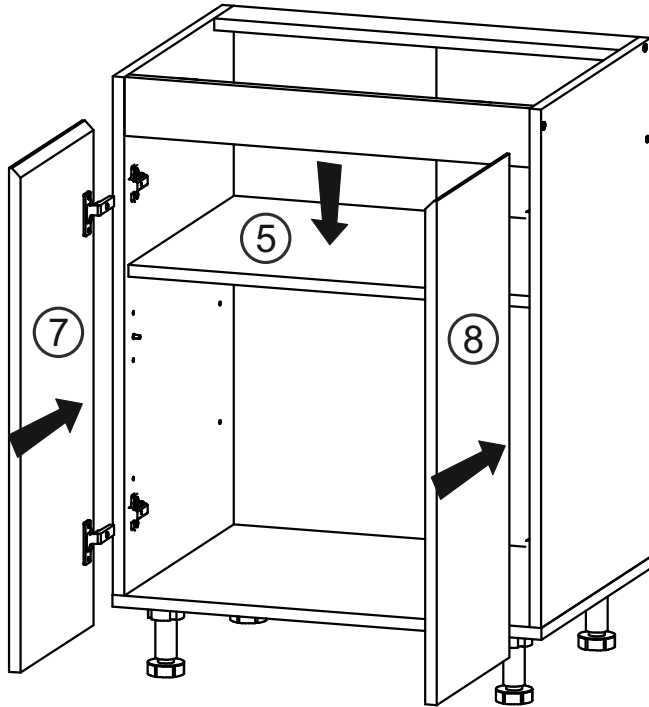
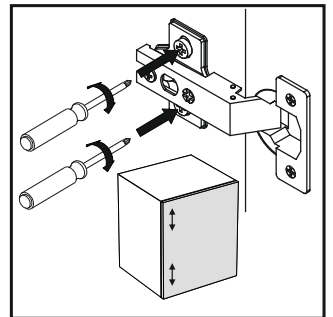
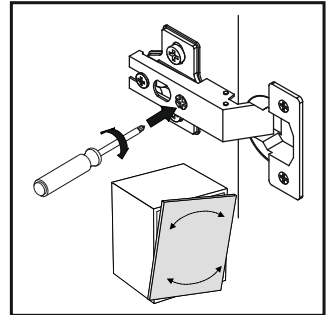
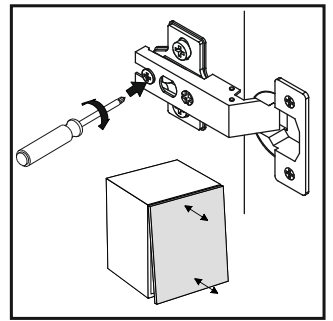
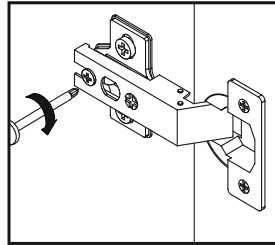
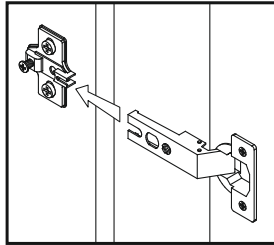
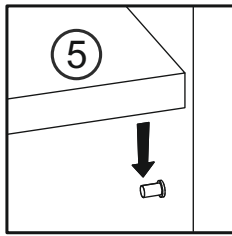
6A



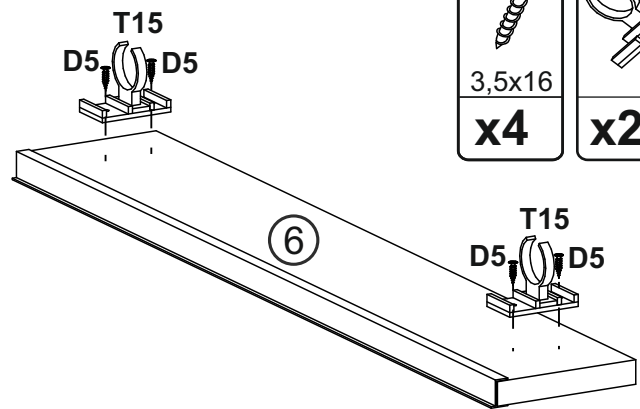
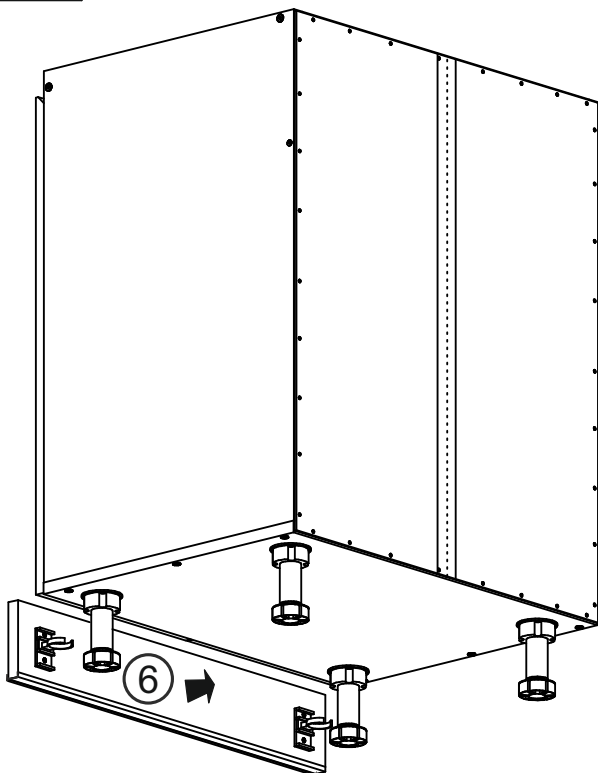
D5	J8
	
3,5x16	
x8	x4





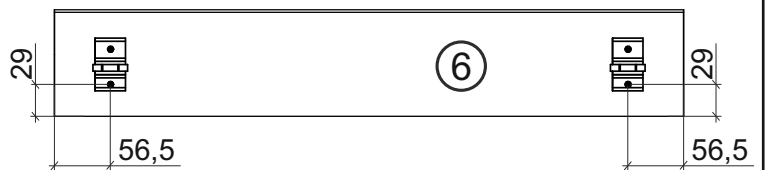
7A



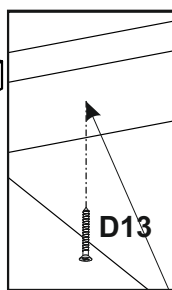
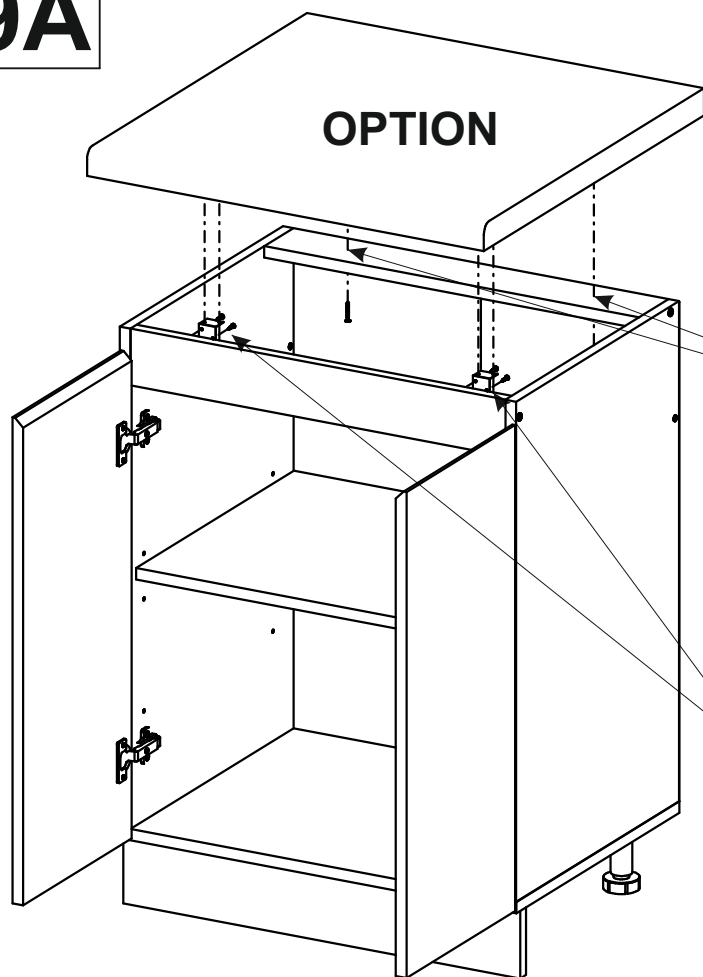
8A




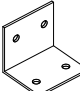


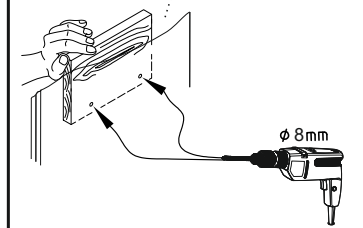
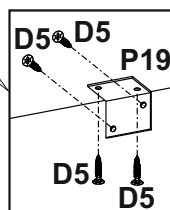
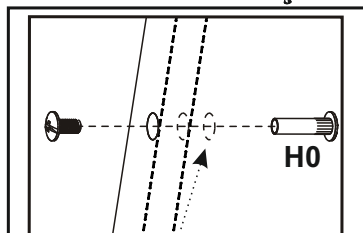
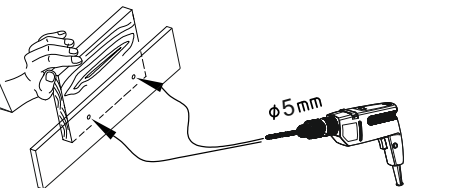
D5	T15
	
3,5x16	
x4	x2



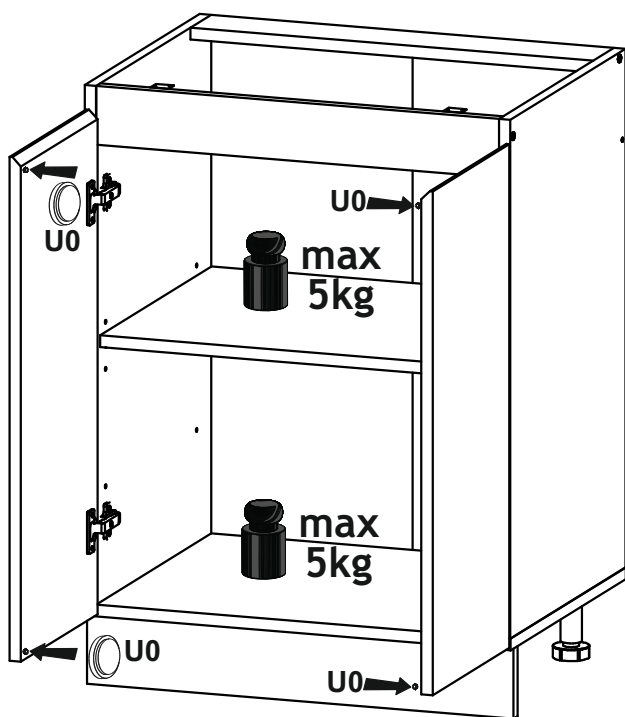
9A





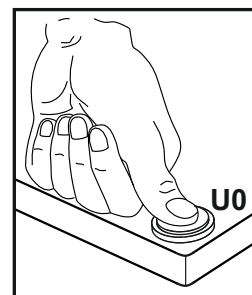
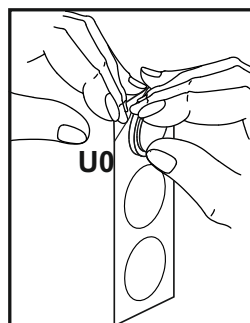
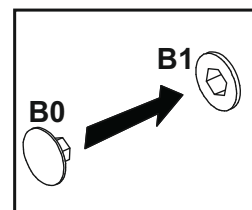
D5  3,5x16 x8	H0  x2	D13  4x30 x2	P19  x2
---	---	--	--



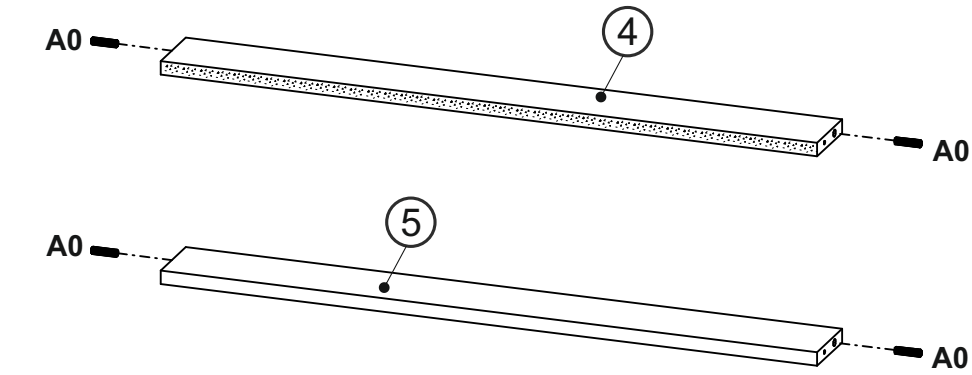
10A





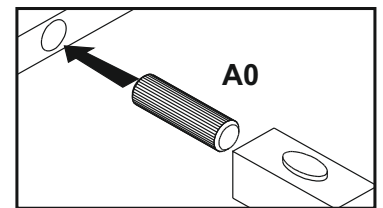
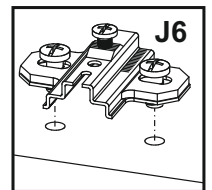
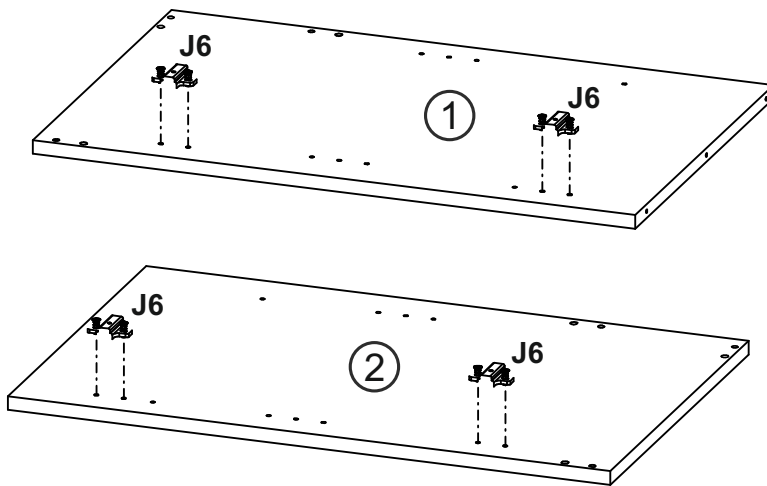
B0  x5	U0  x4
---	---



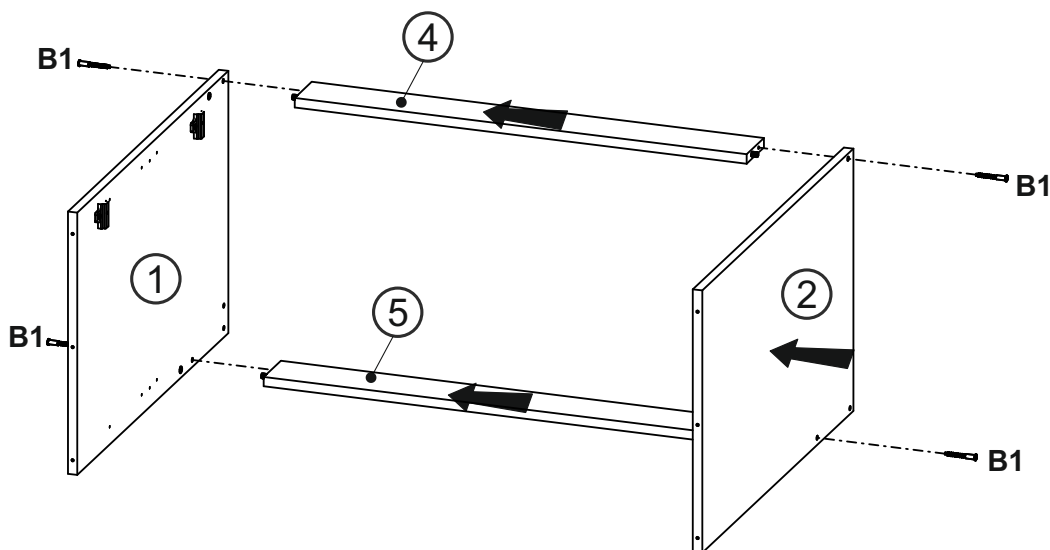
1B





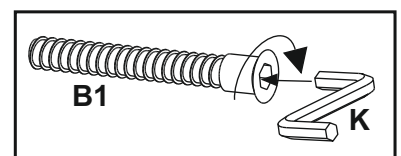
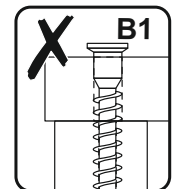
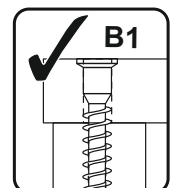
A0	J6
	
∅8x30	
x4	x4




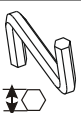
2B

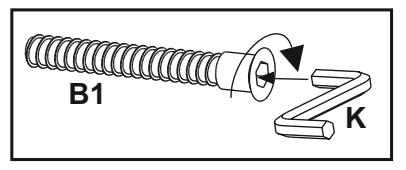
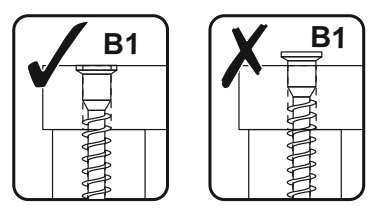
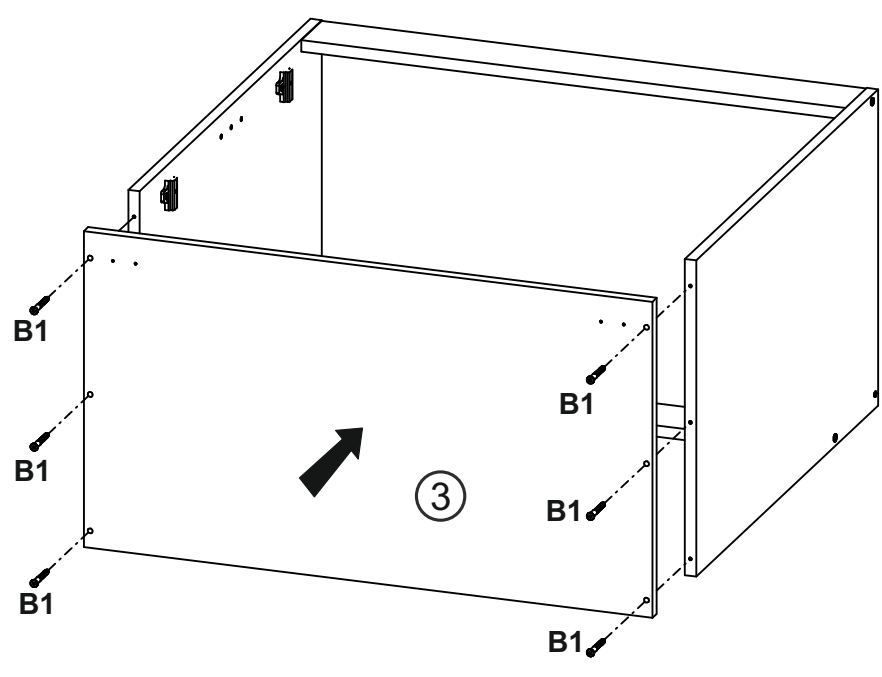


B1	K
	
∅7x50	4mm
x4	x1




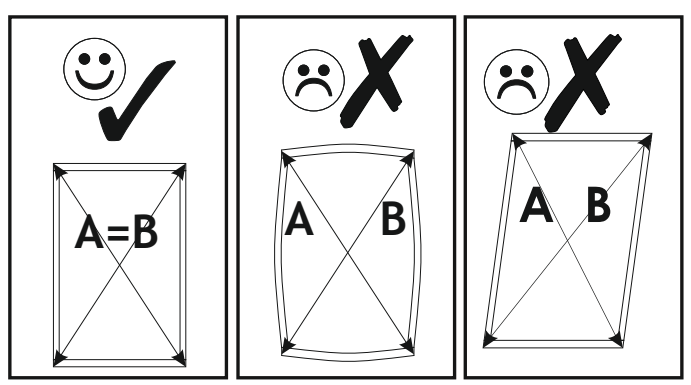
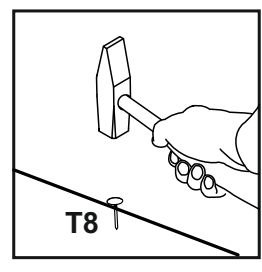
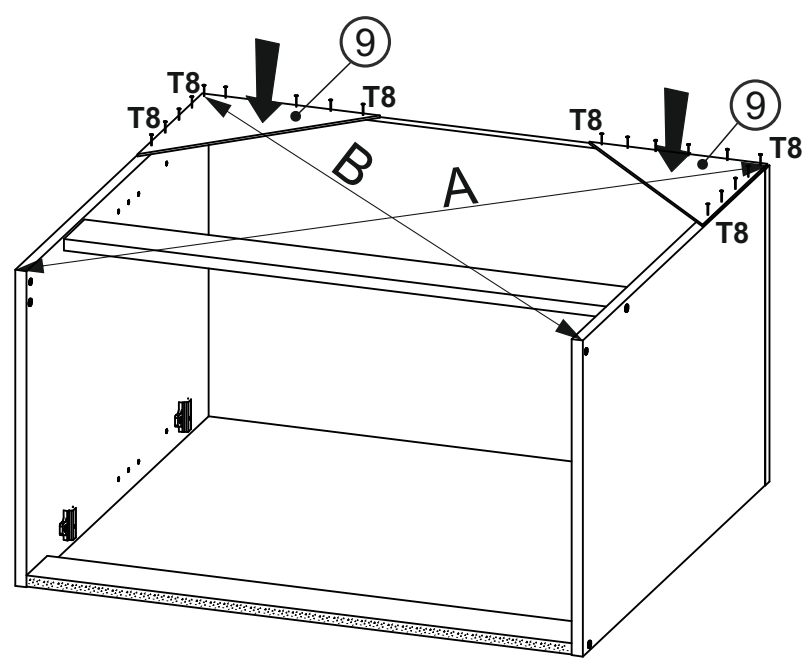
3B

B1	K
	
∅7x50	4mm
x6	x1

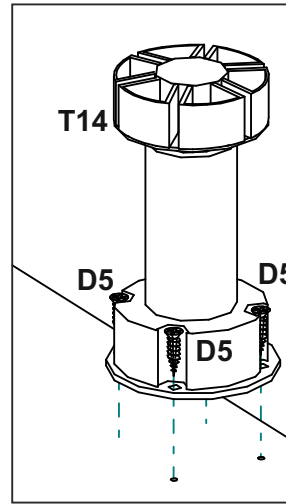
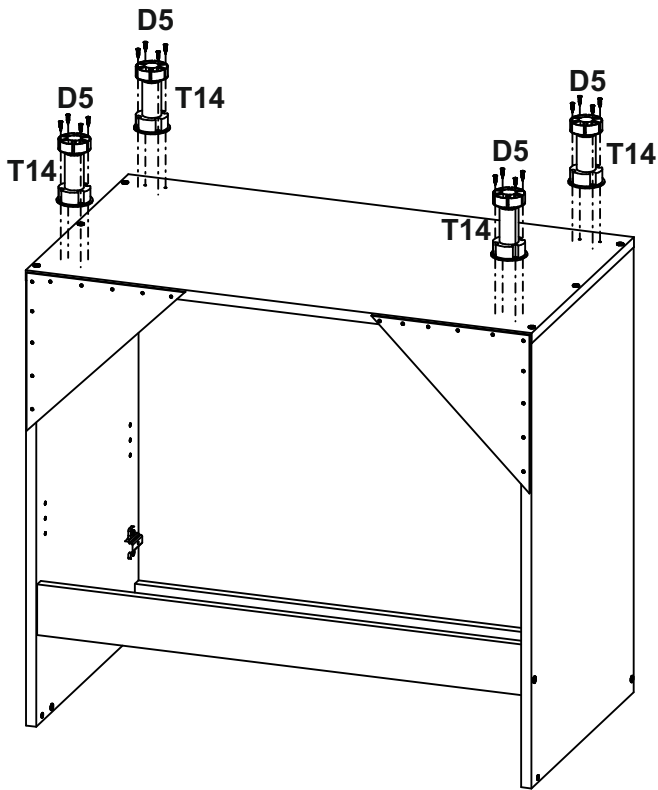



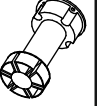
4B

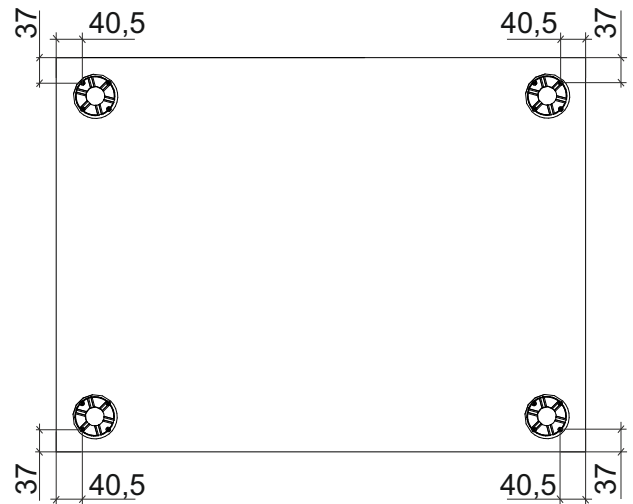
T8

x40



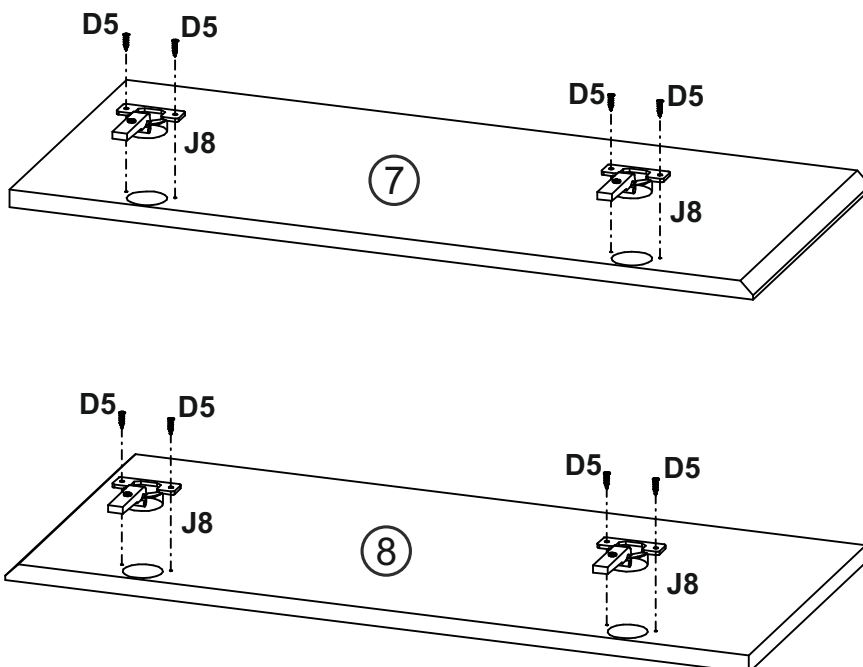
5B





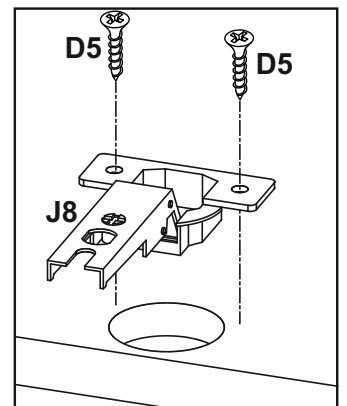
D5	T14
	
3,5x16	
x16	x4



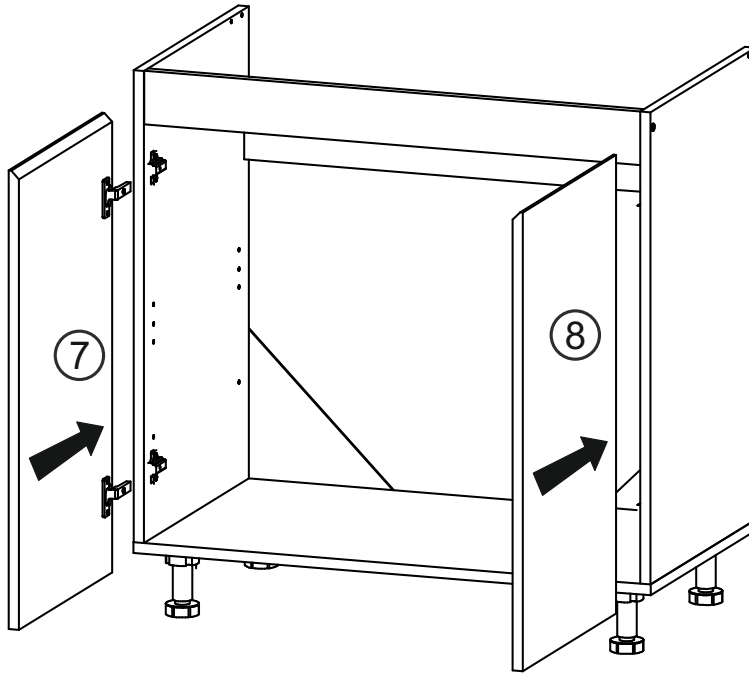
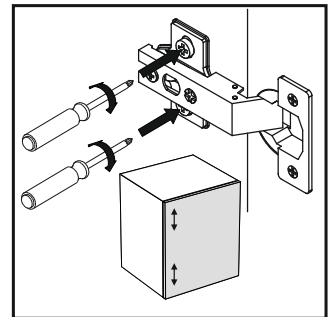
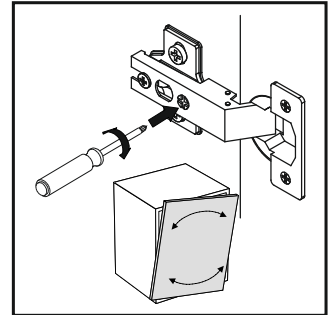
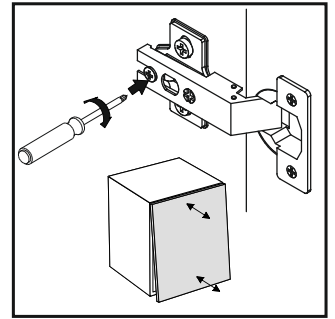
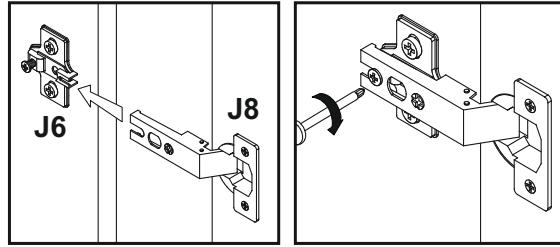
6B



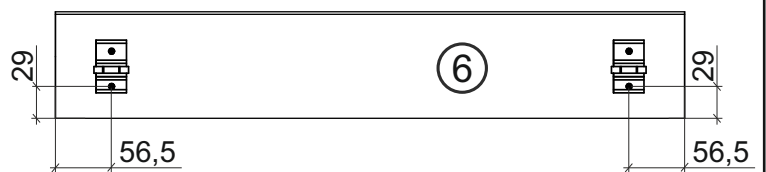
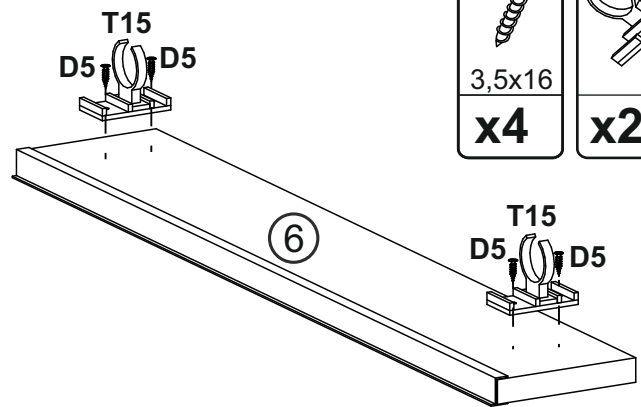
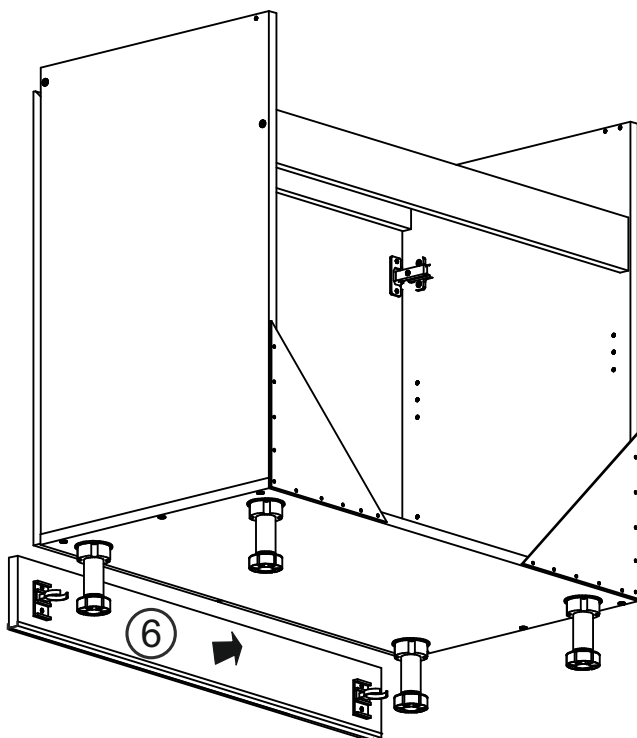
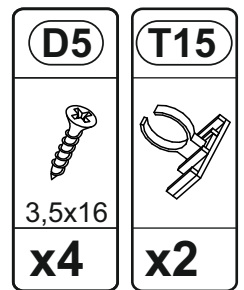
D5	J8
	
3,5x16	
x8	x4



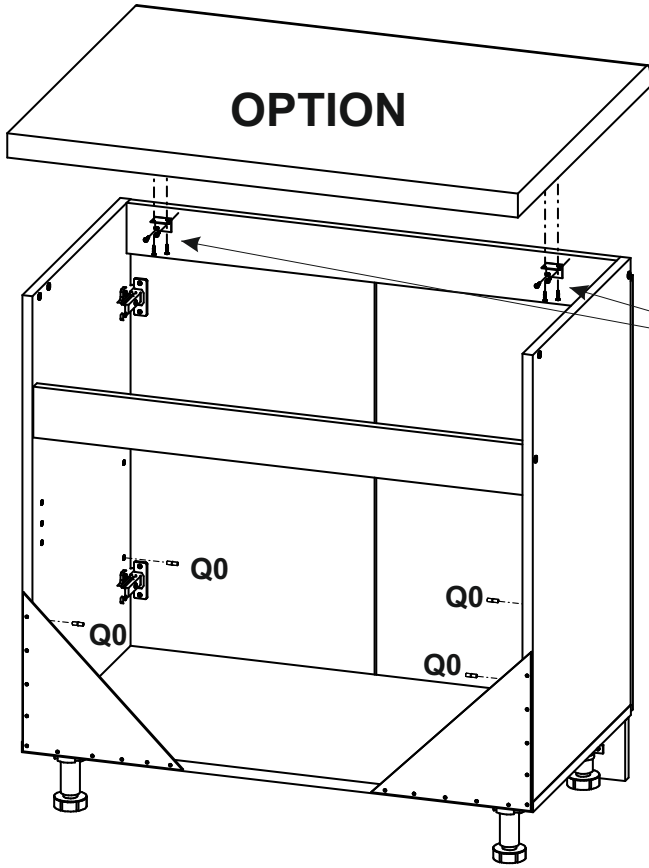
7B



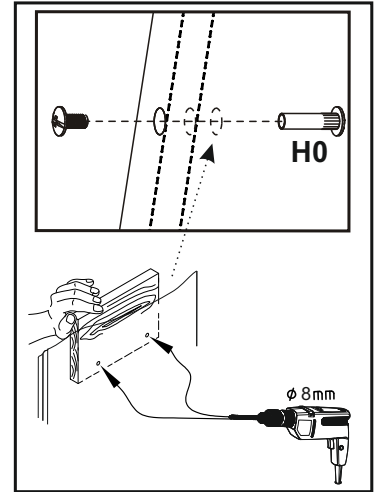
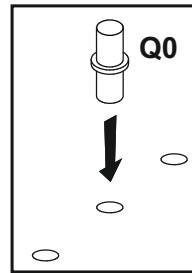
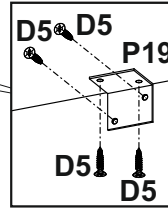
8B



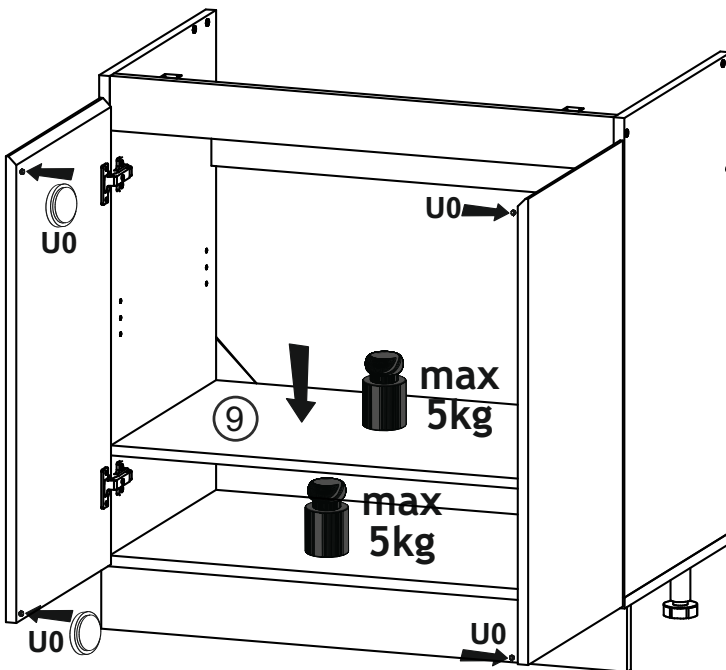
9B



D5	H0	P19	Q0
3,5x16			
x8	x2	x2	x4



10B



B0	U0
x5	x4

