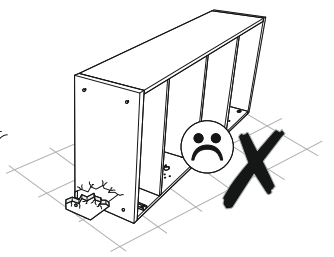
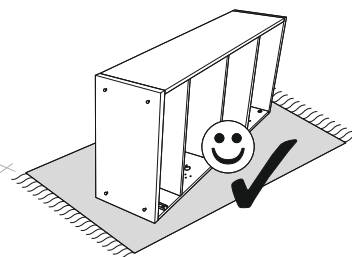
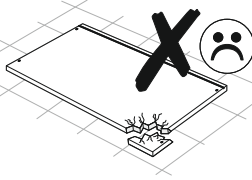
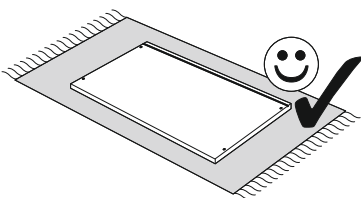
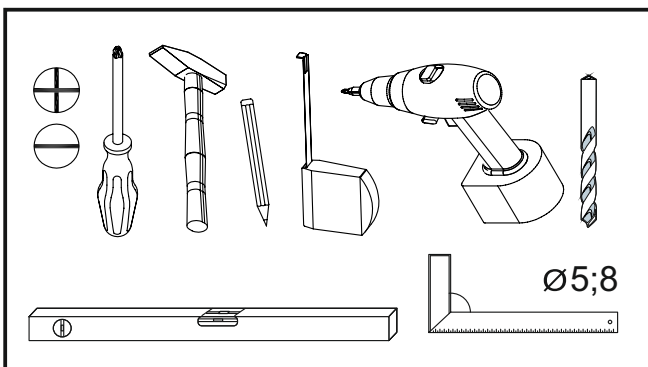
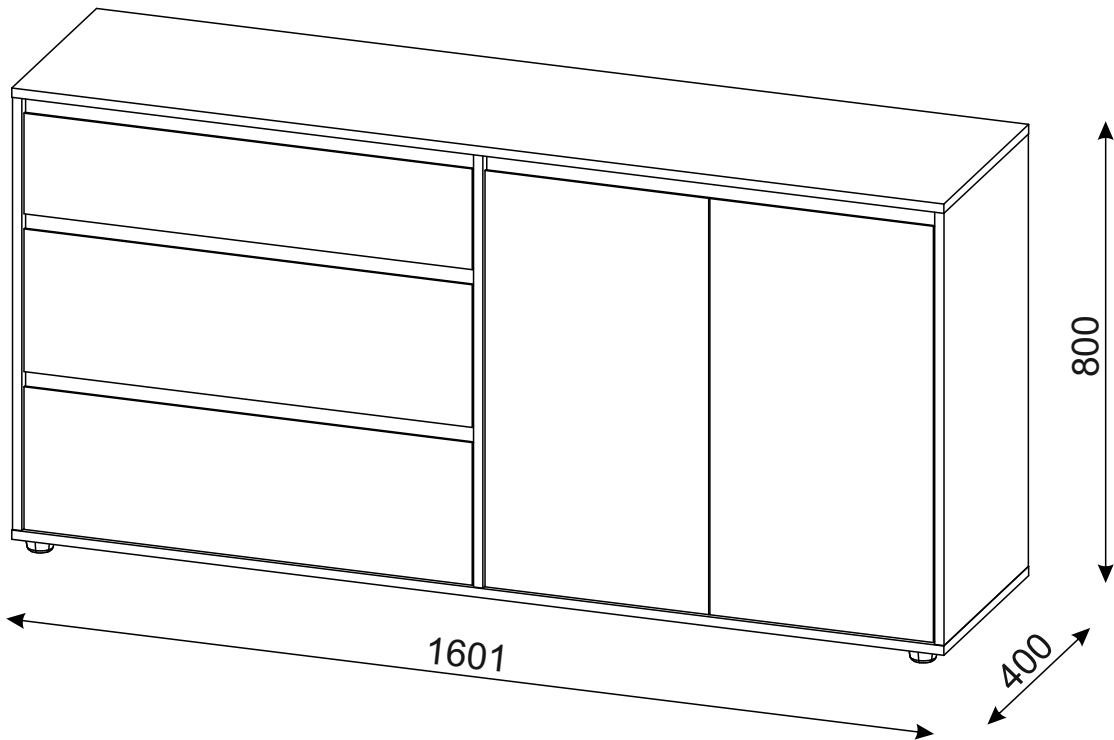
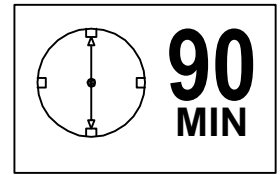
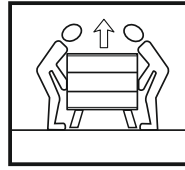
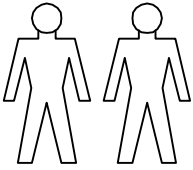
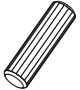










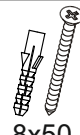






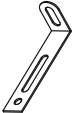
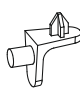



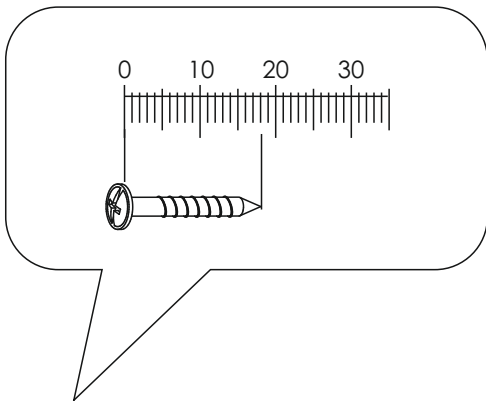


Kommode NITRO SOFT 1600/2D3Dr




Kommode NITRO SOFT 1600/2D3Dr

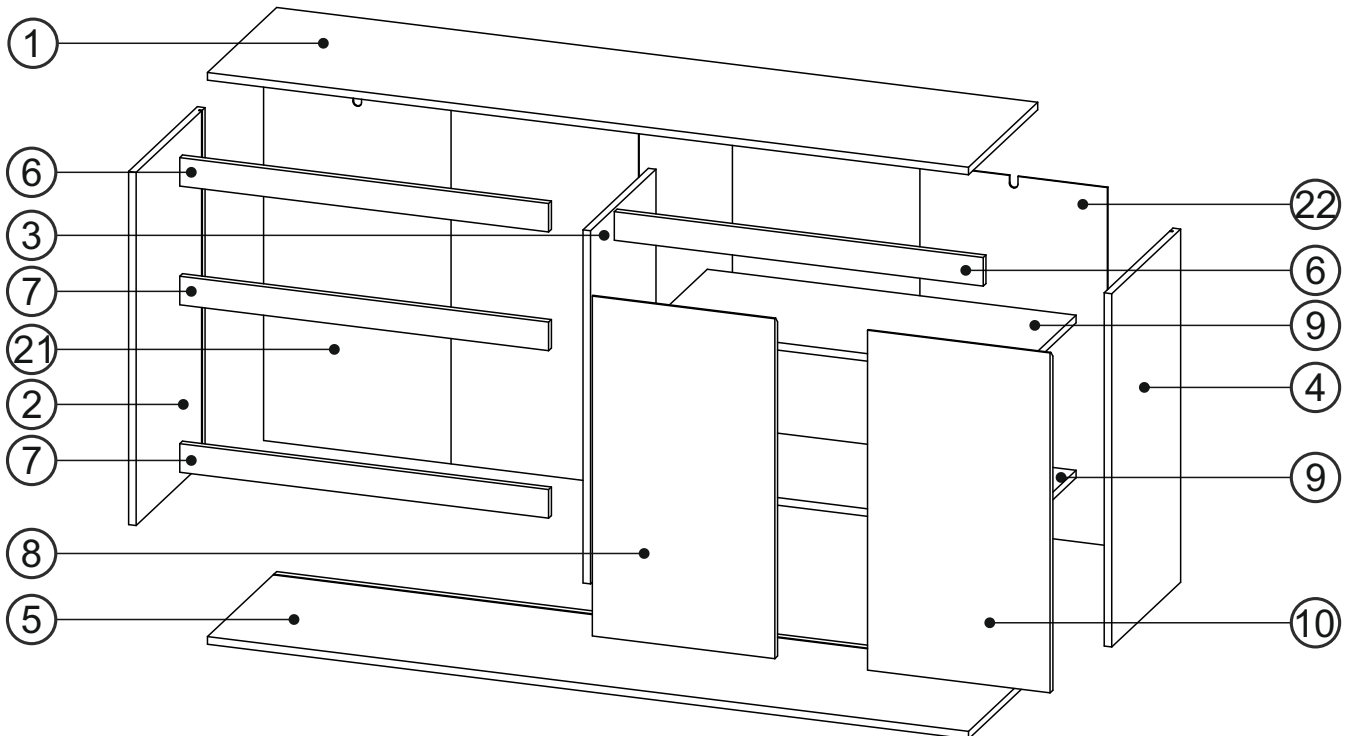
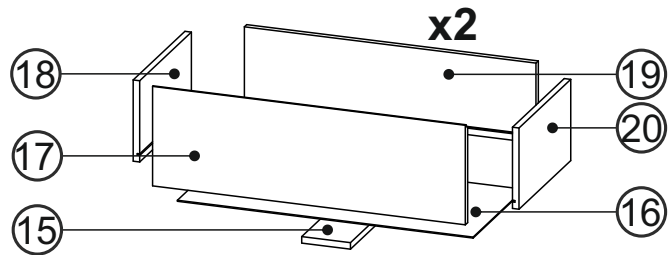
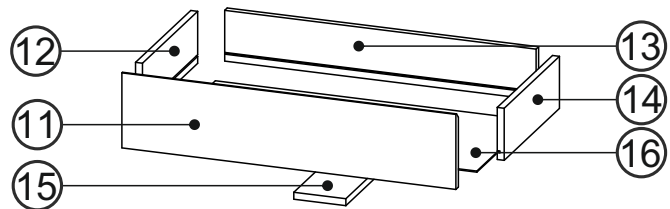
A0  ø8x30 x56	A1  ø8x50 x2	B0  ø 7mm x12	B1  ø7x50 x21	C0  ø16mm x12	C2  x21	C7  16mm x21	D0  3x15 x52	D5  3,5x16 x8	D12  4x25 x5	D21  5x13 x44
E0  8x50 x2	J4  x4	J6  x4	K  4mm x1	M1  x48	M3  x4	N7  L-350 x3	P0  x2	Q3  x8	Q4  x2	T17  x5
U0  x8										



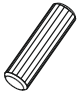




Kommode NITRO SOFT 1600/2D3Dr

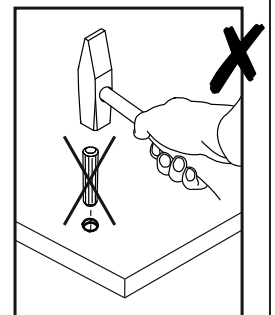
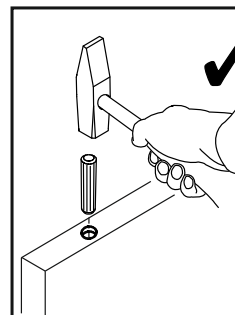
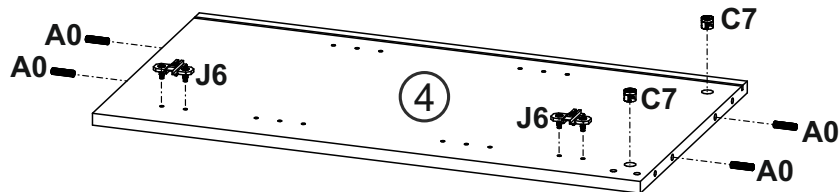
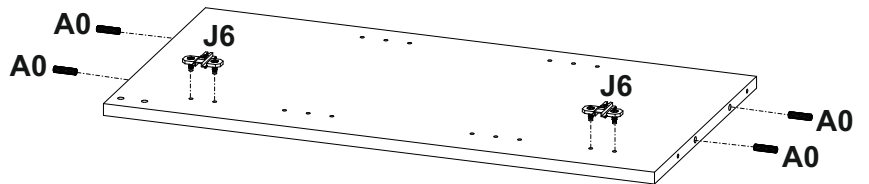
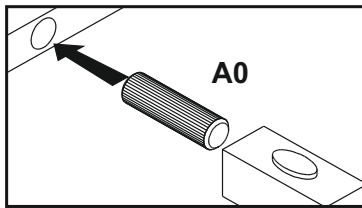
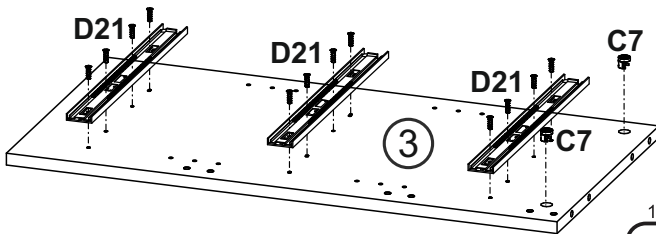
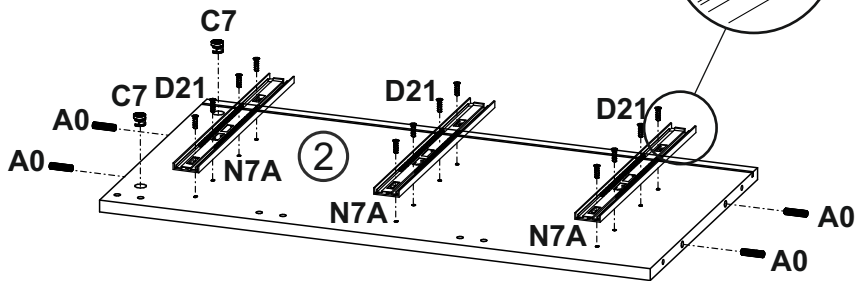
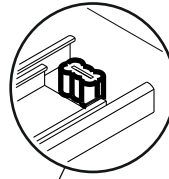
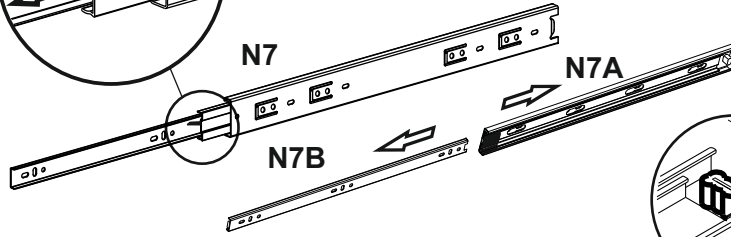
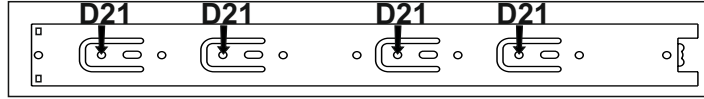
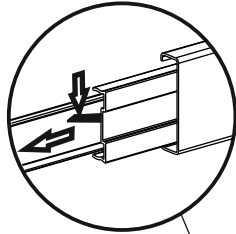
①	1601	400	16	x1	2/2
②	743	398	16	x1	2/2
③	743	378	16	x1	1/2
④	743	398	16	x1	2/2
⑤	1601	400	16	x1	2/2
⑥	776	60	16	x2	1/2
⑦	776	60	16	x2	1/2
⑧	715	384	16	x1	2/2
⑨	776	350	16	x2	1/2
⑩	715	384	16	x1	2/2
⑪	770	173	16	x1	1/2
⑫	350	120	16	x1	1/2
⑬	718	117	16	x1	1/2
⑭	350	120	16	x1	1/2
⑮	333,5	120	16	x3	1/2

⑯	728	344	3	x3	1/2
⑰	770	245	16	x2	1/2
⑱	350	200	16	x2	1/2
⑲	718	197	16	x2	1/2
⑳	350	200	16	x2	1/2
㉑	753	789	3	x1	2/2
㉒	753	789	3	x1	2/2
					1/2

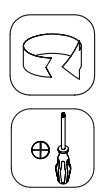
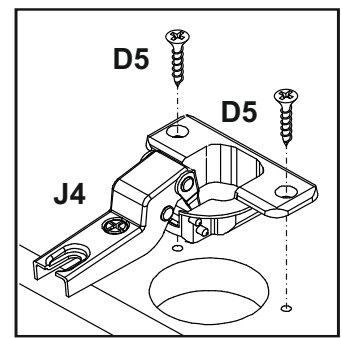
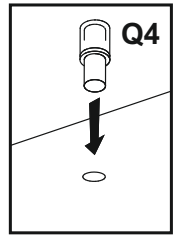
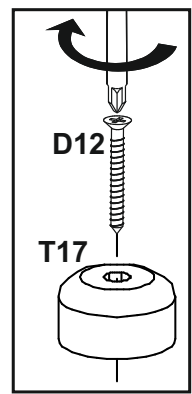
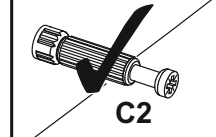
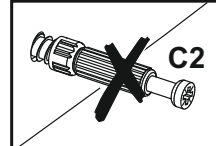
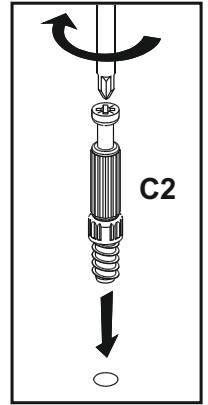
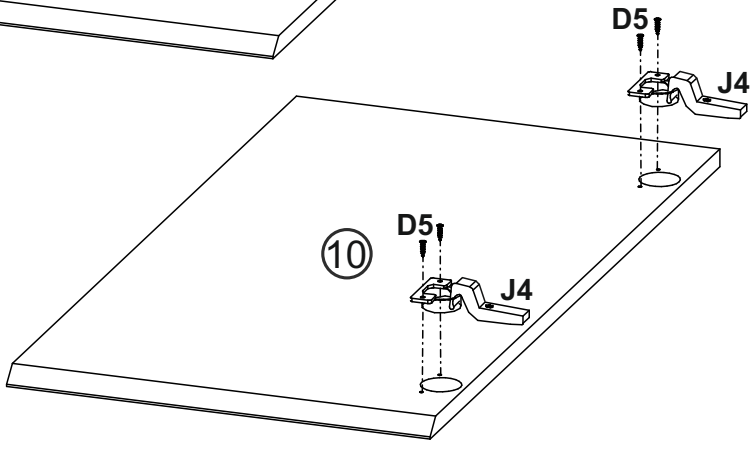
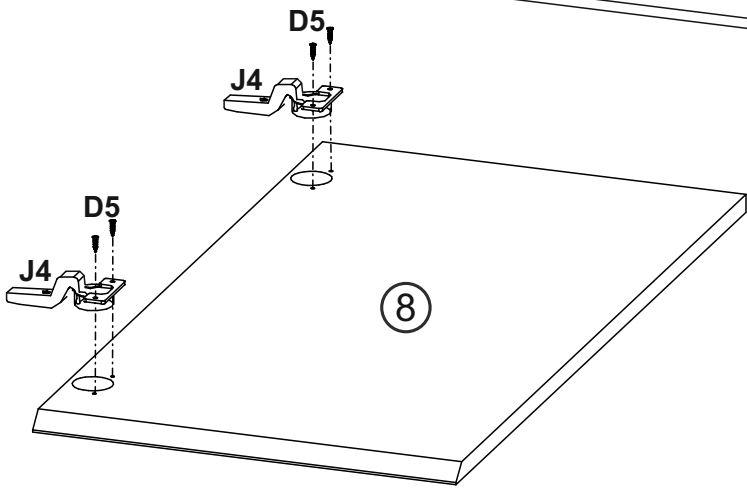
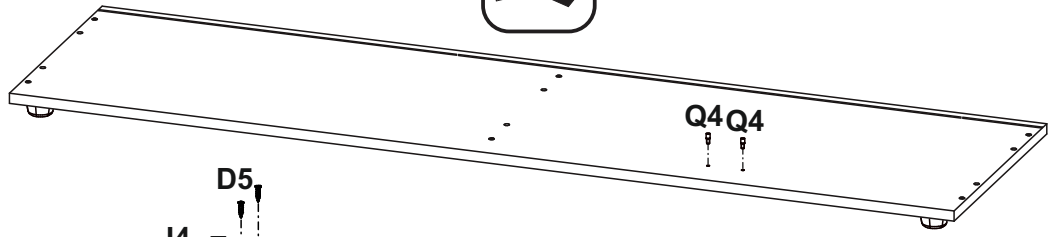
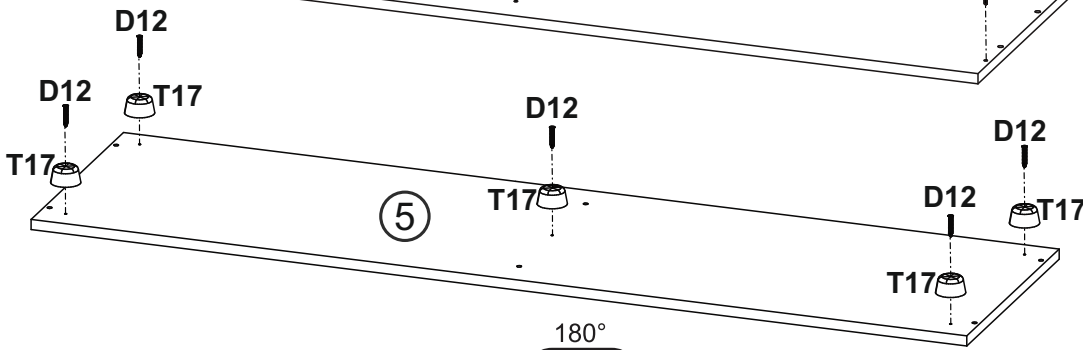
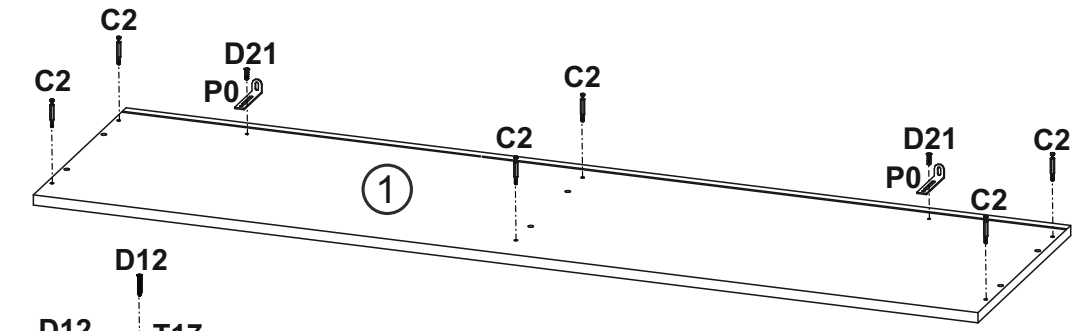
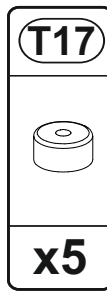
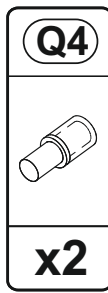
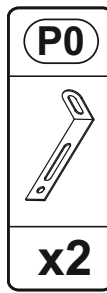
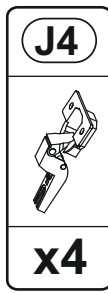
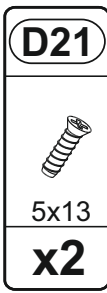
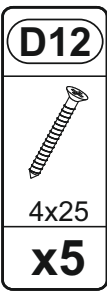
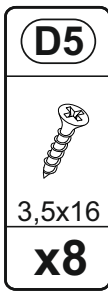
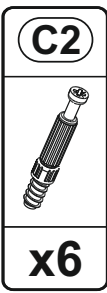
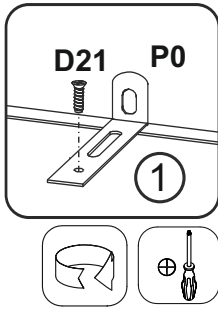


1

A0  ø8x30 x12	C7  16mm x6	D21  5x13 x24	J6  x4	N7  L-350 x3
---	---	---	---	--

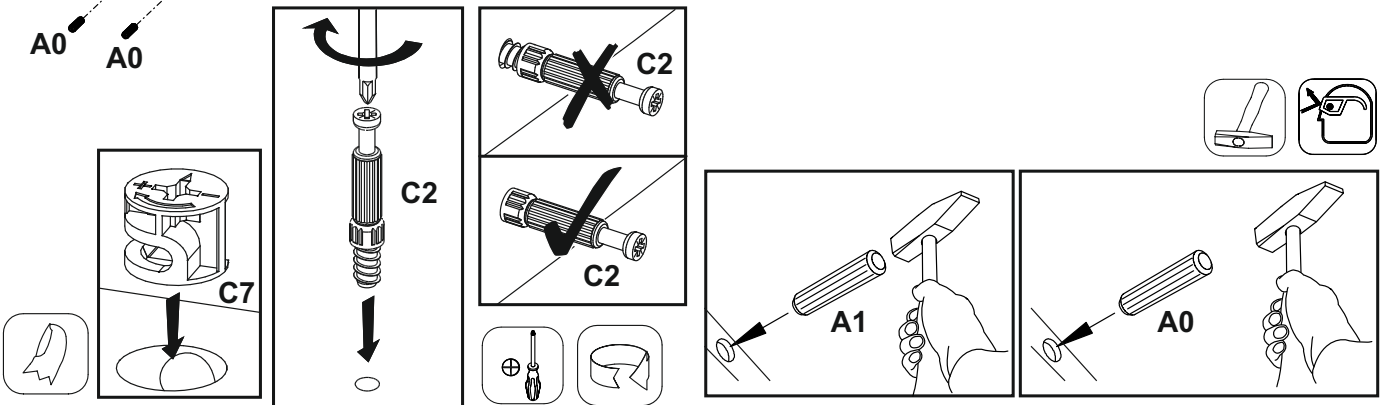
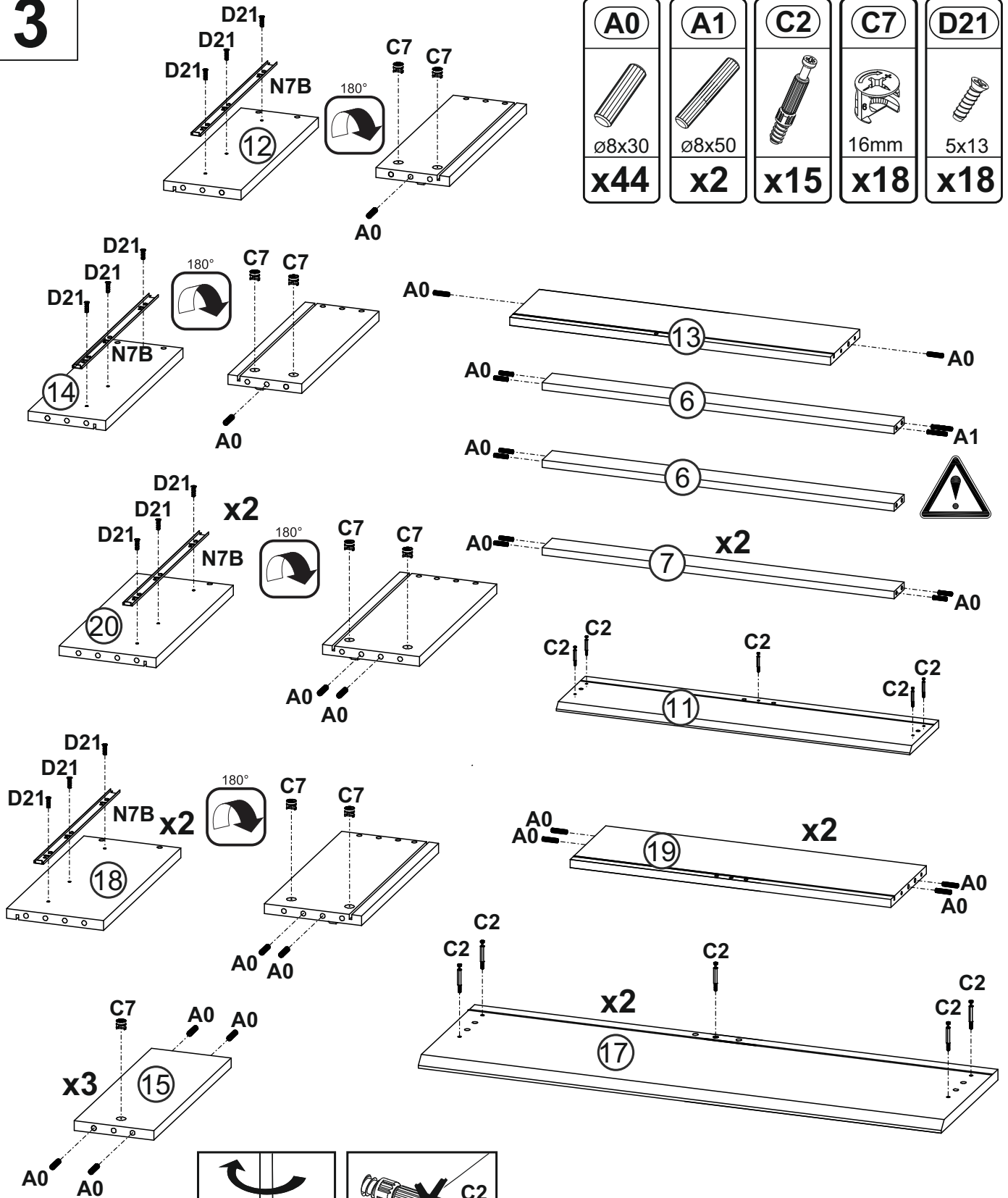


2

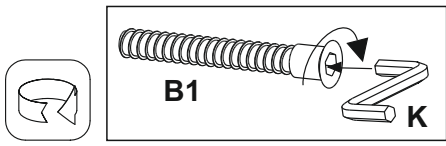


3

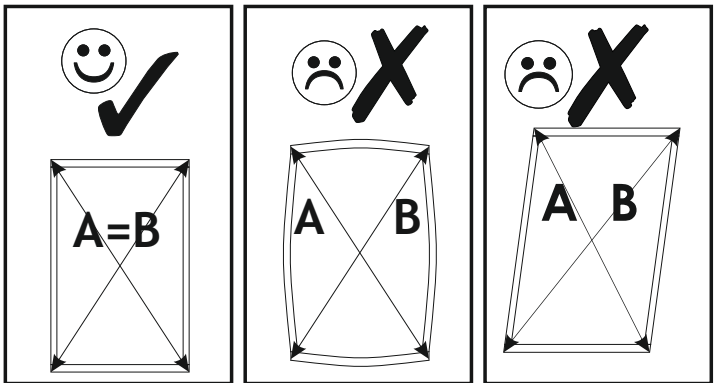
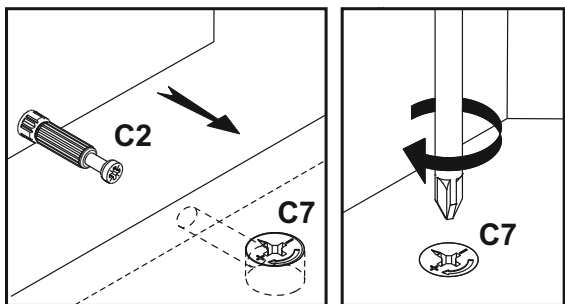
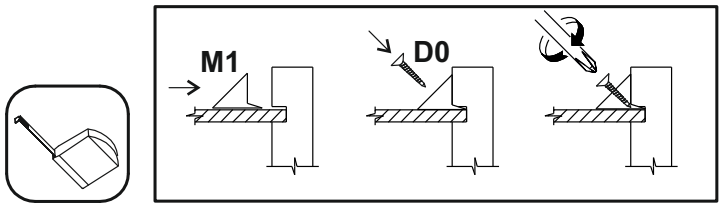
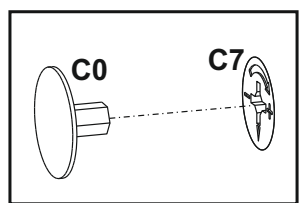
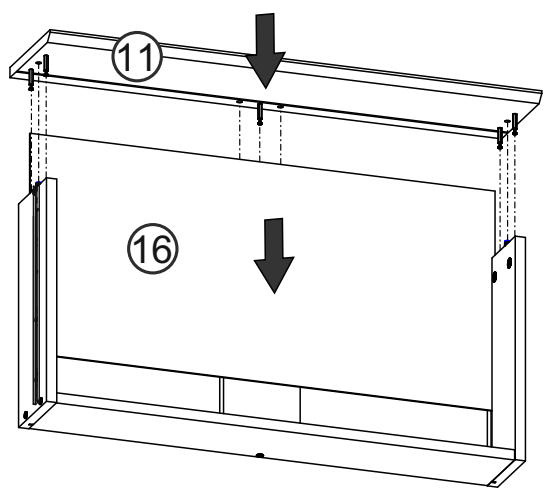
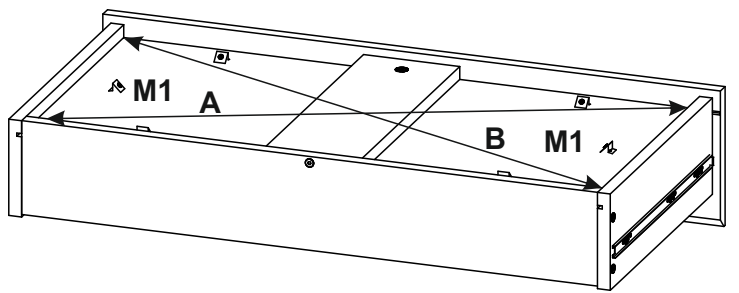
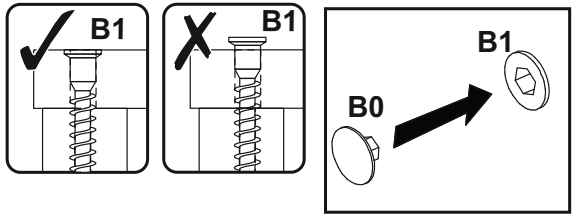
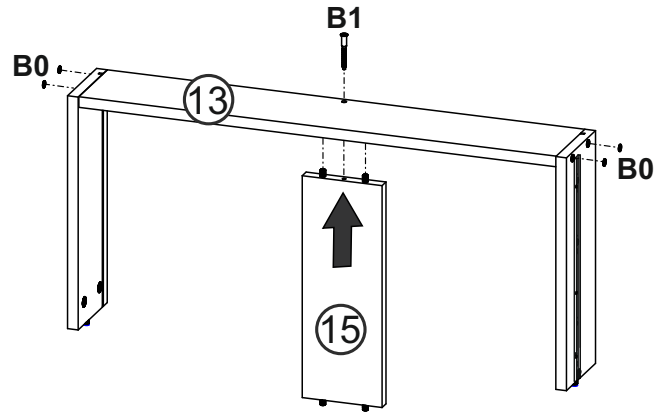
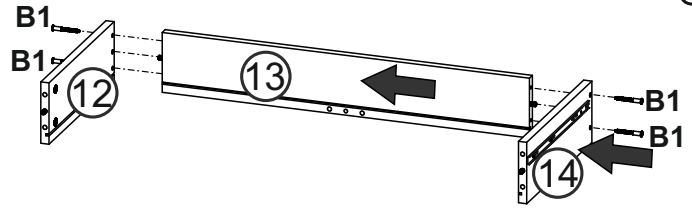
A0	A1	C2	C7	D21
∅8x30	∅8x50		16mm	5x13
x44	x2	x15	x18	x18

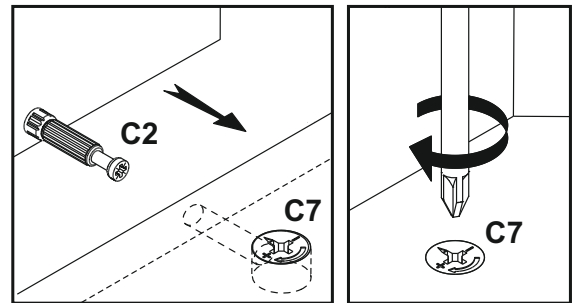
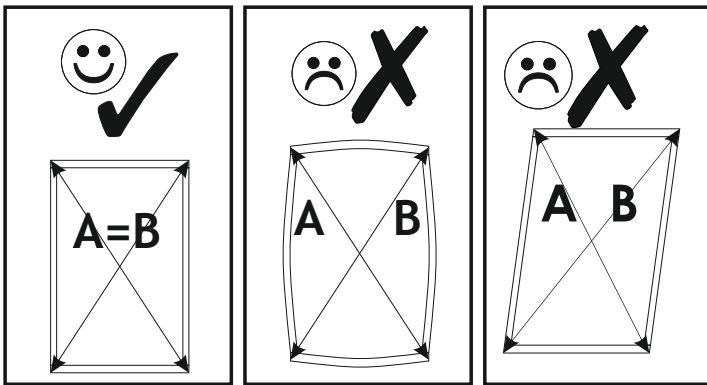
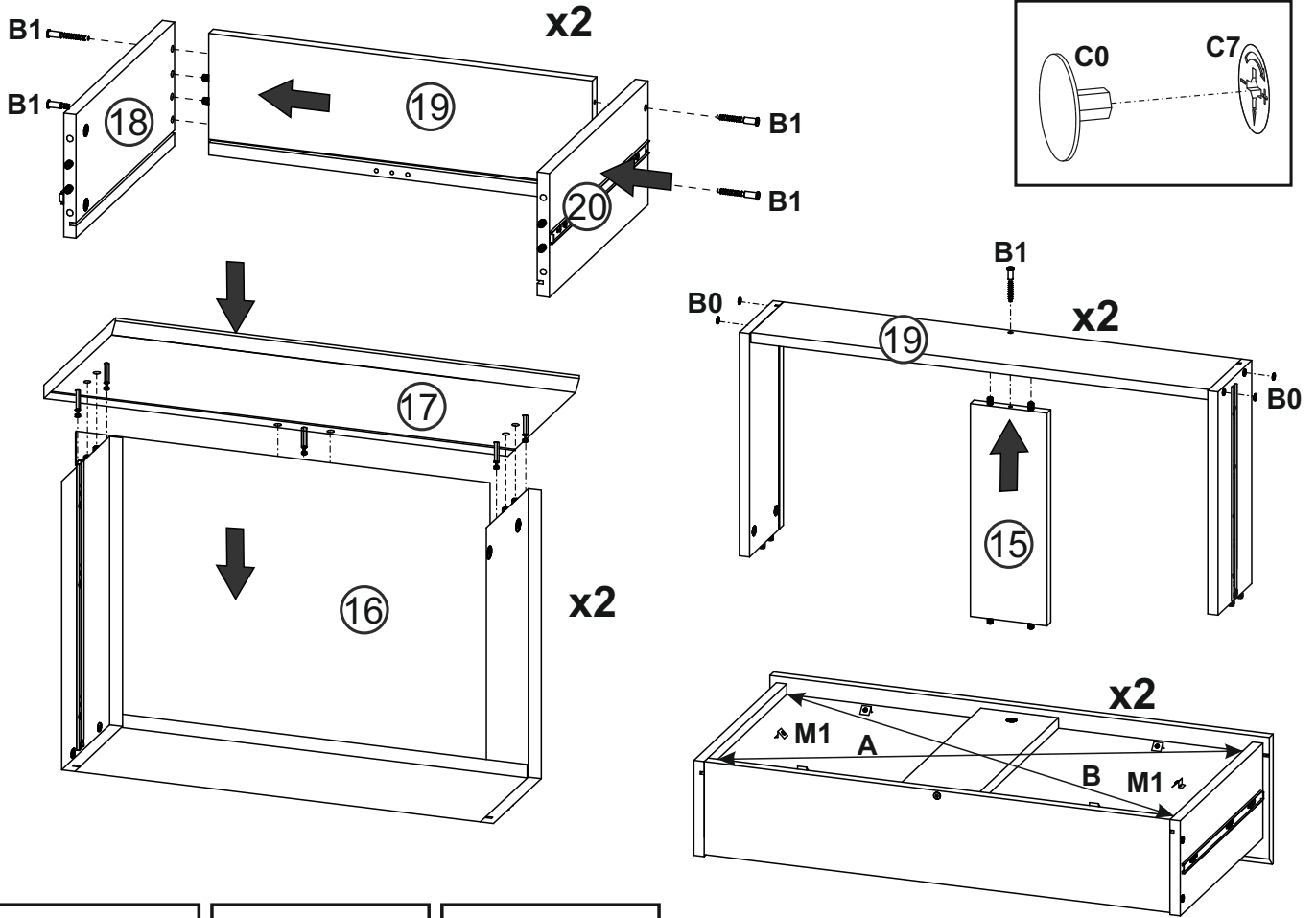


4

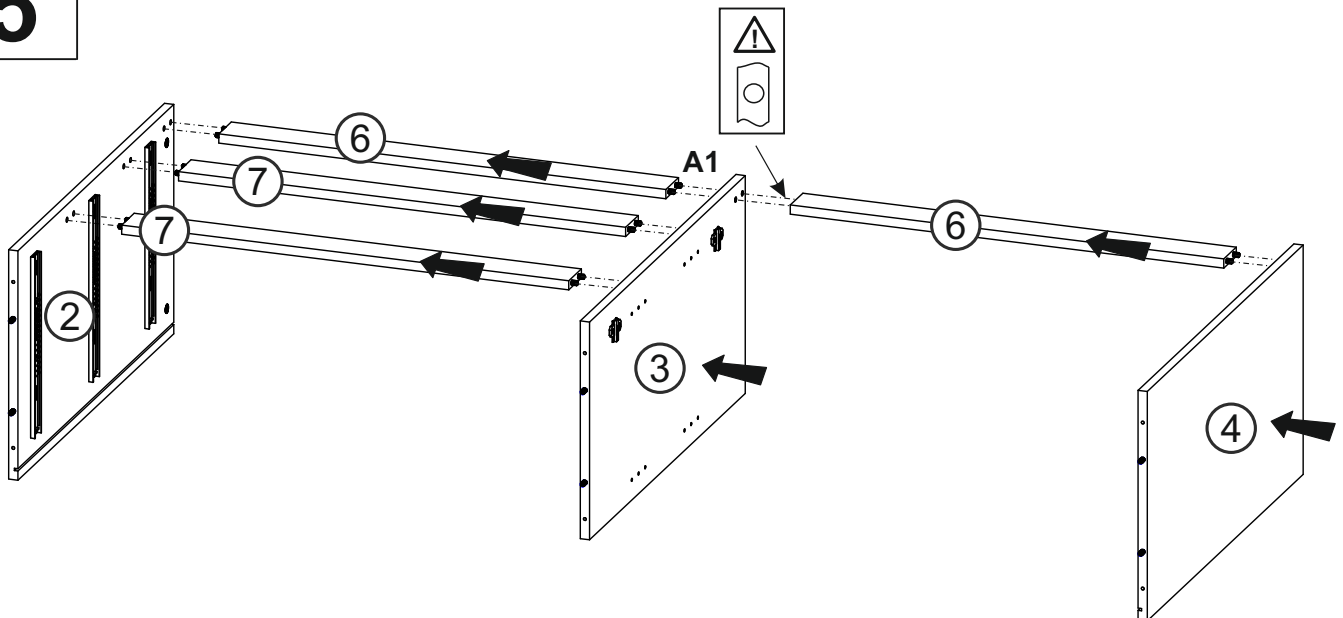


B0	B1	C0	D0	K	M1
∅ 7mm	∅7x50	∅16mm	3x15	4mm	
x12	x15	x12	x18	x1	x18

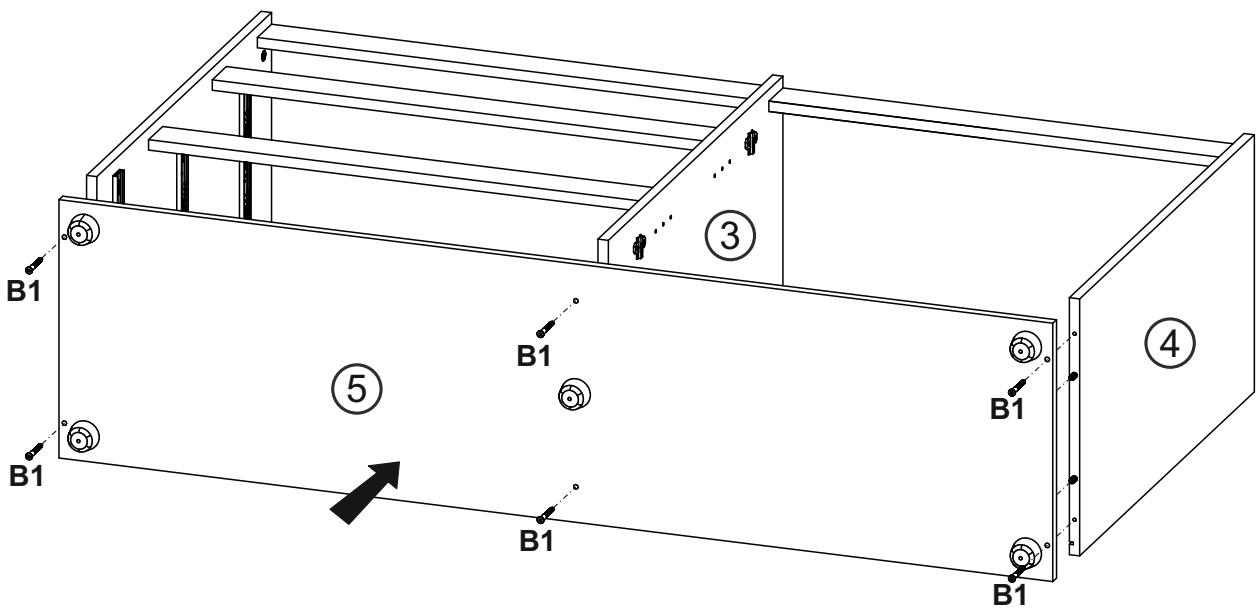
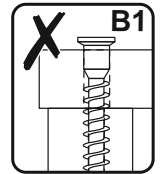
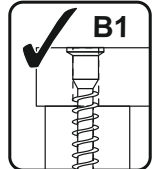
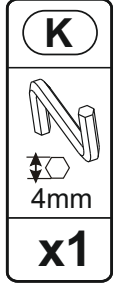
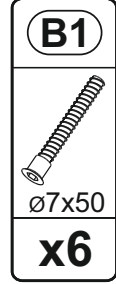
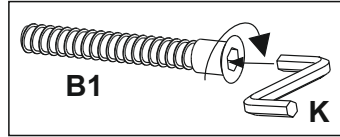




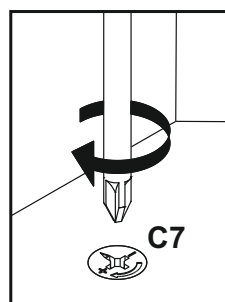
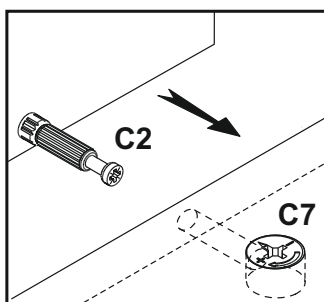
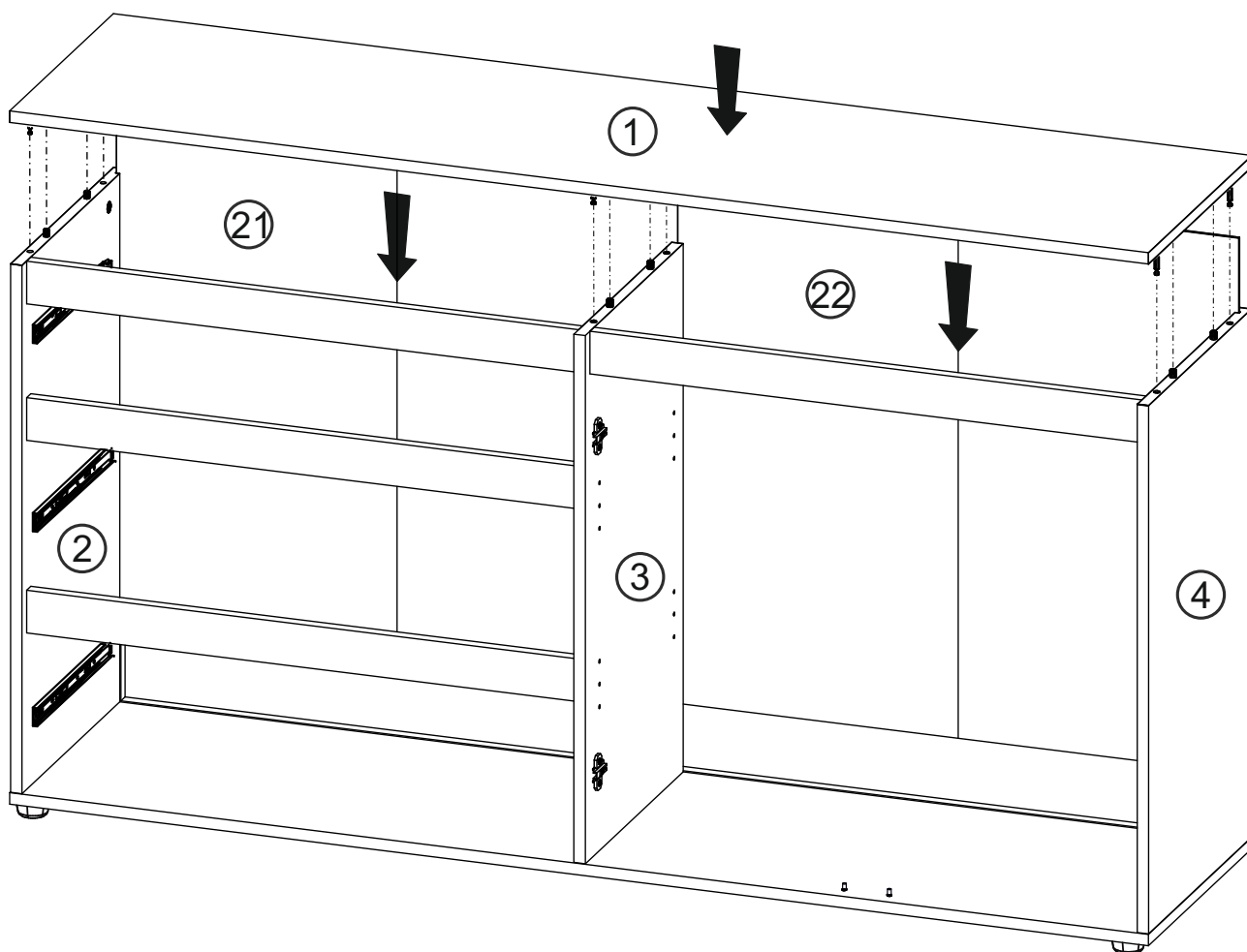
5






6

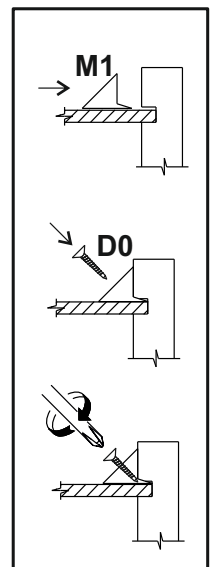
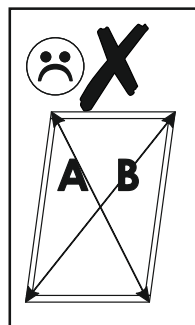
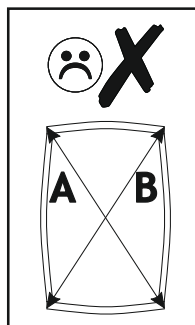
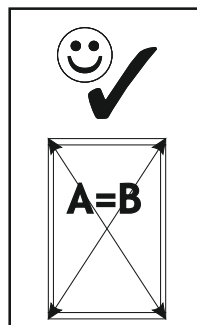
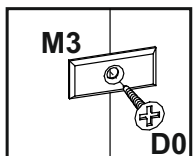
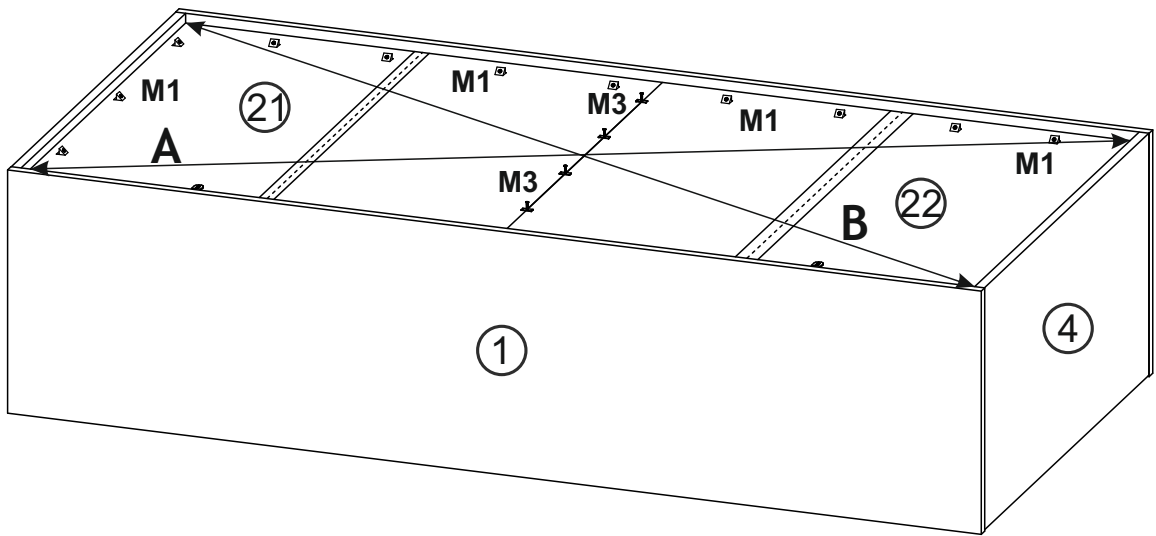


7

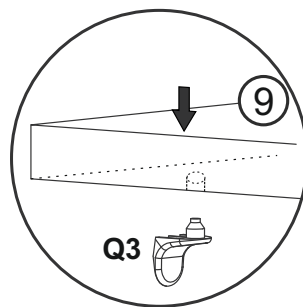
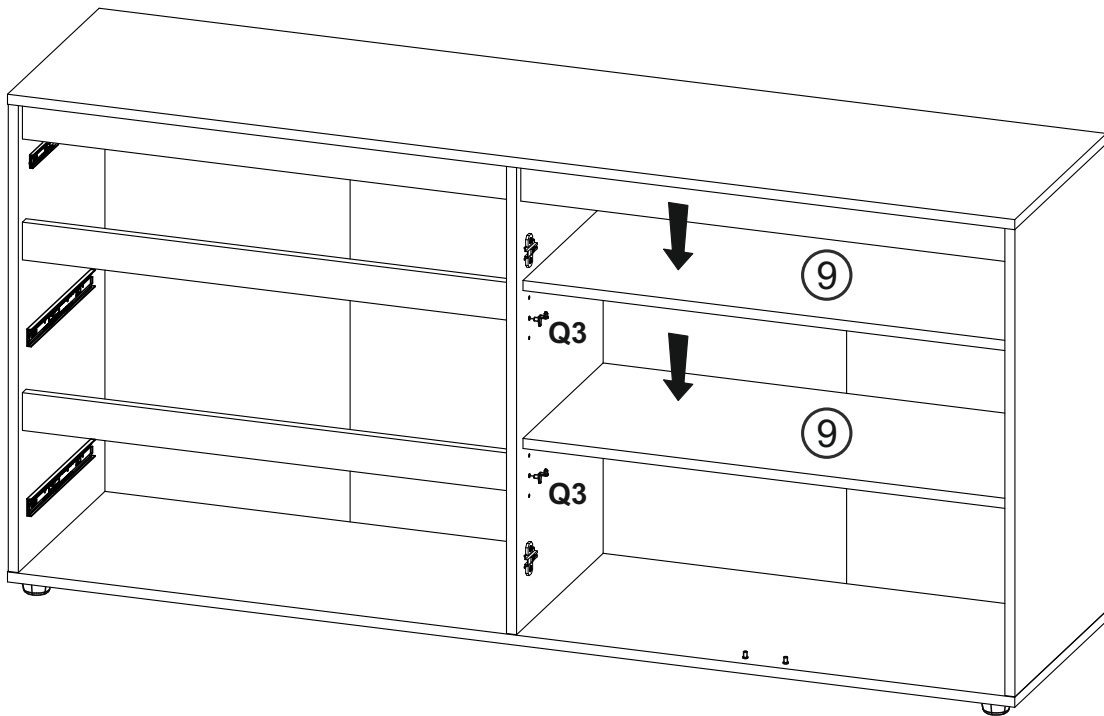
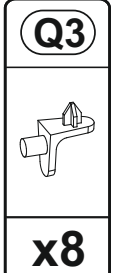
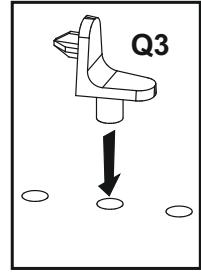


8

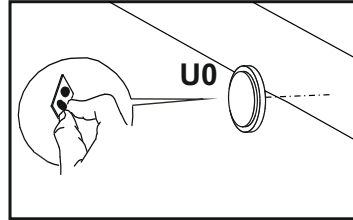
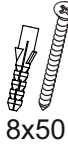
D0	M1	M3
		
3x15		
x34	x30	x4



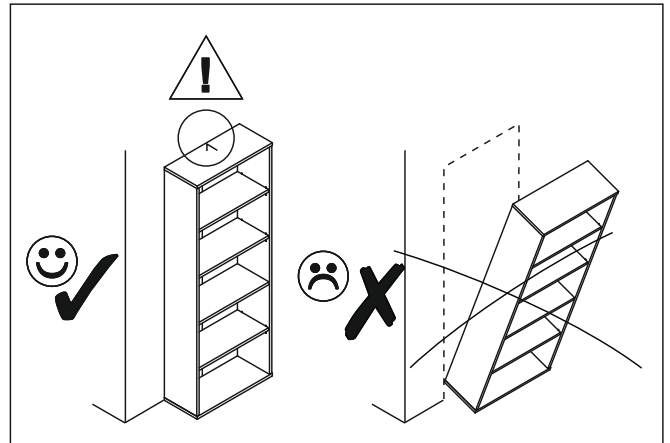
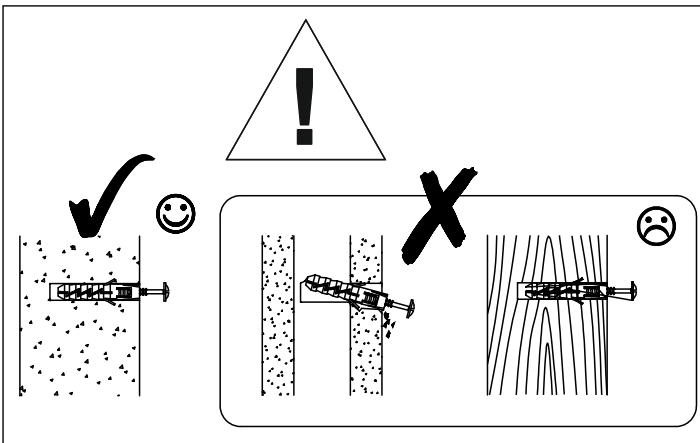
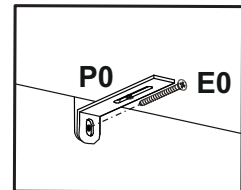
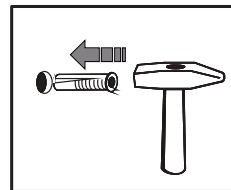
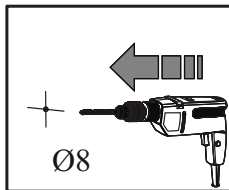
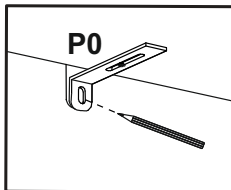
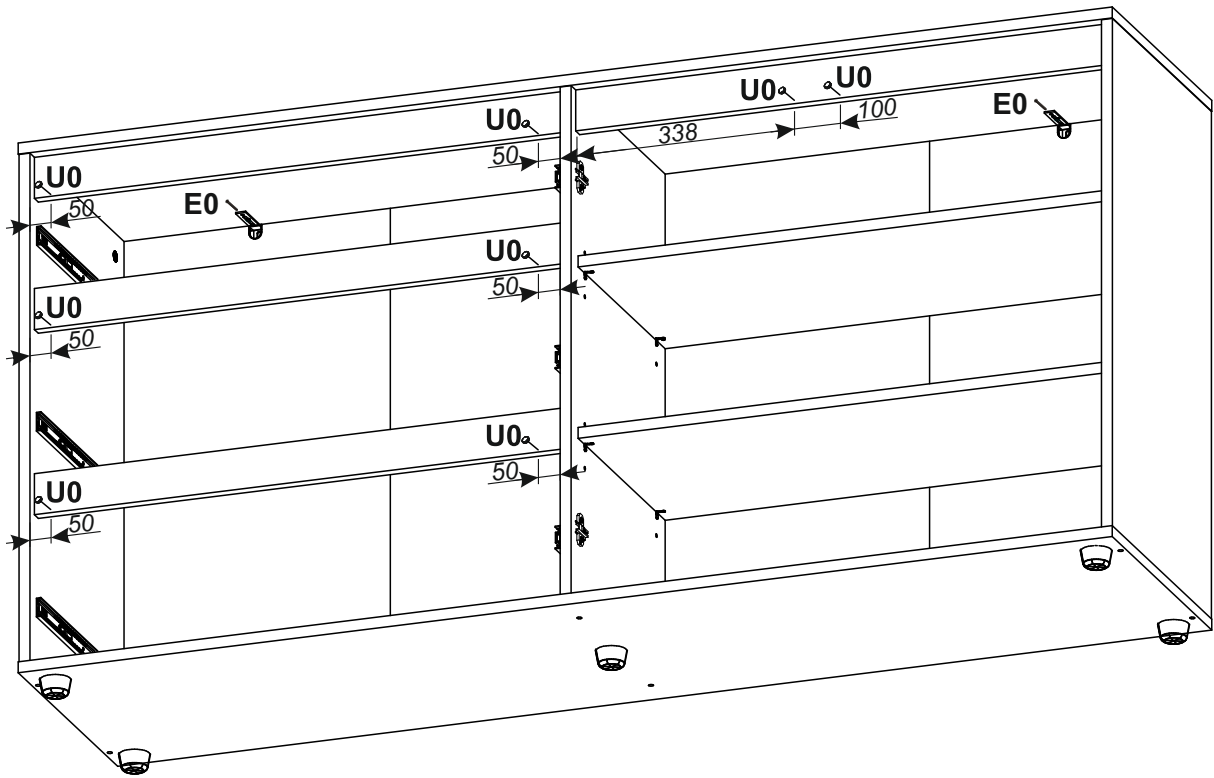
9

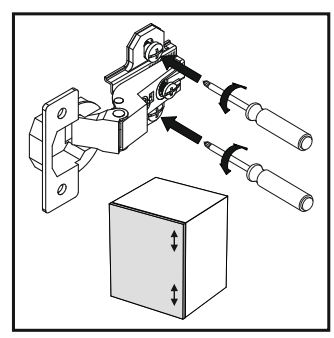
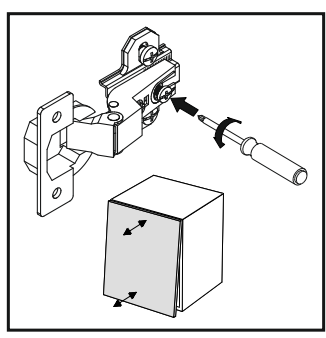
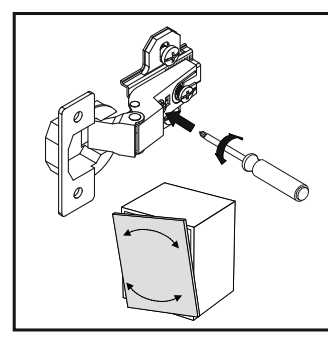
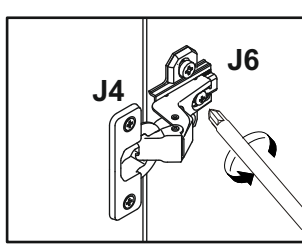
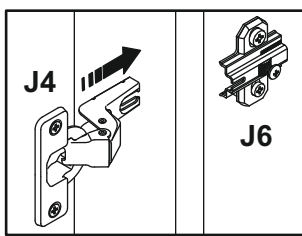
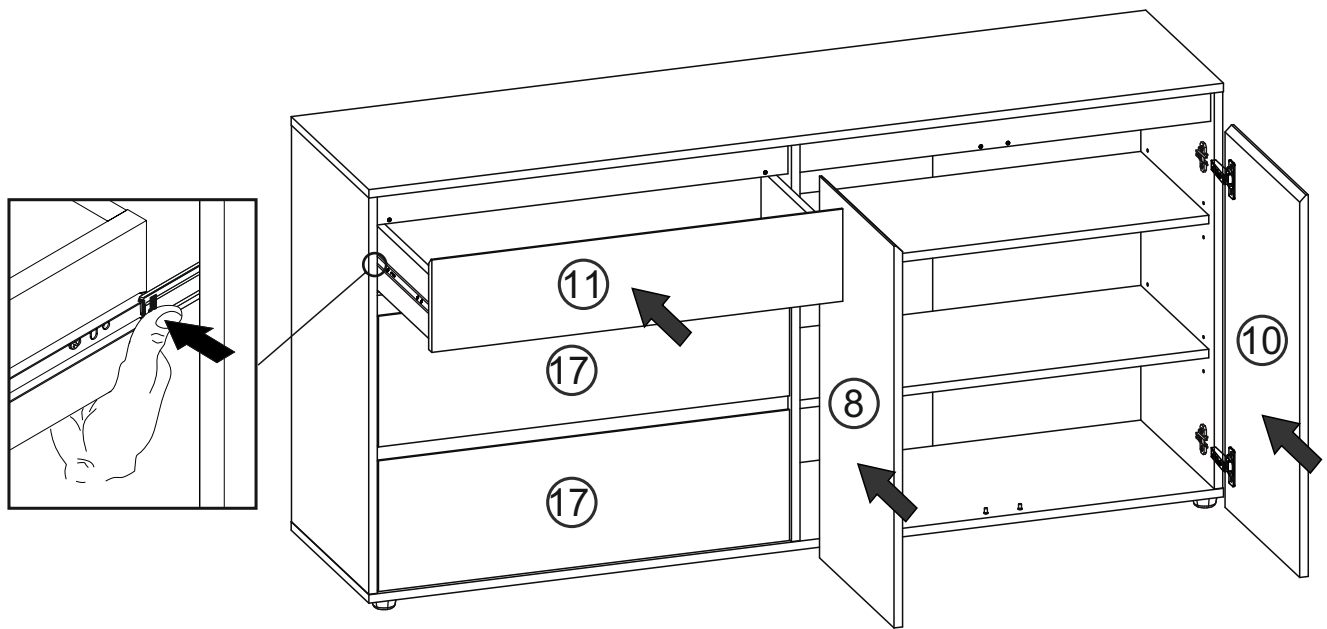
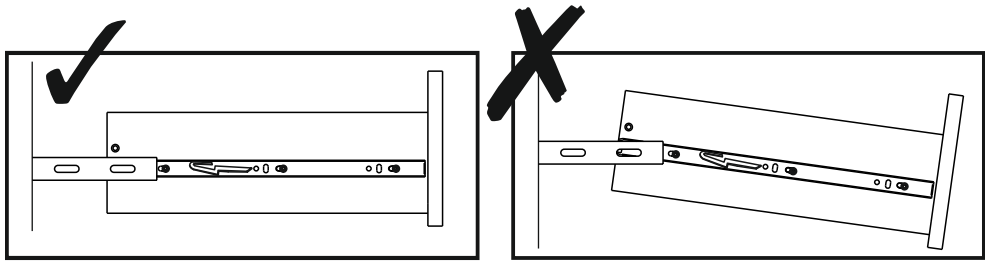


10

**E0**

8x50

x2**U0****x8**





max.
5 kg

max.
5 kg

max.
5 kg

max.
15 kg

max.
5 kg

max.
5 kg

max.
10 kg