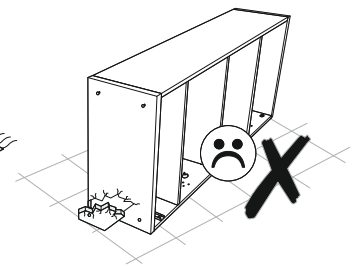
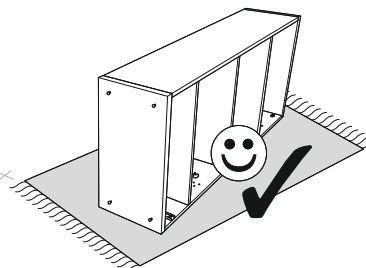
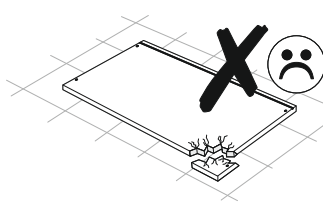
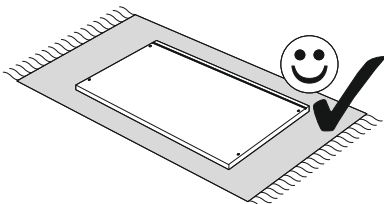
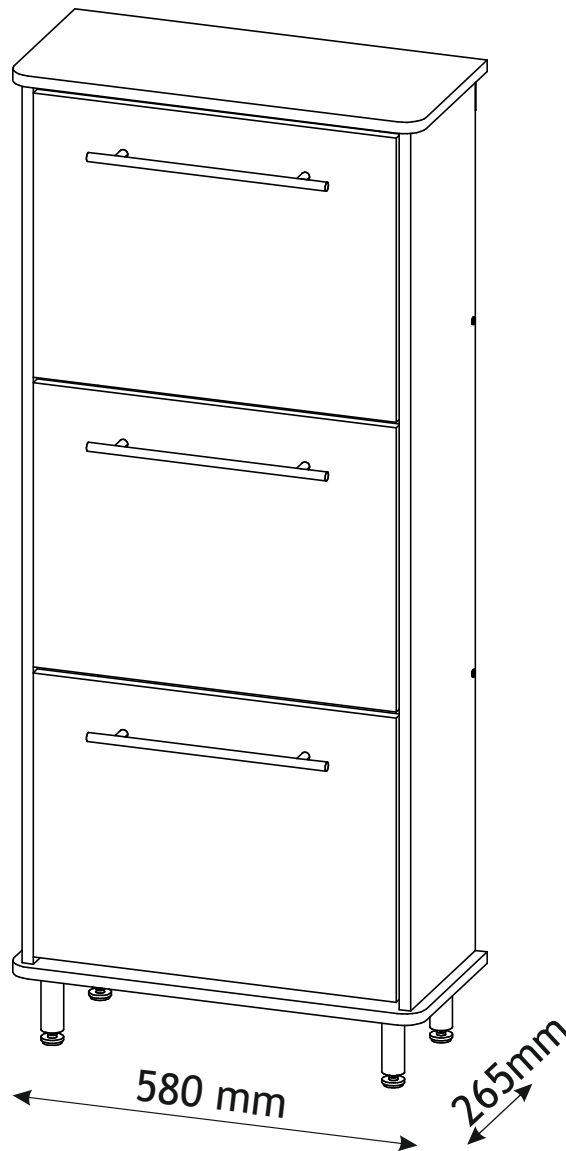
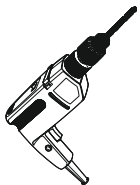
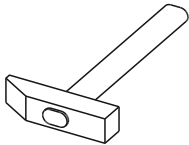
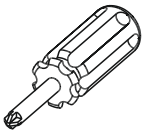
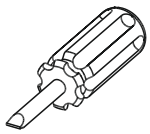
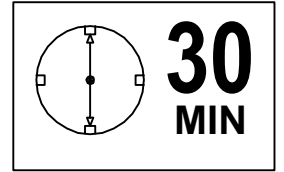
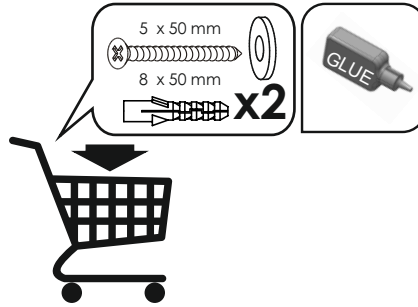
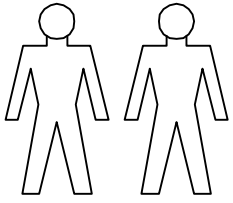
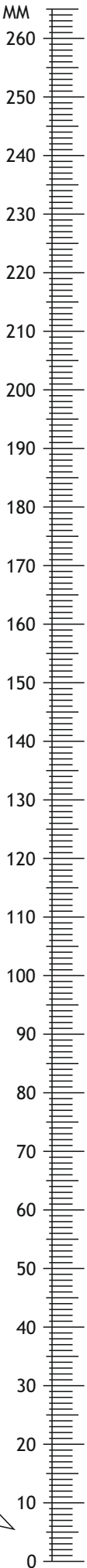


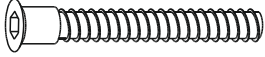




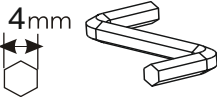
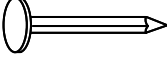
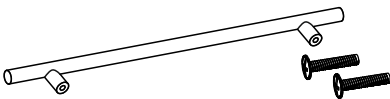
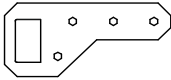
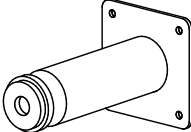
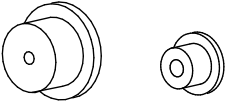
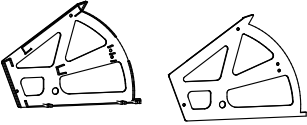


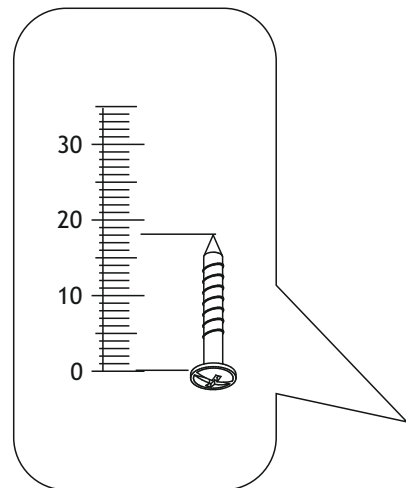
NIAGARA Shoe unit 580 3D



NIAGARA Shoe unit 580 3D




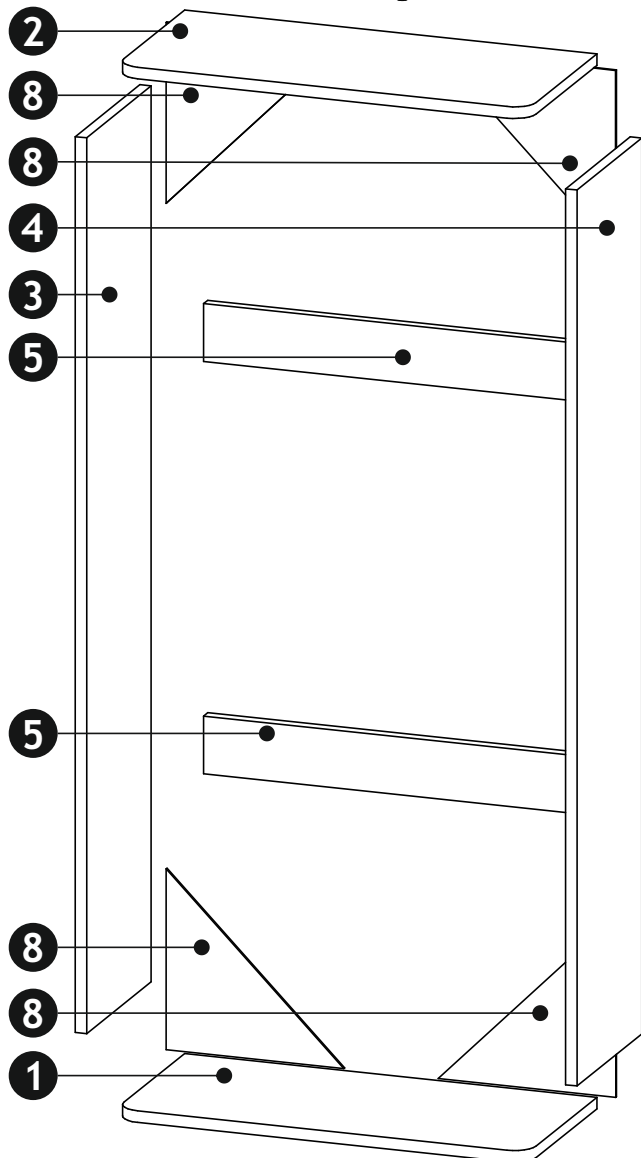
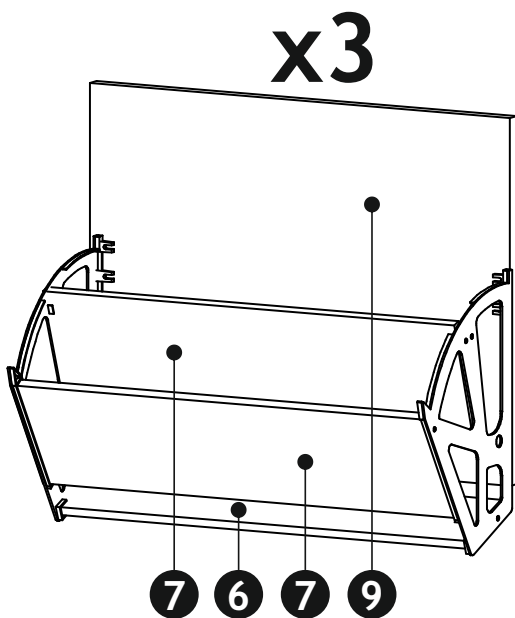
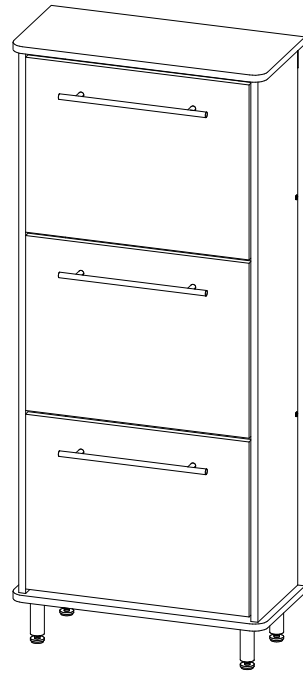
(A0) 8 x 32mm x14 	(B0) x4 	(B1) f 7 x 50 mm x8 
(D0) 3 x 15 mm x18 	(D2) 3 x 30 mm x6 	(D10) 4 x 16 mm x34 
(D22) 5 x 11 mm x6 	(K) 4mm x1 	(T8) x20 
x3 	x2 	x4 
x3 	x3 	



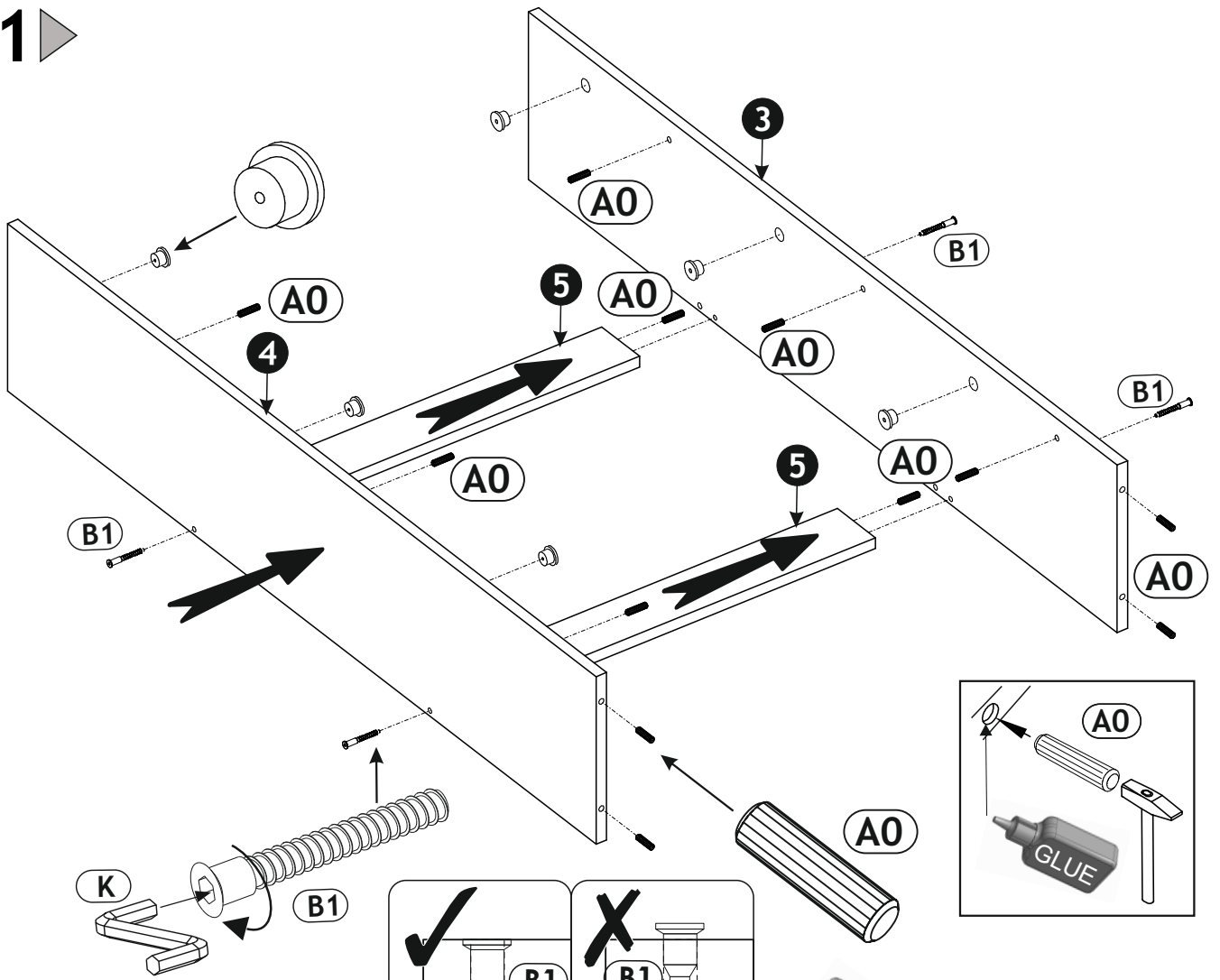
NIAGARA

Shoe unit 580 3D

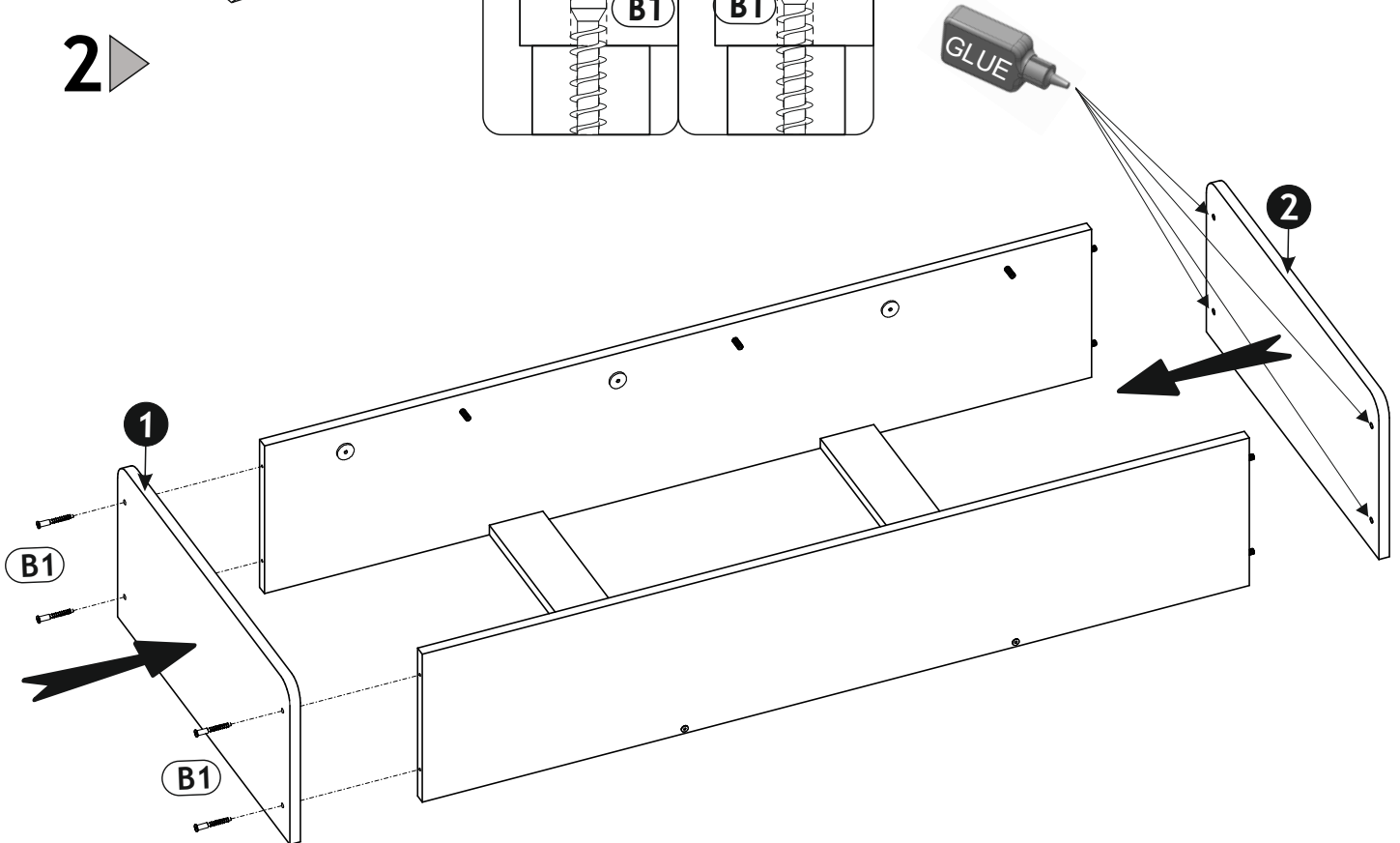
1	580	265	16	x1	1/2
2	580	265	16	x1	1/2
3	1239	250	16	x1	1/2
4	1239	250	16	x1	1/2
5	517	80	16	x2	1/2
6	504	90	16	x3	1/2
7	504	140	16	x6	1/2
8	250	250	2,5	x4	1/2
9	400	511	16	x3	2/2
					1/2



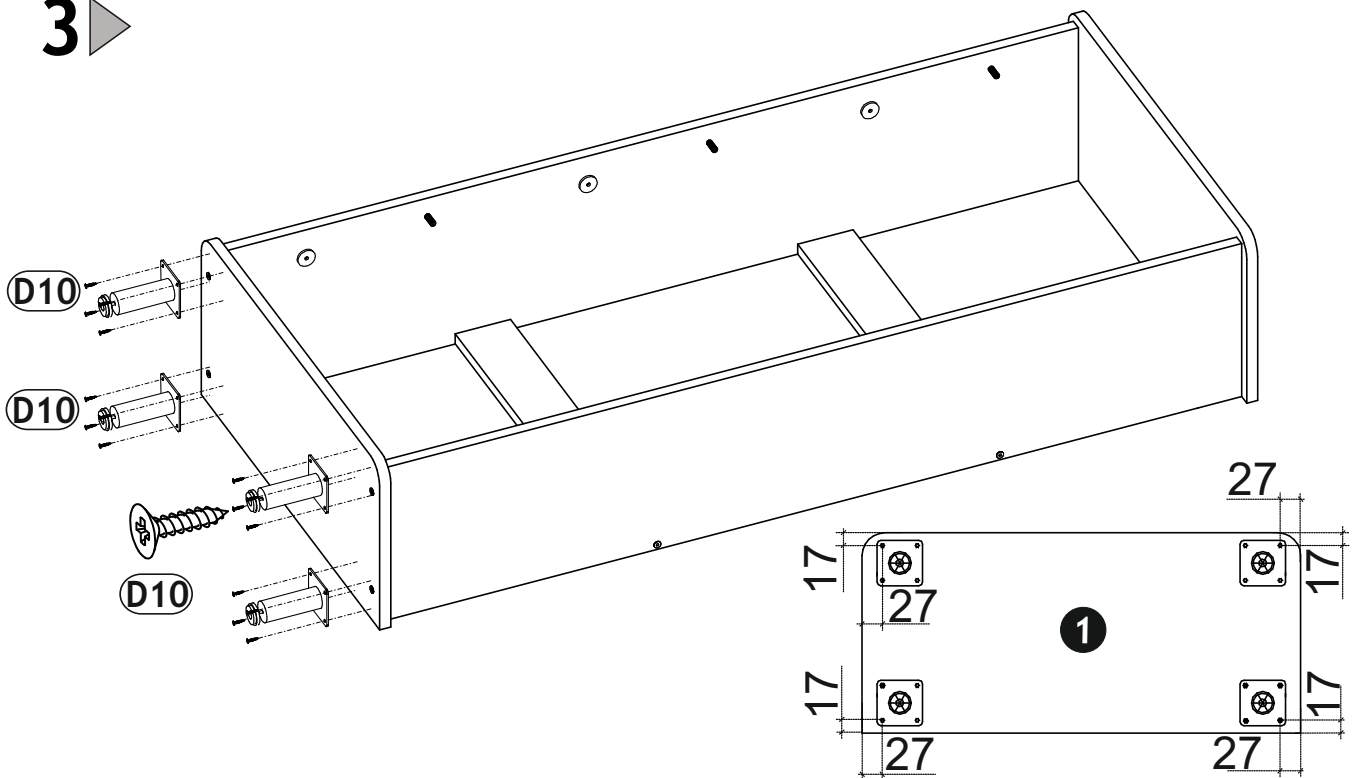
1 ▶



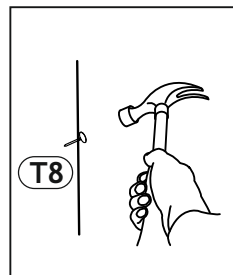
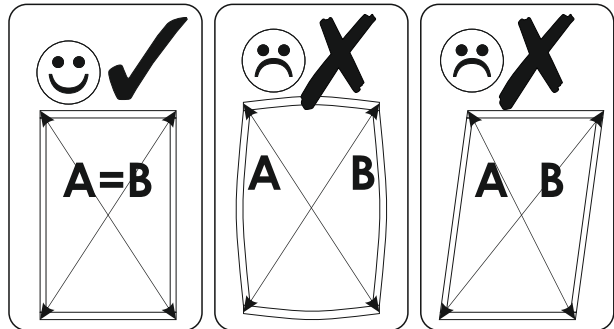
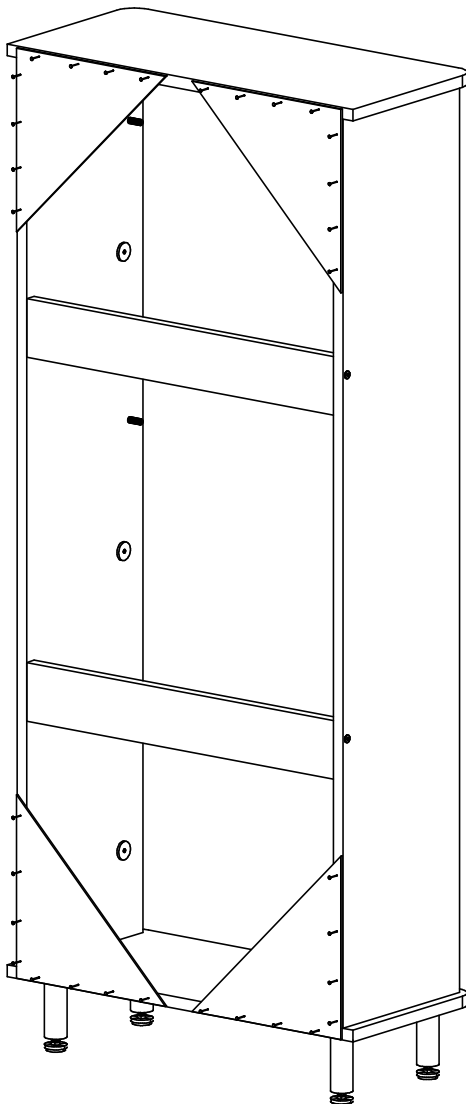
2 ▶

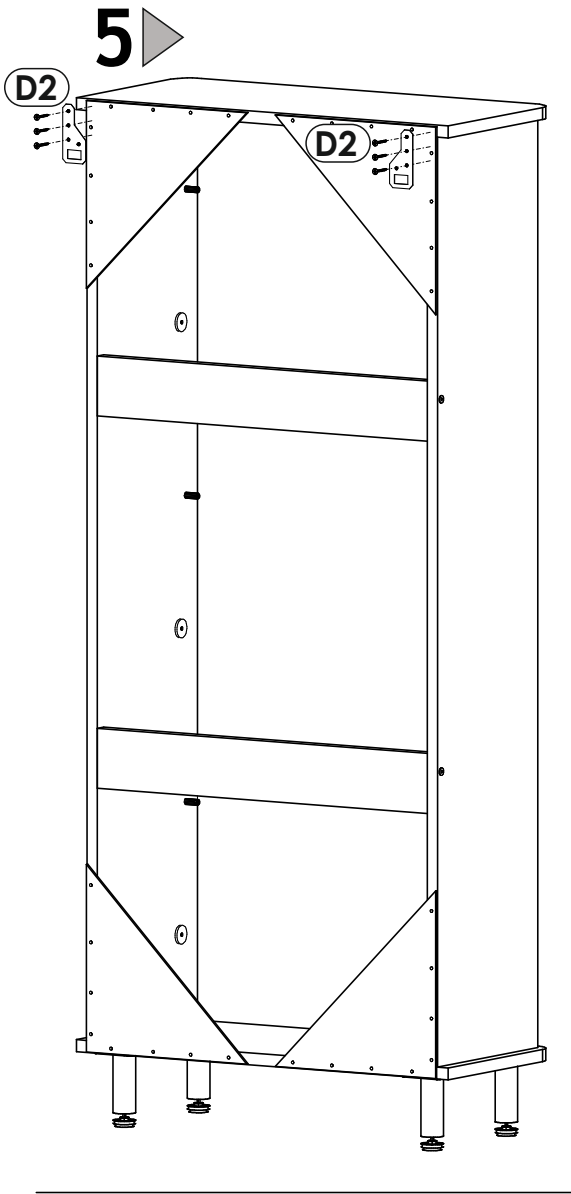


3 ▶

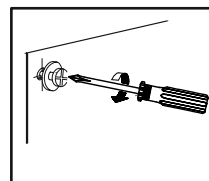
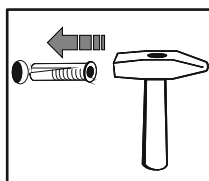
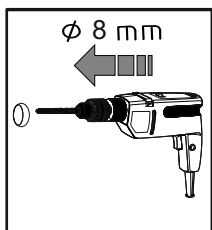
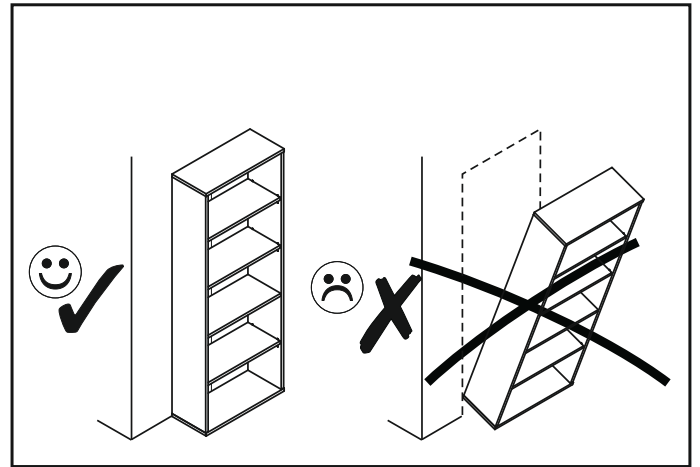
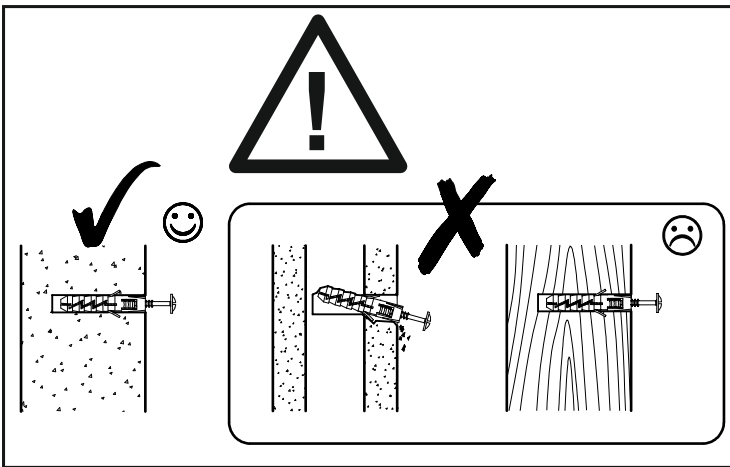
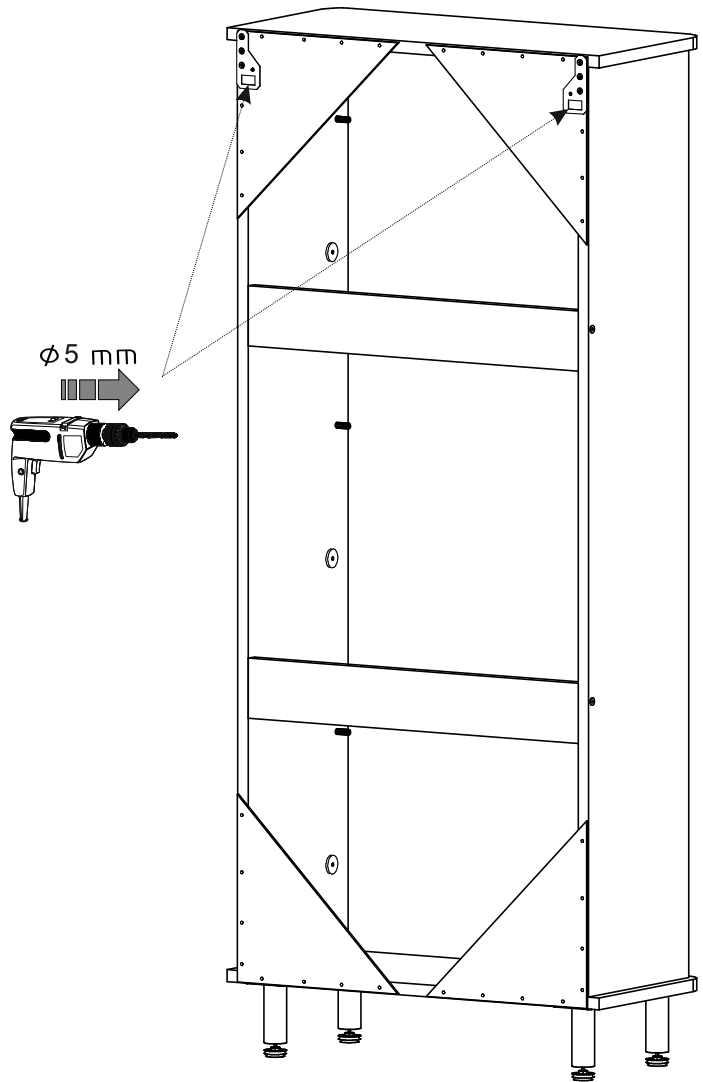
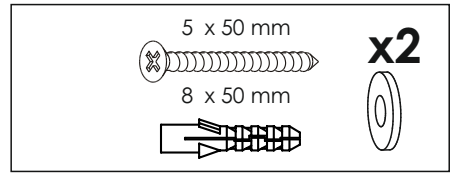


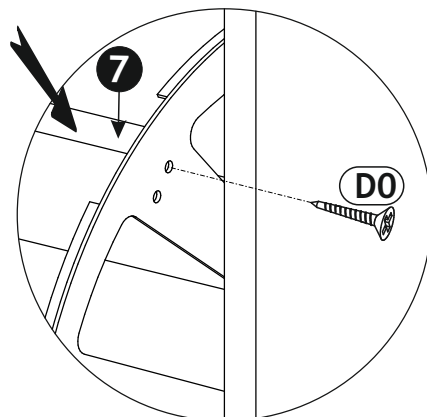
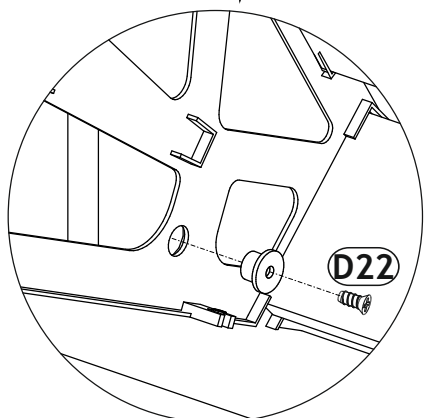
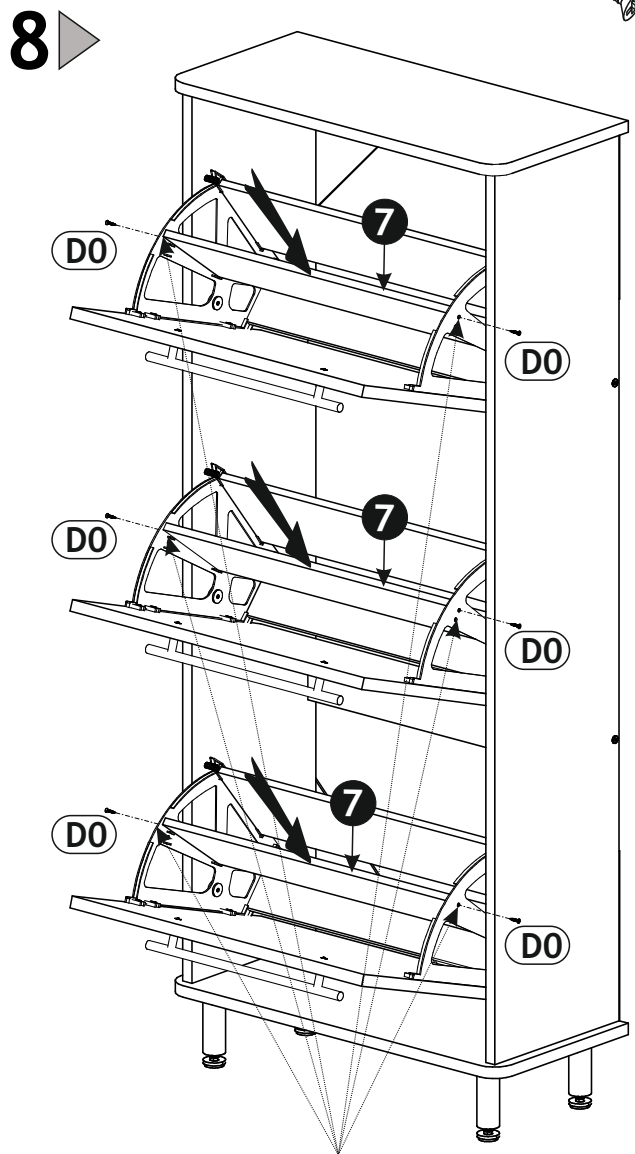
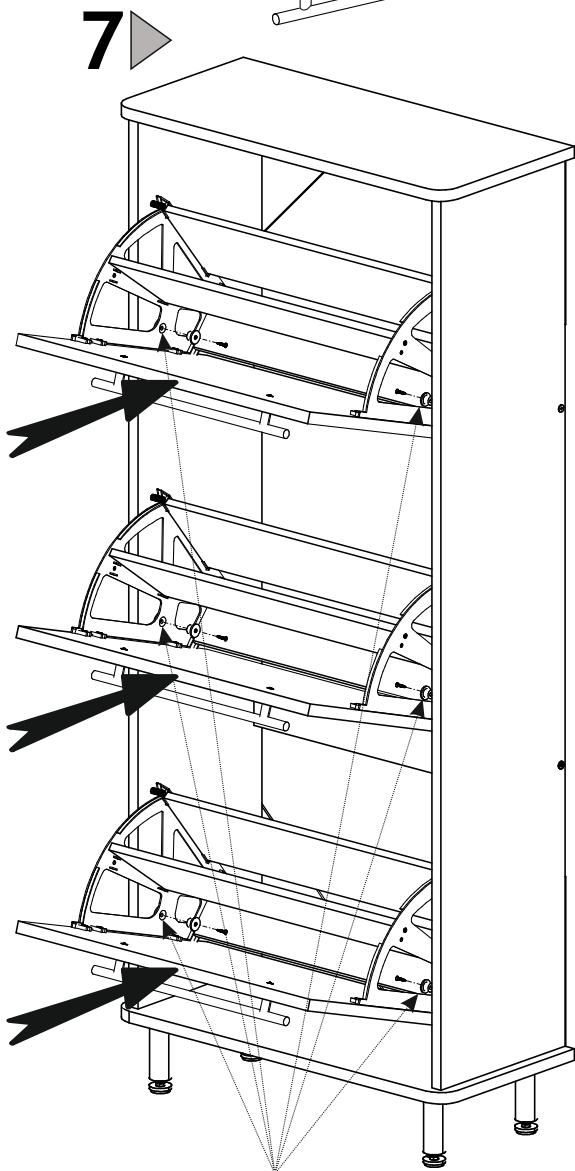
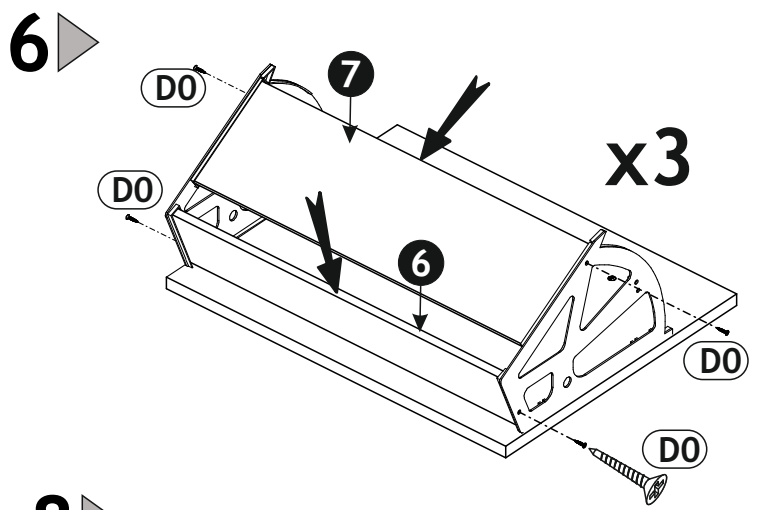
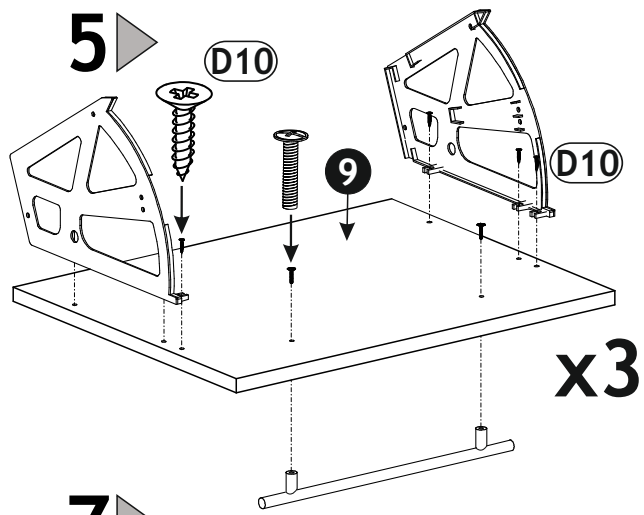
4 ▶





6 ▶





9 ▶

