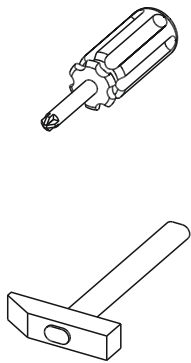
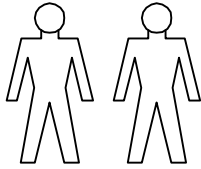
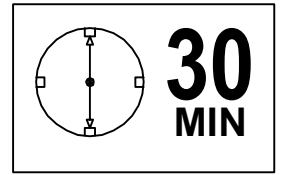
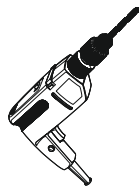
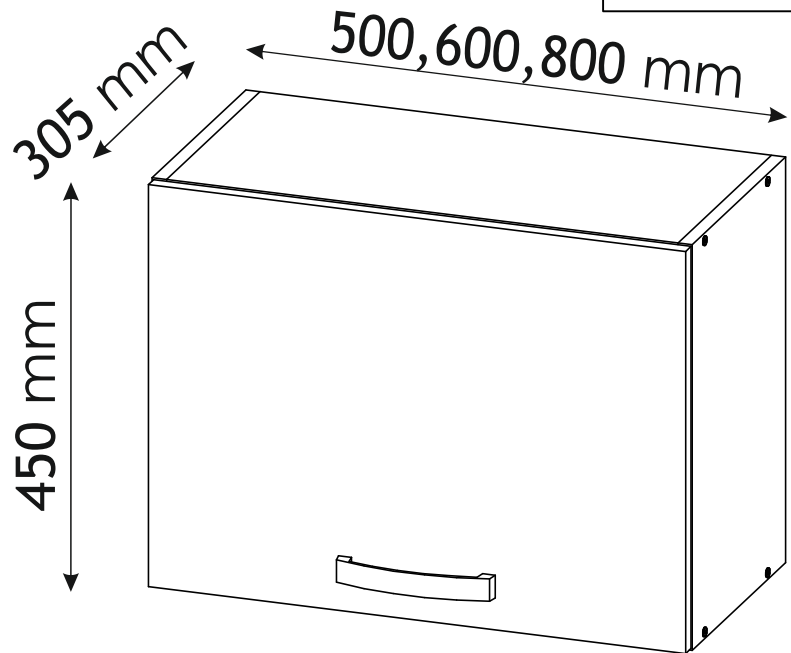


CHARLOTTE

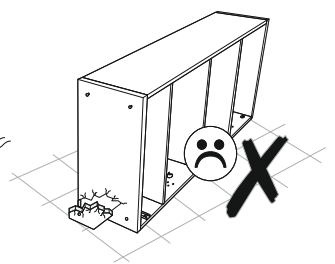
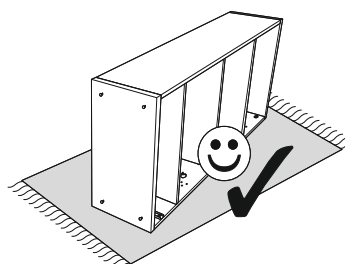
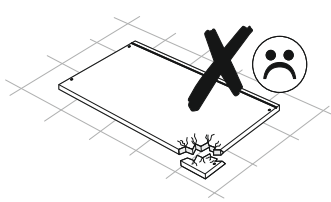
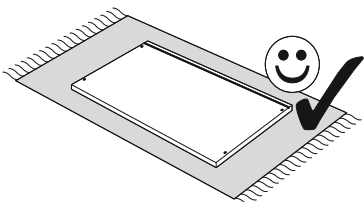
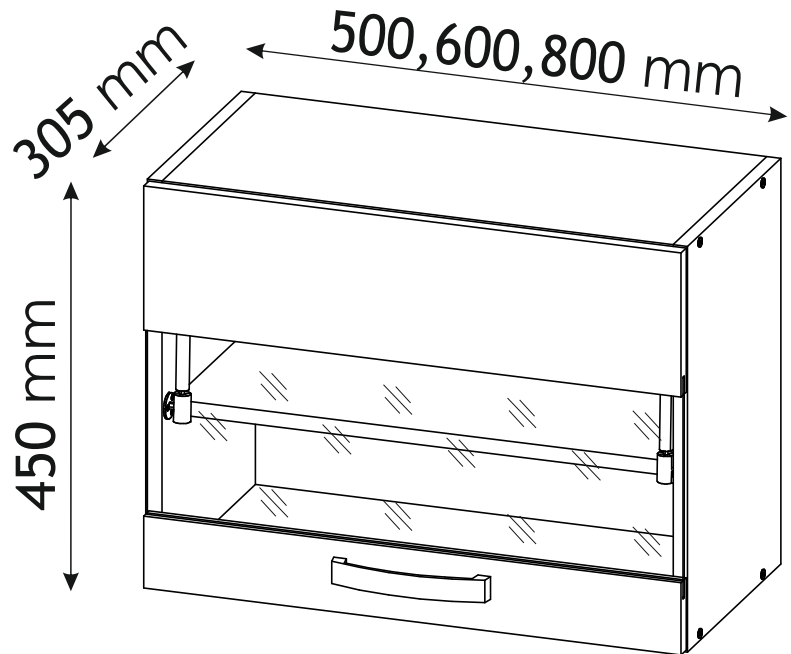
50,60,80 UC / 450
50,60,80 UDC / 450



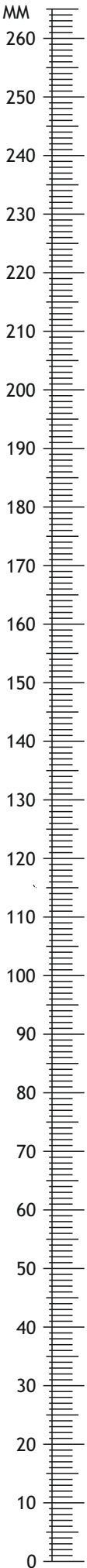
A


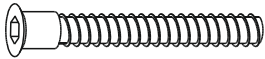



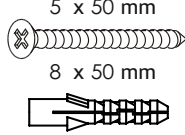

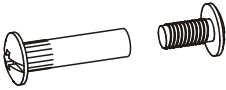

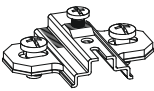
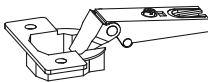
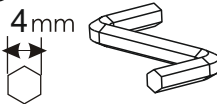
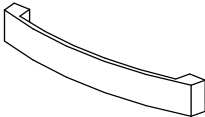
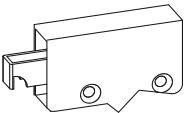

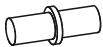



B



CHARLOTTE 50,60,80 UC / 450 50,60,80 UDC / 450

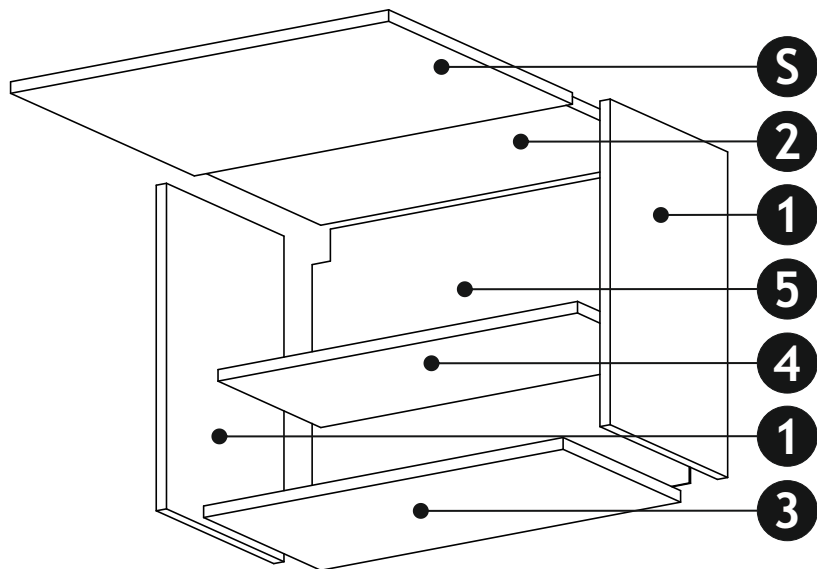


A0 8 x 32mm x4 	B1 f 7 x 50 mm x8 	B0 x4 
D10 4 x 16 mm x4 	D13 4 x 30 mm x4 	E0 5 x 50 mm x4 8 x 50 mm 
F1 x2 	H0 x2 	H2 4 x 22 mm x2 
J6 x2 	J8 x2 	K x1 4mm 
L22 x1 	P4 x2 	P5 x2 
Q0 x4 	T8 x25 	


CHARLOTTE

50,60,80 UC / 450

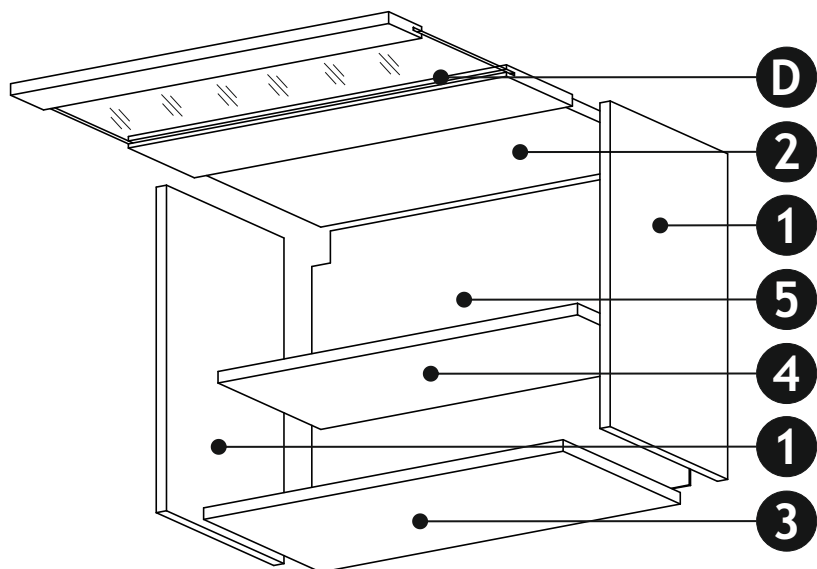
50,60,80 UDC / 450




500

①	450	285	16	x2	1/1
②	467	285	16	x1	1/1
③	467	285	16	x1	1/1
④	466	250	16	x1	1/1
					1/1

⑤	495	445	2.5	x1	1/1
D S	497	446	16	x1	1/1




600

①	450	285	16	x2	1/1
②	567	285	16	x1	1/1
③	567	285	16	x1	1/1
④	566	250	16	x1	1/1
					1/1

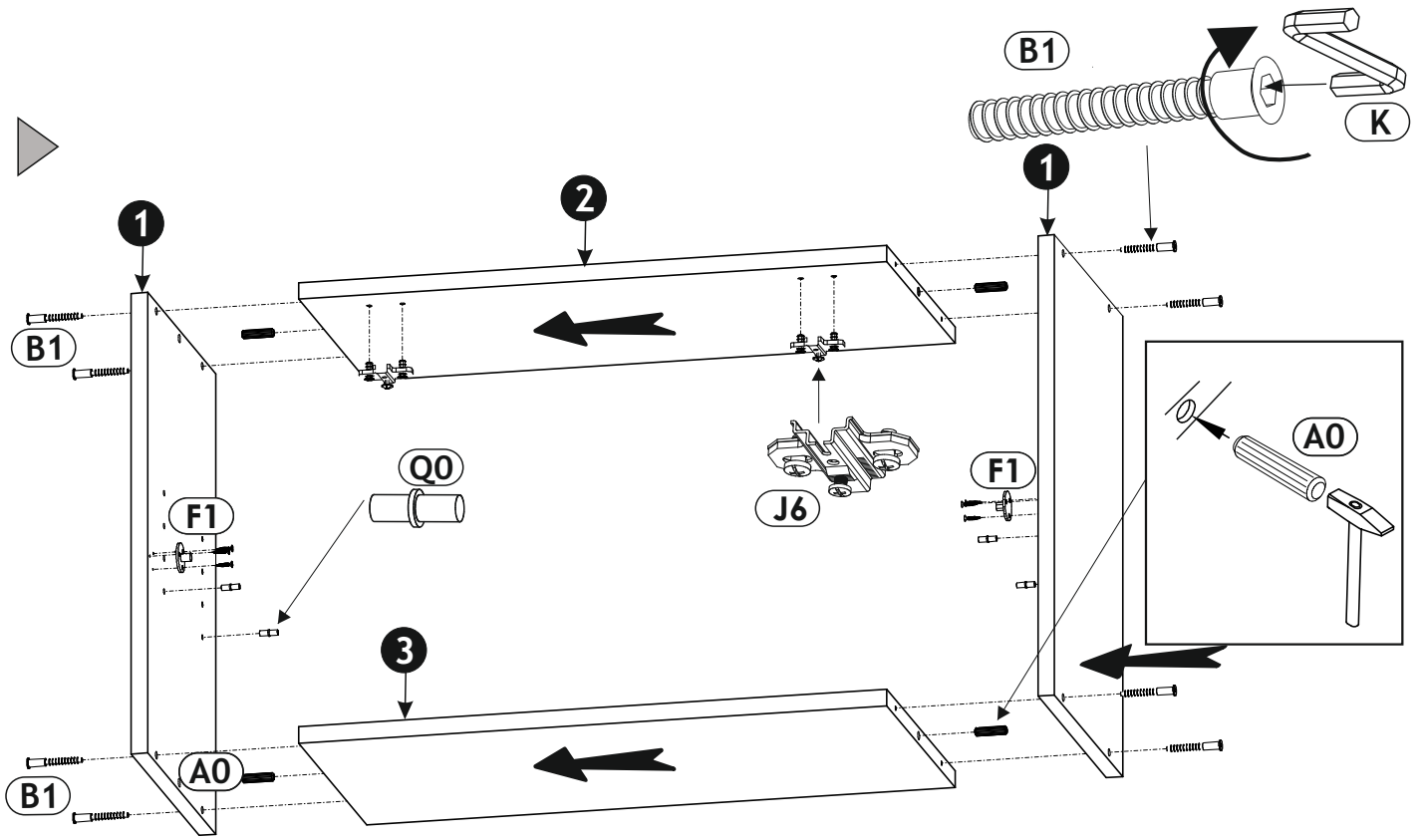
⑤	595	445	2.5	x1	1/1
D S	597	446	16	x1	1/1

800

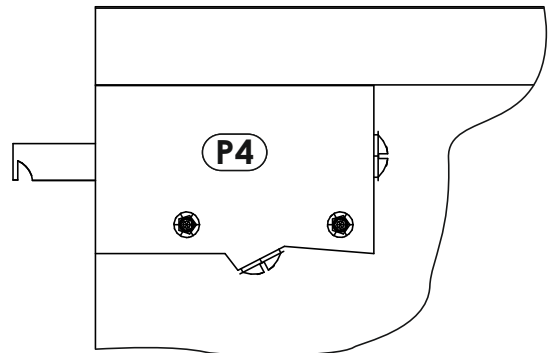
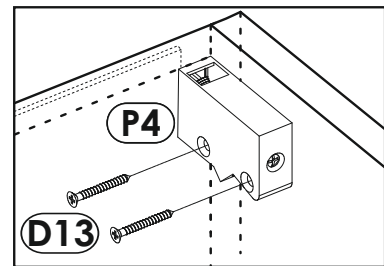
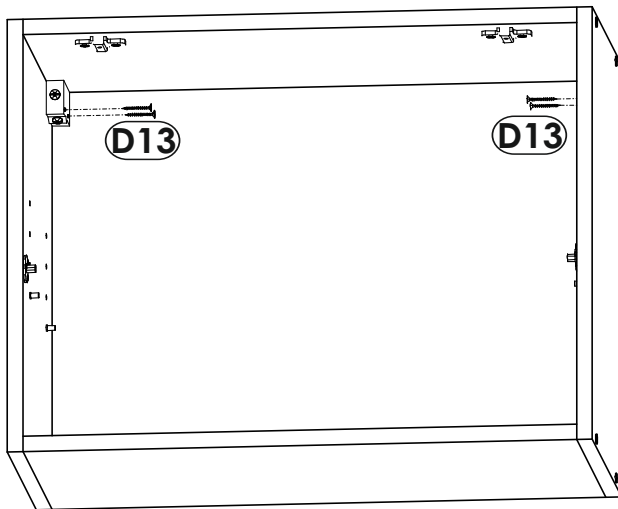
①	450	285	16	x2	1/1
②	767	285	16	x1	1/1
③	767	285	16	x1	1/1
④	766	250	16	x1	1/1
					1/1

⑤	795	445	2.5	x1	1/1
D S	797	446	16	x1	1/1

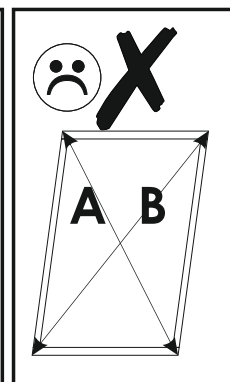
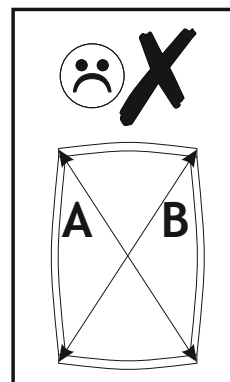
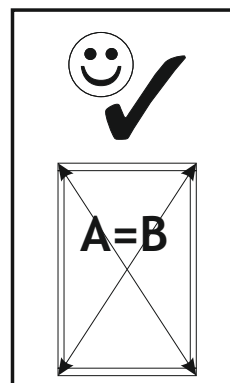
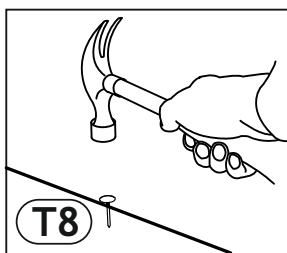
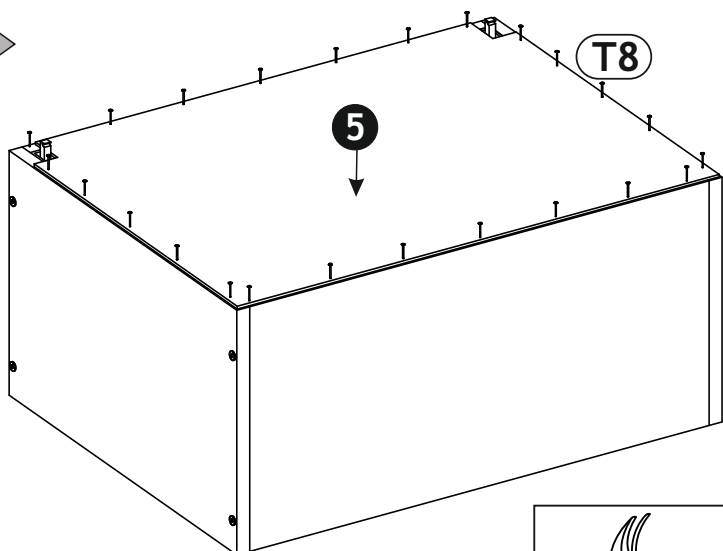
1 ▶



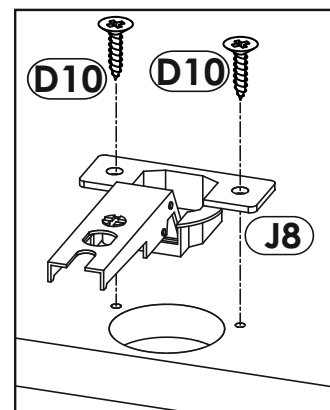
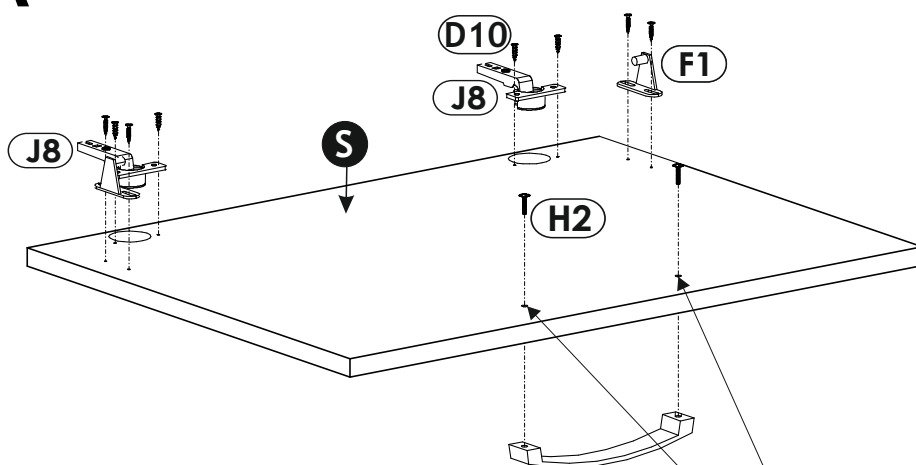
2 ▶



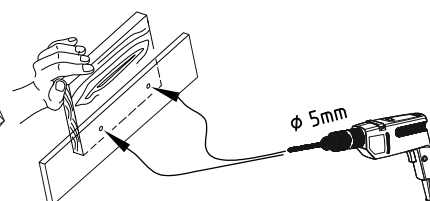
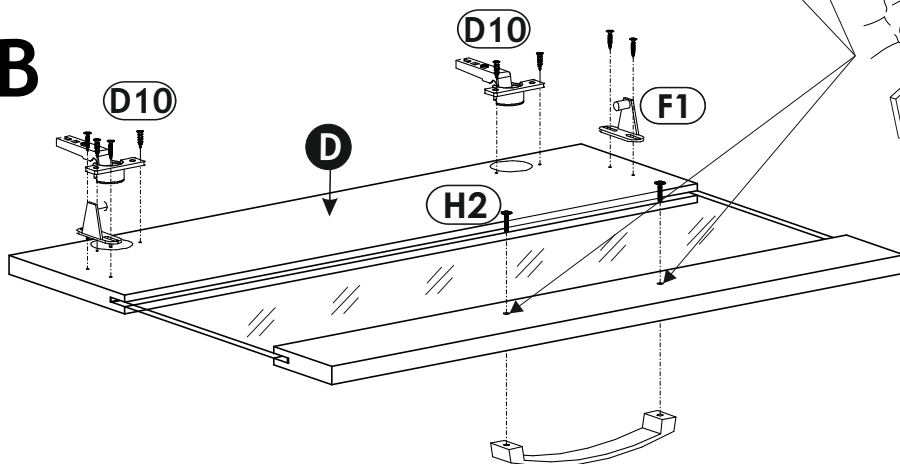
3 ▶



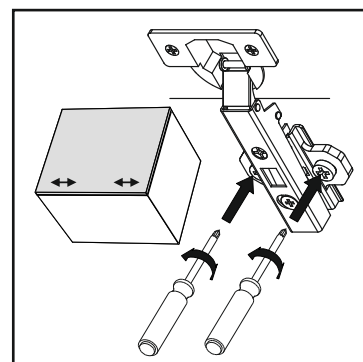
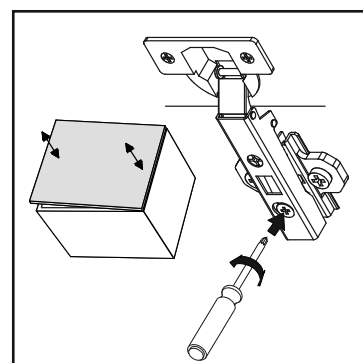
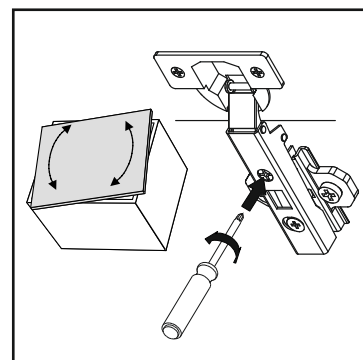
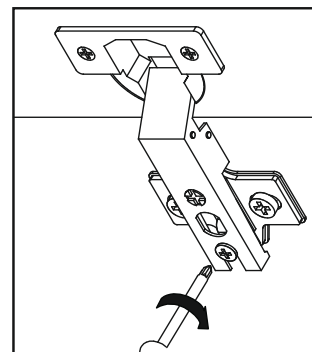
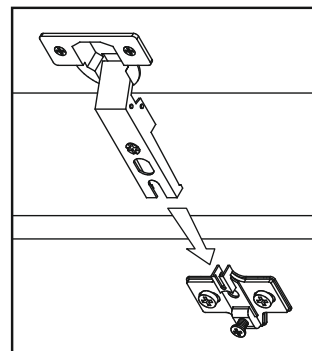
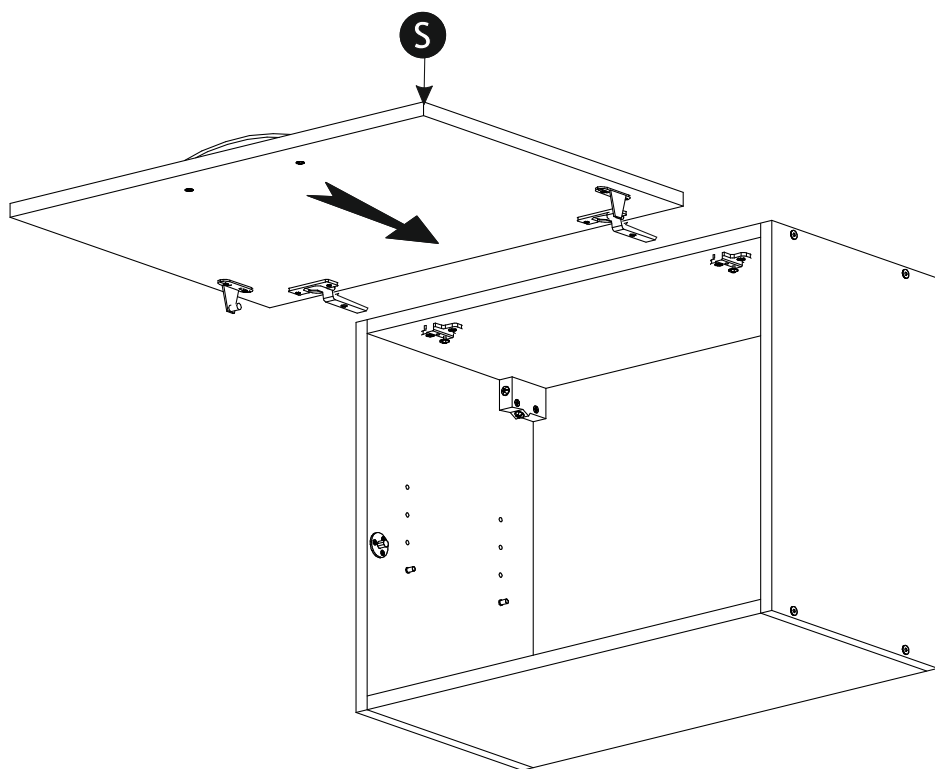
4 ▶ A



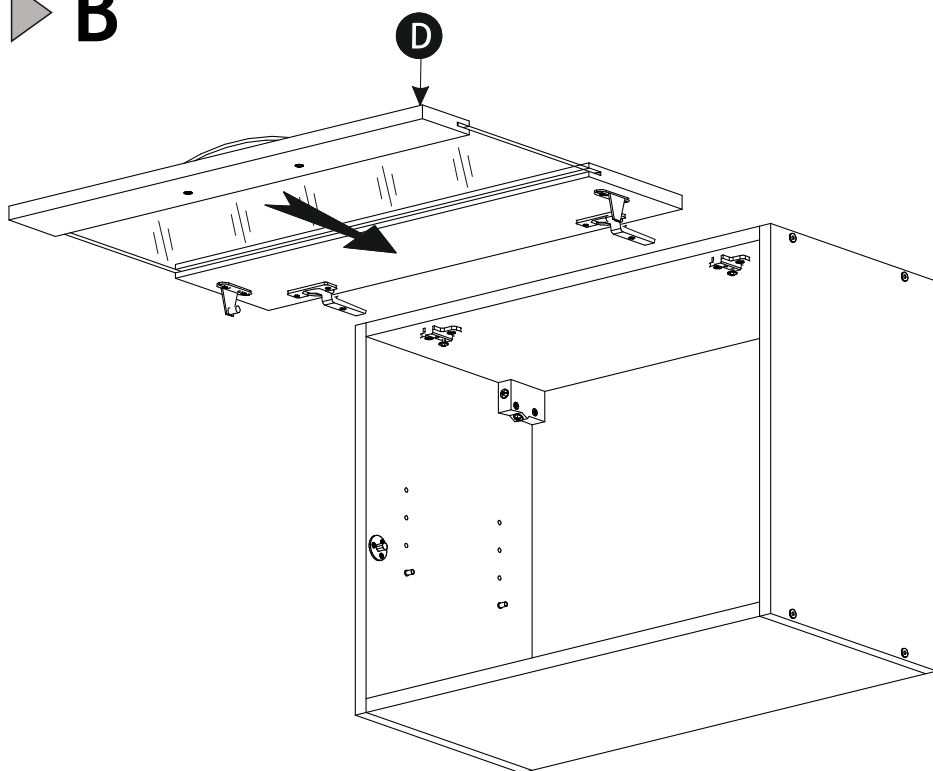
4 ▶ B



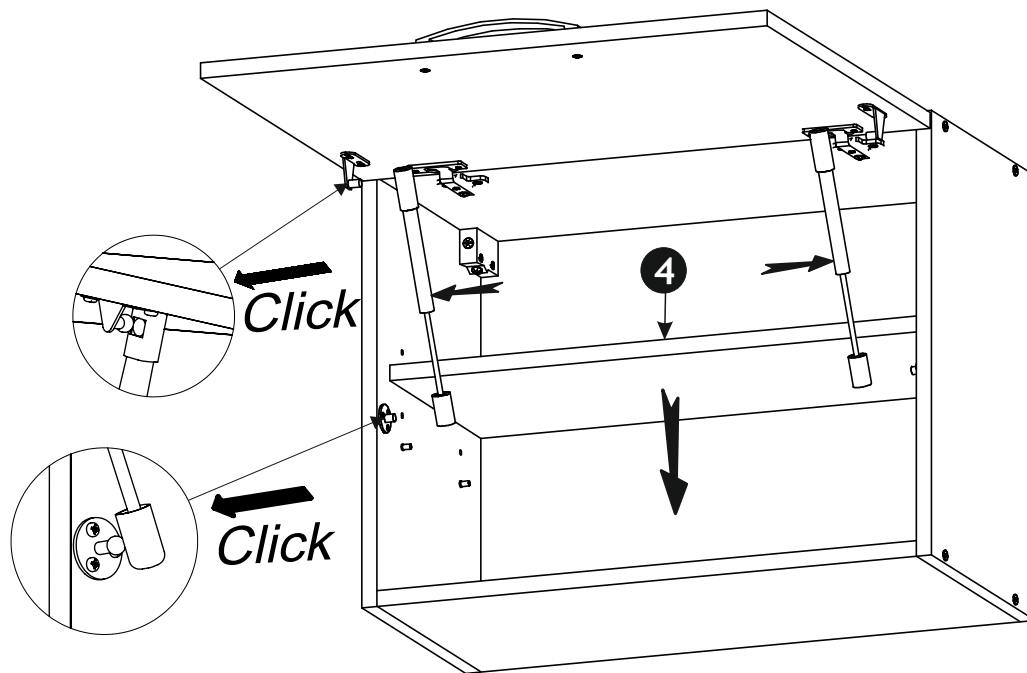
5 ▶ A



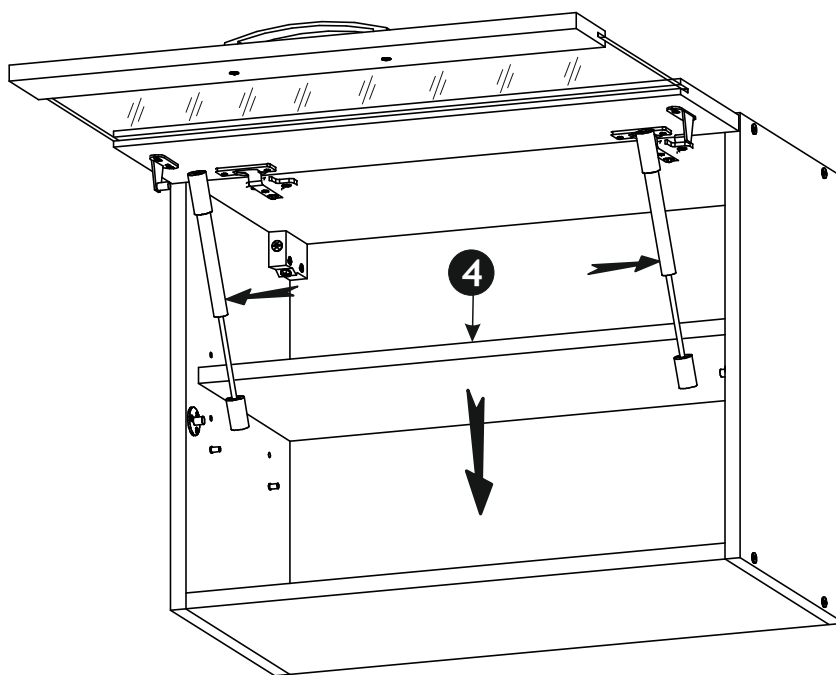
5 ▶ B



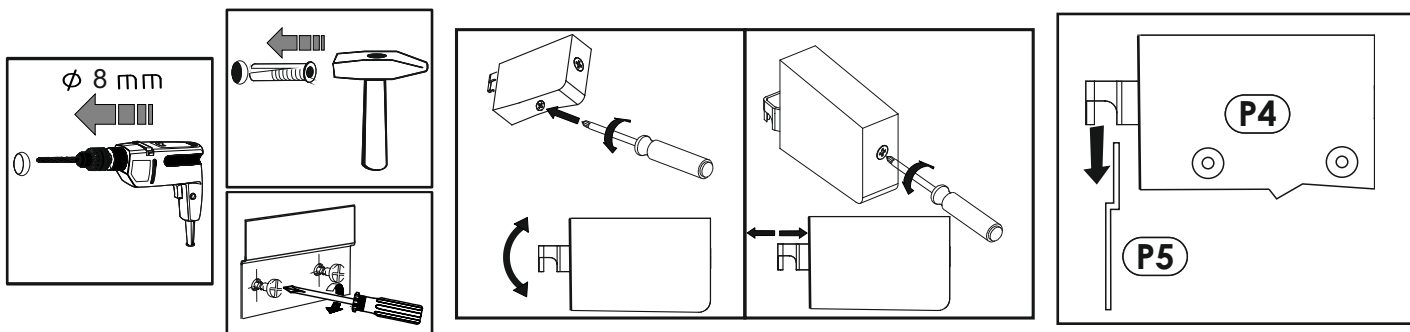
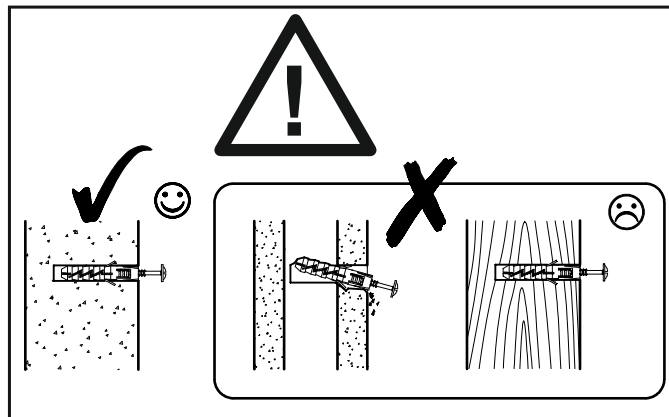
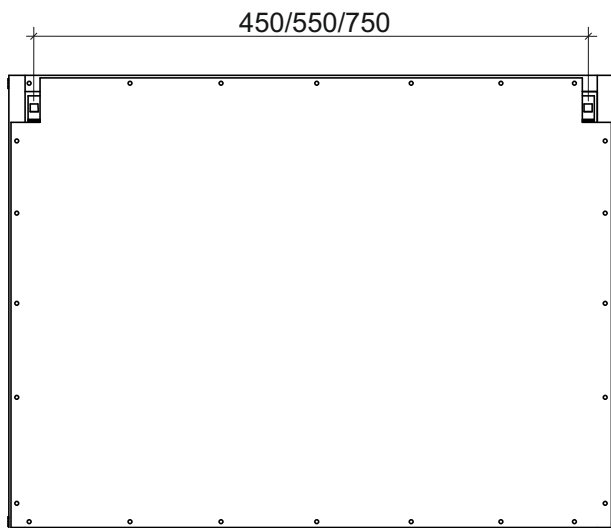
6 ▶ A



6 ▶ B



7



8

