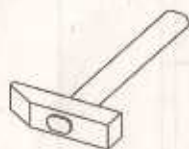
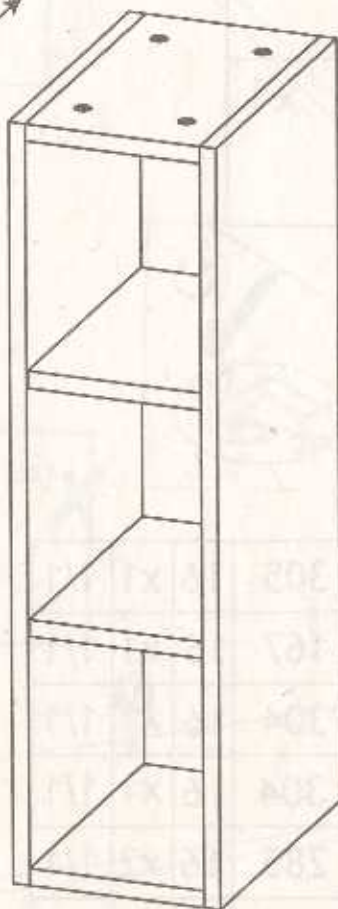


CHARLOTTE 20 UC

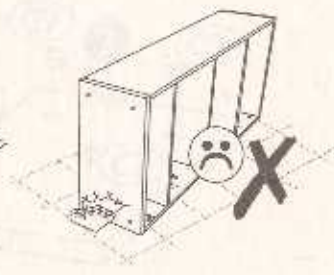
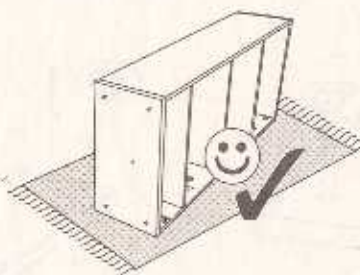
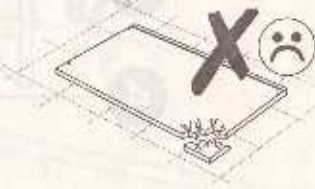
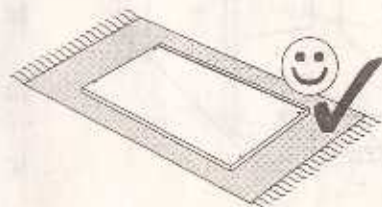


200 mm

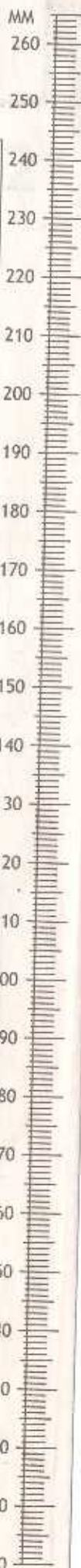
305 mm

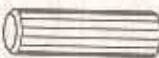


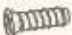
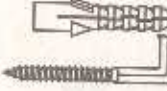
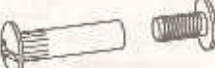



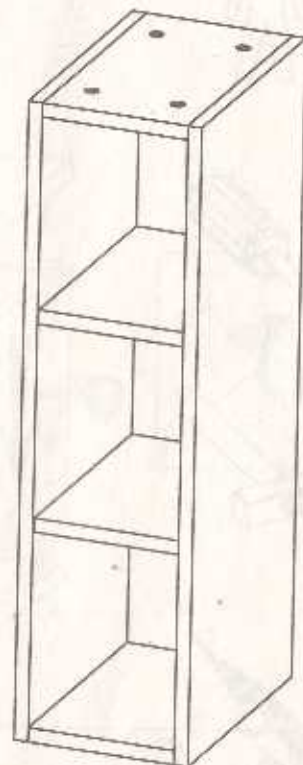
718 mm




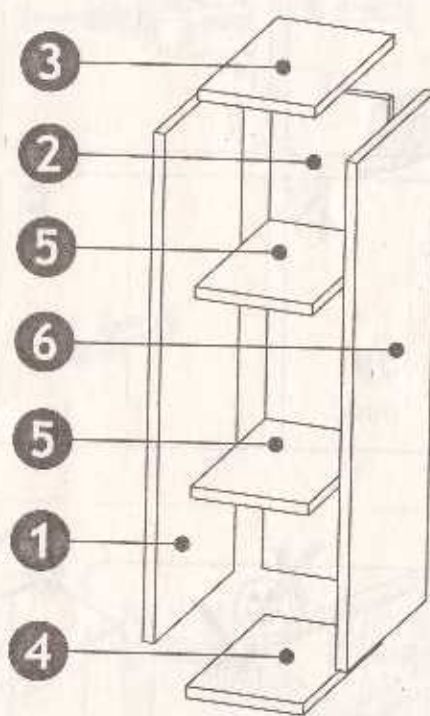
CHARLOTTE 20 UC

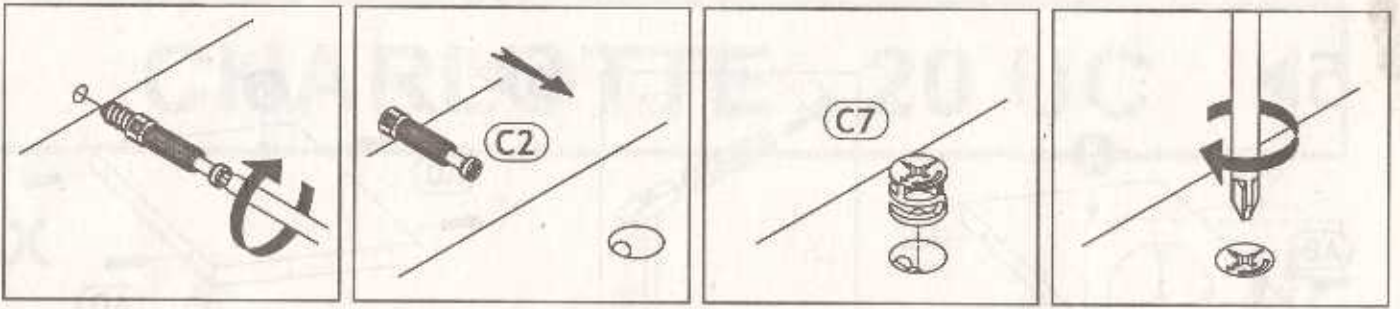


(A0) 8 x 32mm  x12	(C2)  x8	(C7) 16 mm  x8
(D22) 5 x 11 mm  x2	(E1) 8 x 50 mm  x1	
(H0)  x2		
(P1)  x1		

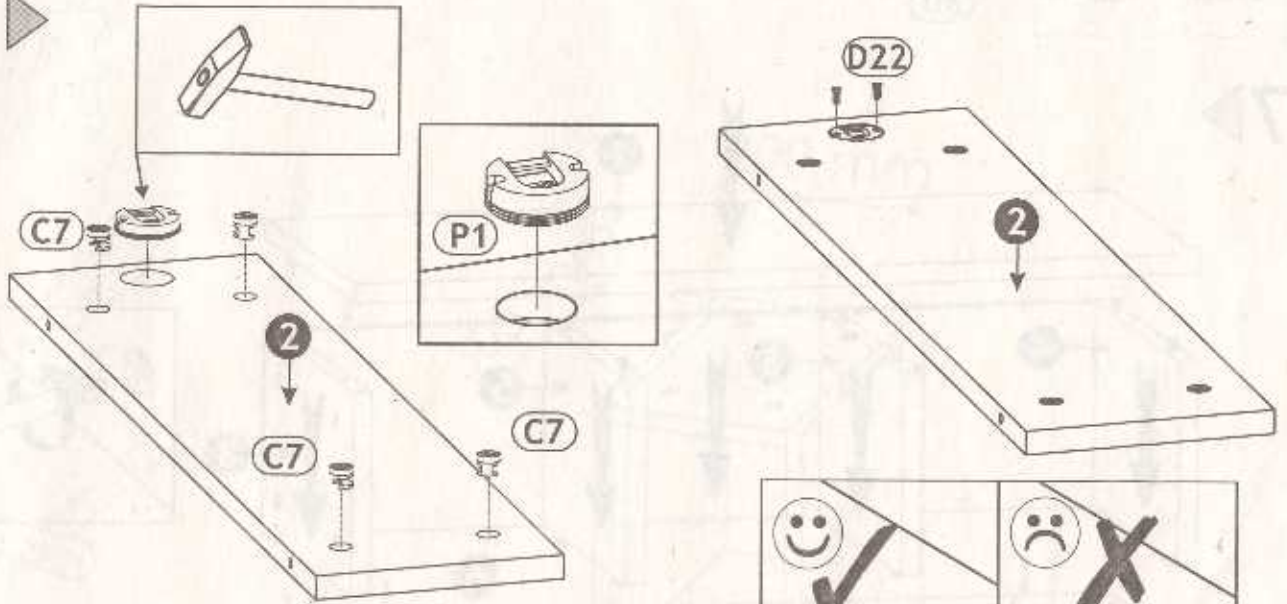


1	718	305	16	x1	1/1
2	689	167	16	x1	1/1
3	167	304	16	x1	1/1
4	167	304	16	x1	1/1
5	167	285	16	x2	1/1
6	718	305	16	x1	1/1
					1/1

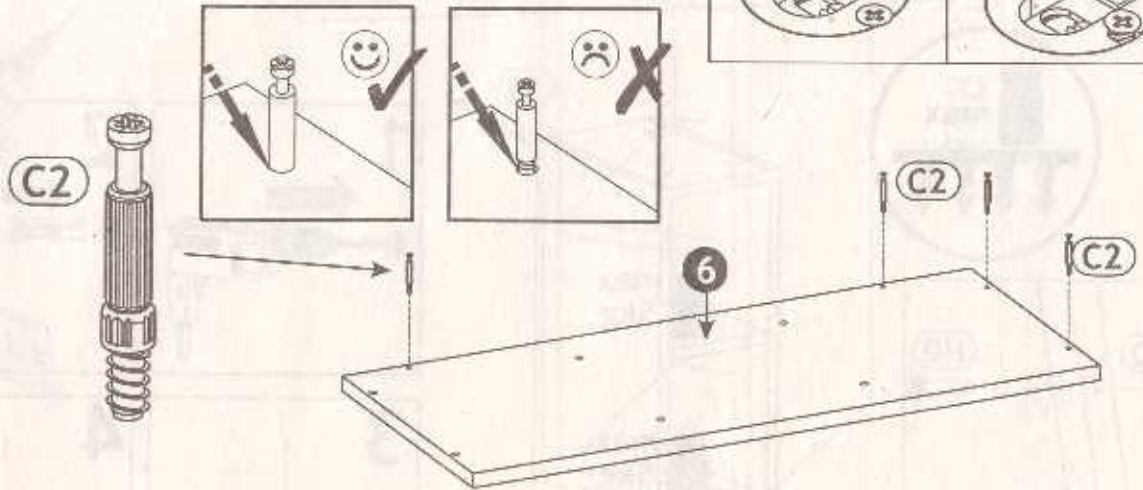




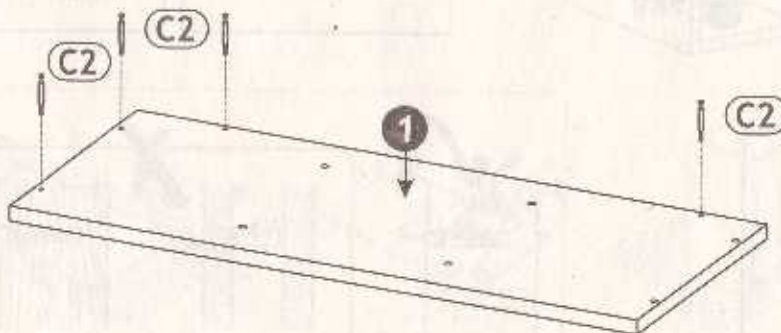
1 ▶



2 ▶



3 ▶



4 ▶

