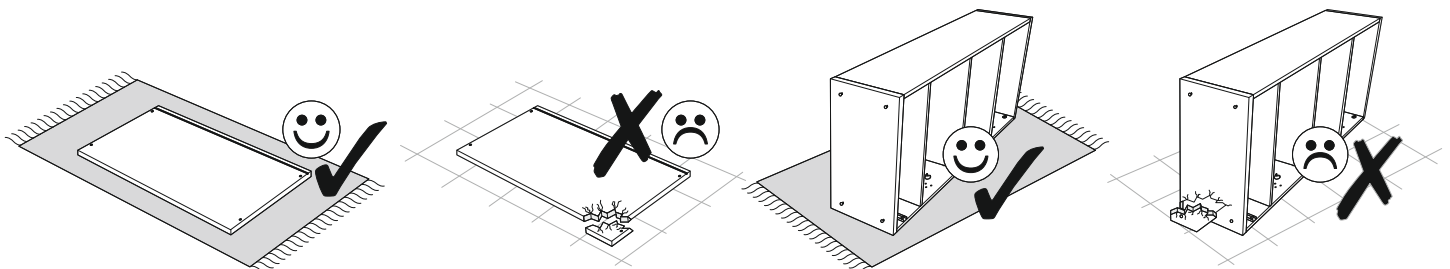
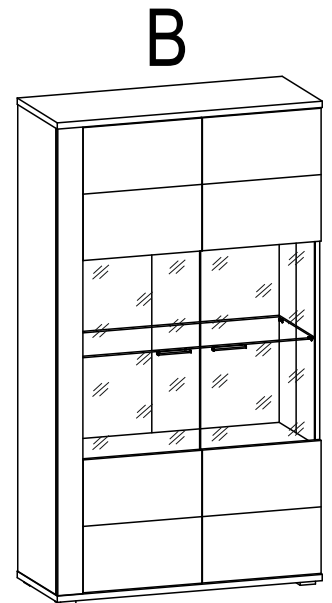
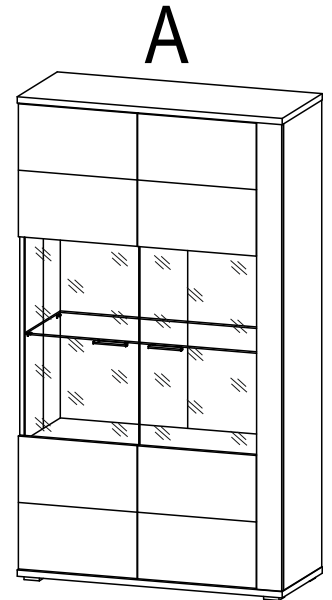
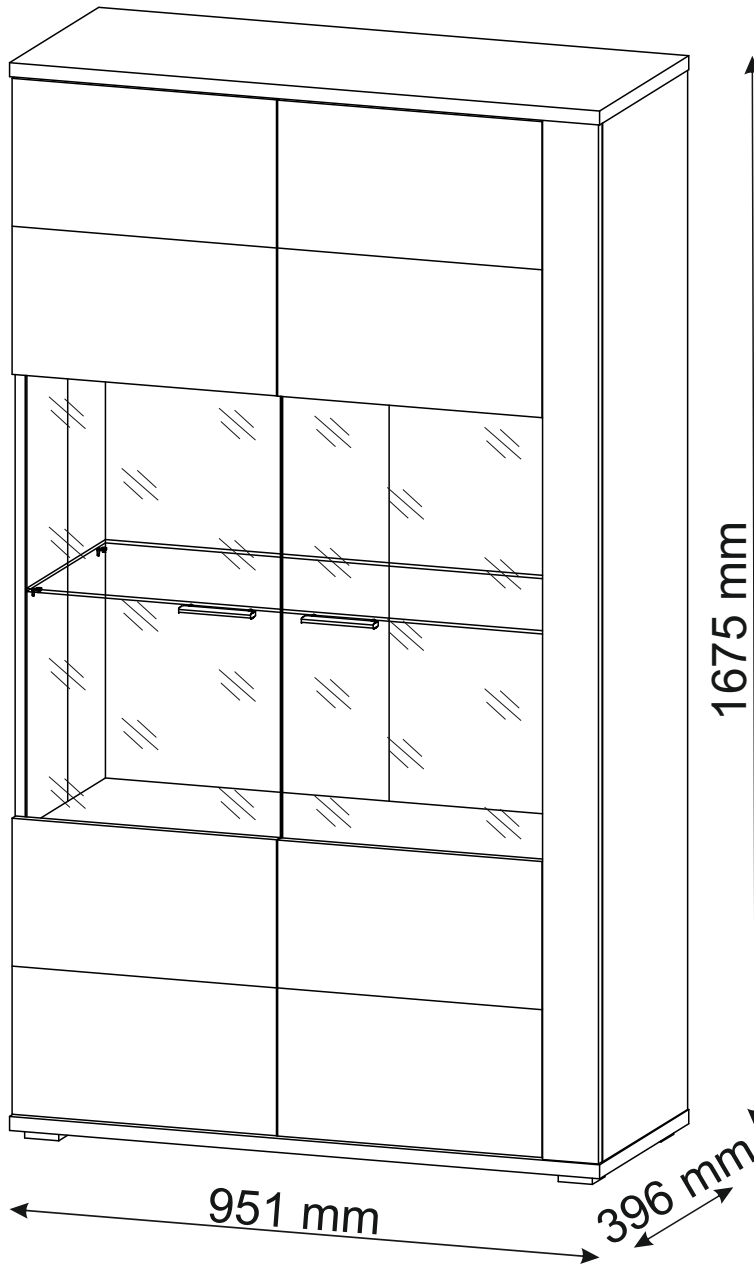
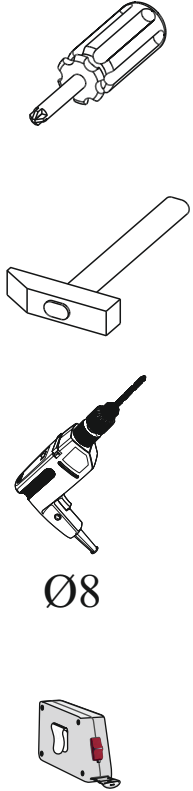
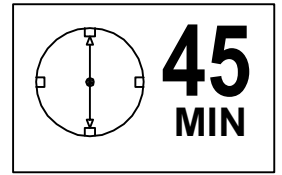
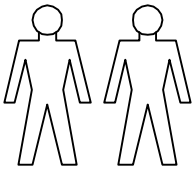








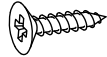


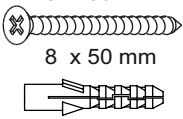
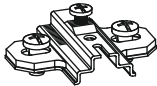

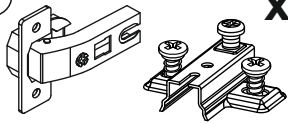

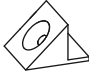

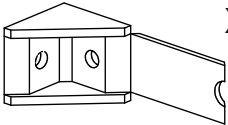
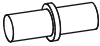

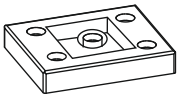

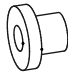



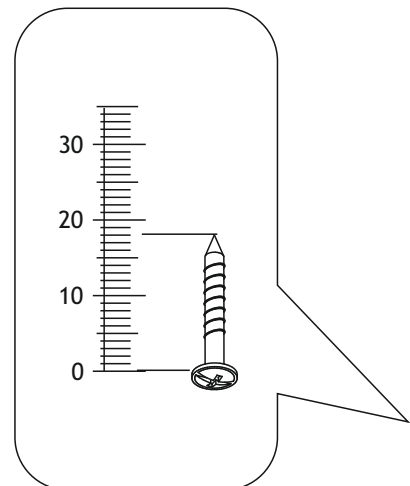
ADEL TALL CABINET 2D



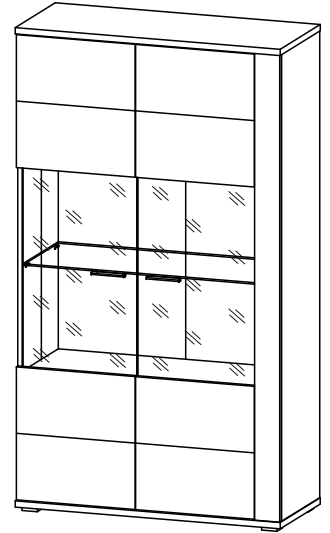
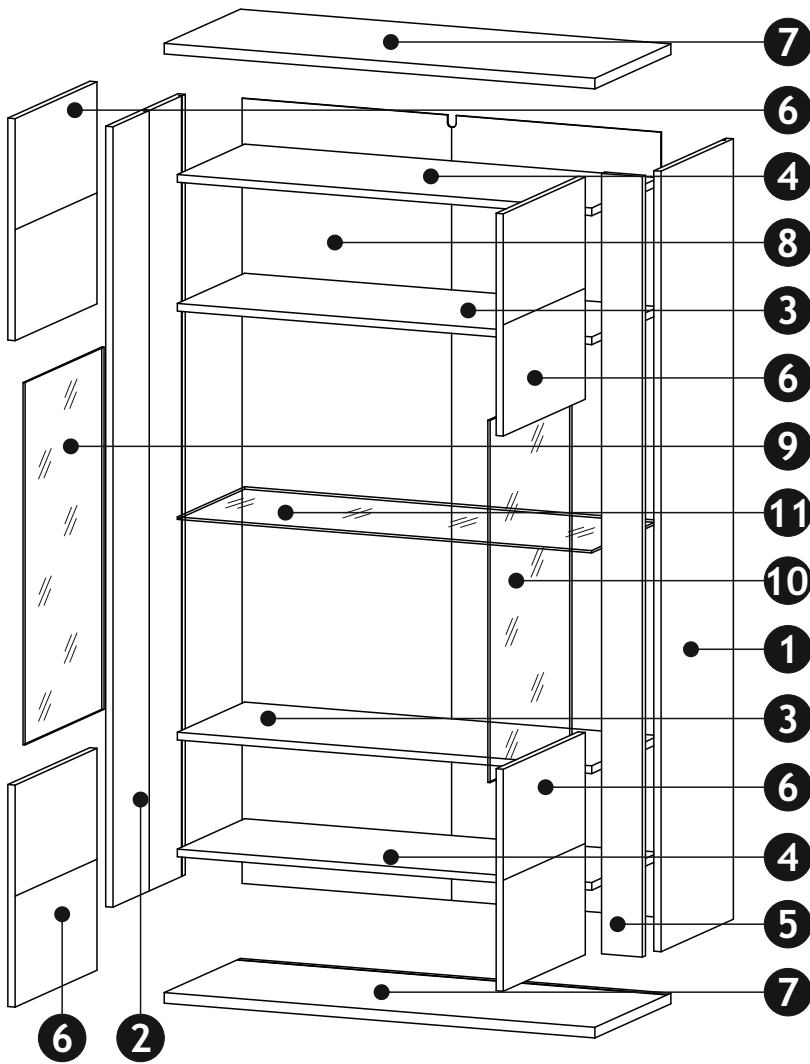
ADEL TALL CABINET 2D


MM

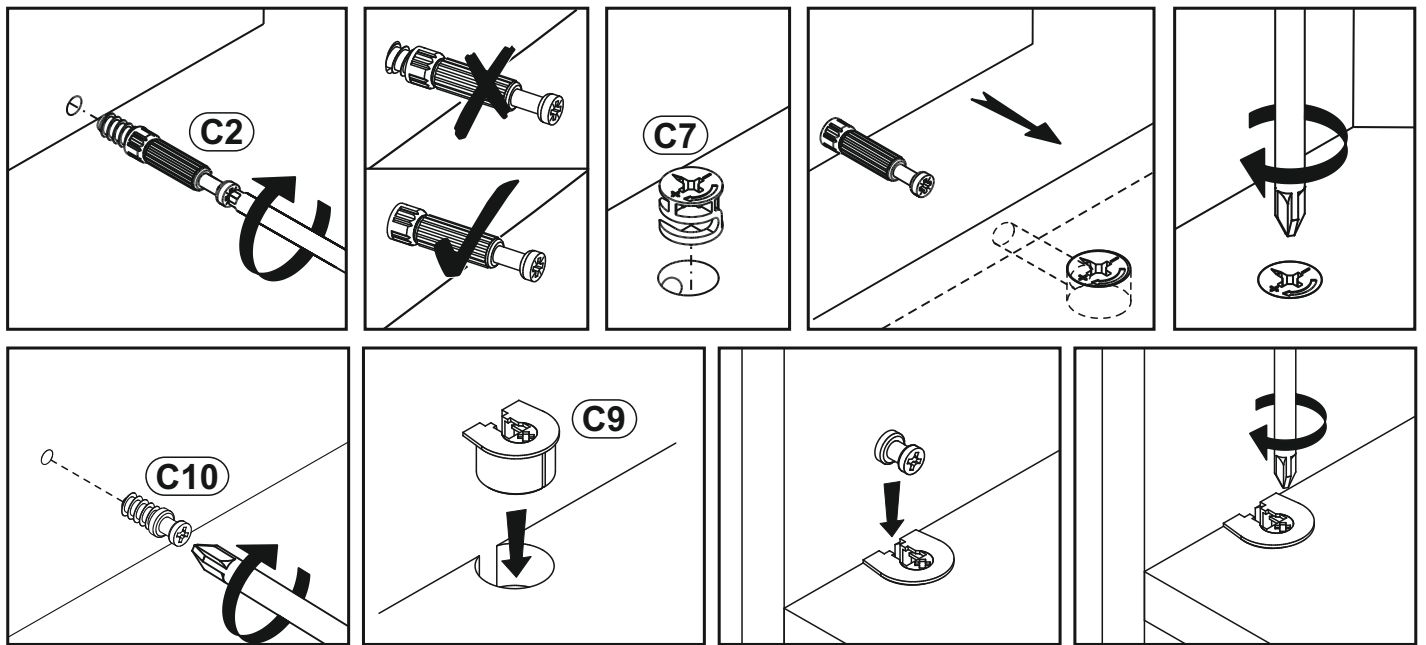
A0 8 x 30mm x8 	C0  x2 x10	C2  x12
C7 16mm  x12	C9  x8	C10 6,3 x 20 mm  x8
D0 3 x 15 mm  x16	D4 3,5 x 18 mm  x12	D10 4 x 16 mm  x22
D11 4 x 20 mm  x4	D12 4 x 25 mm  x16	E0 5 x 50 mm 8 x 50 mm  x1
J6  x4	J8  x4	J15  x4
L26  x2	M1  x16	P0  x1
P20  x2	Q0  x8	Q1  x4
T5  x4	U0  x8	U1  x16
U6  x12		






ADEL TALL CABINET 2D

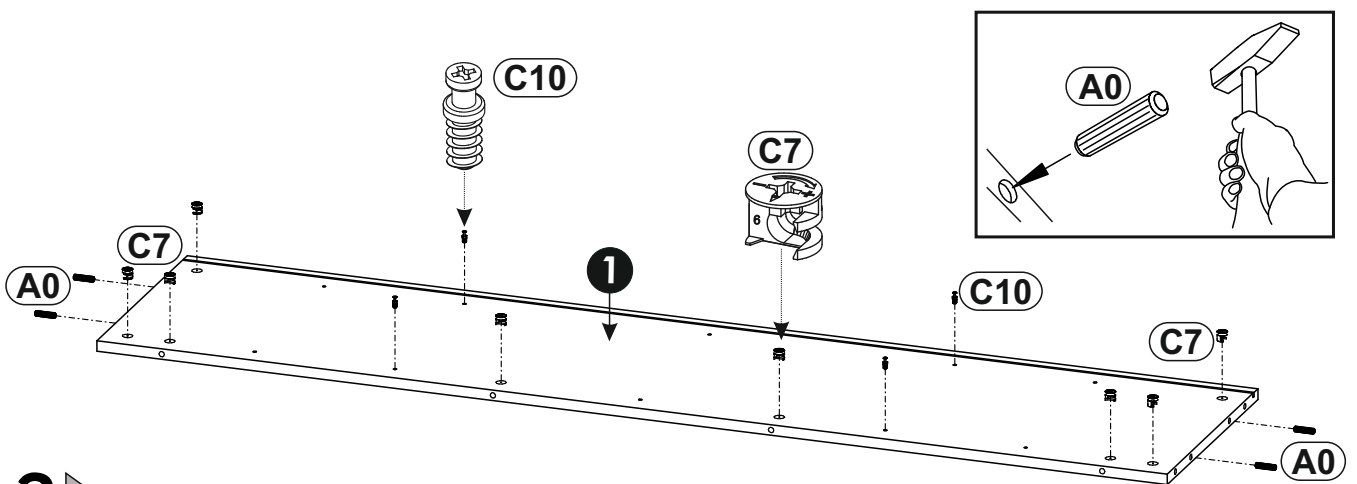


1	1616	376	16	x1	1/2
2	1616	376	16	x1	1/2
3	915	350	16	x2	2/2
4	915	355	16	x2	2/2
5	1616	90	16	x1	1/2
6	426	460	16	x4	1/2
7	951	396	22	x2	2/2
8	1626	925	3	x1	1/2
9	750	410	5	x1	1/2
10	750	426	5	x1	1/2
11	914	340	6	x1	2/2
					2/2






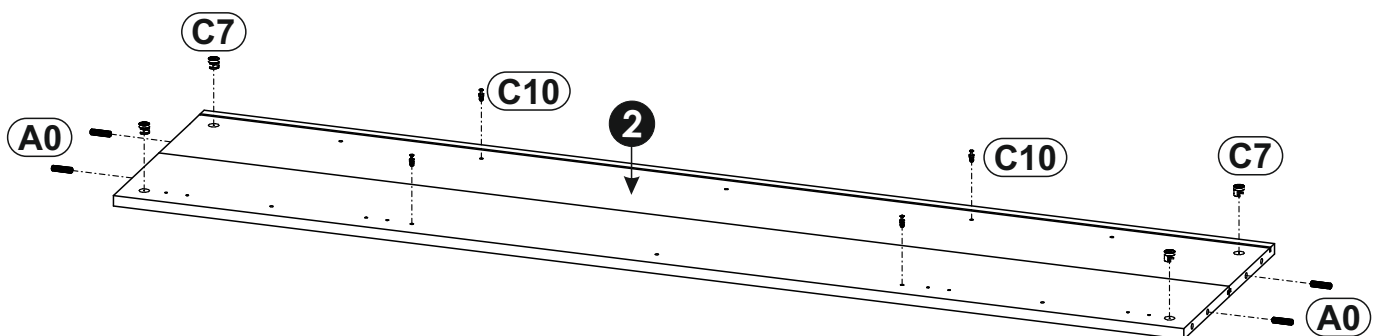
1 ▶

<p>A0 8 x 30mm x4</p> 	<p>C7 16mm x8</p> 	<p>C10 6,3 x 20 mm x4</p> 
---	---	---

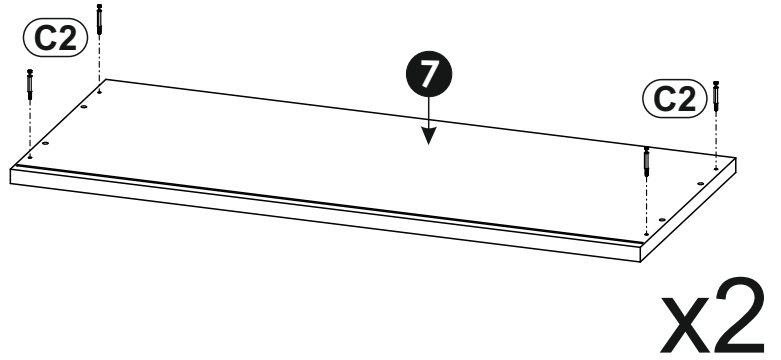
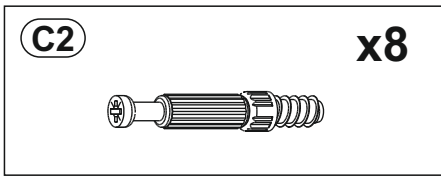


2 ▶

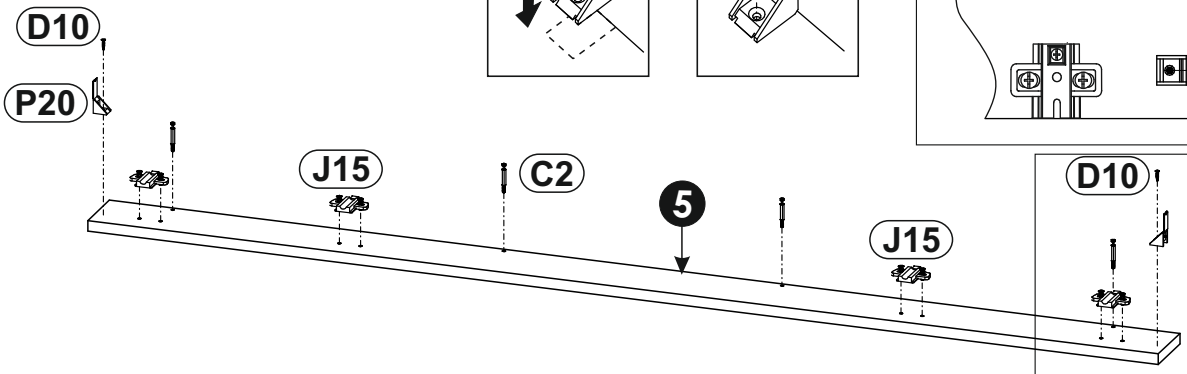
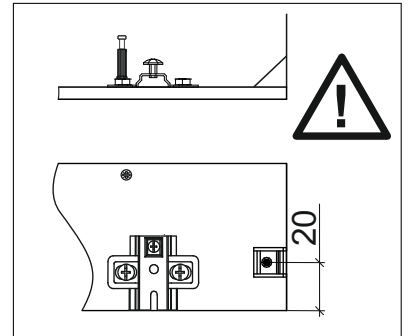
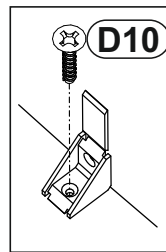
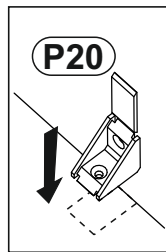
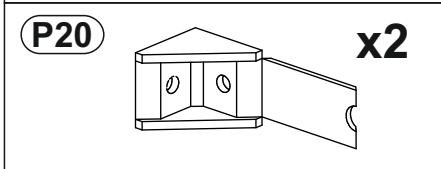
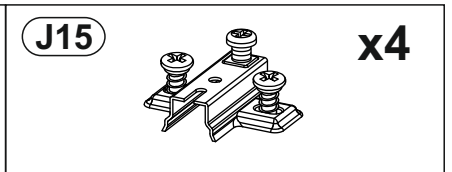
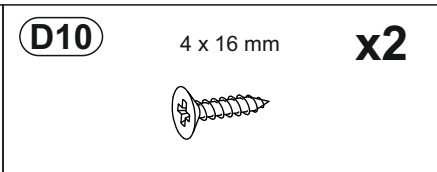
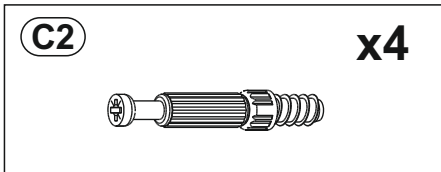
<p>A0 8 x 30mm x4</p> 	<p>C7 16mm x4</p> 	<p>C10 6,3 x 20 mm x4</p> 
---	---	---



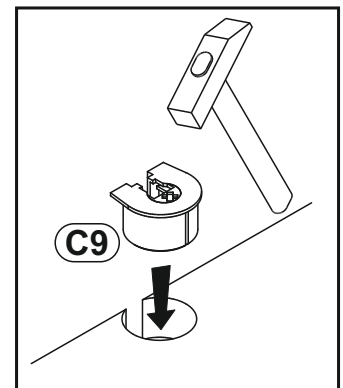
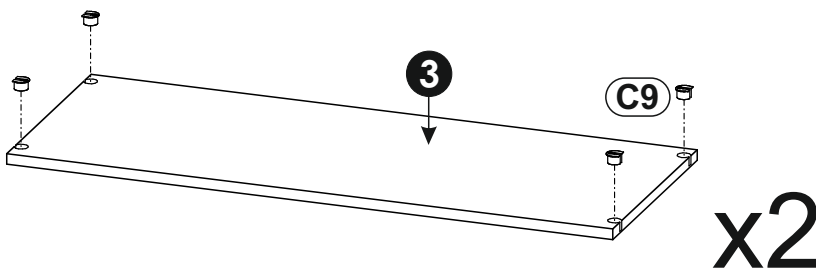
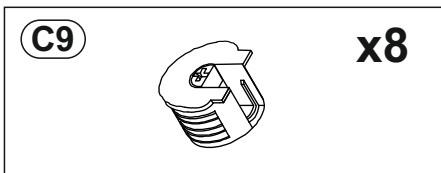
3 ▶



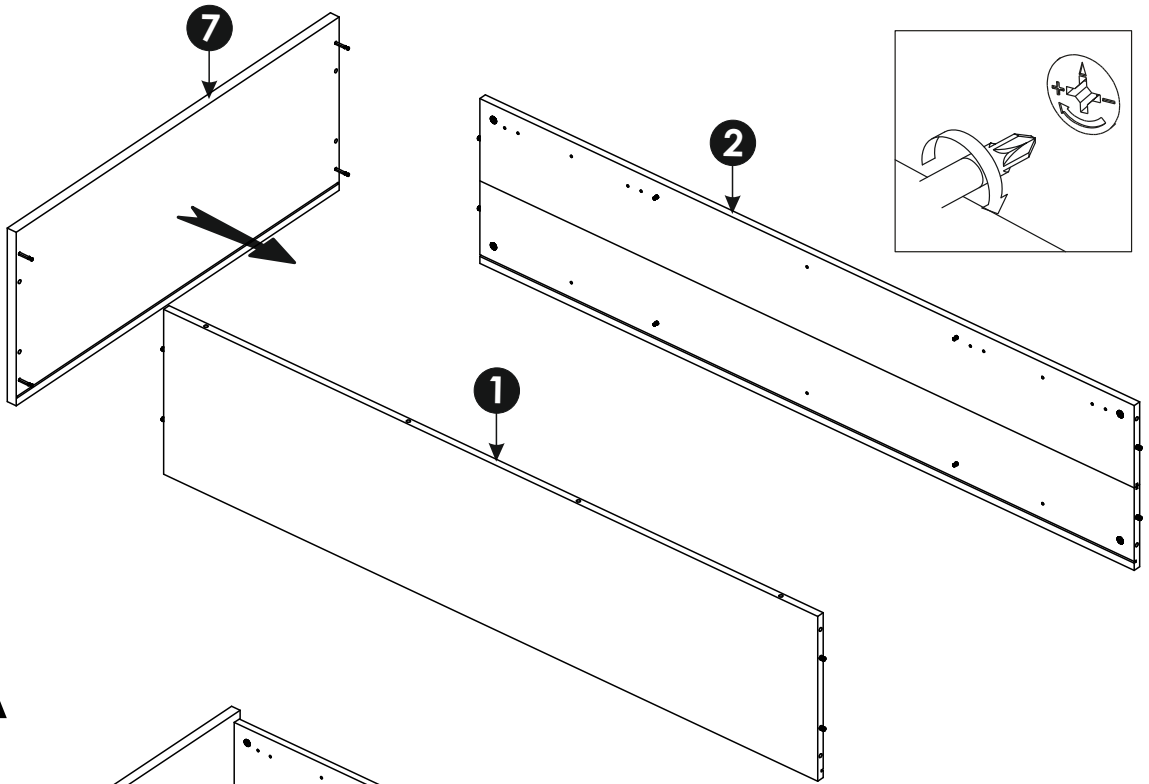
4 ▶



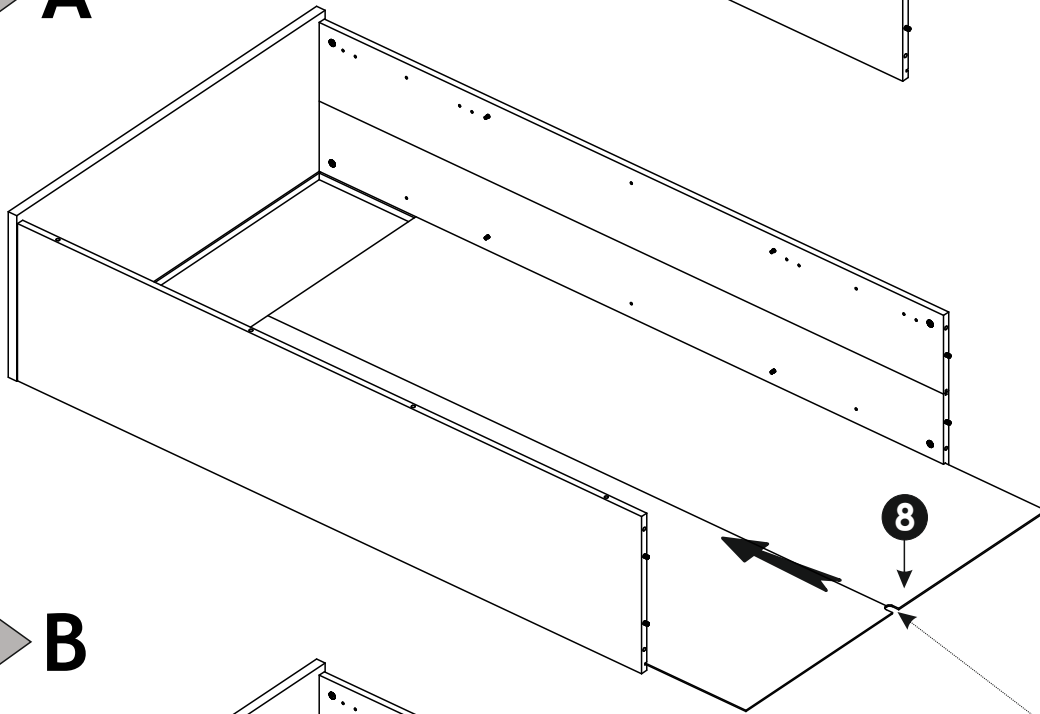
5 ▶



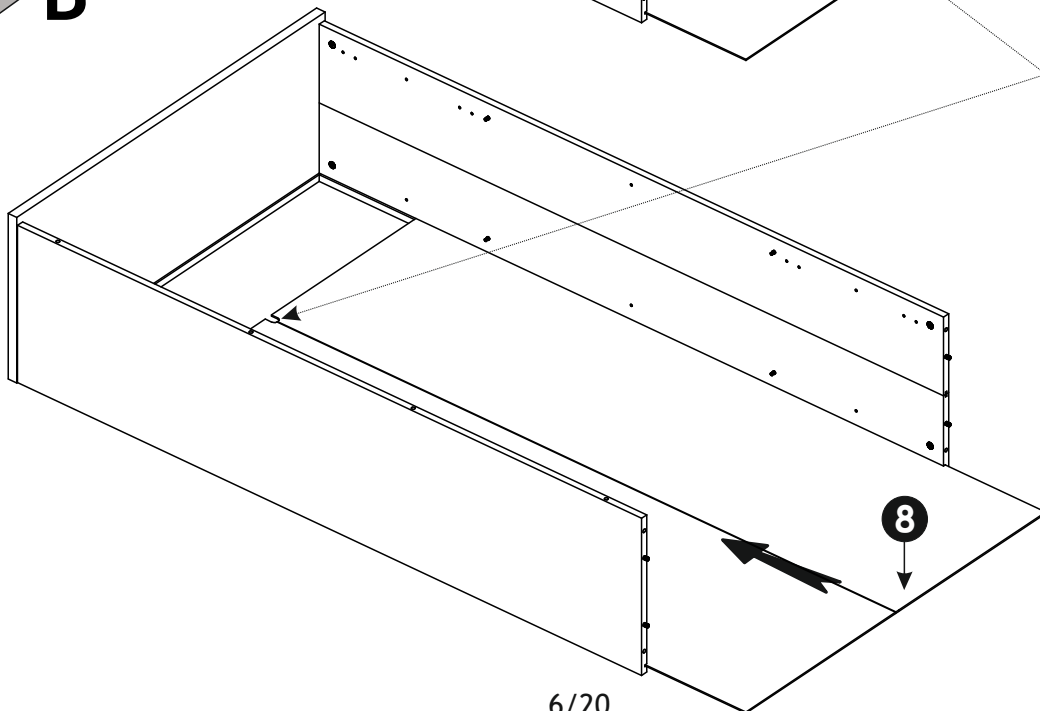
6 ▶



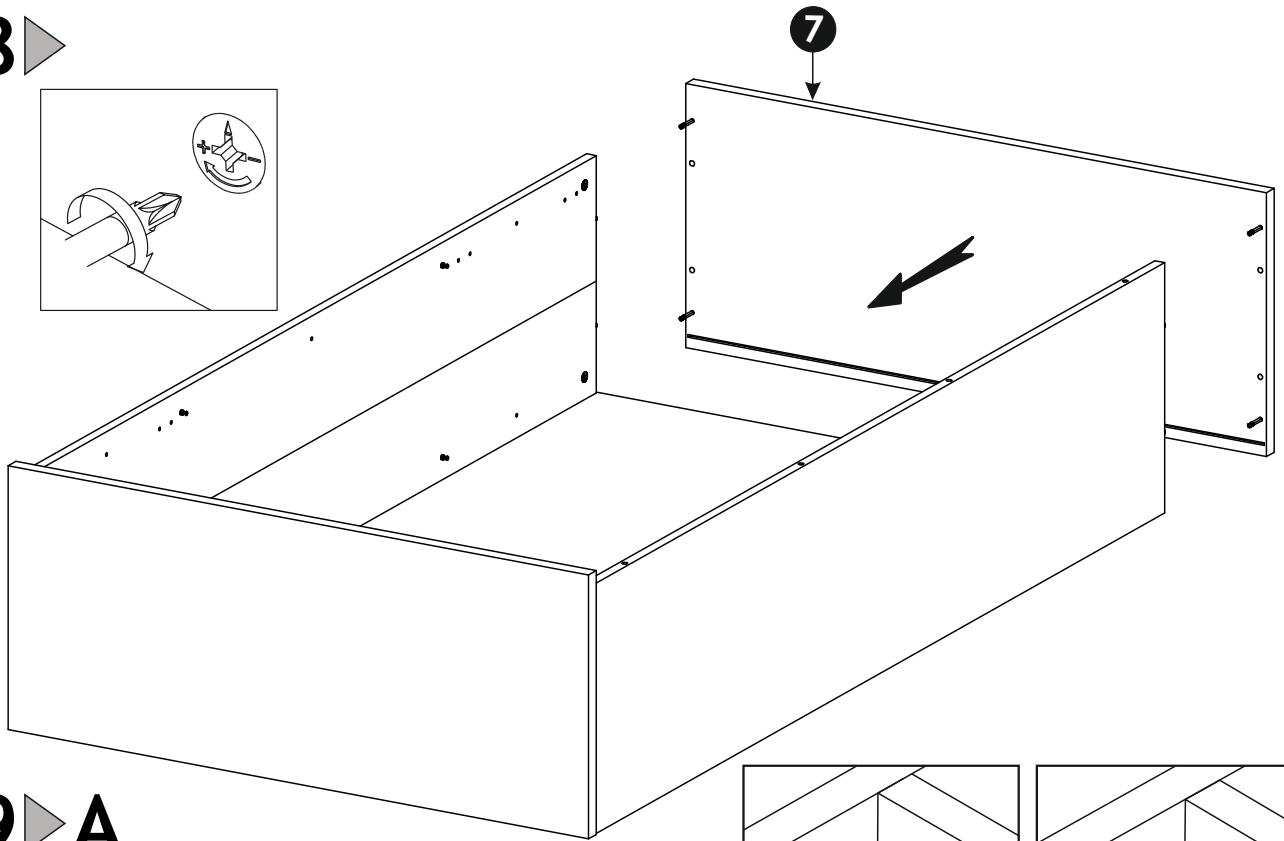
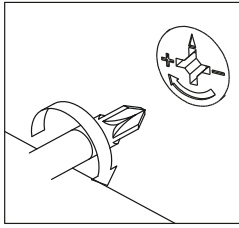
7 ▶ A



7 ▶ B

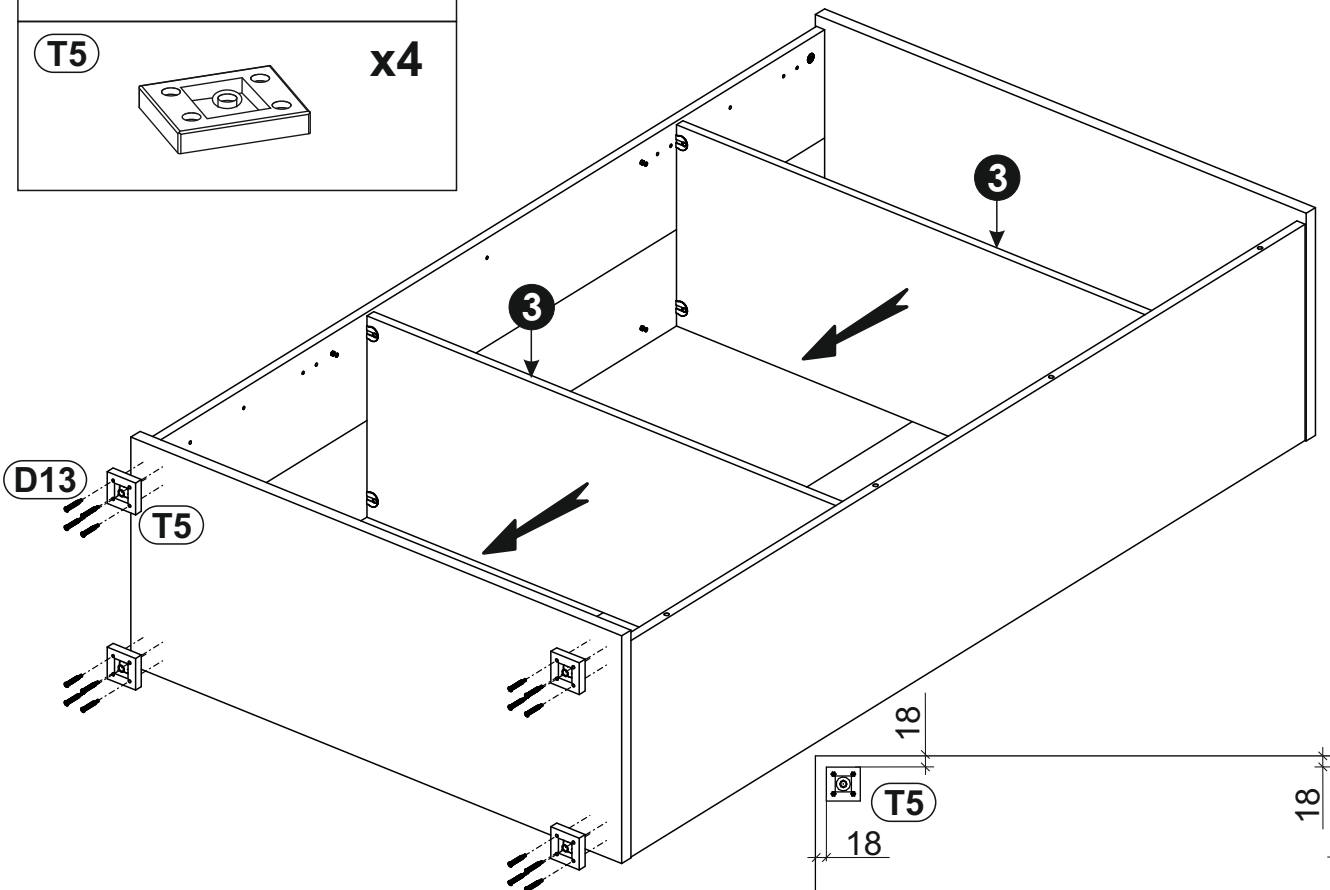
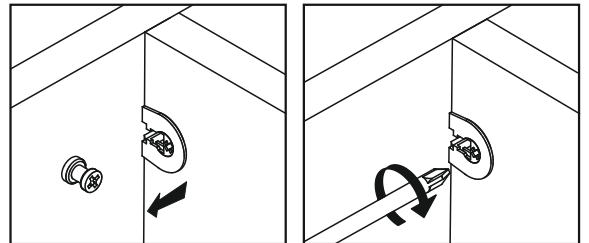


8 ▶

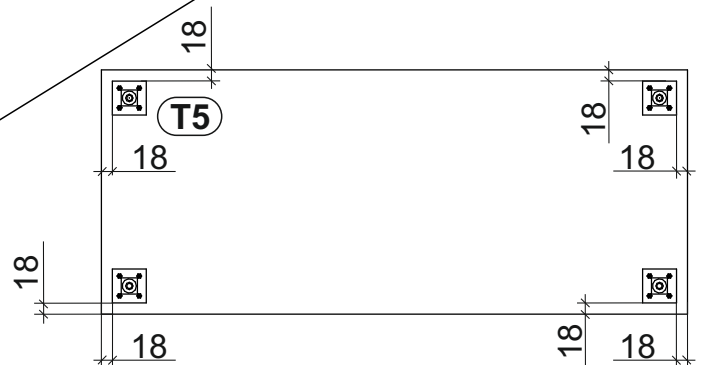


9 ▶ A


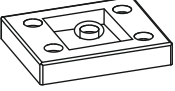
D12	4 x 25 mm	x16
T5		x4

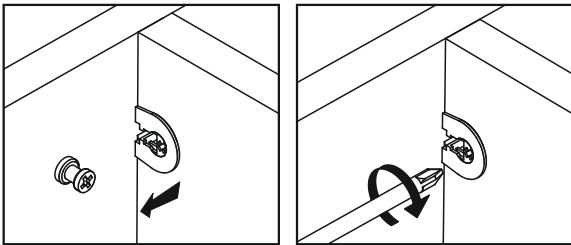
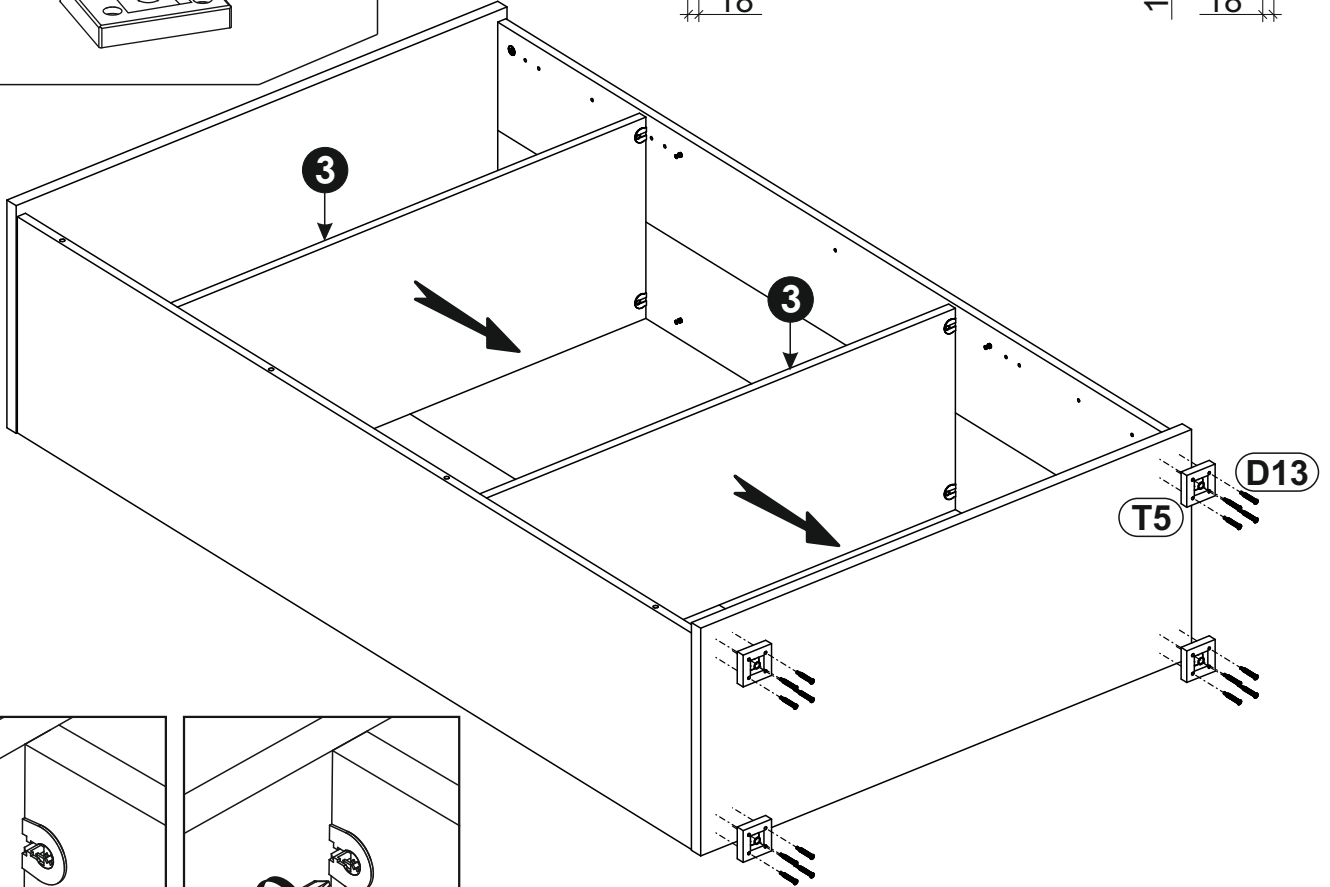
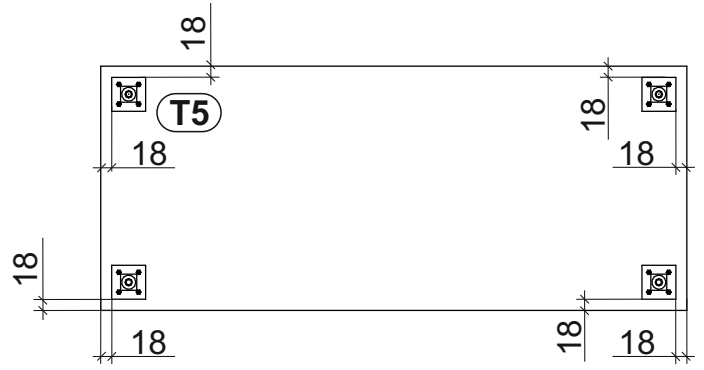


7/20

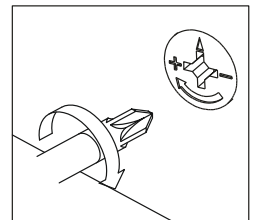
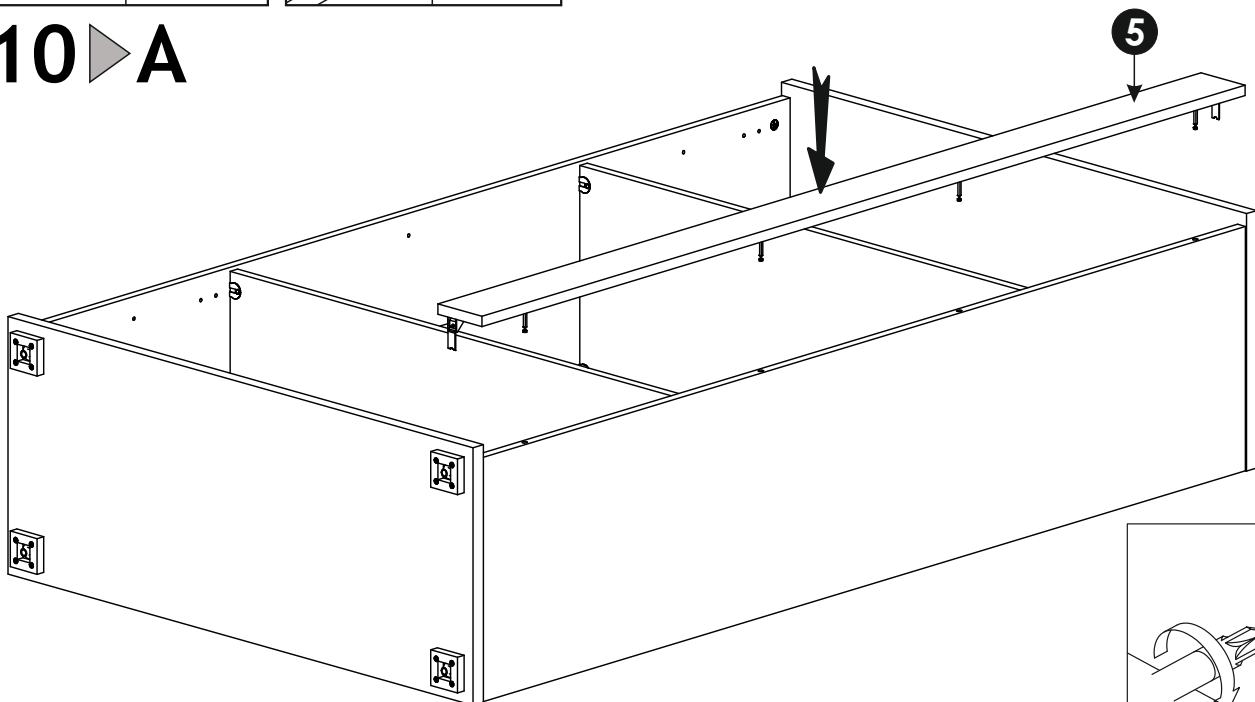


9 ▶ B

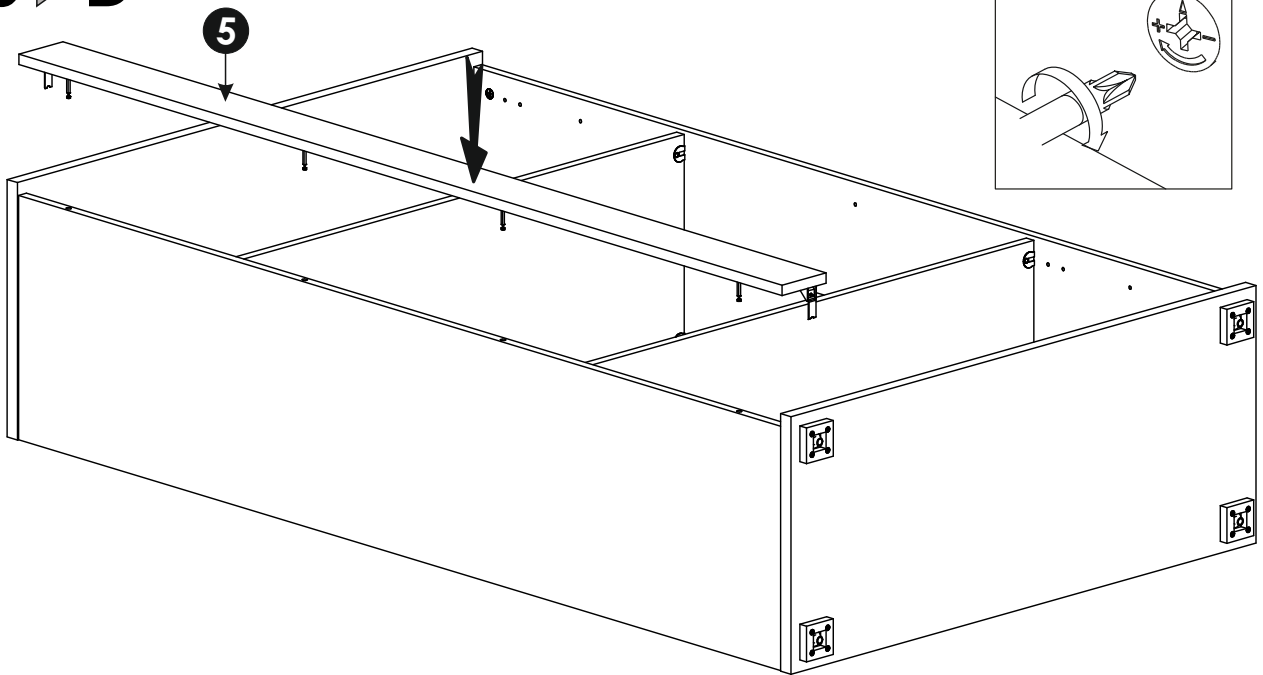
D12	4 x 25 mm	x16
		
T5		x4
		



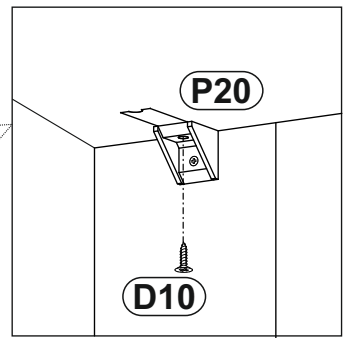
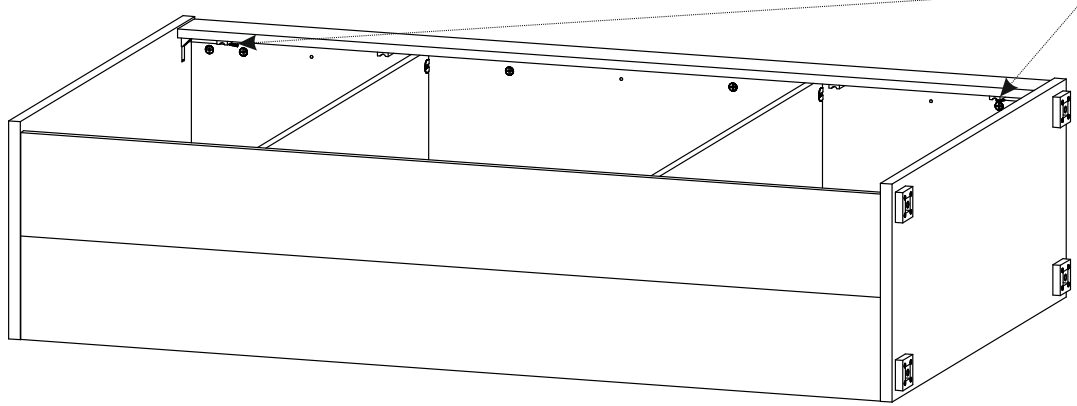
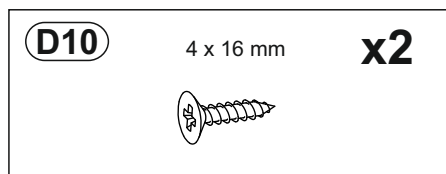
10 ▶ A



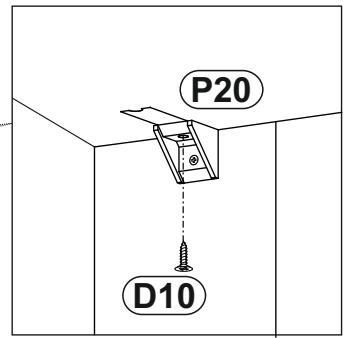
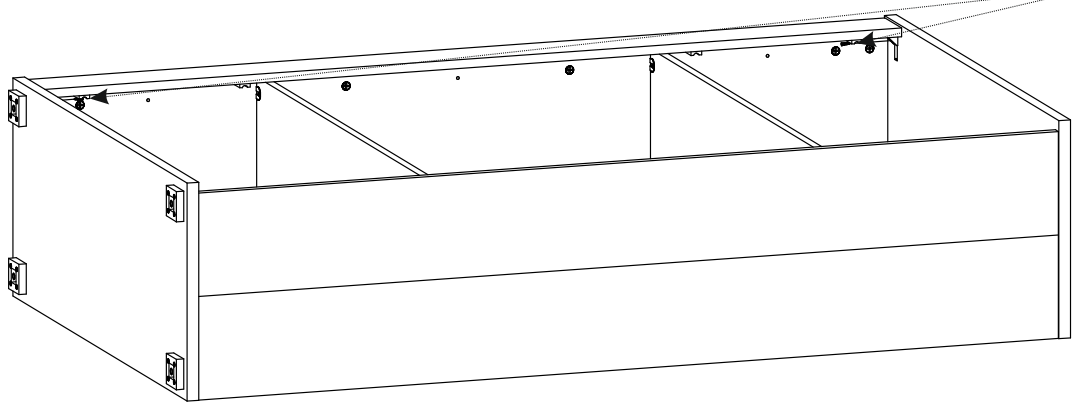
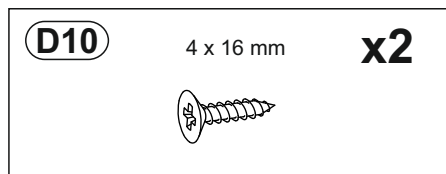
10 ▶ B




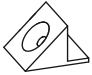
11 ▶ A

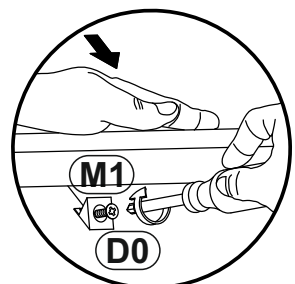
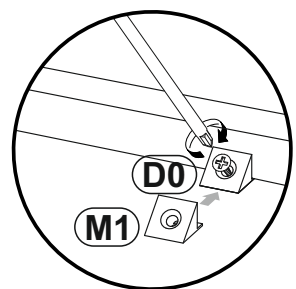
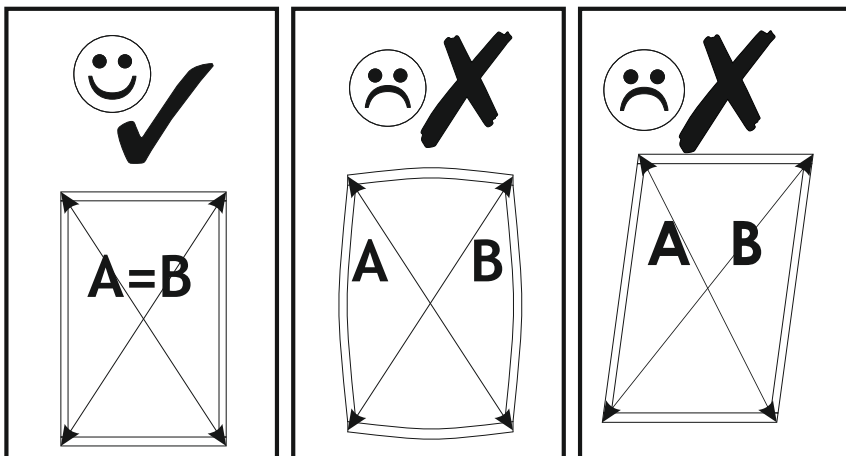
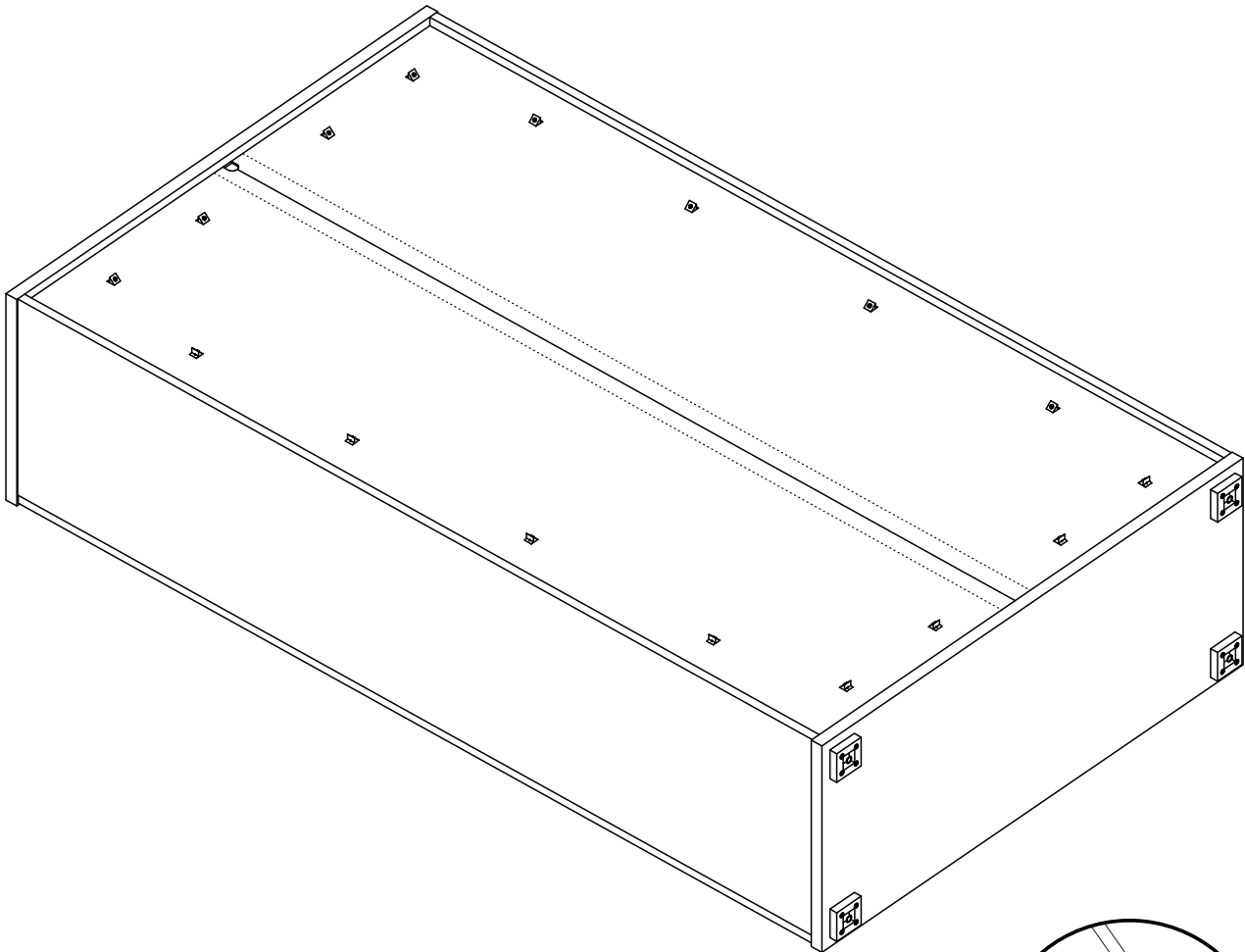


11 ▶ B

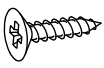
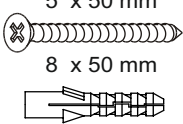
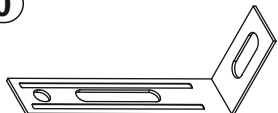


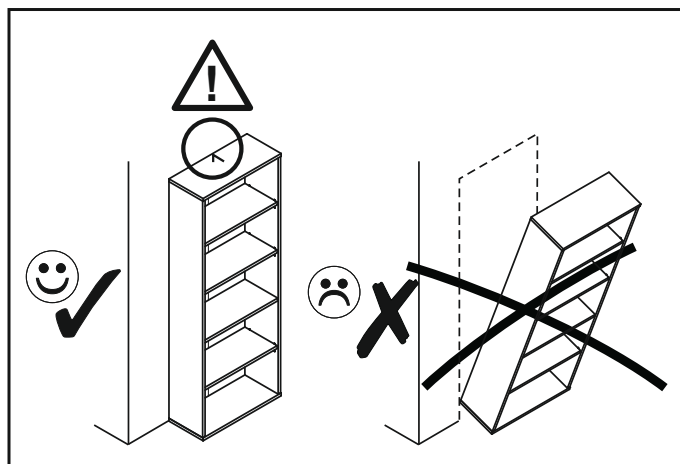
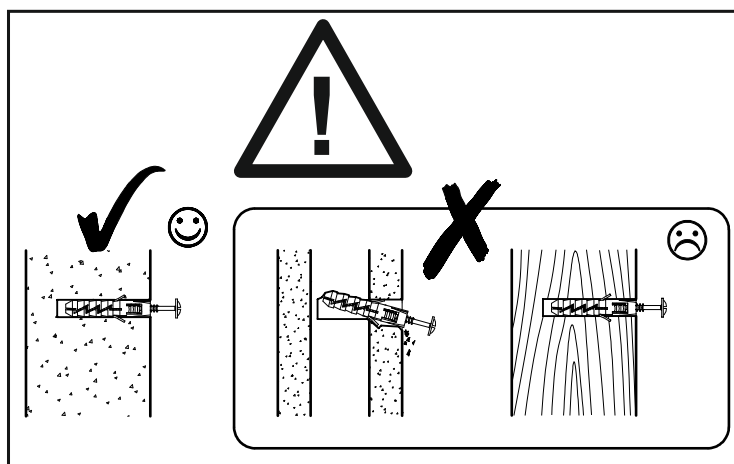
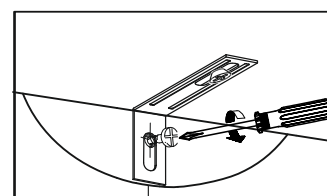
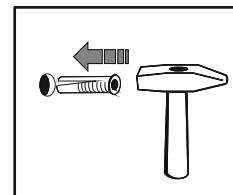
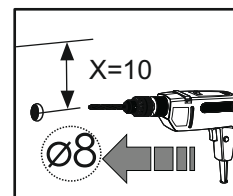
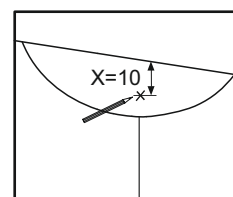
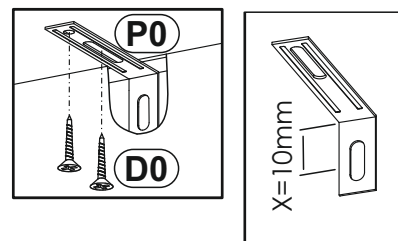
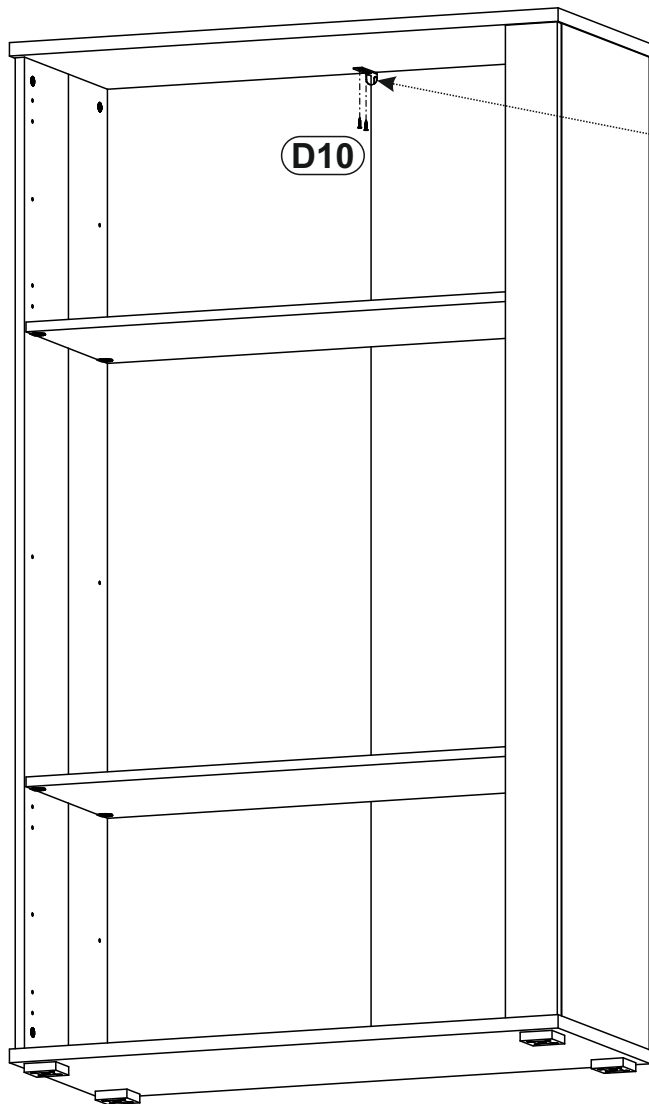
12 ▶

D0 3 x 15 mm 	x16	M1 	x16
---	------------	--	------------

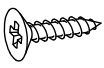
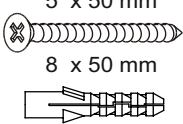
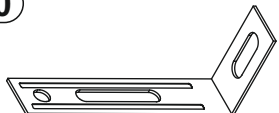


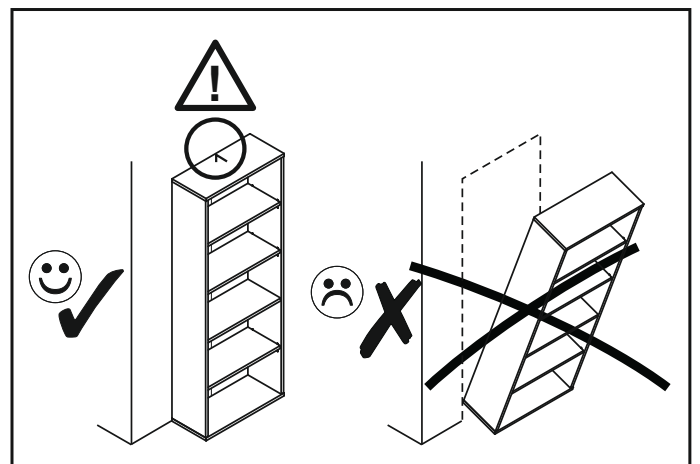
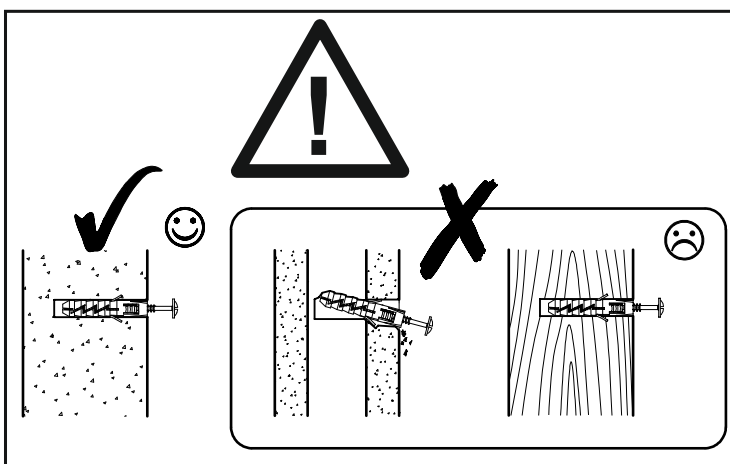
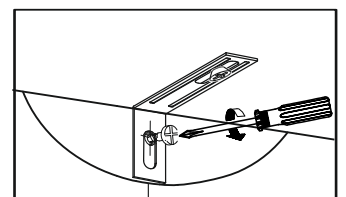
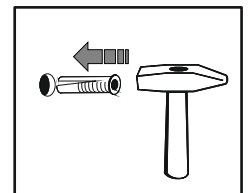
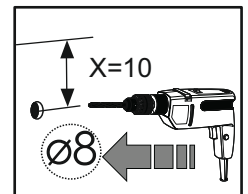
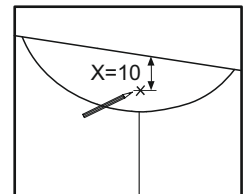
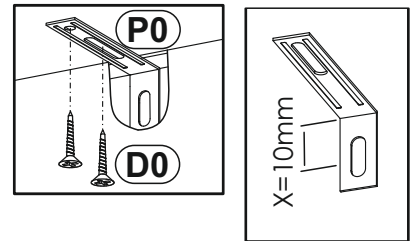
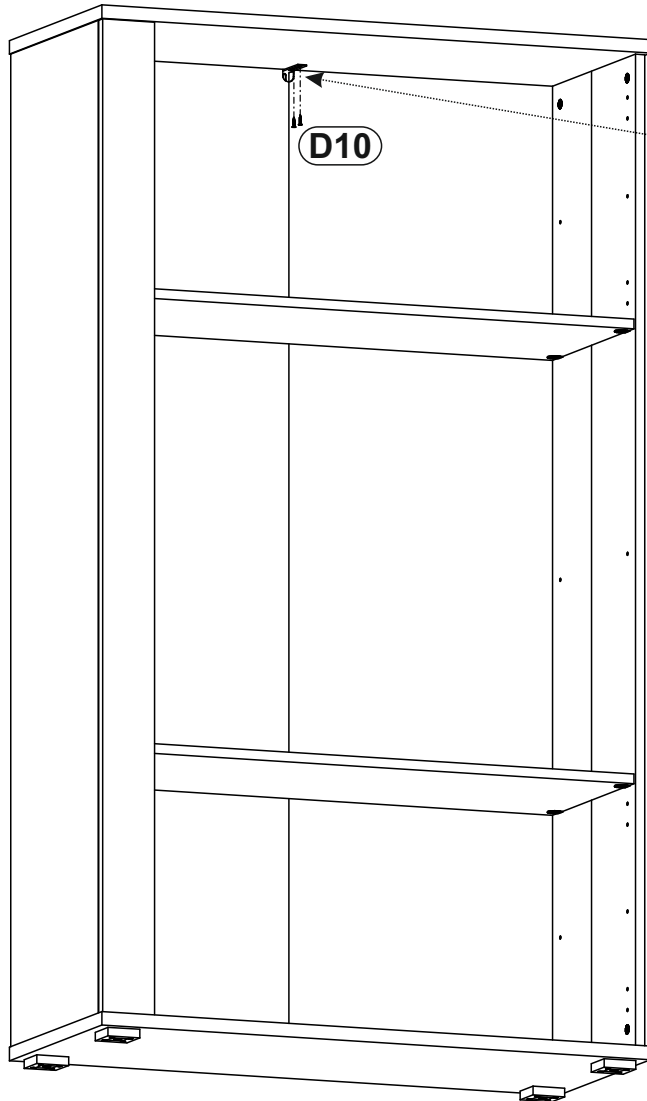
13 ▶ A

<p>D10 4 x 16 mm x2</p> 	<p>E0 5 x 50 mm 8 x 50 mm x1</p> 	<p>P0 x1</p> 
---	--	--

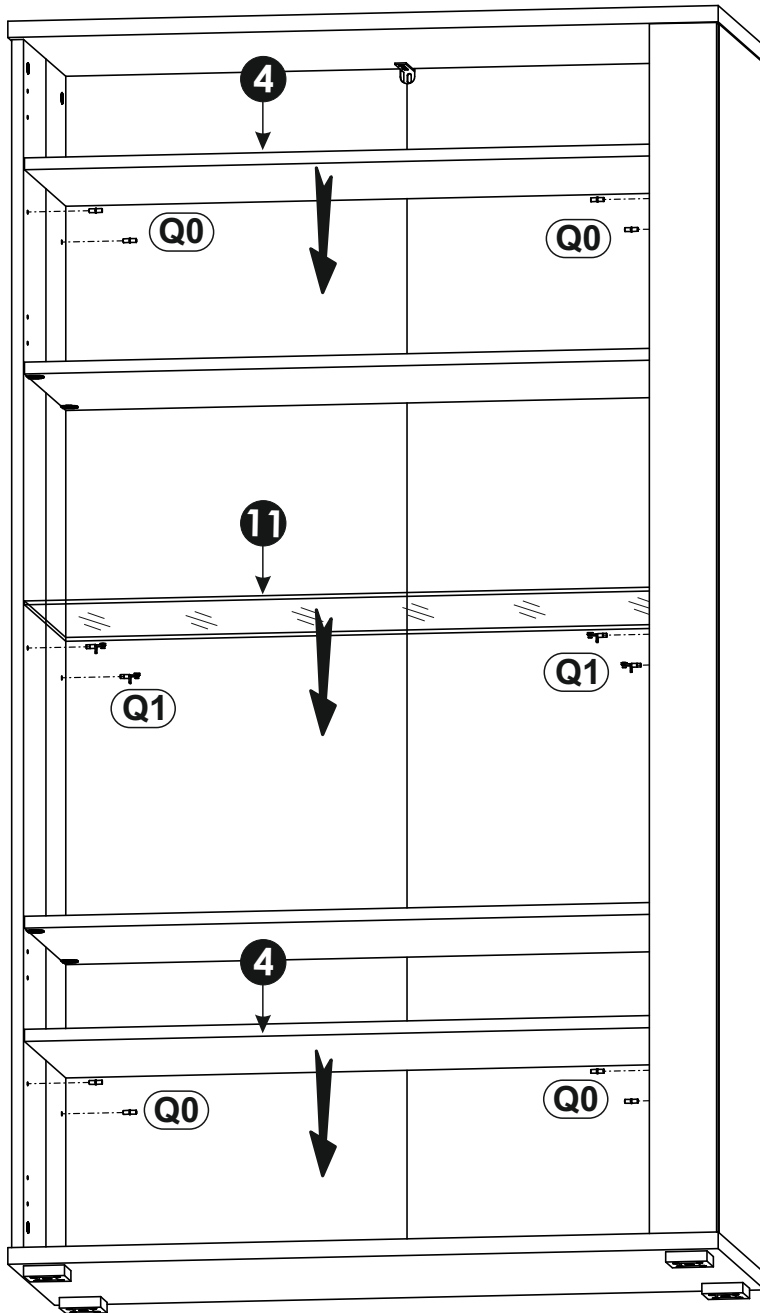
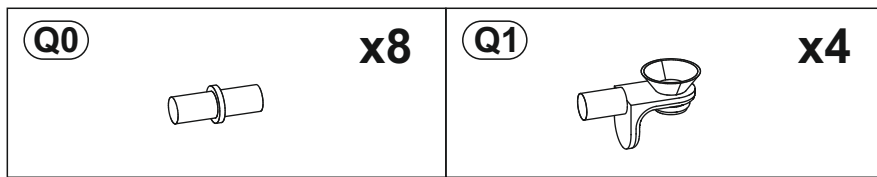


13 ▶ B

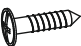

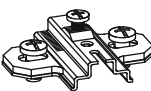
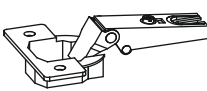


<p>D10 4 x 16 mm x2</p> 	<p>E0 5 x 50 mm 8 x 50 mm x1</p> 	<p>P0 x1</p> 
---	--	--

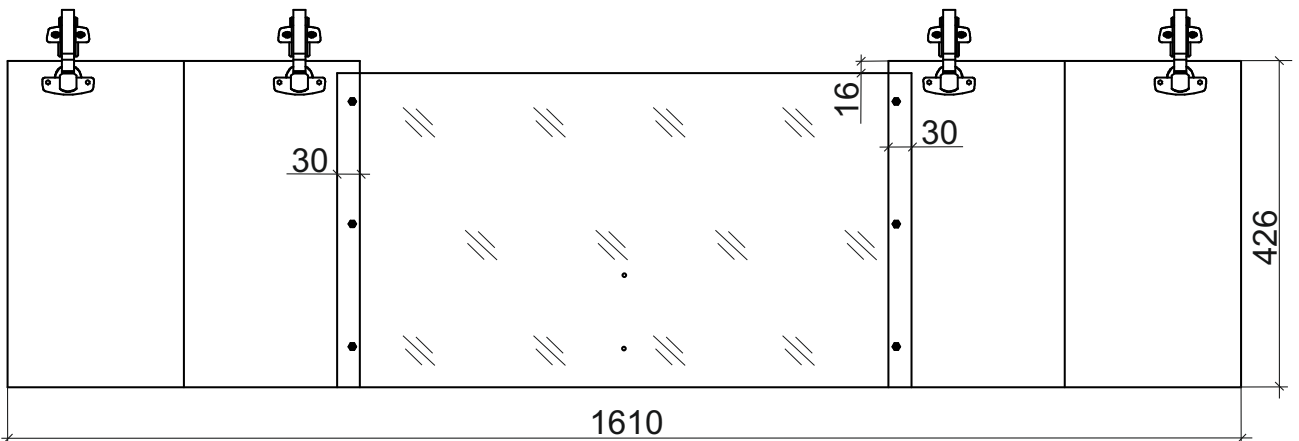
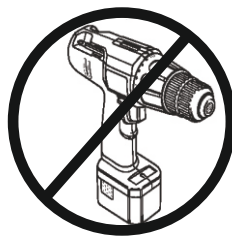
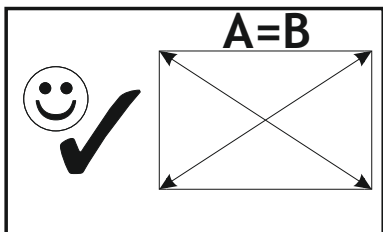
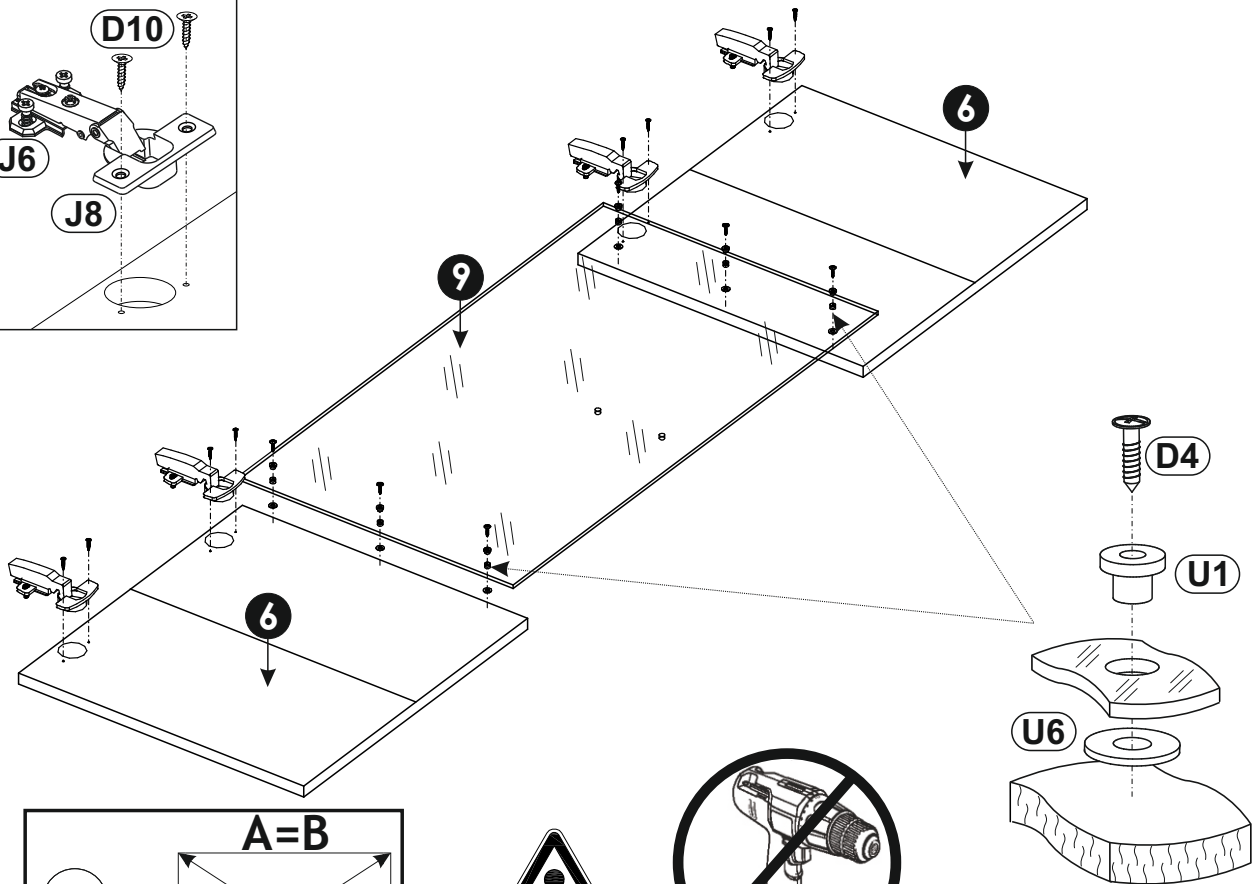
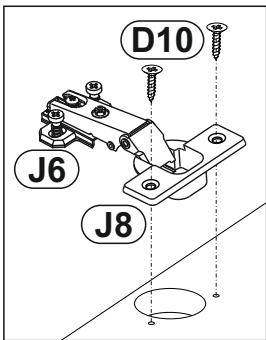


14 ▶

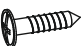

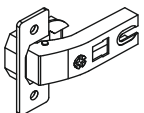




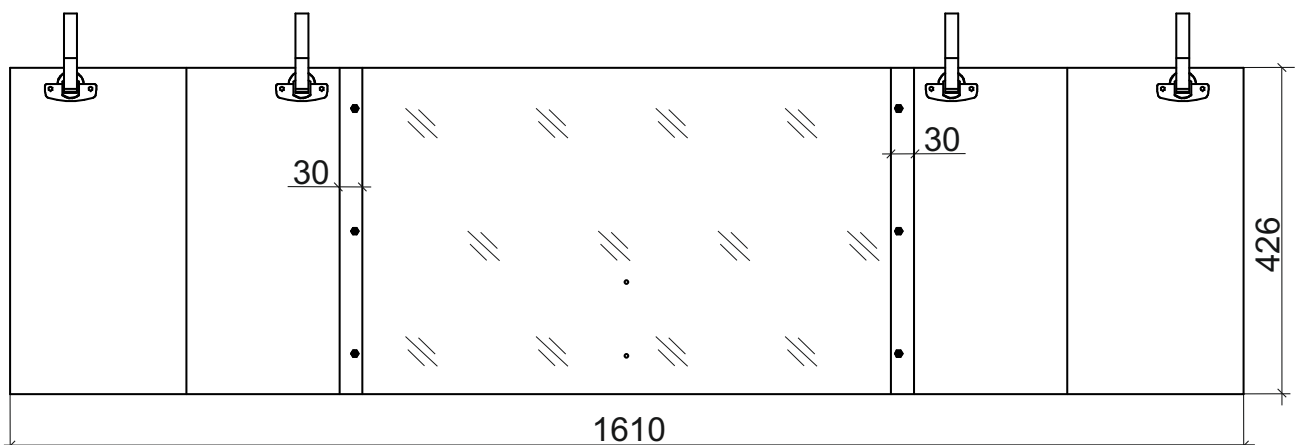
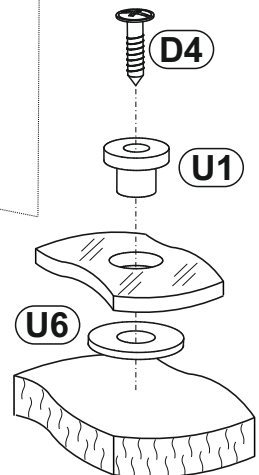
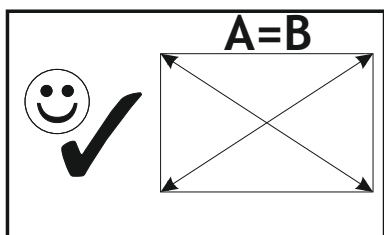
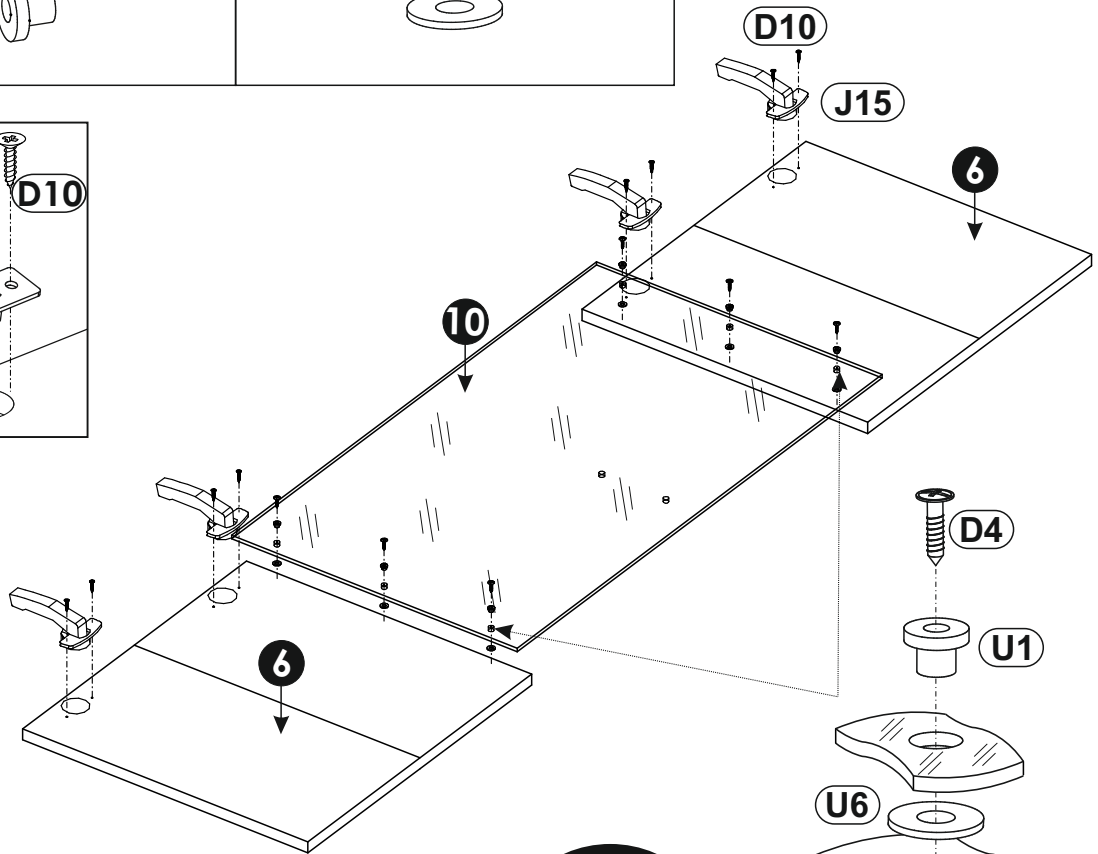
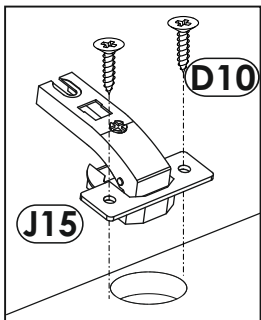
15 ▶

D4 3,5 x 18 mm 	x6	D10 4 x 16 mm 	x8	J6 	x4
J8 	x4	U1 	x6	U6 	x6






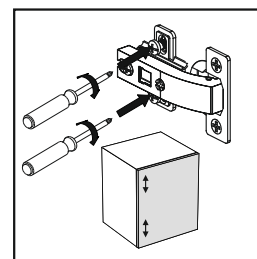
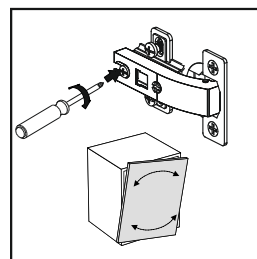
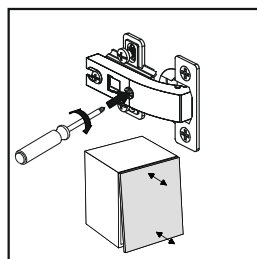
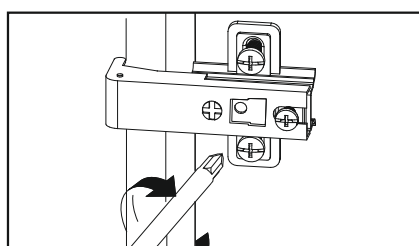
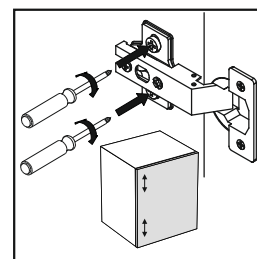
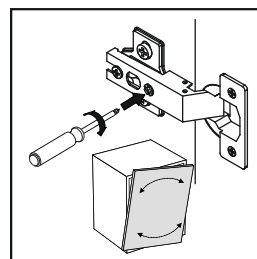
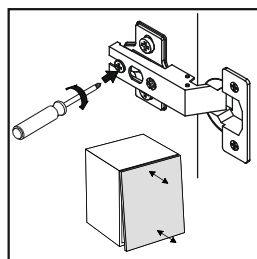
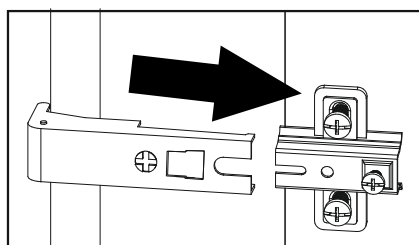
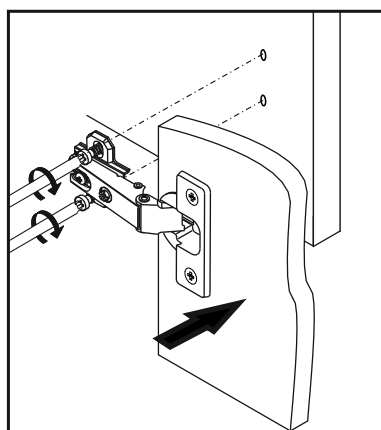
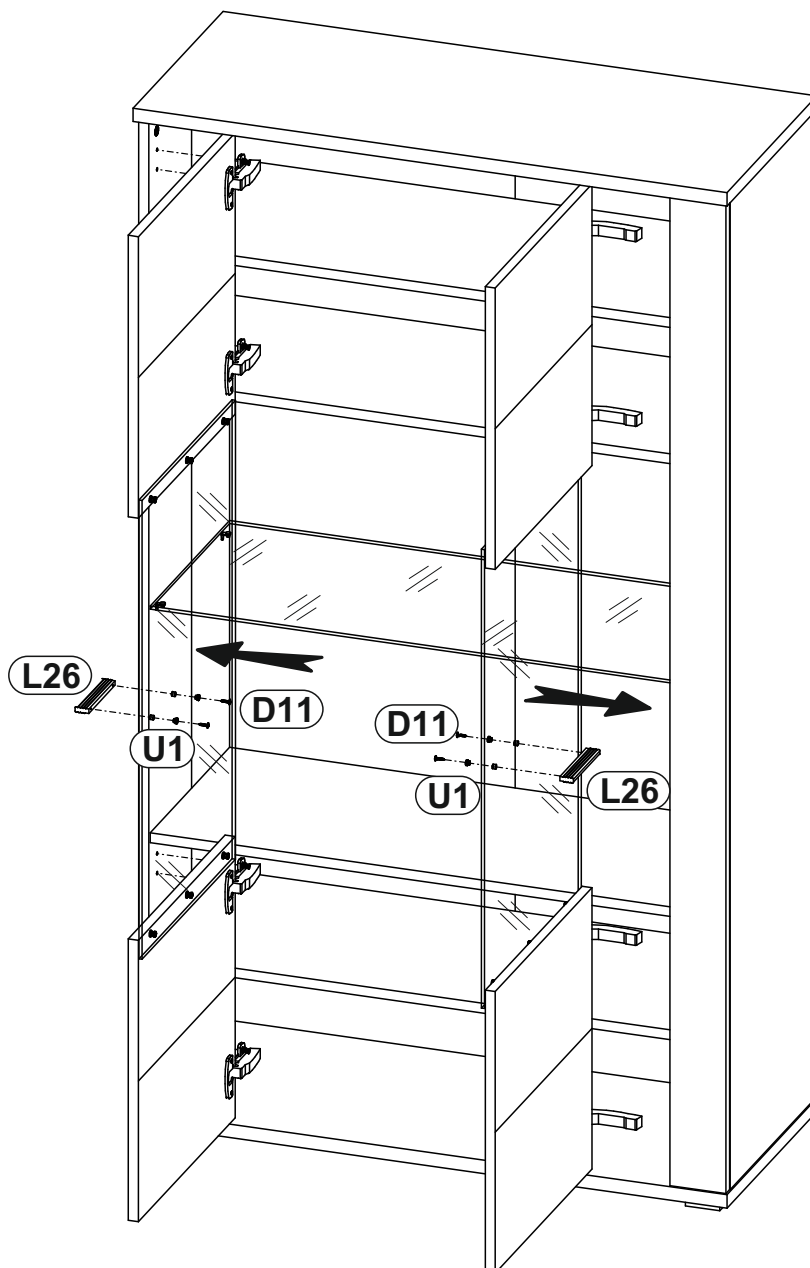
16 ▶

D4 3,5 x 18 mm 	x6	D10 4 x 16 mm 	x8	J15 	x4
U1 	x6	U6 	x6		





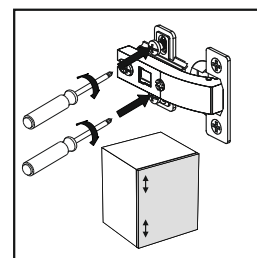
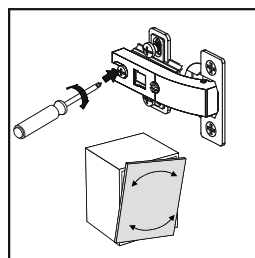
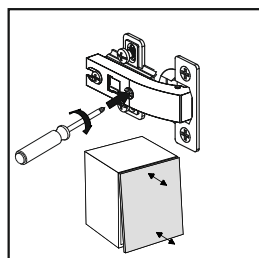
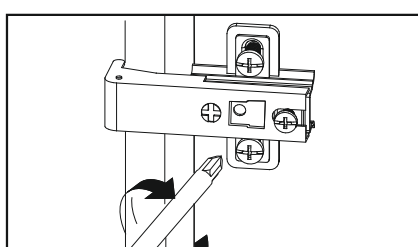
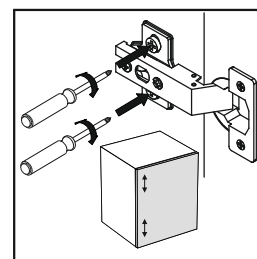
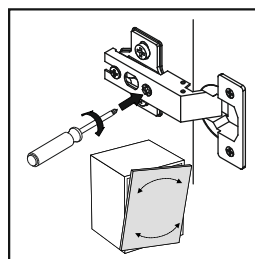
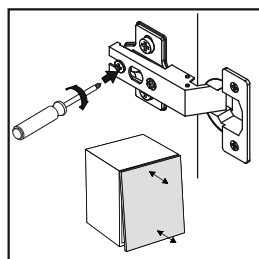
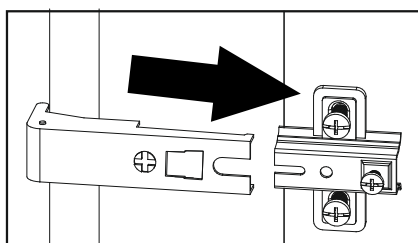
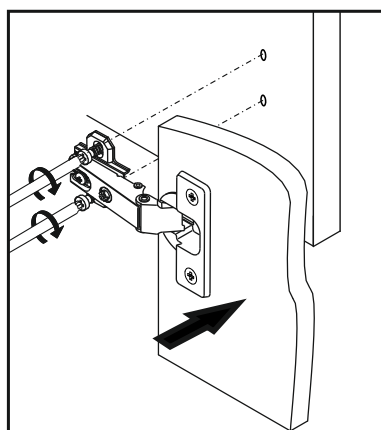
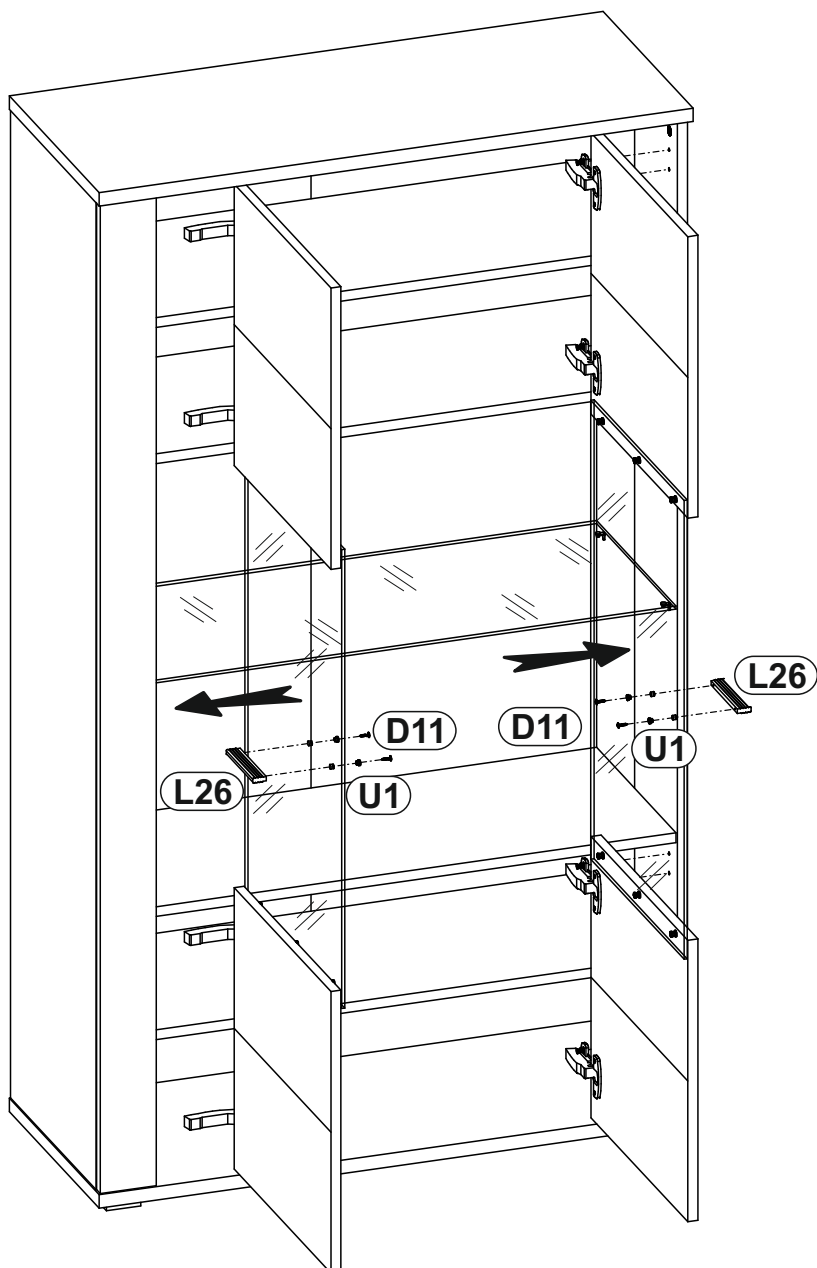
17▶A

D11	4 x 20 mm	x4
		
L26		x2
		
U1		x4
		

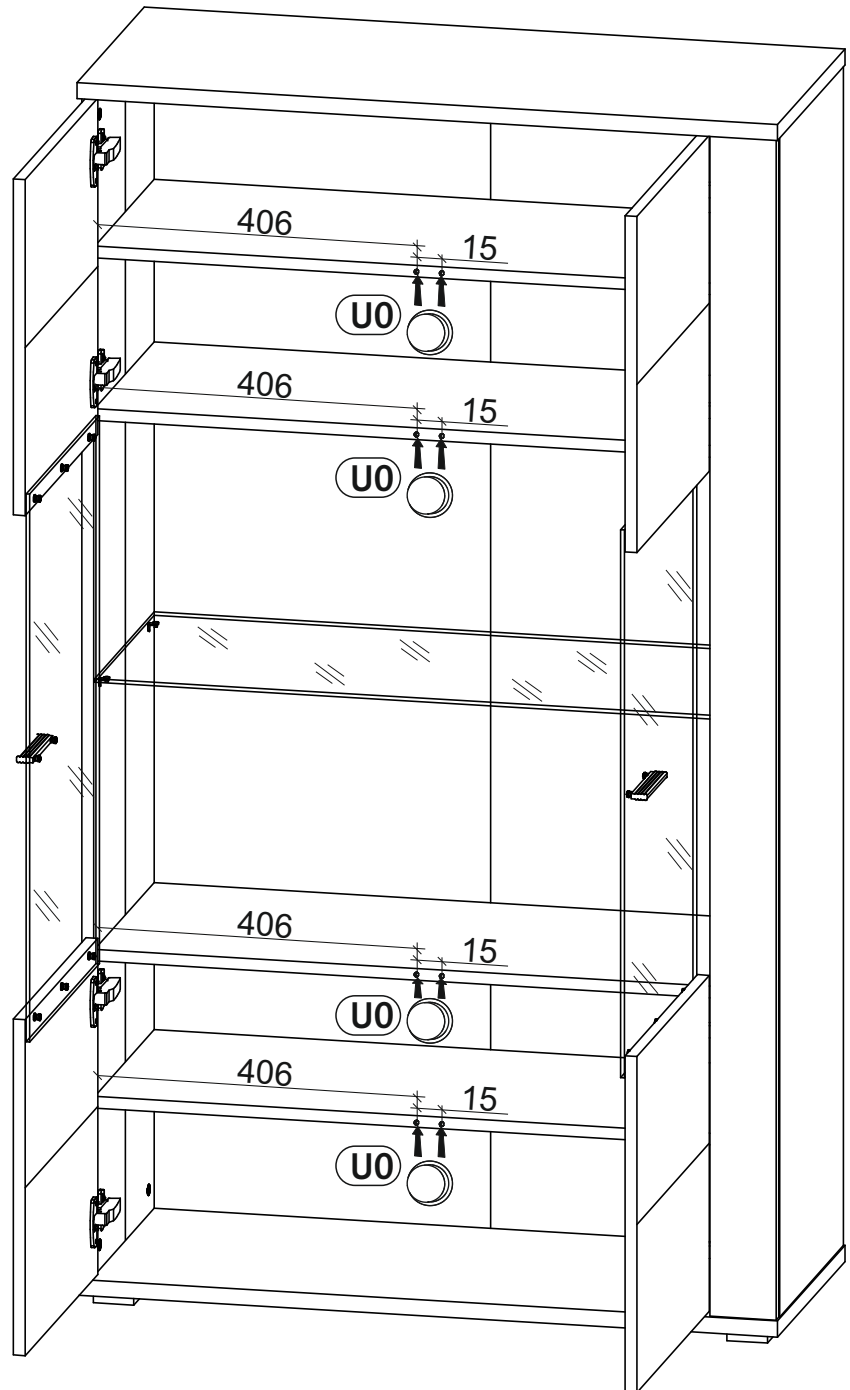
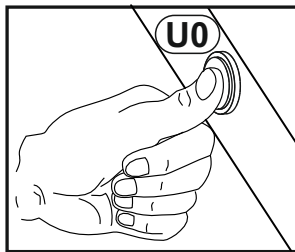
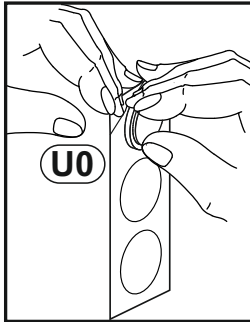
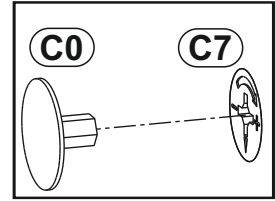
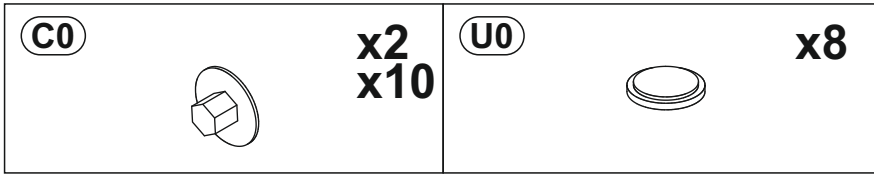


17 ▶ B

D11	4 x 20 mm	x4
L26		x2
U1		x4



18 ▶ A



18 ▶ B

