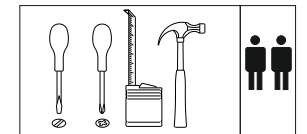
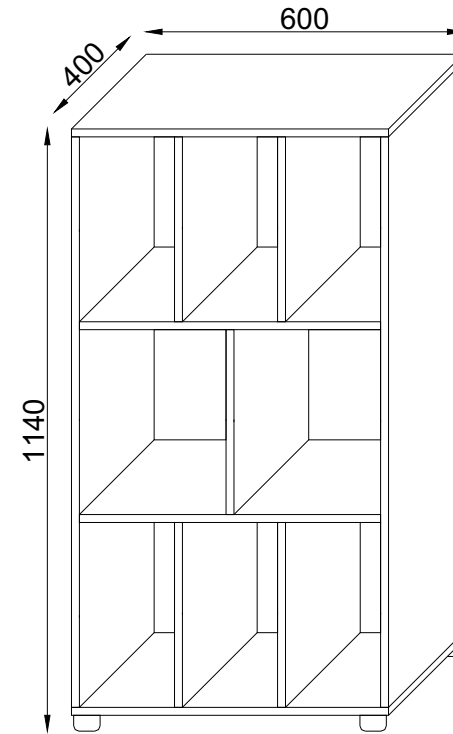
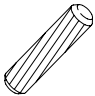
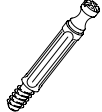
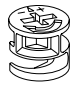
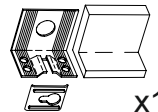
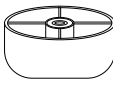

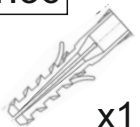
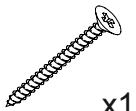
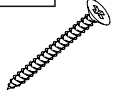




| | | | |
|---|----------|-------|---|
| 1 | Beschlag | | 1 |
| 2 | 600* | 400** | 2 |
| 3 | 1080* | 400 | 2 |
| 4 | 570* | 400 | 2 |
| 5 | 350* | 400 | 5 |
| 6 | 1105 | 297/3 | 2 |

SHALTINO Shelf



ASSEMBLY INSTRUCTIONS
WARNING! THIS PRODUCT SHOULD BE ASSEMBLED BY ADULTS ONLY

| | | | | | |
|---|--|--|---|---|---|
| 1.14  x24 | 1.16  x37 | 1.17  x37 | 1.18  x1 | 1.11  x4 | 1.5  3,5x16mm x11 |
| 1.36 8x40mm  x1 | 1.33 4x50mm  x1 | 1.49 3,5x30mm  x4 | 1.30  x37 | 1.3  0.03kg | |

